

# Recliner Assembly Instructions

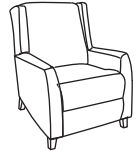
Your recliner comes packaged in one box.

**DO NOT use any sharp objects to open plastic wrapped components as damage to product or components may result.**

Carefully remove all of the components from the packaging and set aside for assembly. Assemble on a soft surface to prevent scratching the finish.

Estimated Assembly Time in Minutes

★ <15   ☆ <45   ☆ 60+



## Parts List

**A** 1 x Back



**B** 1 x Seat



**C** 1 x Left Back wing



**D** 1 x Right Back wing



\* **E** 2 x Front Legs



\* **F** 2 x Back Legs



\* **G** 4 x Plastic Washers



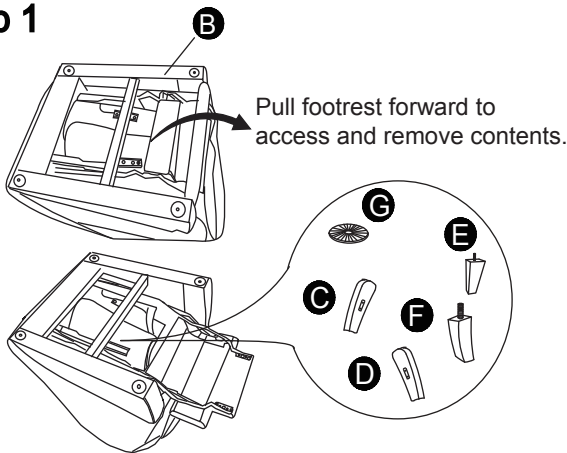
\* Replaceable Parts



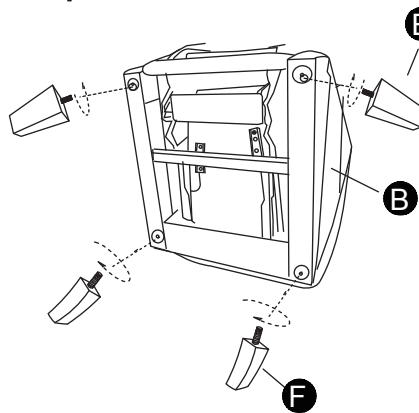
Legs and back wings can be found under the seat.

## Assembly

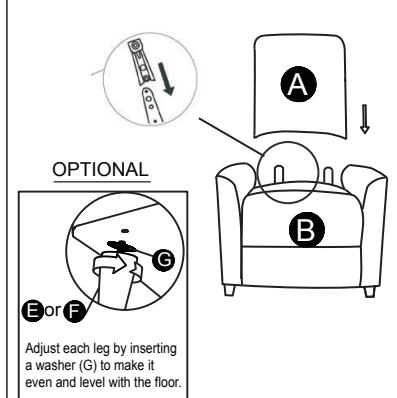
### Step 1



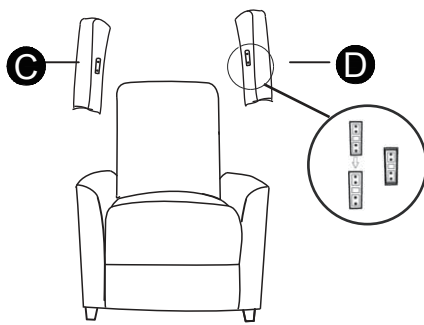
### Step 2



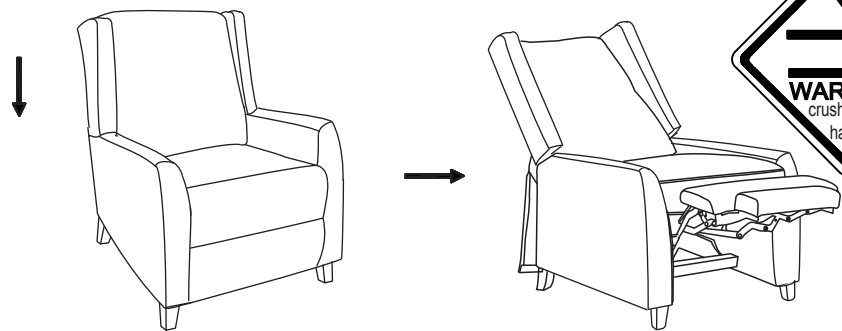
### Step 3



### Step 4



### Step 5



Your recliner style may differ from images. Care for your furniture by periodically tightening all legs.

About your furniture piece:

- Softening of foam is natural and will happen over time with use.
- Fabric will fade or discolor in direct sunlight. Minimize exposure to direct sunlight to extend the life of your furniture.
- Wood grain, knots, streaks, and color variation occur naturally in wood and are not considered defects.

**CAUTION:** Tighten all components securely before use. Failure to do so may result in personal injury.

Customer Support: 866-238-0531  
Mon-Fri 8:00am - 4:30pm CST  
customerservice@furniturequestions.com