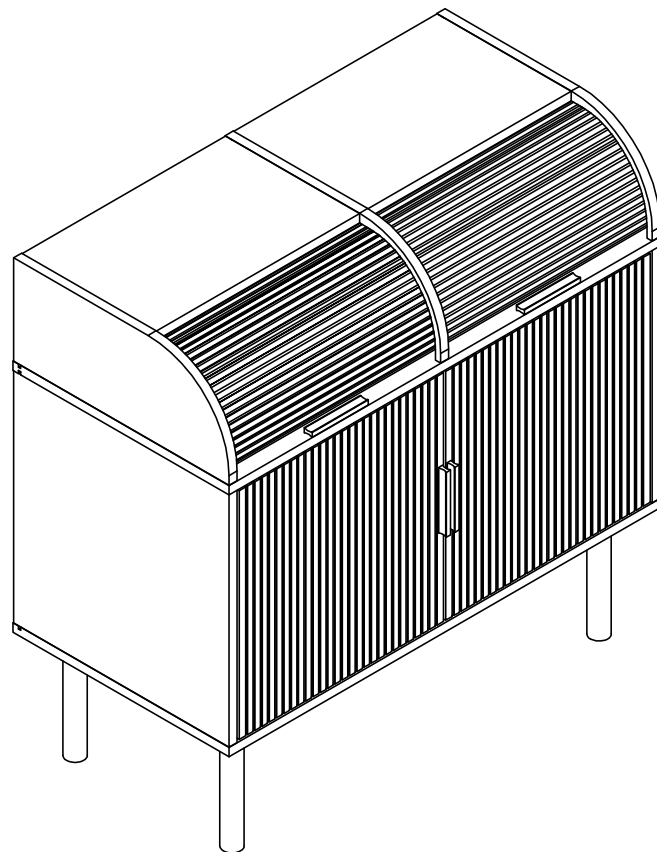


Installation Instruction



Assembling

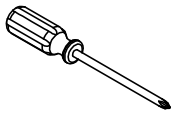
Estimated time for assembly



45 : 00

What you need

- Use the packaging carton as a working surface to prevent product damage during assembly
- Phillips head screwdriver



Weight Limitation

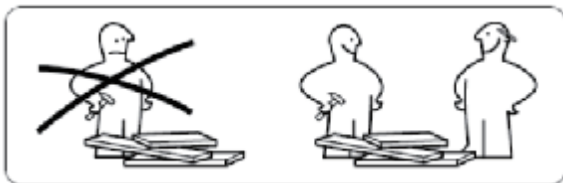


100

lbs table top

| 35

lbs per

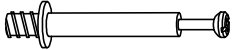


What' included

Code	Description	Qty
A	Cam Bolt M6X35MM	12
B	Cam Lock 15X12MM	12
C	Wooden Dowel M8X30MM	16
D	Screw M4X40MM	12
E	Screw M3.5X14MM	18
F	Anchor	2
G	L-shaped metal sheet	2
H	Screw M3.5X14MM	42
I	The back button	16
J	Hinge	4
K	Circular hole Decals	12
L	Metal handle	4
M	Cam Bolt M4X15MM	4
N	Cam Bolt M4X8MM	4
O	Wooden Dowel M8X50MM	1
P	Ron absorption	1
Q	Back slot	1

The Hardwares

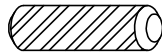
(A)



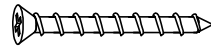
(B)



(C)



(D)



(E)



(F)



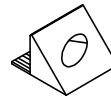
(G)



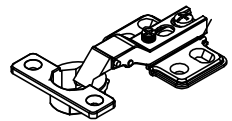
(H)



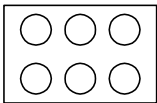
(I)



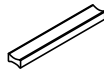
(J)



(K)



(L)



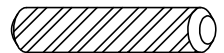
(M)



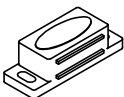
(N)



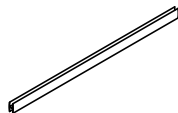
(O)



(P)



(Q)



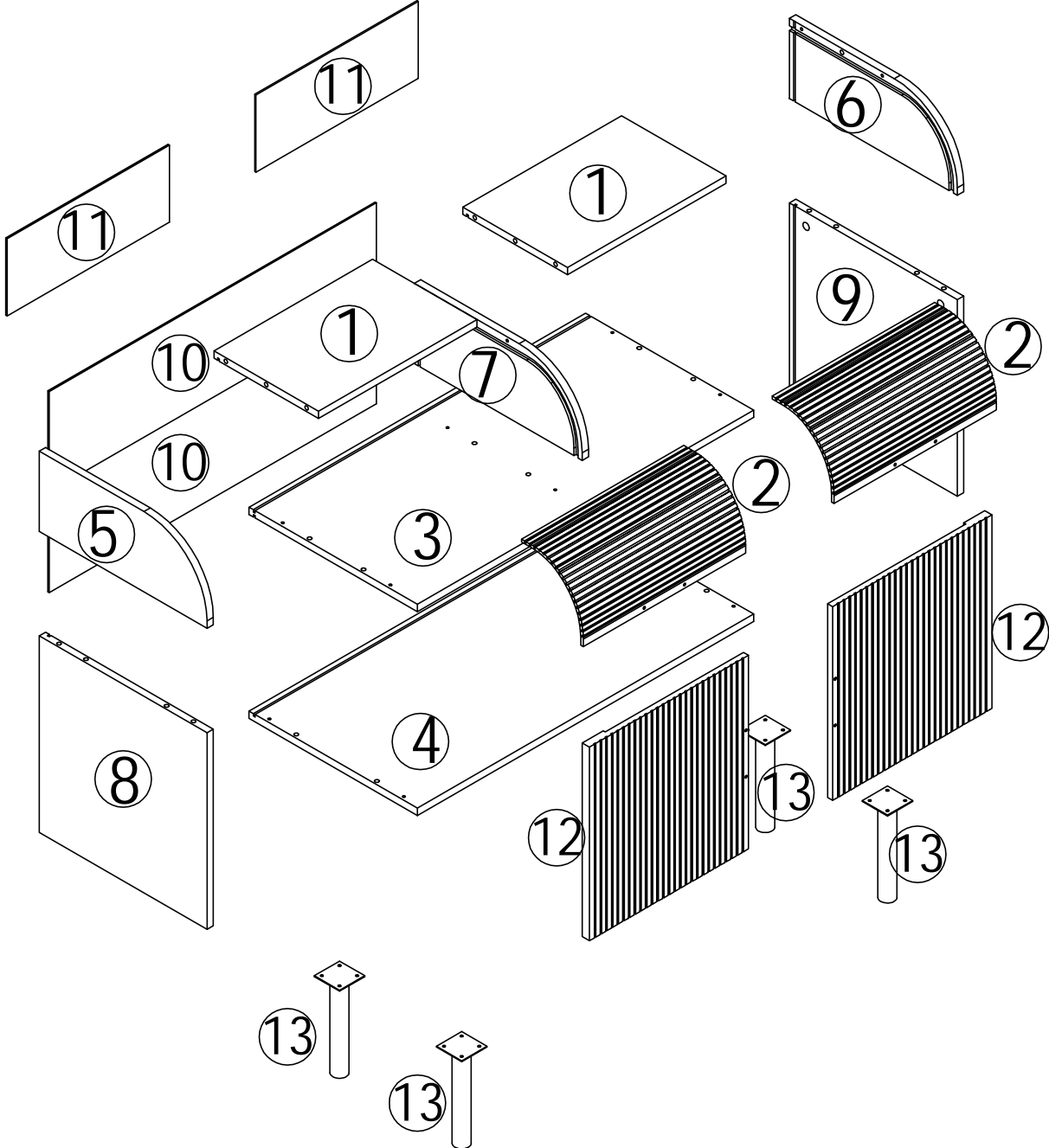
IMPORTANT:

1. Do not tighten bolts / screws completely until all bolts / screws are lined up and inserted into holes.
2. Do not over tighten screws and bolts to avoid stripping
3. Please use hand tools to assemble this product. Do not use power tools.

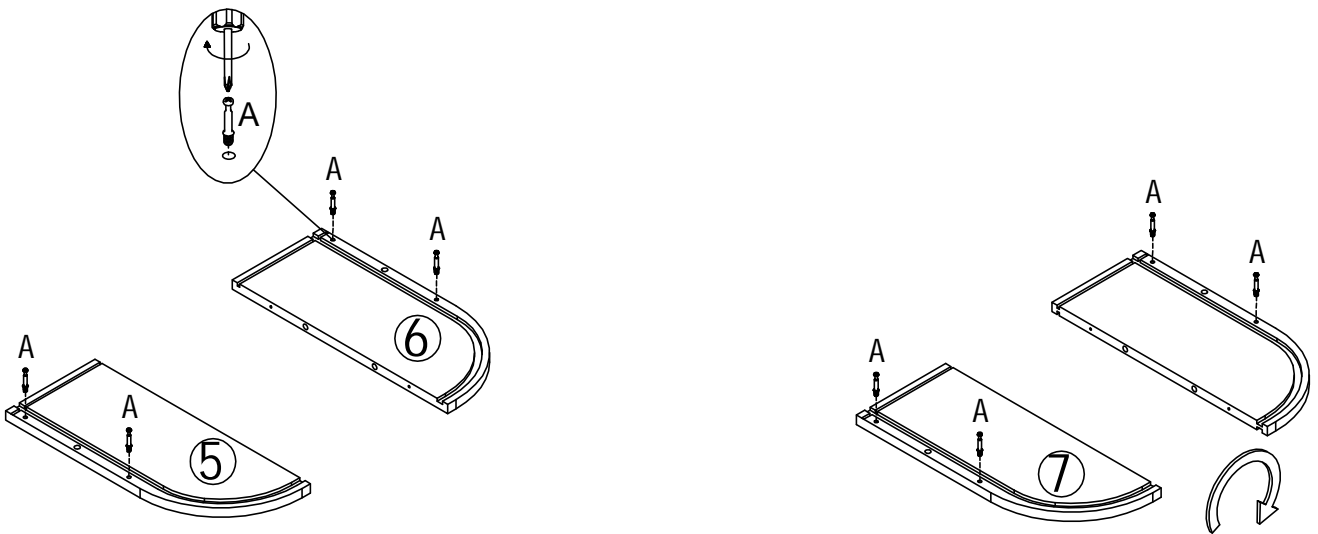
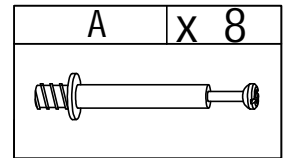
Included Accessories

Code	Description	Qty
1	Cabinet Top	2
2	Sliding door	2
3	Laminated plate	1
4	Bottom Panel	1
5	Small left panel	1
6	Small right panel	1
7	Middle Vertical Plate	1
8	Large left panel	1
9	Large right panel	1
10	Large Backboard	2
11	Small Backboard	2
12	Door	2
13	Iron foot	4

The Accessoriess

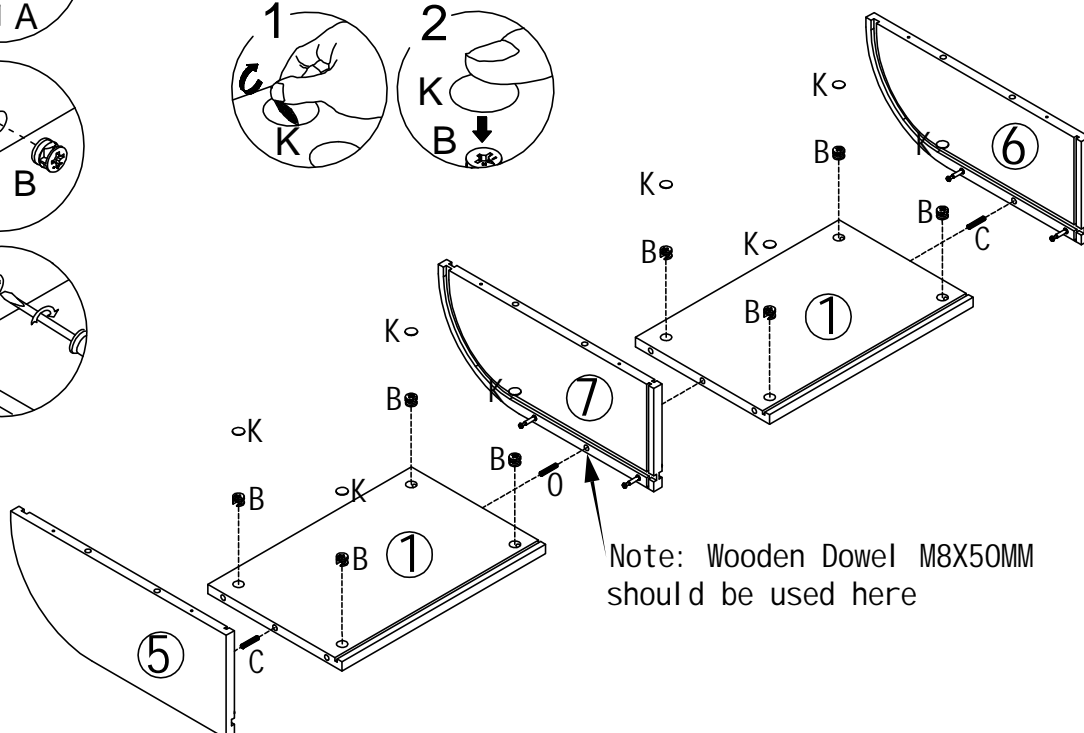
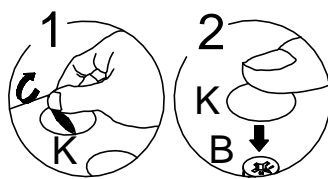
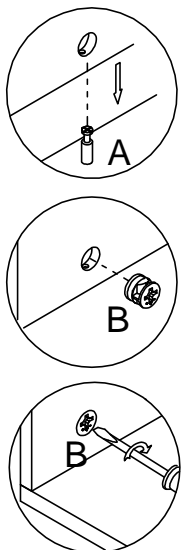
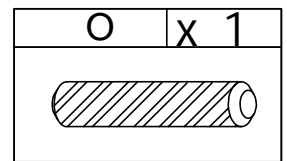
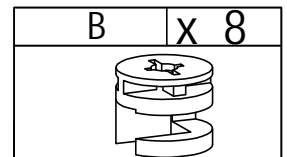
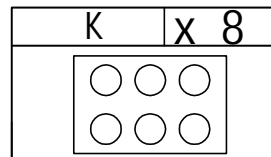
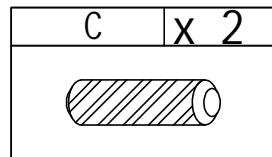


Step 1





Flip board 7

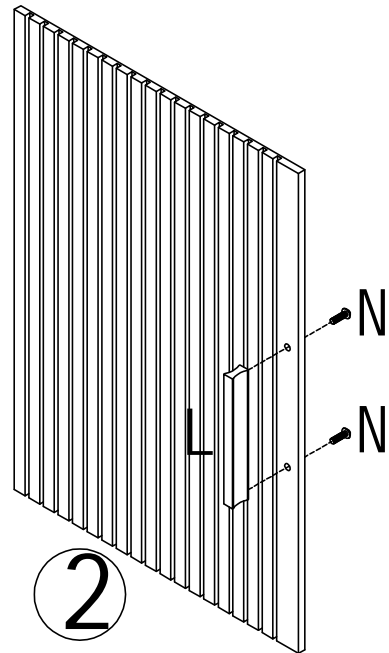
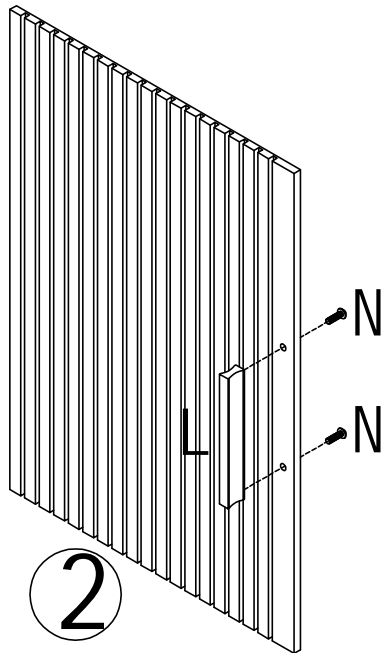
Step 2



Note: Wooden Dowel M8X50MM should be used here

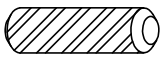
Step 3

L	x 2	N	x 4
			

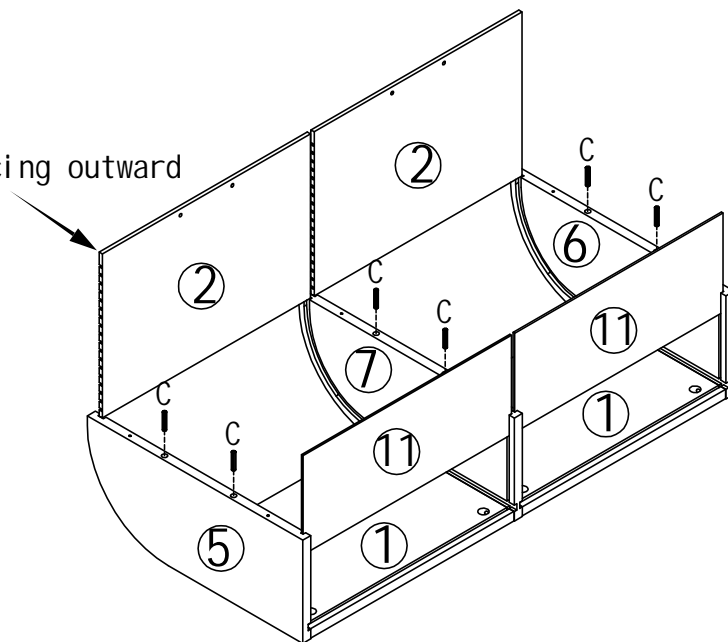


Step 4


Note: Install No. 11 first and then No. 2

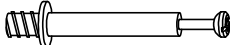
C	x 6
	

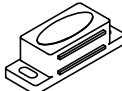
Uneven side facing outward

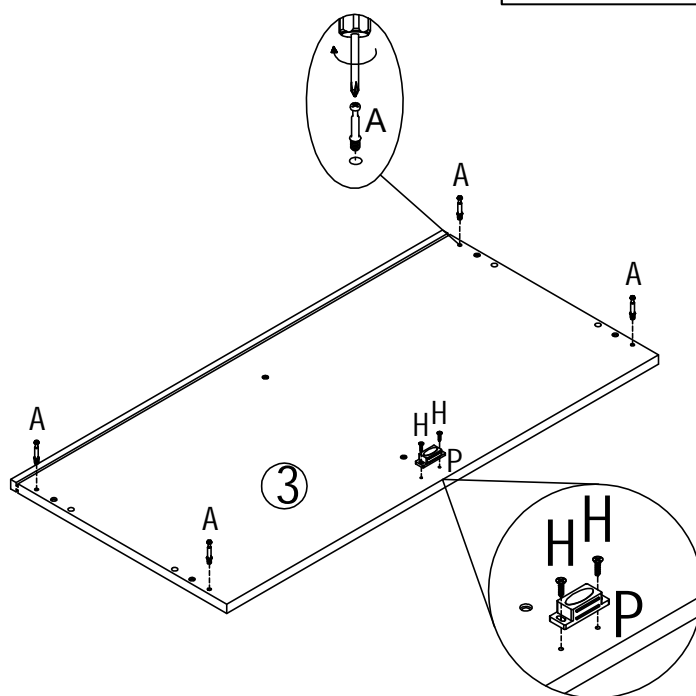


Step 5

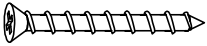
H	x 2
	

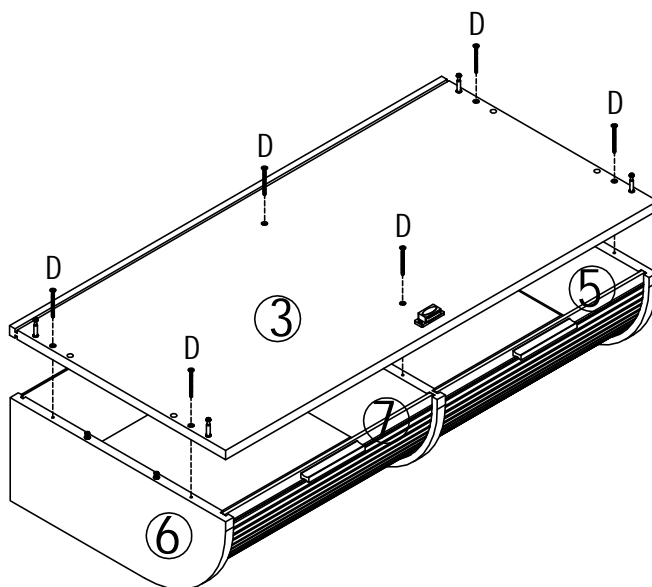
A	x 4
	

P	x 1
	

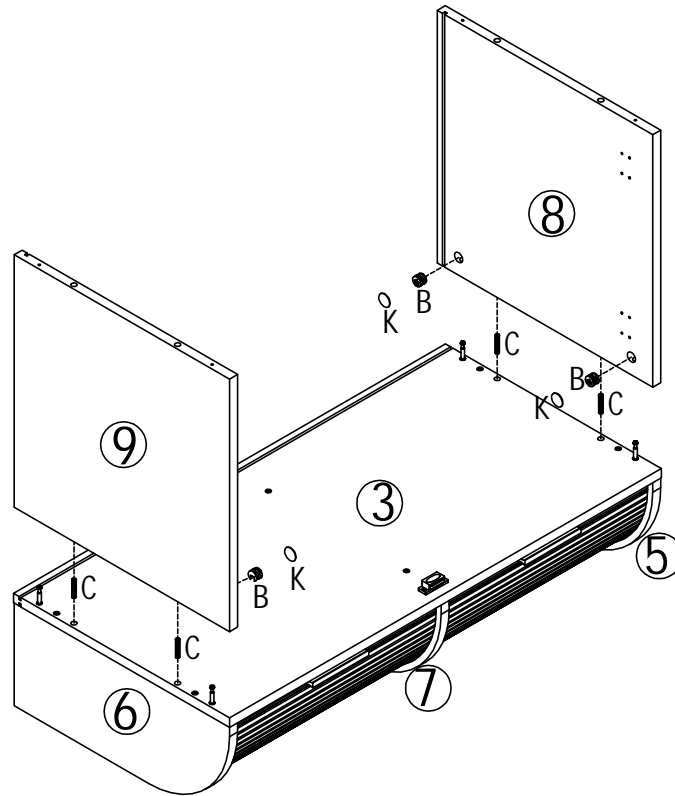
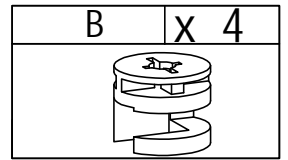
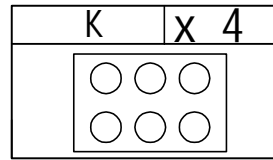
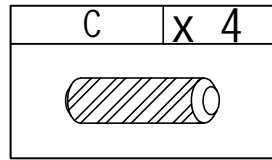


Step 6

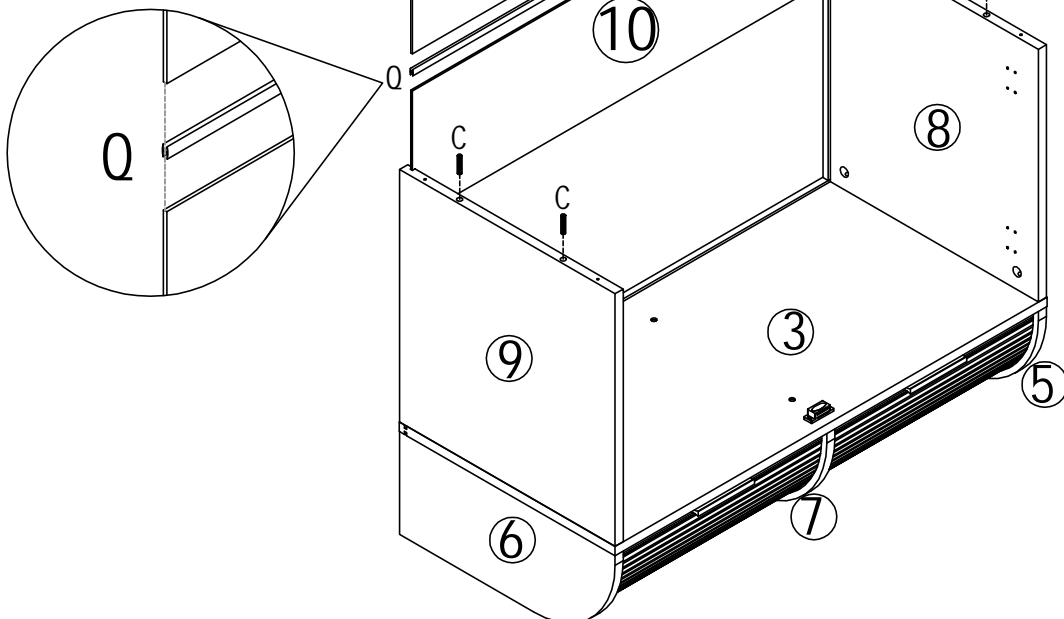
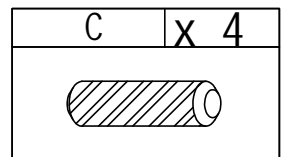
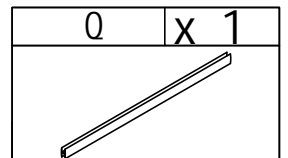
D	x 6
	




Step 7

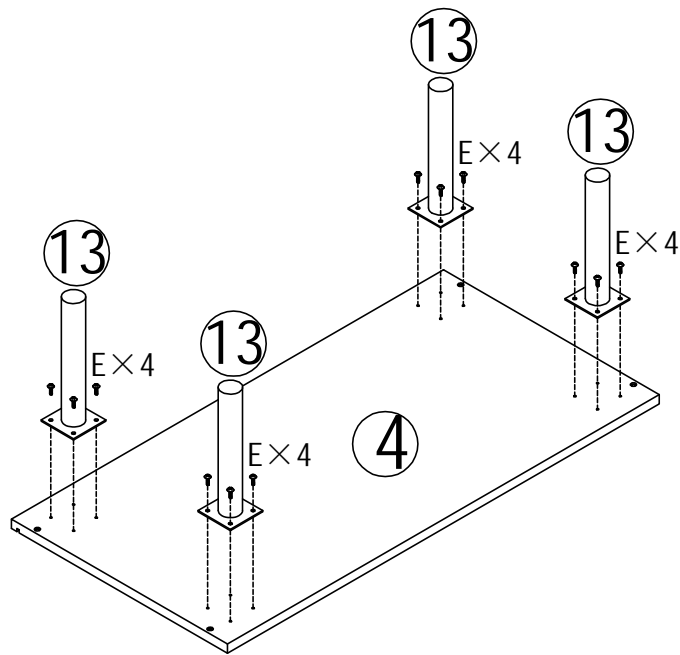


Step 8

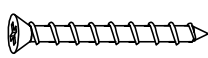


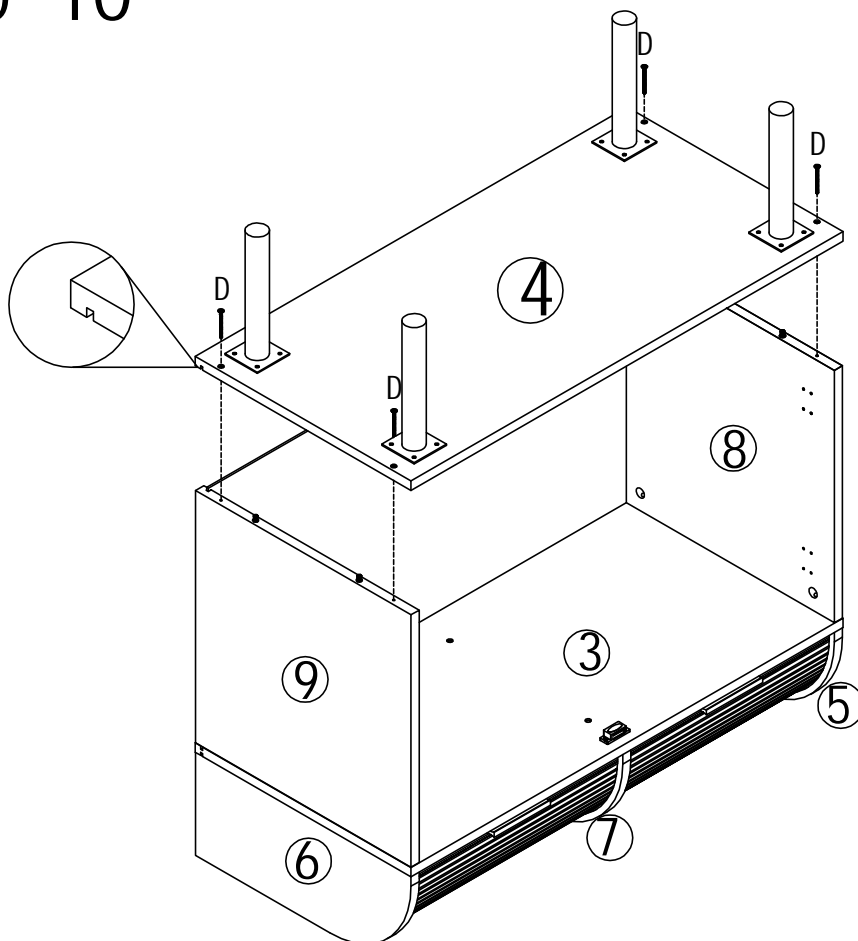
Step 9

E	X 16
	




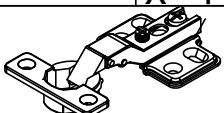
Step 10

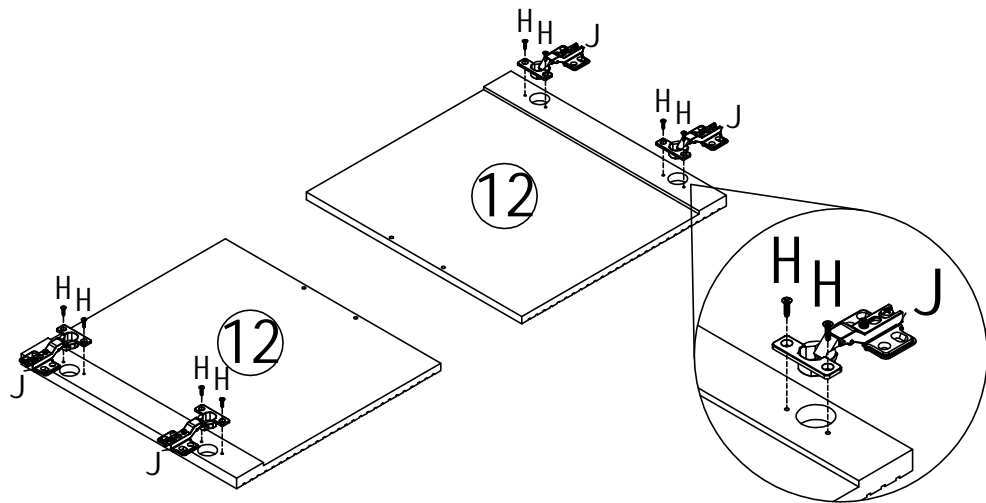
D	X 4
	



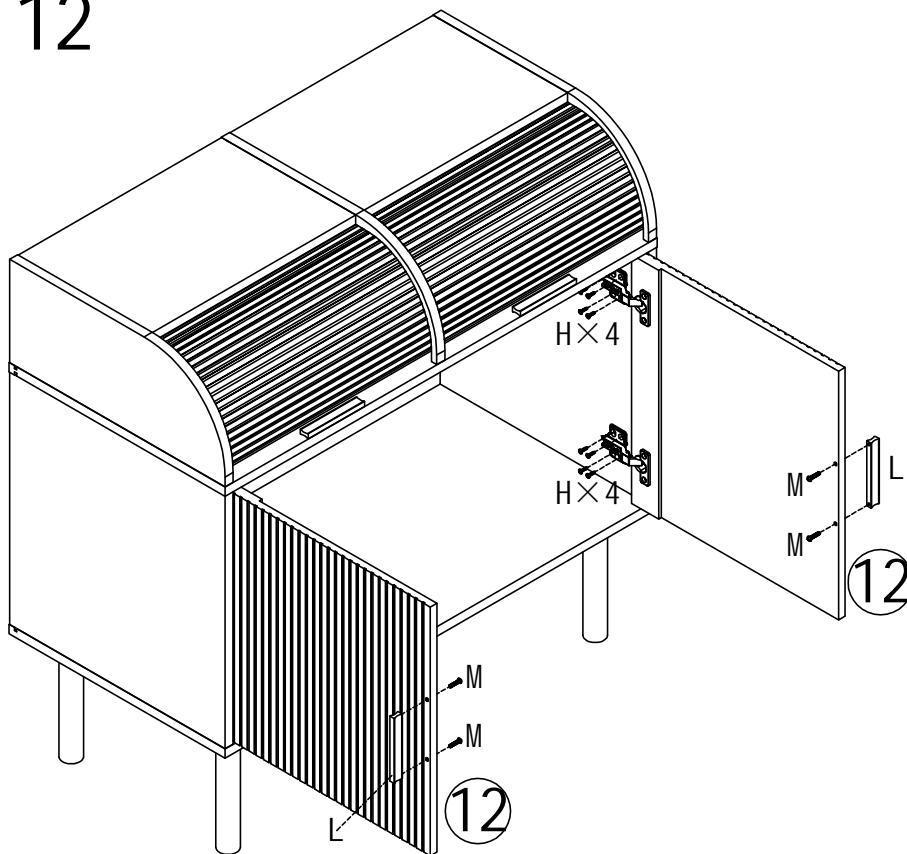
Step 11


H	x 8
	


J	x 4
	




Step 12

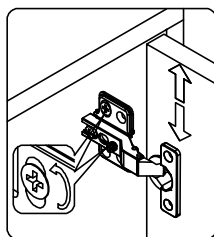


H	x 16
	

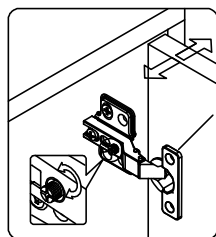
M	x 4
	

L	x 2
	

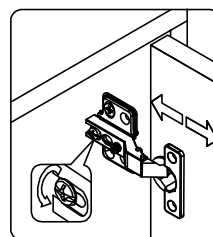
How do I get the two doors to align flat by adjusting the hinges?



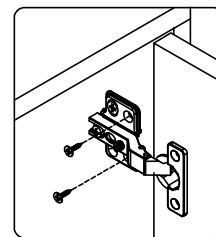
1. Adjust the screws shown in Figure 1 to adjust the door up and down.



2. Adjust the screws shown in Figure 2 and pull the door back and forth so that it can be opened smoothly.




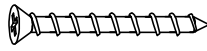
3. Adjust the screws shown in Figure 3 to adjust the door left and right to the right position.




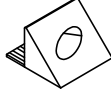
4. After the adjustment is complete, install the remaining two screws to secure the door in place.


Step 13

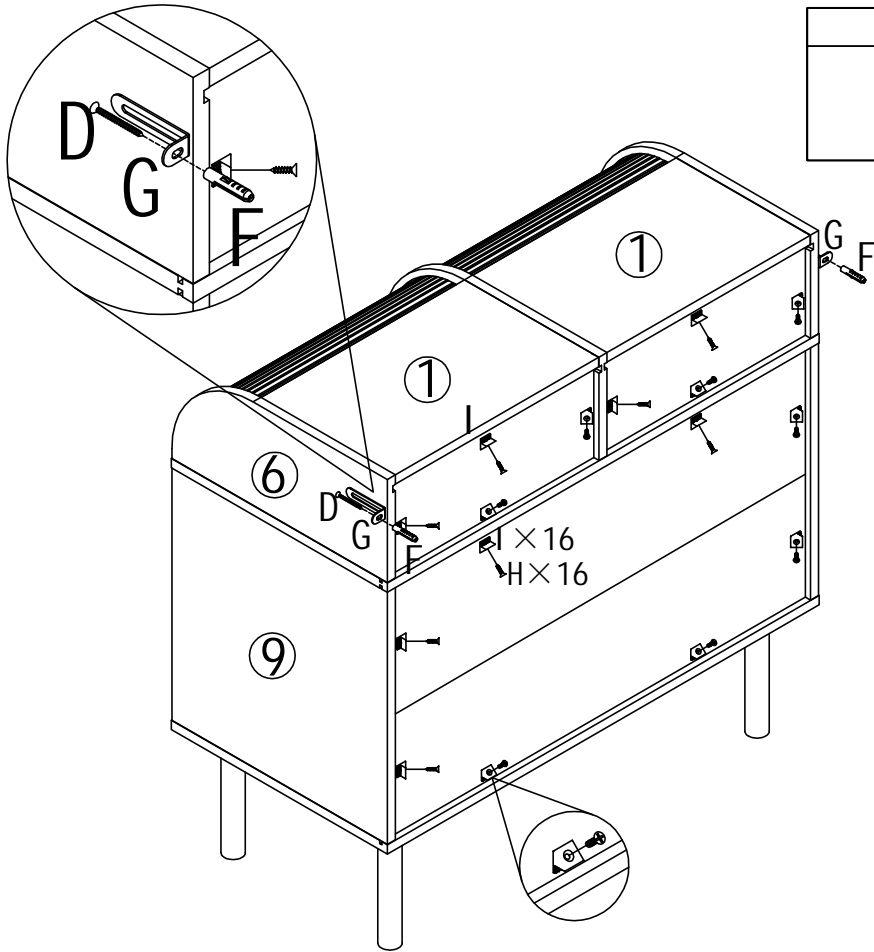
G	X 2
	

D	X 2
	

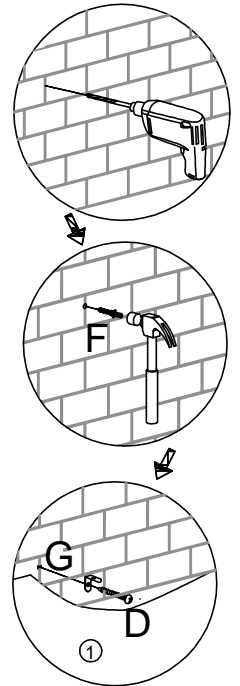
H	X 16
	

I	X 16
	

F	X 2
	



drill hole in wall



Step 14

E	X 2
