

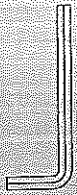
M6x 35mm x 6pcs



M6x 40mm x 4pcs



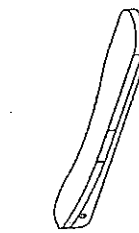
M4x 30mm x 4pcs



M4x 80mm x 2pcs



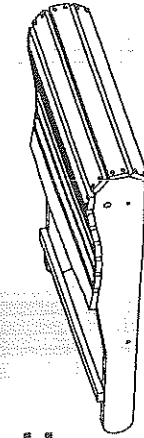
Φ18/6 x 2mm x 10pcs



x 1pc

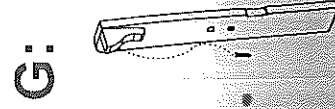


x 1pc



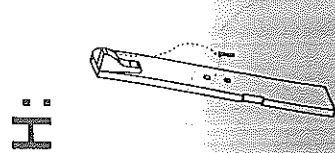
x 1pc

C:



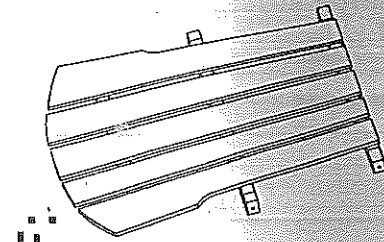
x 1pc

G:



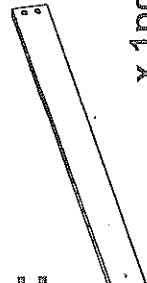
x 1pc

H:



x 1pc

F:



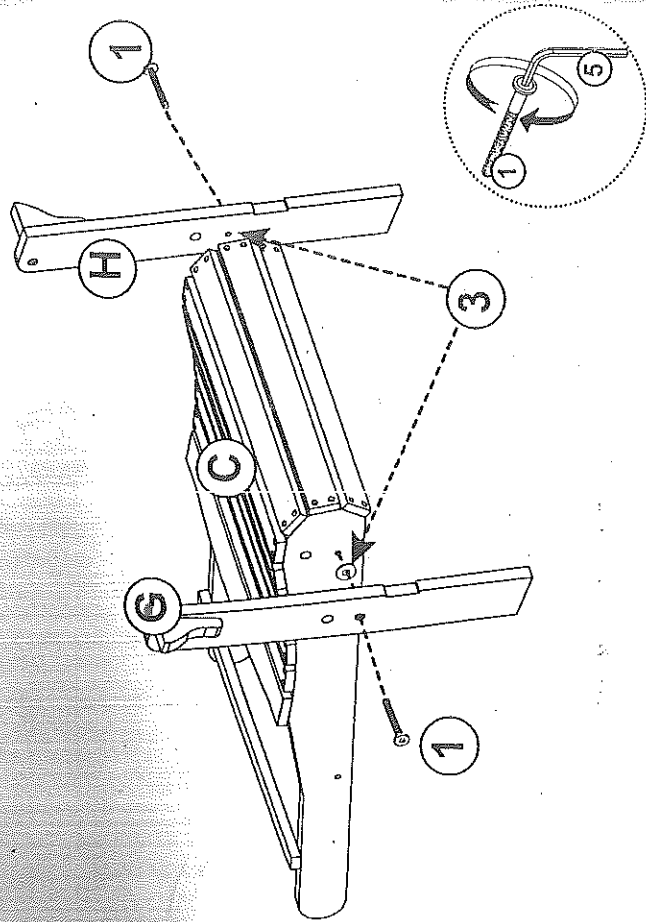
x 1pc

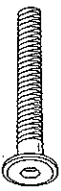
E:




x 2pcs

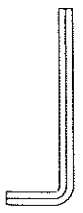
Step 1:



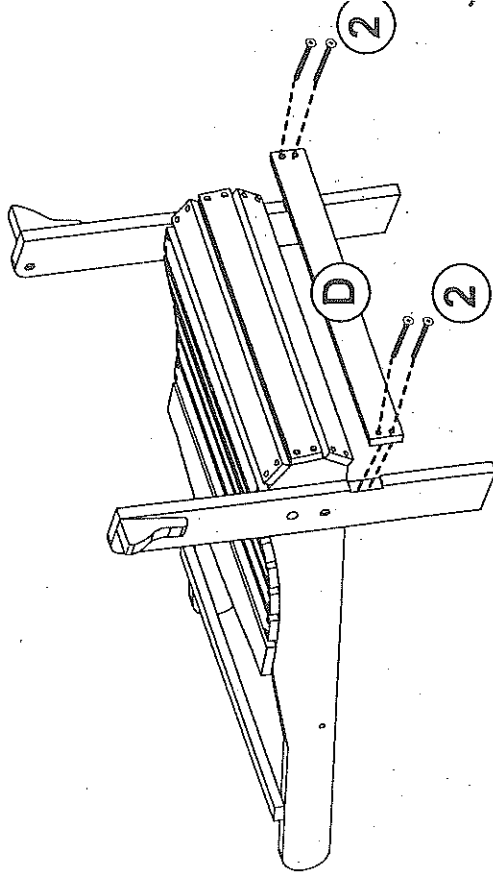
1:  M6x 35mm x 4pcs

2:  M4x 30mm x 4pcs

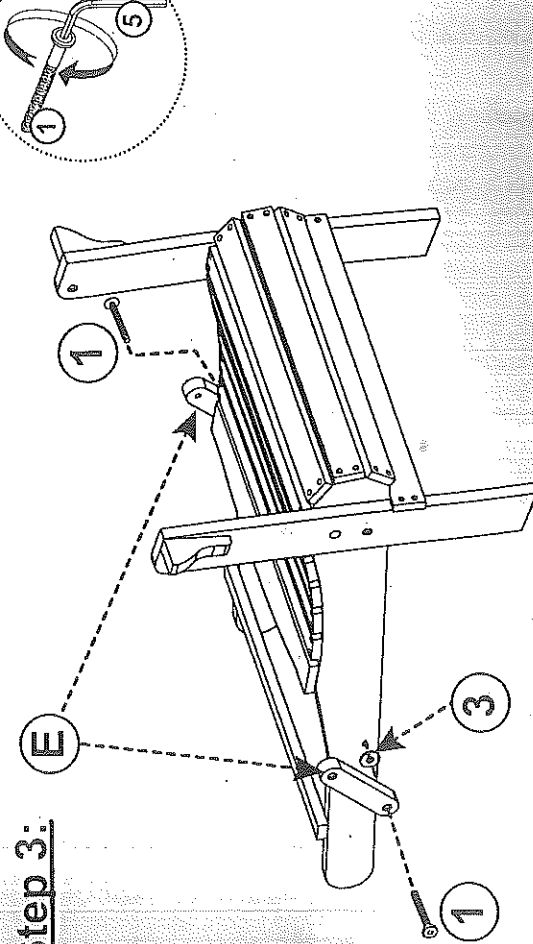
3:  $\Phi 18/6$ x 2mm x 4pcs

5:  M4x 80mm x 2pcs

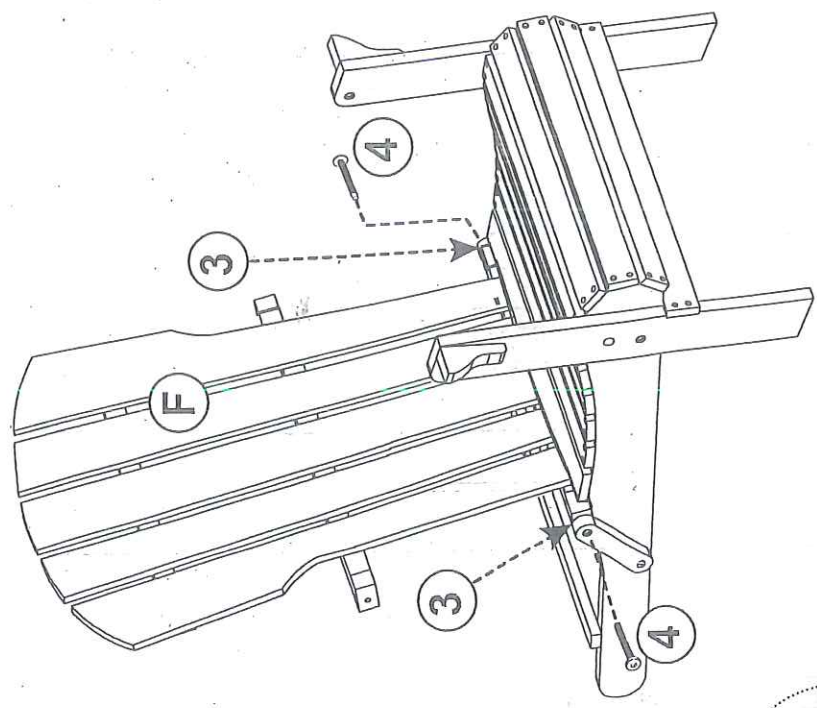
Step 2:



Step 3:



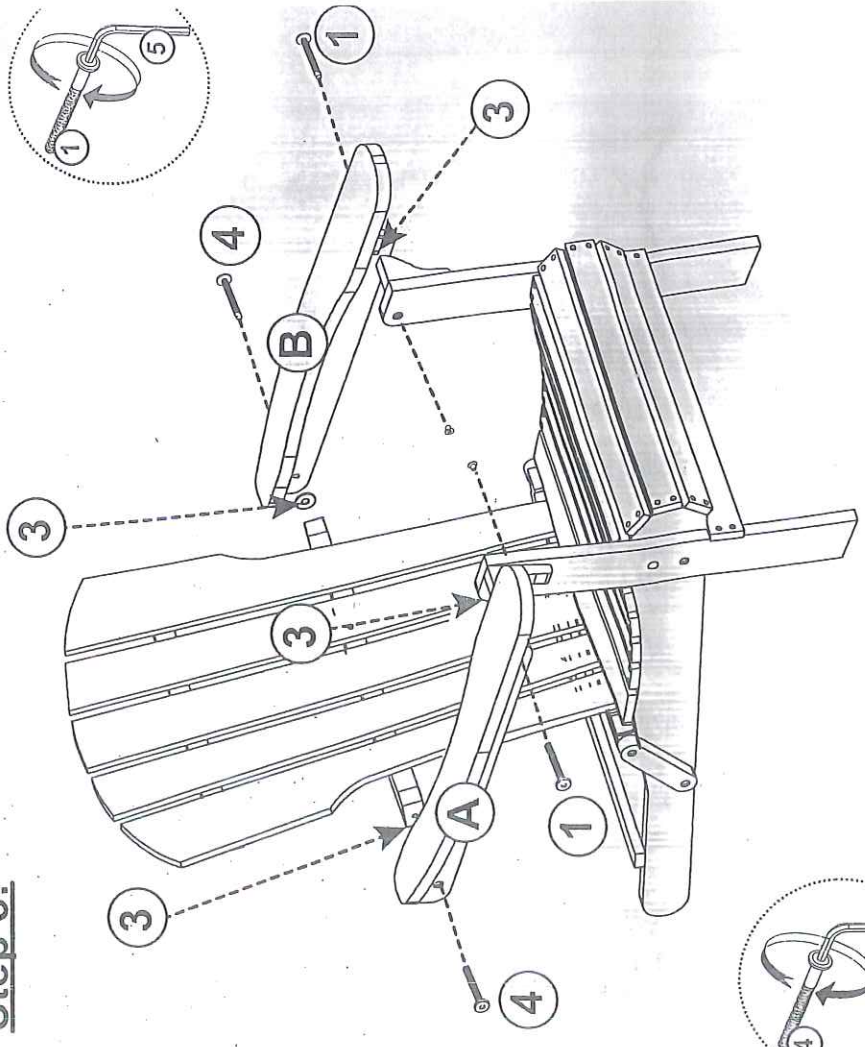
Step 4:



1:  M6x 35mm x 2pcs

3:  $\varnothing 18/6 \times 2mm \times 6pcs$

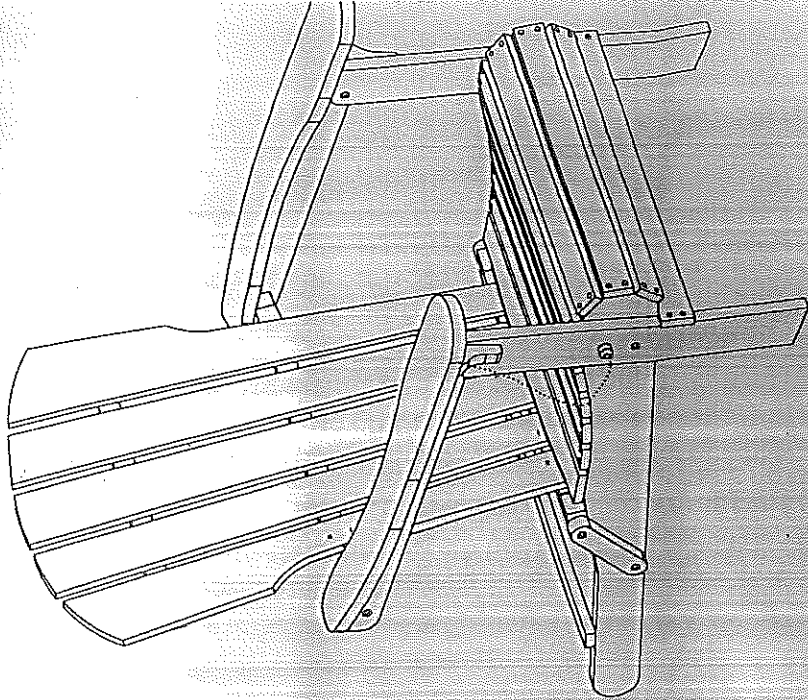
Step 5:



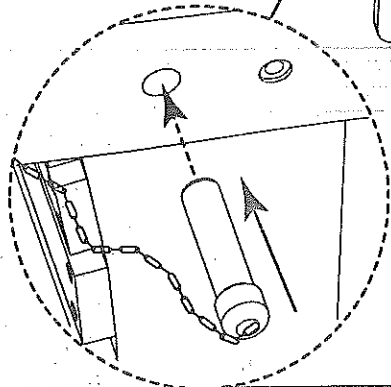
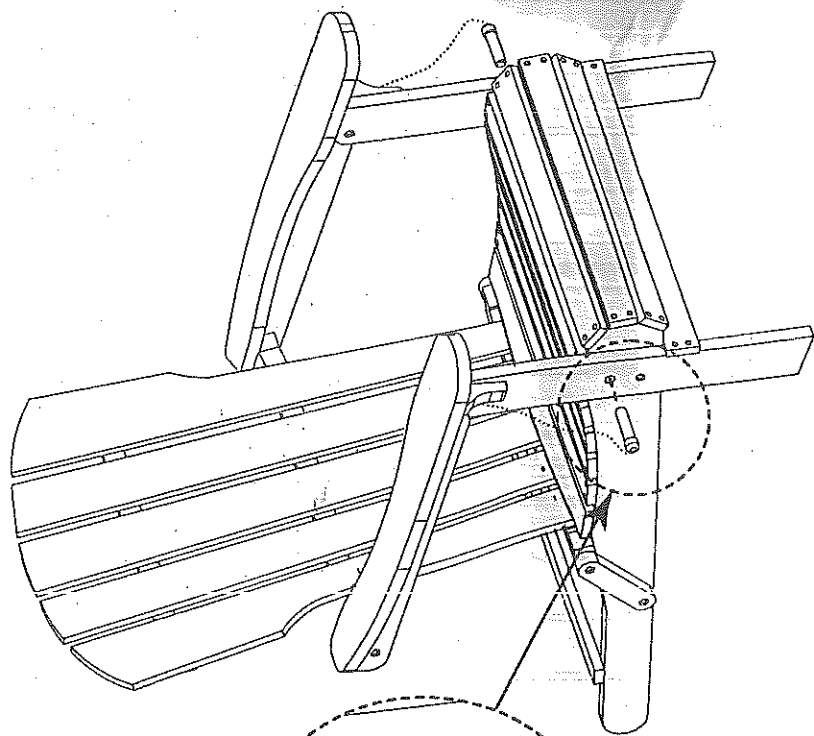
4:  M6x 40mm x 4pcs

5:  M4x 80mm x 2pcs

Step 7:



Step 6:



Step 8:

