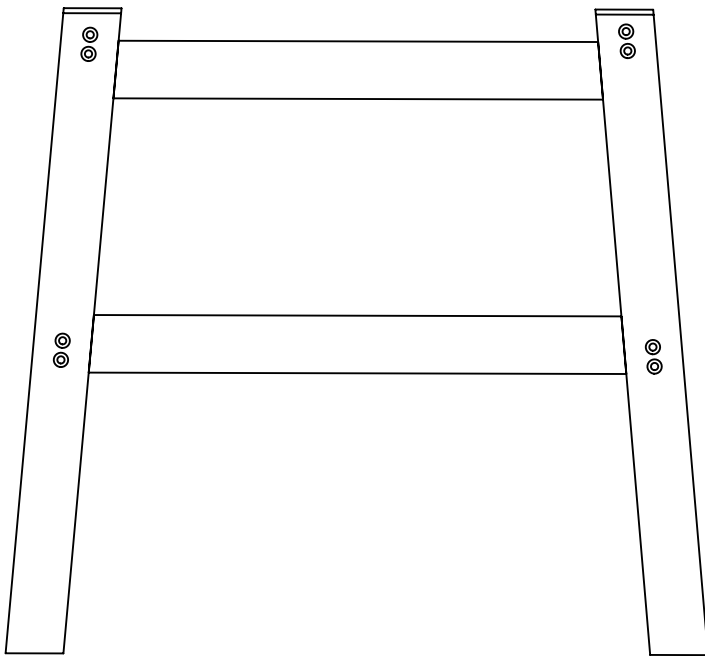


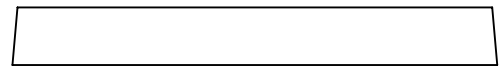
Thank you for purchasing our outdoor furniture. By purchasing this product you have also invested in the environment. This finely crafted, high quality furniture is made from polyolefin plastic, which helps displace millions of water bottle caps bound for landfills and oceans each year. You may notice a few textured spots or slight color variations in the material. Fear not, this is what makes furniture truly green while giving you an incredibly durable and comfortable product. ENJOY!

A YfM Xfj c]f UVA Yhf WWHY WU]gY XY UfX]b "9b UVA YHbhW dfcXi]zj ci gUj Ynf[UYa YbhWcbhf]Vi f{ "fYbj]fcbBYa Ybh"7YHh WU]gY XY ei U]f' g dffYi fY a fhW Yi gYa YbhWcb, i Y YghZUVfjei fY XY d'Ughe i Y dc'mc fZb]ei YZW'ei]dYfa YhXY fYhfYXYga]]cbgXY Vci WcbgXY Vci hY]Y XY d'Ughe i Y XYghf gUi l ghYgXf bZi]gYa YbhYhUi l cWf Ubg{ WUei Y UbbfY"=g' dYi hei Y j ci gYa Ufei]ngi fY a Uhf]Ui 'ei Yei YgHUA Yg{ ' WgdYWHhYi h ff ci XY f[, fYgj Uf]Uhc bgXY Wci Yi f' BfUmYnWU]bhZ WY ghW'ei]fYbX Yga Yi VYg] f]f]UUV Ya YbhfWc:c[]ei Yghci hYb] ci gcZfUbh i b'dfcXi]h]bWfcnUV Ya Ybhff g]fUbhYhWcbZc fUUV Y"DFC: #9N 9B 6-9B"

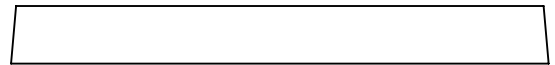
(A) X2



(B) X2



(C) X2



#2

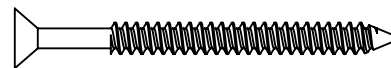


PLEASE DO NOT OVER TIGHTEN SCREWS



2 1/2" SCREW

(D) X16



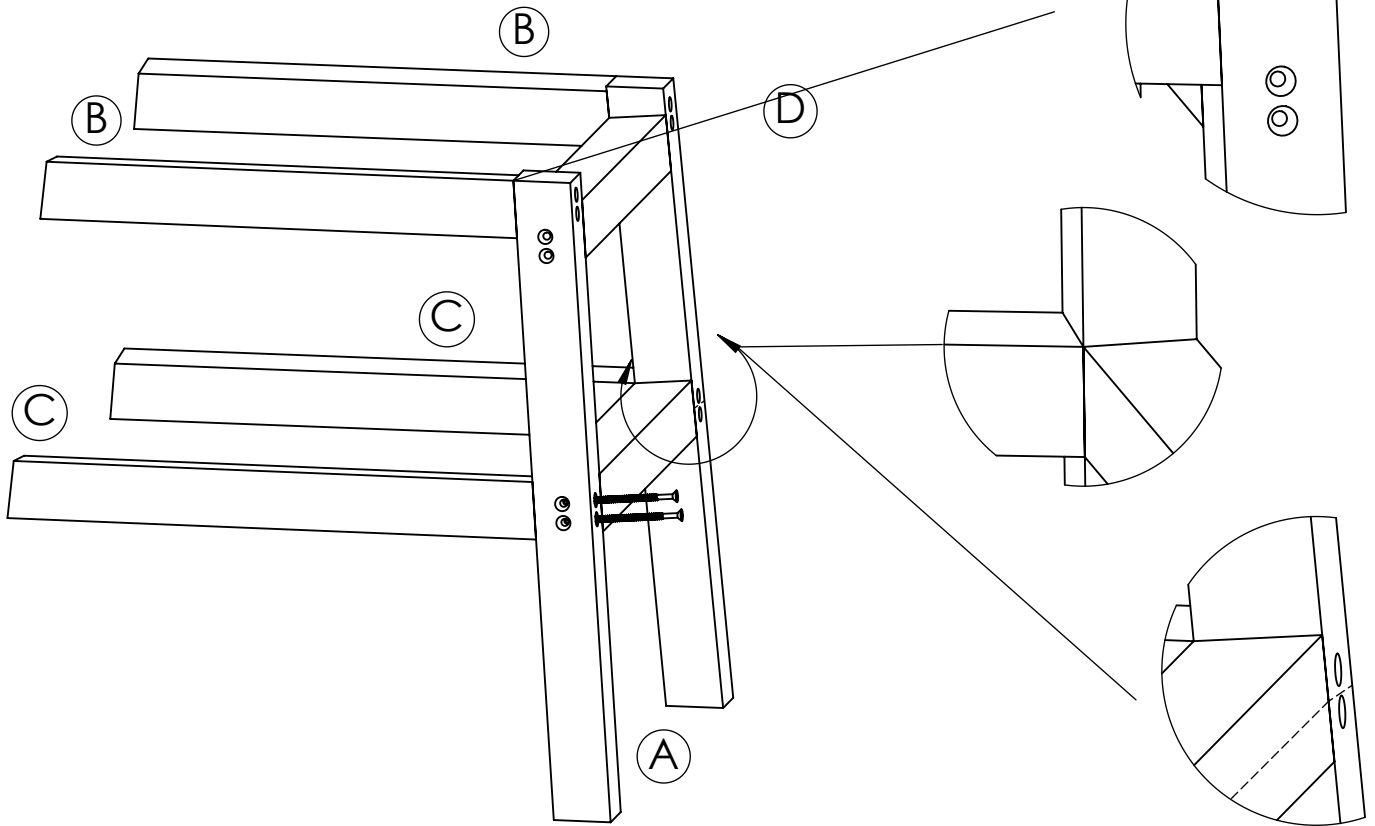
2" SCREW (! FOR ATTACHING TABLE TOP)

(E) X4

1

(A) x1 (C) x2

(B) x2 (D) x8



2

(A) x1

(D) x8

