

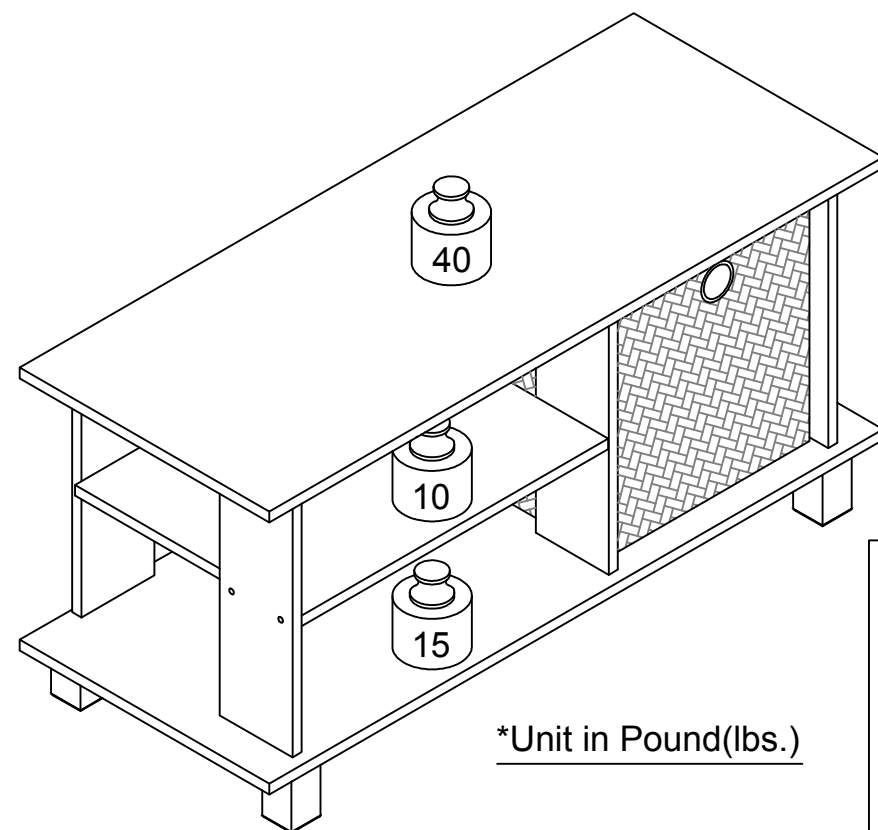
STEP 11

STEP 13

STEP 12

STEP 14

Recommended Maximum Weight

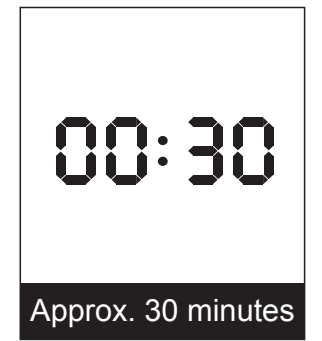
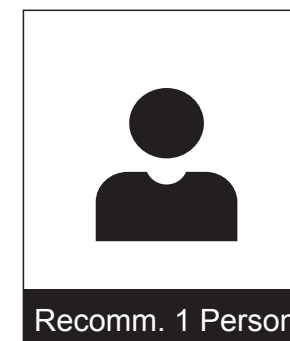
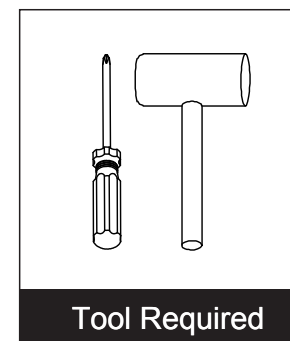
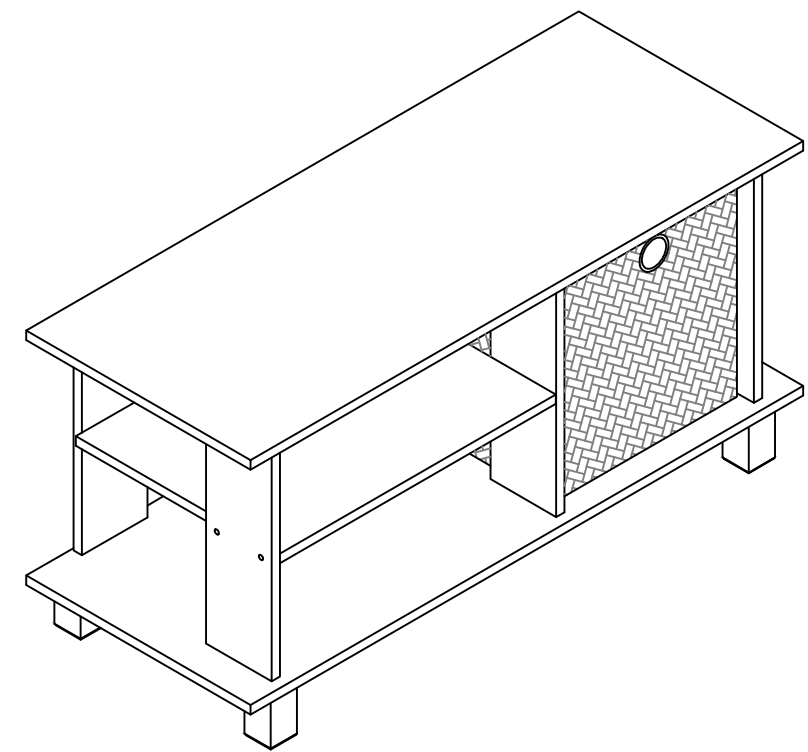


WARNING:

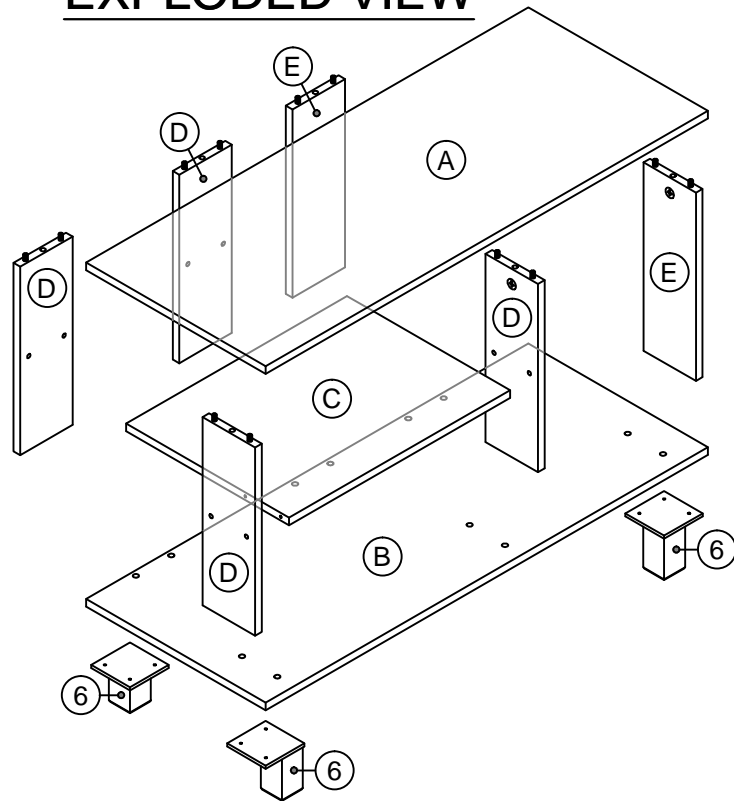
- >This unit has been designed to support the maximum loads shown. Exceeding these load limits could cause sagging, instability, product collapse, and/or serious injury.
- >DO NOT allow children to climb on unit.
- > Put heavier items on lower shelves.

Assembly Instruction

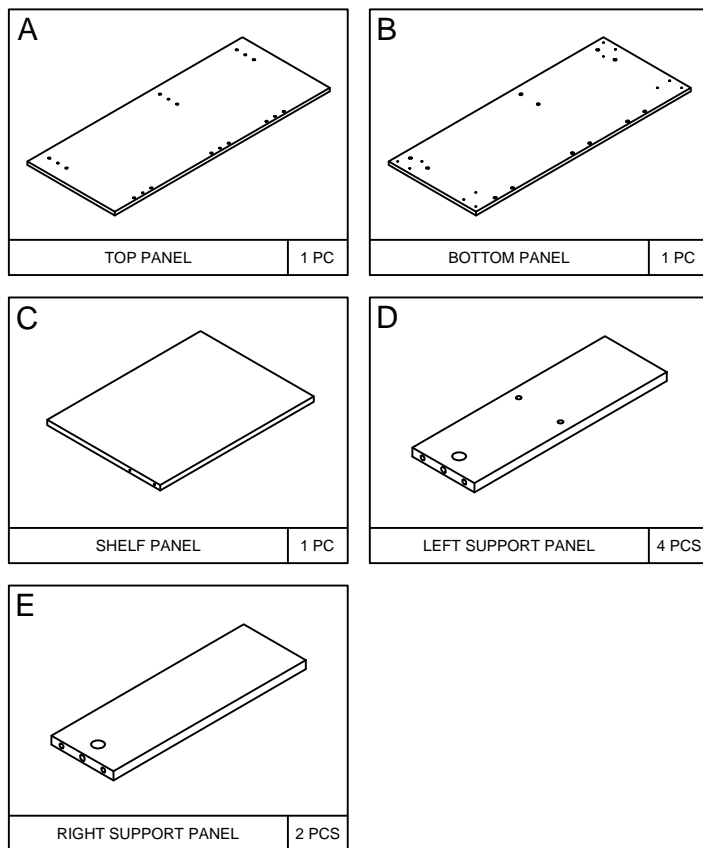
Simplistic Entertainment Center with Bin Drawers



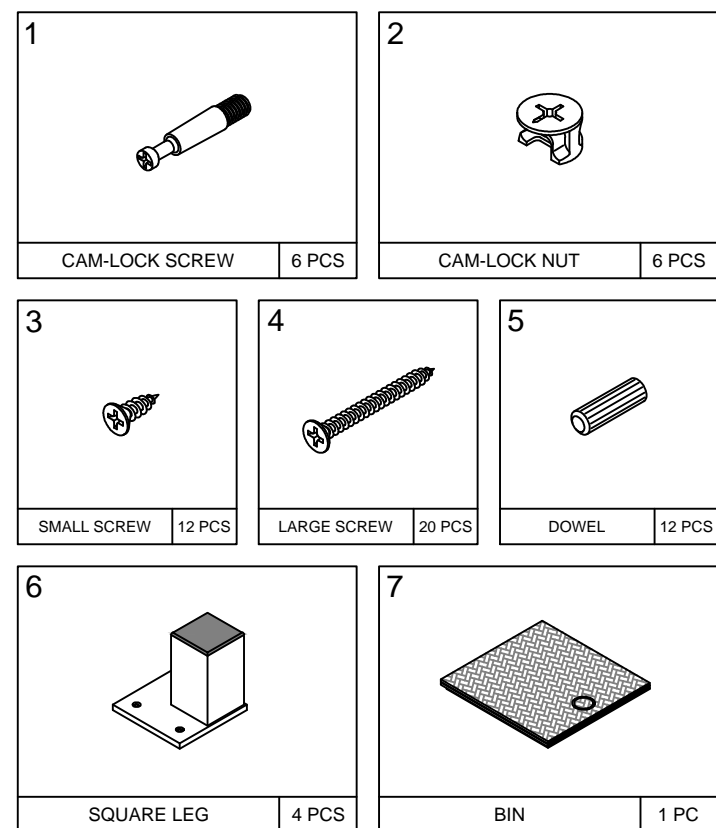
EXPLODED VIEW



PARTS LIST



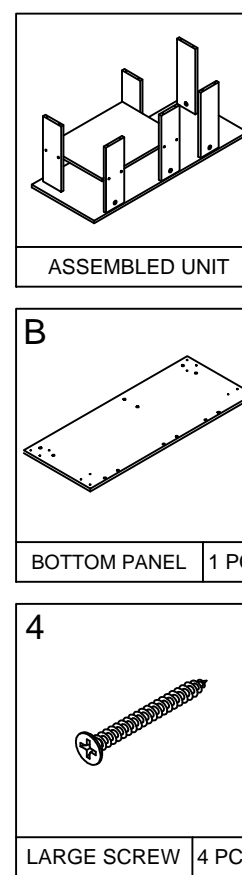
HARDWARE LIST



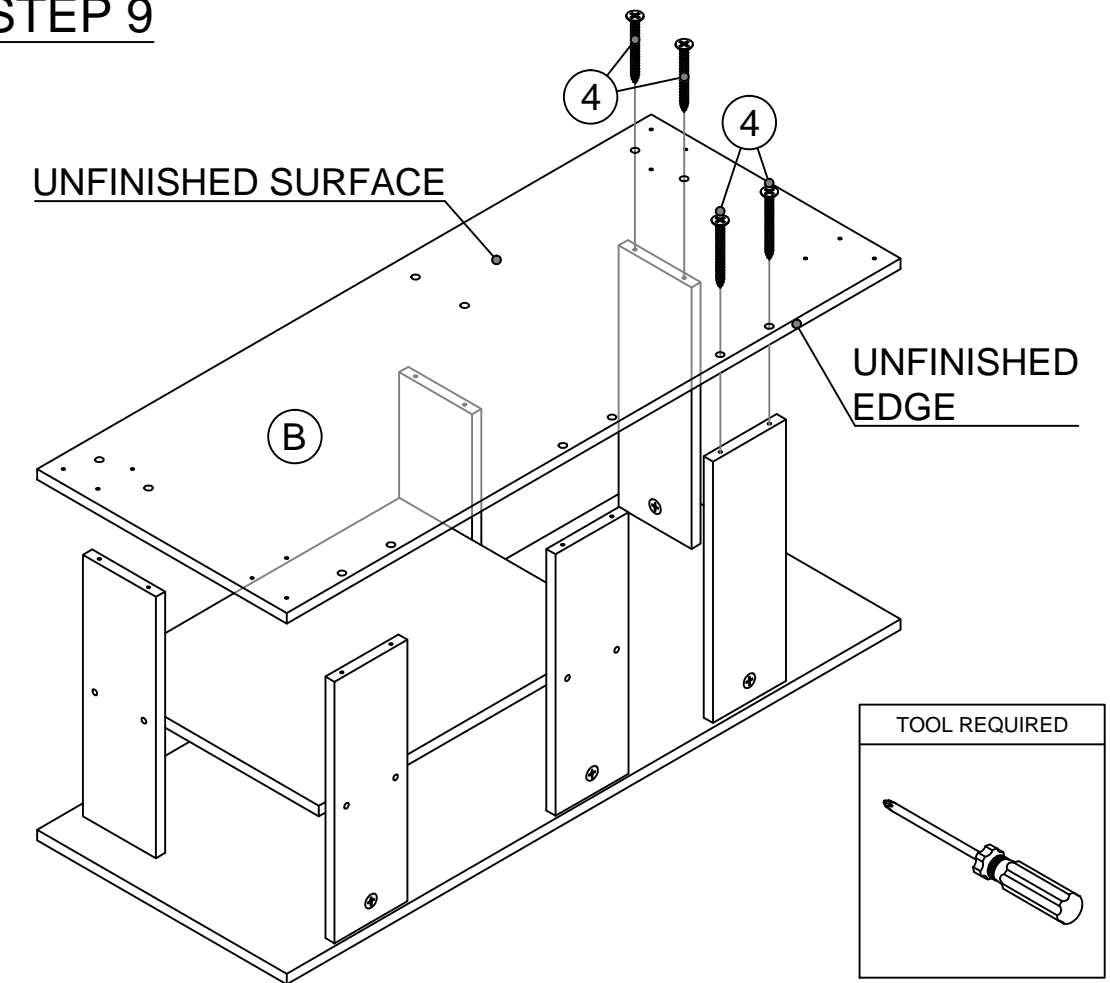
USEFUL HINTS BEFORE YOU START:

1. Read each step carefully before starting.
2. It is important that each step is performed in correct order to avoid difficulties.
3. Identify, soft and count the parts before assembly.
4. Assemble your furniture on packaging cardboard to prevent scratch or damage.
5. Clean the product with mild cleanser using soft damped cloth. Do not use harsh or abrasive cleanser.
6. Using incompatible hardware might cause damage to product.

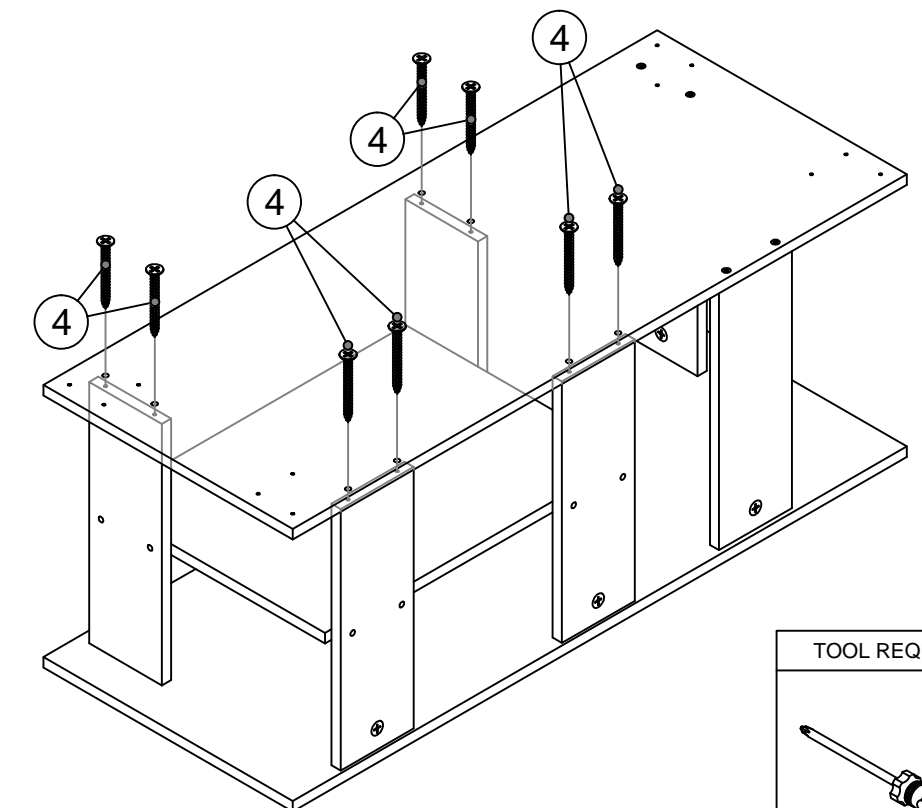
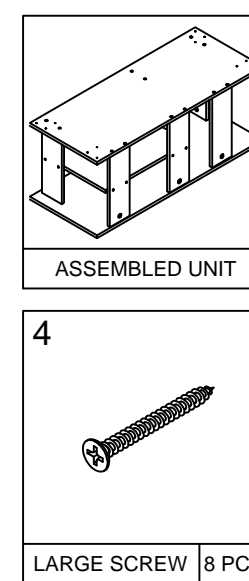
STEP 9

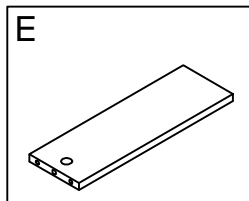


UNFINISHED SURFACE

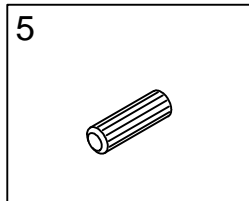


STEP 10

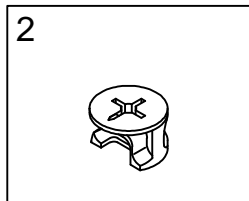




RIGHT SUPPORT PANEL | 2 PCS

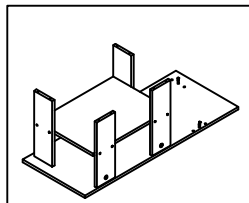
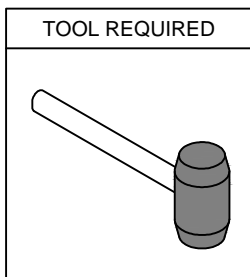
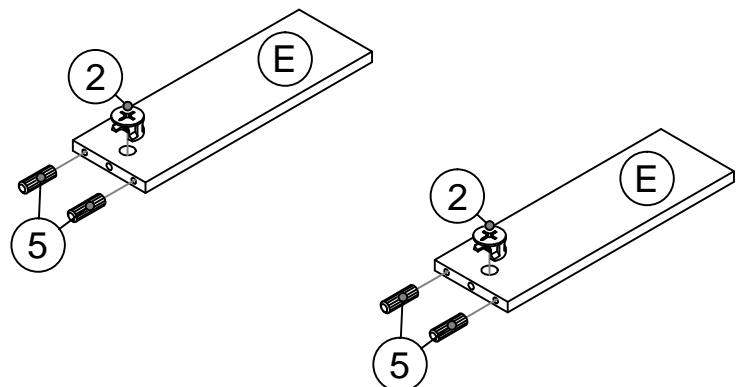


DOWEL | 4 PCS

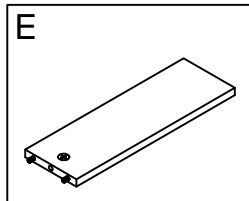


CAM-LOCK NUT | 2 PCS

STEP 7

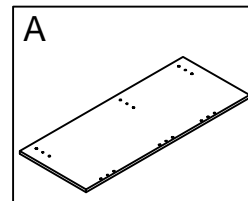
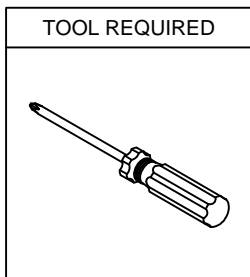
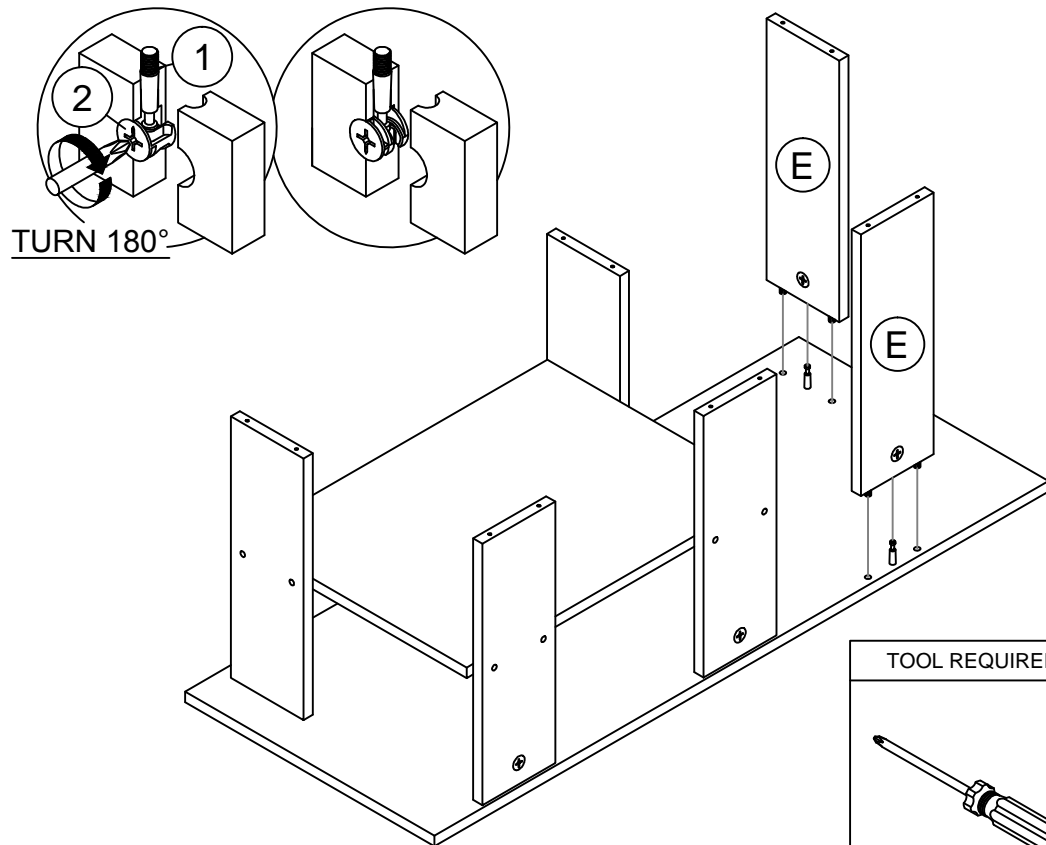


ASSEMBLED UNIT

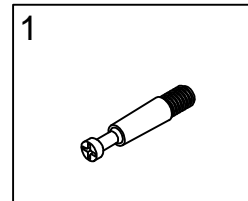


RIGHT SUPPORT PANEL | 2 PCS

STEP 8

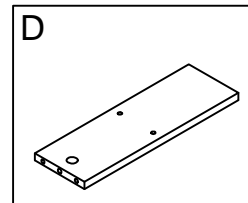
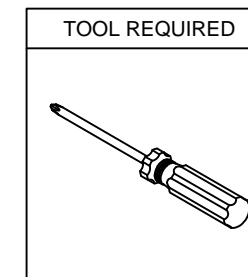
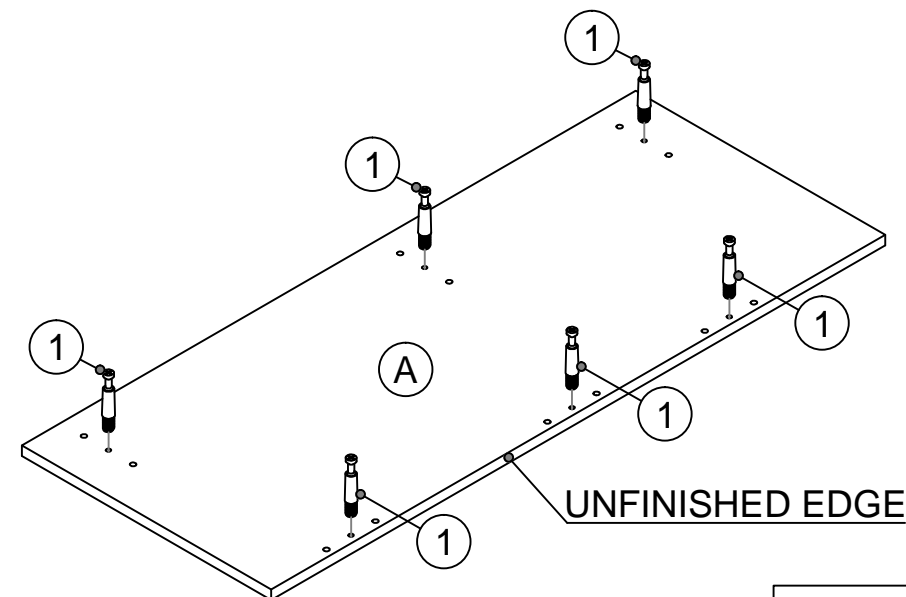


TOP PANEL | 1 PC

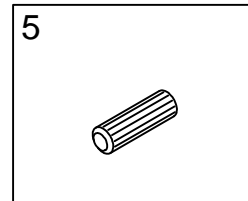


CAM-LOCK SCREW | 6 PCS

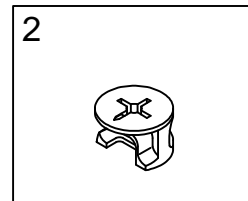
STEP 1



LEFT SUPPORT PANEL | 4 PCS

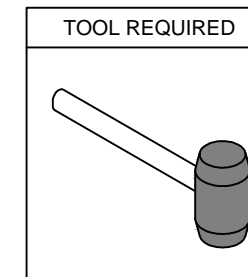
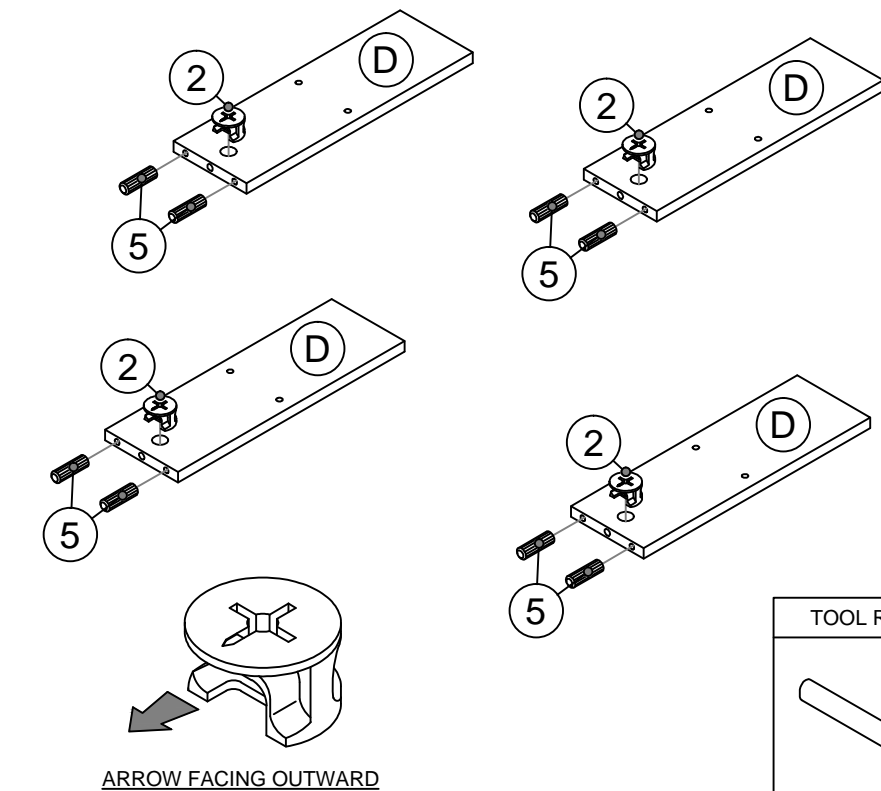


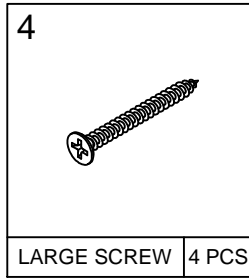
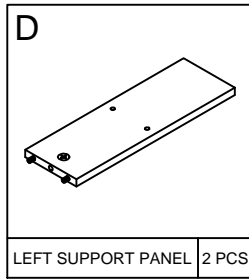
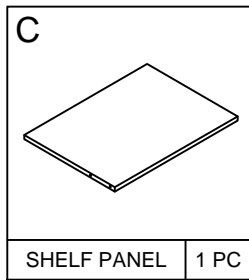
DOWEL | 8 PCS



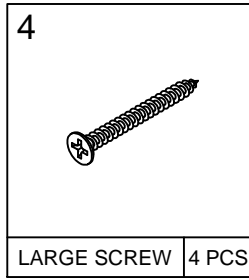
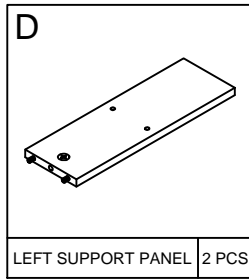
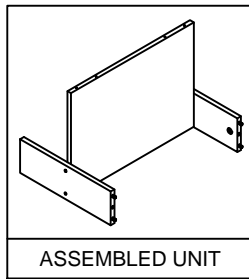
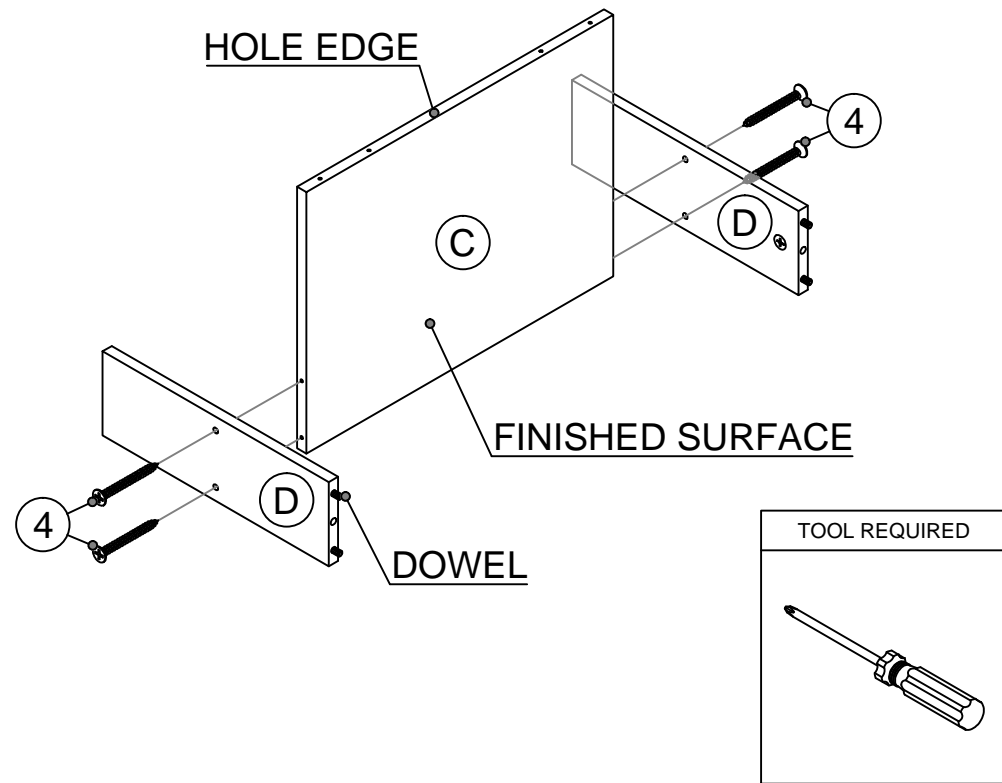
CAM-LOCK NUT | 4 PCS

STEP 2

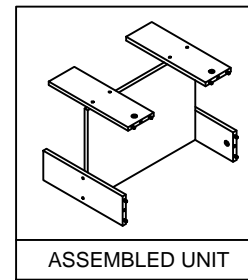
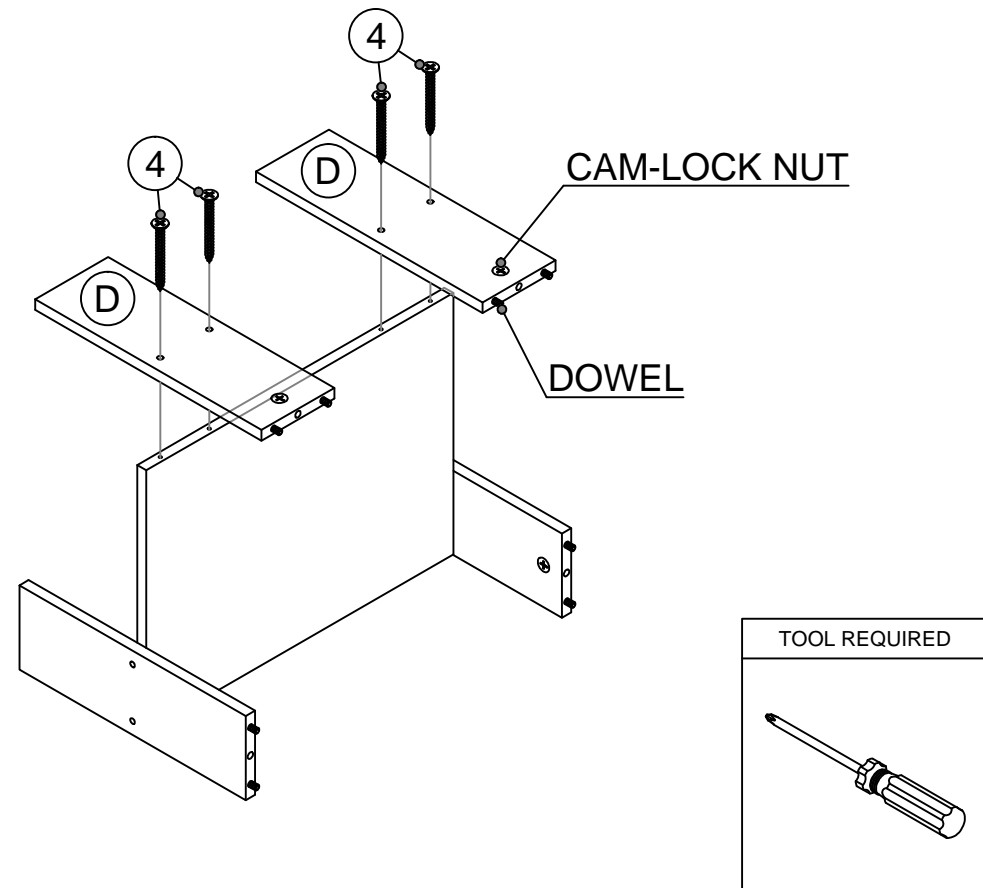




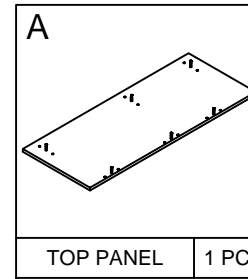
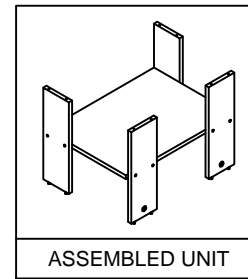
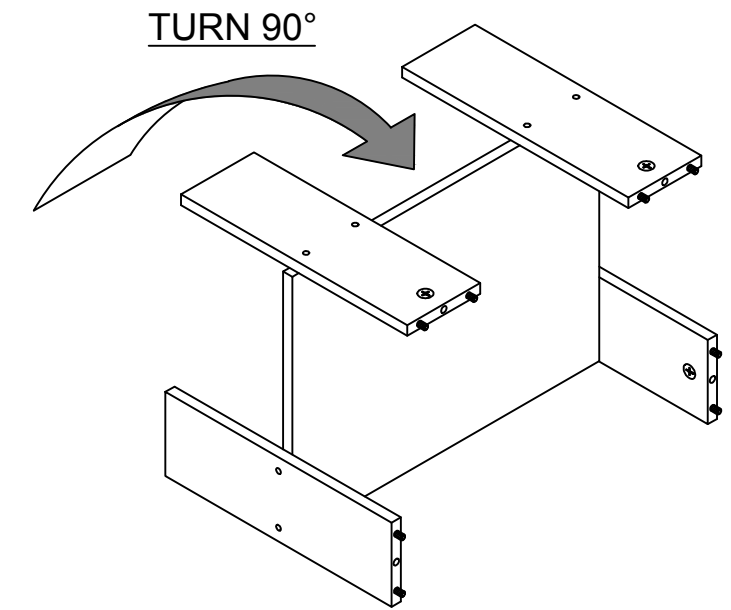
STEP 3



STEP 4



STEP 5



STEP 6

