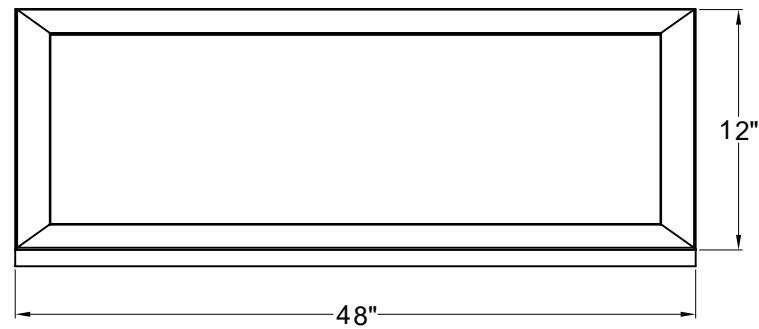


Please consult your electrician for hanging fixture and wiring.



The fixture is designed to dim with an Electronic Low Voltage dimmer. Dimming levels will vary by dimmer. Below is a list of recommended dimmers:

- Lutron
- Lutron
- Lutron
- Leviton
- Leviton
- Legrand Tru-Universal

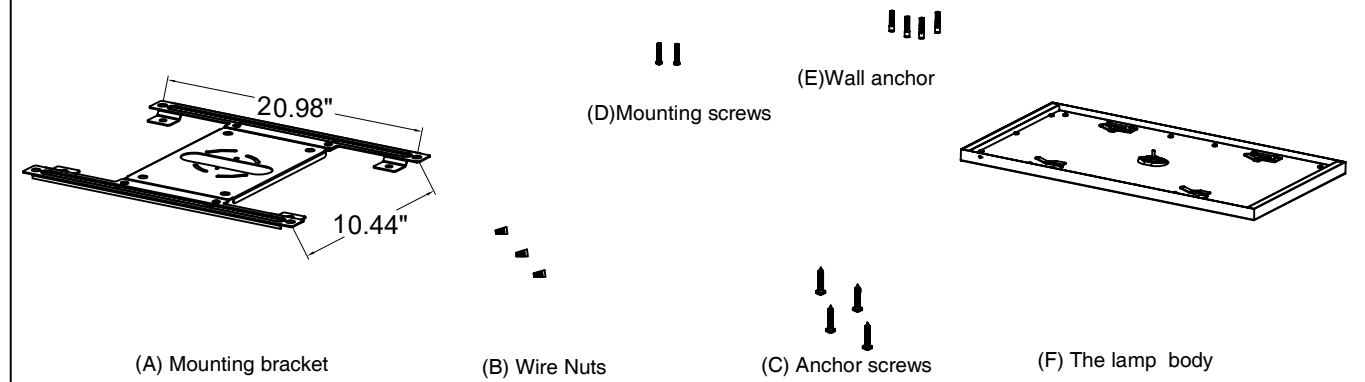
Due to inrush current wattage should not exceed 150 watts of product for a 600 watt dimmer.

WARNING: Wires need to be connected to driver found in canopy and should not be connected directly to power source or a short may occur

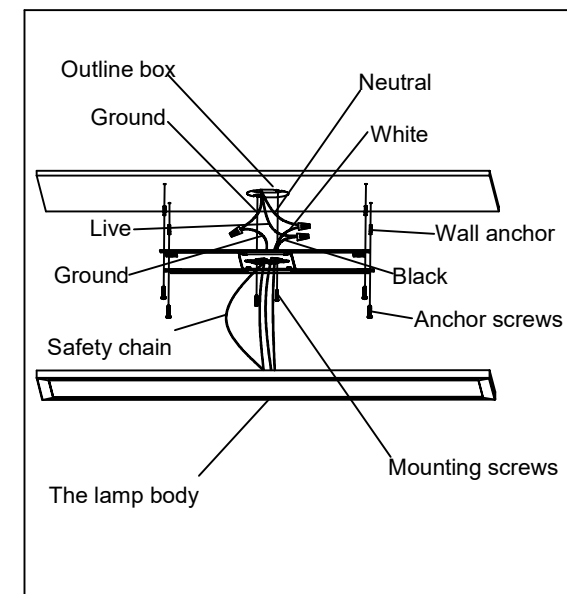
Bulbs(integrated): 120-277V Input and dimmable at 120V Integrated

MADE IN CHINA
Page 1 of (2)

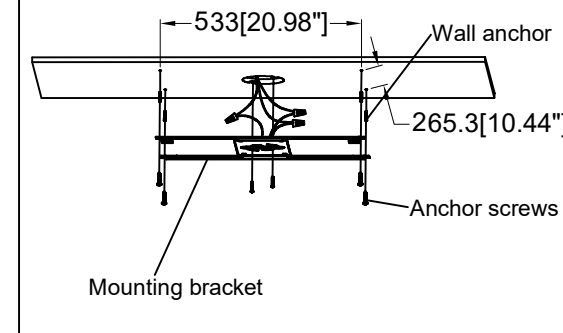
IMPORTANT: Turn off the power at the main fuse or circuit breaker box before starting installation



Locate all hardware & components before discarding packaging

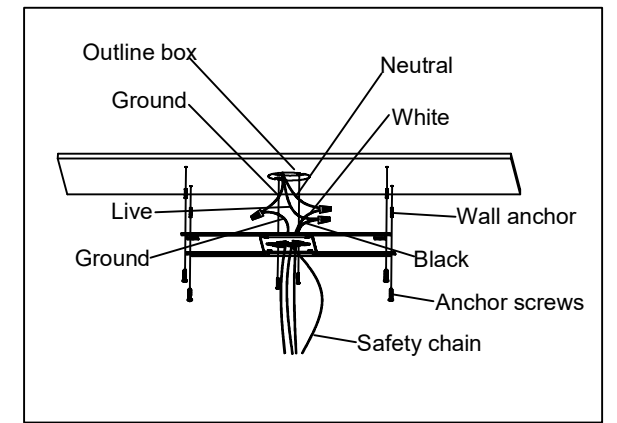


1.)



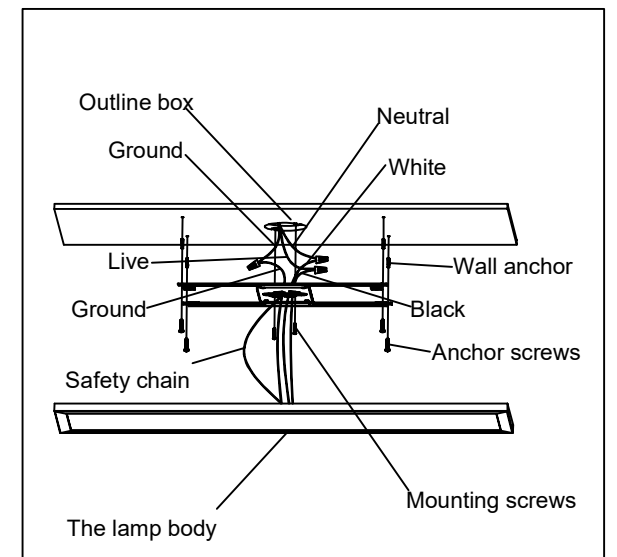
Step1.Remove mounting bracket from fixture and install to electrical box.Mark where the narrow end of the keyhole slots on the bracket meet the wall.Remove mounting bracket from wall.Drill holes using 1/4" ± drill bit where marked.Install mounting bracket to outlet box and hammer anchors into drill holes.Thread anchor screws into wall anchors until wall pate is flush with wall.

2.)



Step.2:Finish wiring(Black for Live,White for Neutral, and Green/Yellow Green for Ground.).Insert the head of safety chain into the bracket slot

3.)



Step.3: Slide lamp into the clip of bracket till click

Cleaning & Care:
Clean with soft cloth and a mild detergent.
Do not use abrasive cleaner.

Page 2 of (2)