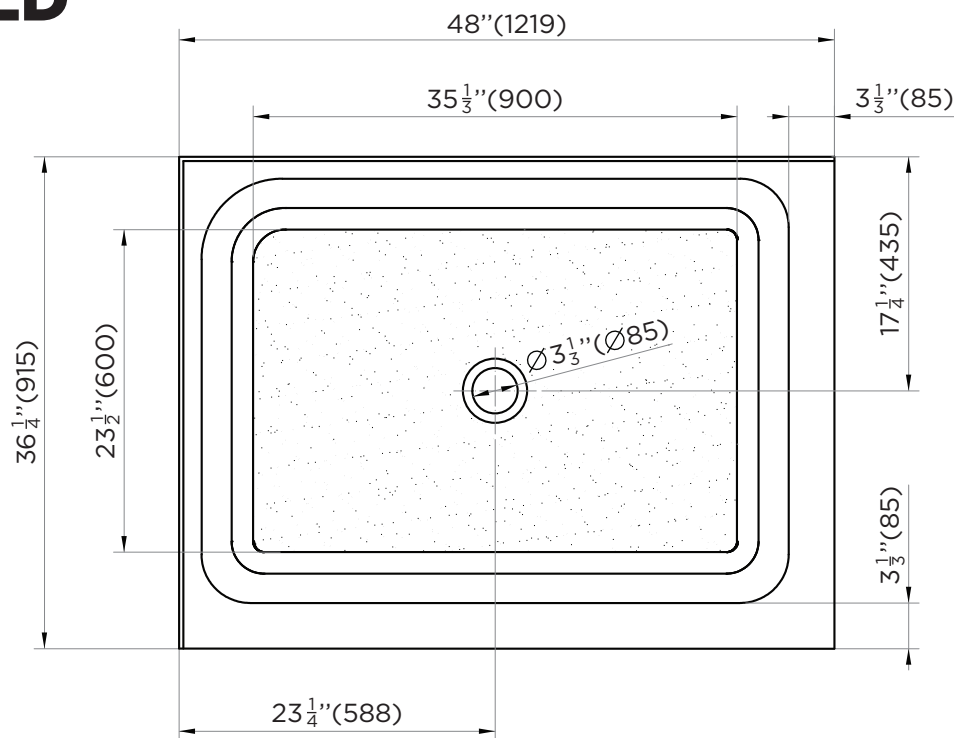
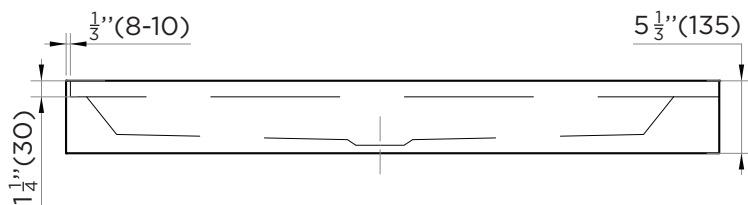


SPECIFICATIONS / TECHNICAL DATA

SHOWER BASE

RIGHT DOUBLE THRESHOLD



ATTENTION! Dimensions may vary by up to 3/8". It is highly recommended to pull all dimensions of actual model for installation and measuring purposes.

MODEL# SBA4836W-R