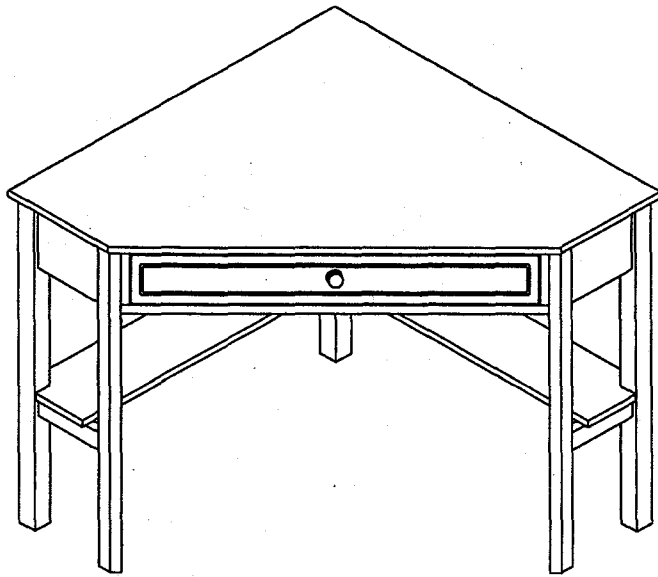





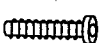


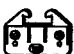


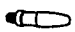







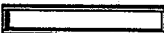
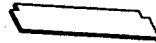






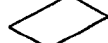

ASSEMBLY INSTRUCTION OF CORNER DESK



Hardware List

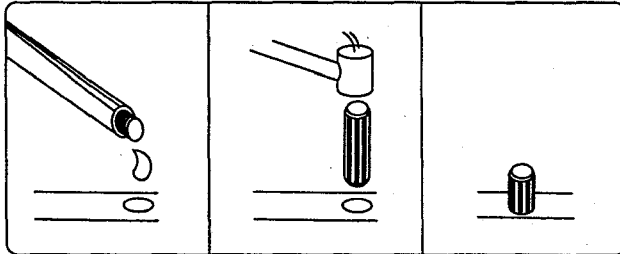
ITEM	DESCRIPTION	PART	QTY
A	Wooden Dowel ($\Phi 8 \times 30\text{mm}$)		14PCS
B	screw ($\Phi 4 \times 25\text{mm}$)		12PCS
C	Flat washer ($\Phi 16 \times 1\text{mm}$)		12PCS
D	Cam lock ($\Phi 15 \times 12\text{mm}$)		2PCS
E	Camlock Bolt ($\Phi 6 \times 72\text{mm}$)		1PC
F	Bolt ($\Phi 1/4 \times 30\text{mm}$)		22PCS
G	handle ($\Phi 25 \times 20\text{mm}$)		1PC
H	Handle bolt ($\Phi 4 \times 20\text{mm}$)		1PC
I	Plastics drawer glide		1PC
J	screw ($\Phi 3 \times 12\text{mm}$)		4PCS
K	Allen key ($115 \times 30\text{mm}$)		1PC
L	Glue		1PC

Part List

ITEM	DESCRIPTION	PART	QTY
1	Right side frame ($747 \times 260 \times 49\text{mm}$)		1PC
2	Left side frame ($747 \times 260 \times 49\text{mm}$)		1PC
3	Leg ($747 \times 40 \times 40\text{mm}$)		1PC
4	Right Apron ($656 \times 149 \times 33\text{mm}$)		1PC
5	Cross bar ($656 \times 30 \times 20\text{mm}$)		1PC
6	Front frame ($642 \times 149 \times 28\text{mm}$)		1PC
7	Long shelf ($732 \times 160 \times 15\text{mm}$)		1PC
8	Short shelf ($572 \times 160 \times 15\text{mm}$)		1PC
9	Wooden drawer glide ($300 \times 30 \times 27\text{mm}$)		1PC
10	Top panel ($754 \times 754 \times 15\text{mm}$)		1PC
11	Drawer front panel ($612 \times 119 \times 24\text{mm}$)		1PC
12	Drawer side wall ($310 \times 95 \times 12\text{mm}$)		2PCS
13	Drawer back panel ($574 \times 95 \times 12\text{mm}$)		1PC
14	Drawer bottom panel ($297 \times 585 \times 3\text{mm}$)		1PC
15	Left Apron ($656 \times 149 \times 33\text{mm}$)		1PC

ASSEMBLY INSTRUCTION OF CORNER DESK

Wooden dowel installation

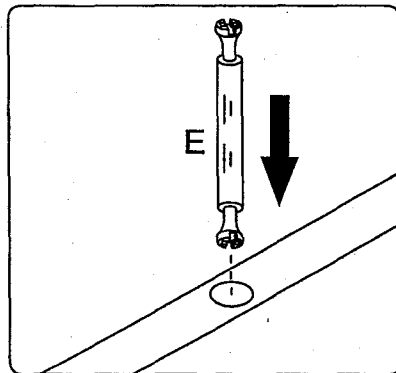


APPLY GLUE INTO PRE-DRILLED HOLE,
AND GENTLY TAP WOOD DOWEL INTO
THE HOLE WITH RUBBER Mallet.

*GLUE--DO NOT PUT IN MOUTH

- * Required screw driver & mallet, but not included
- * Before discarding packing materials, please check all parts and hardwares are presented
- * Need two persons to assemble this product
- * Please follow the instruction closely, don't tighten screws or bolts unless instructed
- * After few days of initial assembly, the product may have acclimated to new environment, please tighten all hardwares again

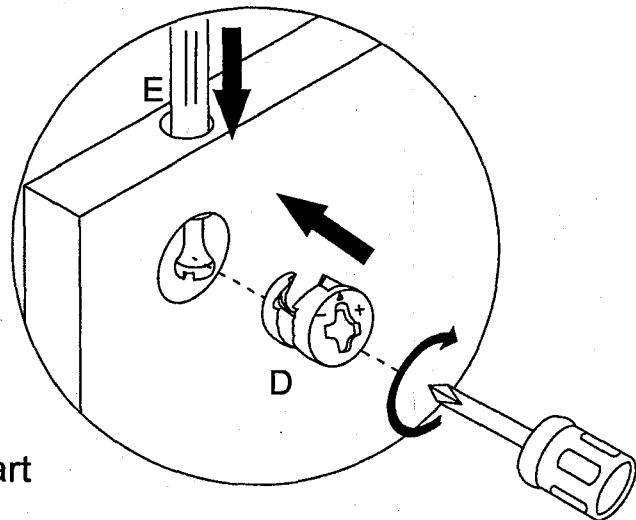
Guideline For Assembling of Cam Lock (D & E)



Screw camlock bolt (E) to wood part

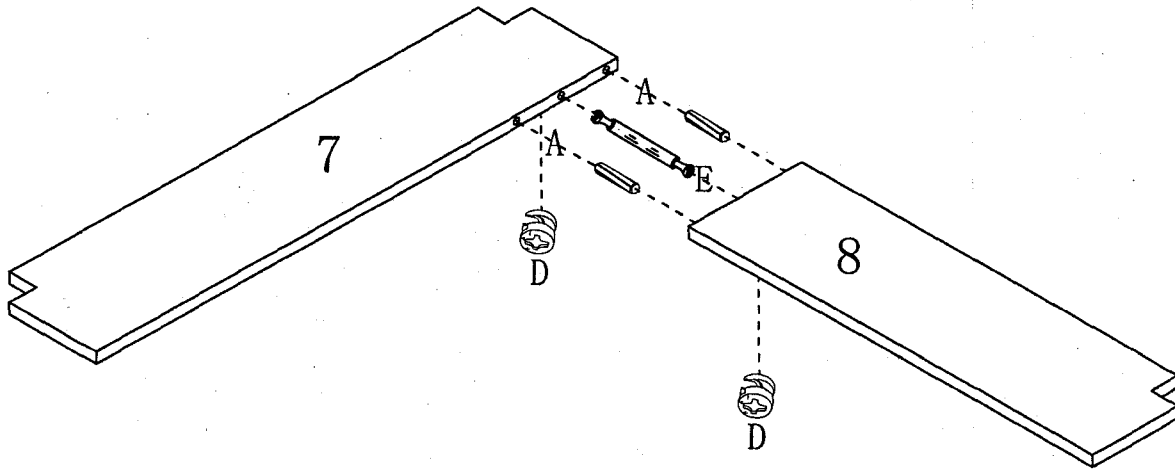
Do not assemble camlock (D) unless is instructed

To assemble camlock (D), ensure long side of the + is facing the bolt (E) before inserting into hole



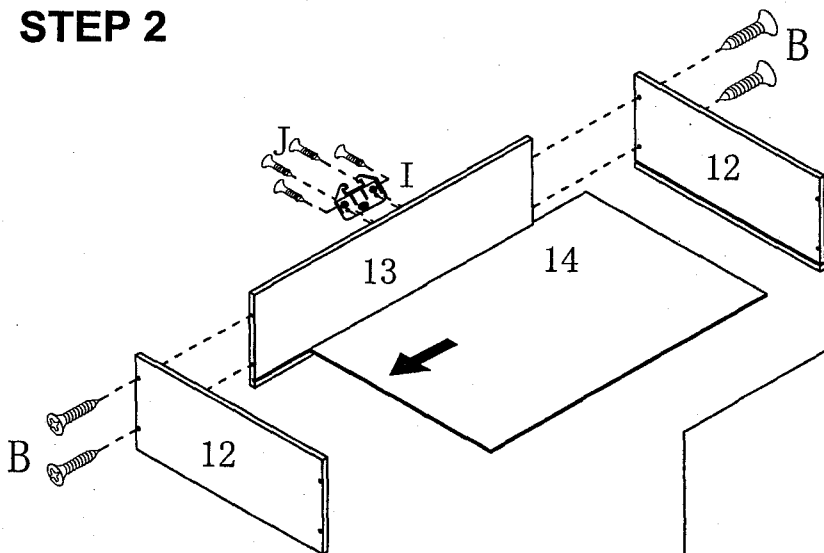
ASSEMBLY INSTRUCTION OF CORNER DESK

STEP 1



Assemble the long shelf (7) and short shelf (8) by wooden dowel (A), double head bolt (E) and cam lock (D).

STEP 2



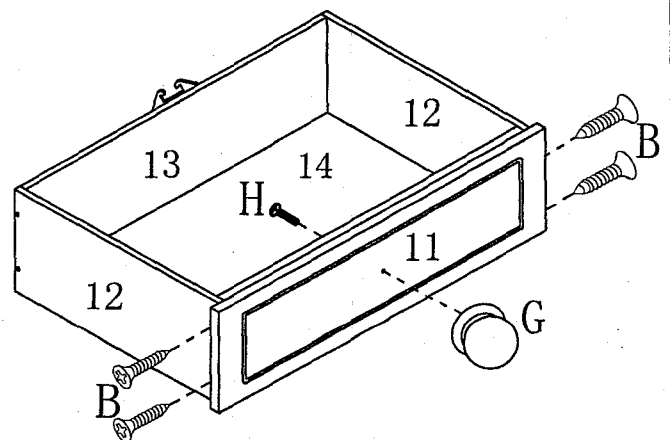
Assemble drawer plastic glide (I) to drawer backpanel (13) by using screw (J);

Assemble drawer side walls (12), drawer backpanel (13) and drawer bottom panel (14) together by using screw (B). Tighten all screws

STEP 3

Assemble drawer front panel (11) to drawer by using screw (B)

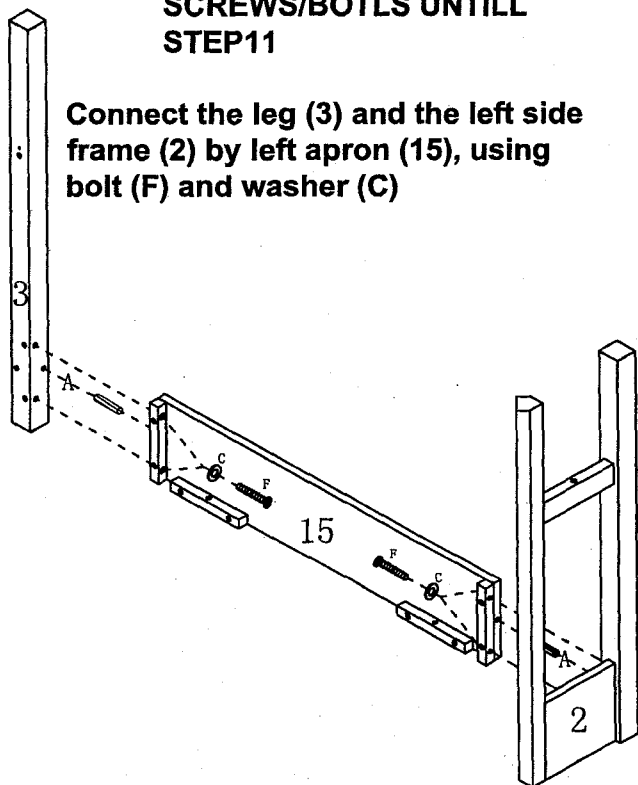
Assemble handle (G) to the drawer front panel (11) by using bolt (H). Tighten all bolts or screws



ASSEMBLY INSTRUCTION OF CORNER DESK

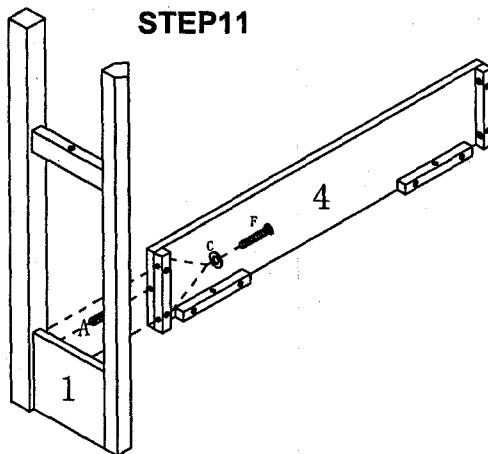
STEP 4 DO NOT TIGHTEN SCREWS/BOTLS UNTILL STEP11

Connect the leg (3) and the left side frame (2) by left apron (15), using bolt (F) and washer (C)



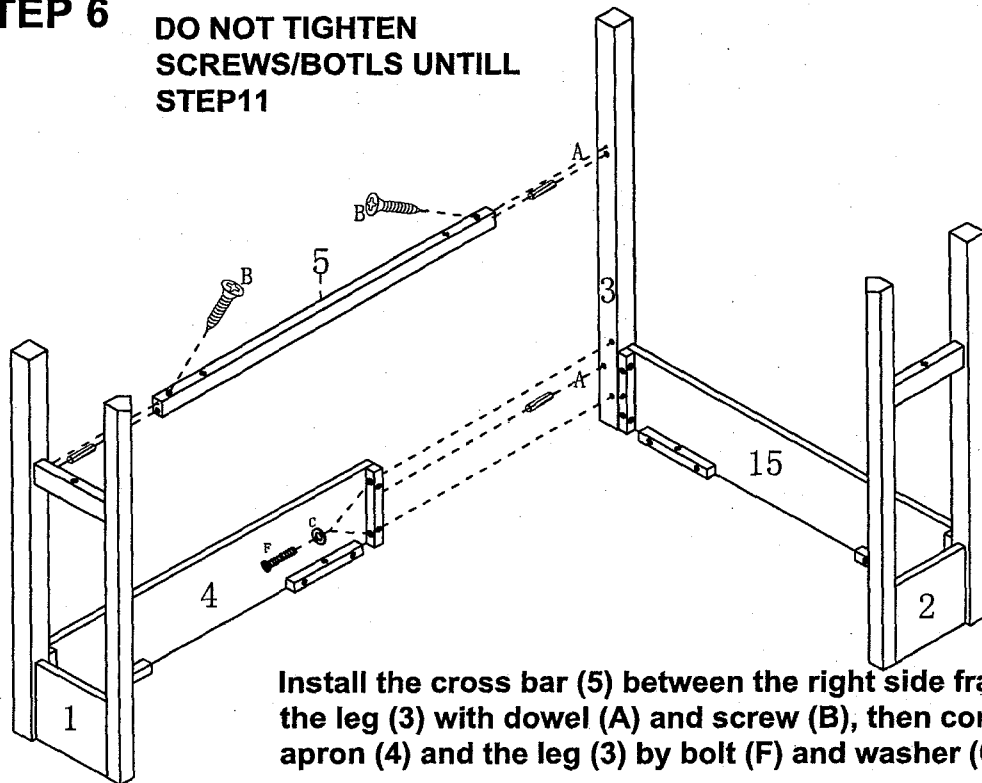
STEP 5 DO NOT TIGHTEN SCREWS/BOTLS UNTILL STEP11

Joint the right side frame (1) and right apron (4) with bolt (F) and washer (C)



STEP 6 DO NOT TIGHTEN SCREWS/BOTLS UNTILL STEP11

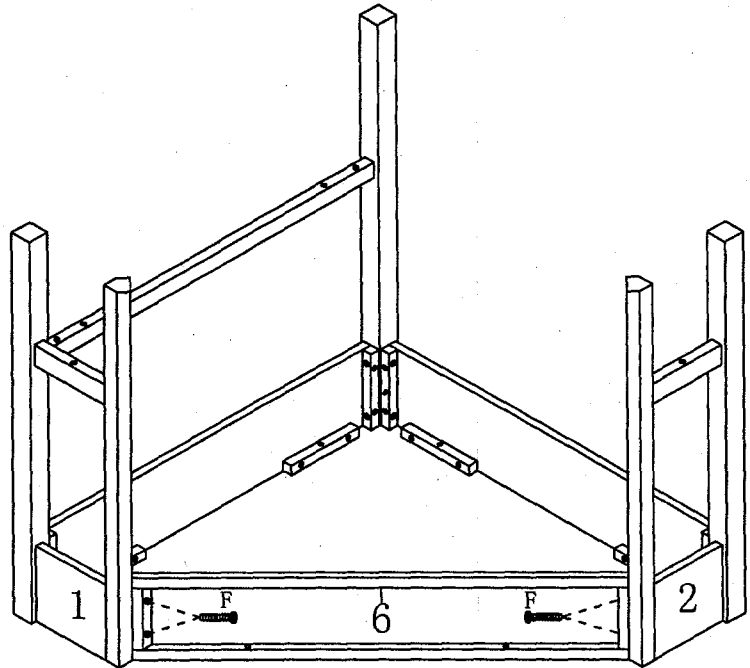
Install the cross bar (5) between the right side frame (1) and the leg (3) with dowel (A) and screw (B), then connect the apron (4) and the leg (3) by bolt (F) and washer (C)



ASSEMBLY INSTRUCTION OF CORNER DESK

STEP 7 DO NOT TIGHTEN SCREWS/BOTLS UNTILL STEP11

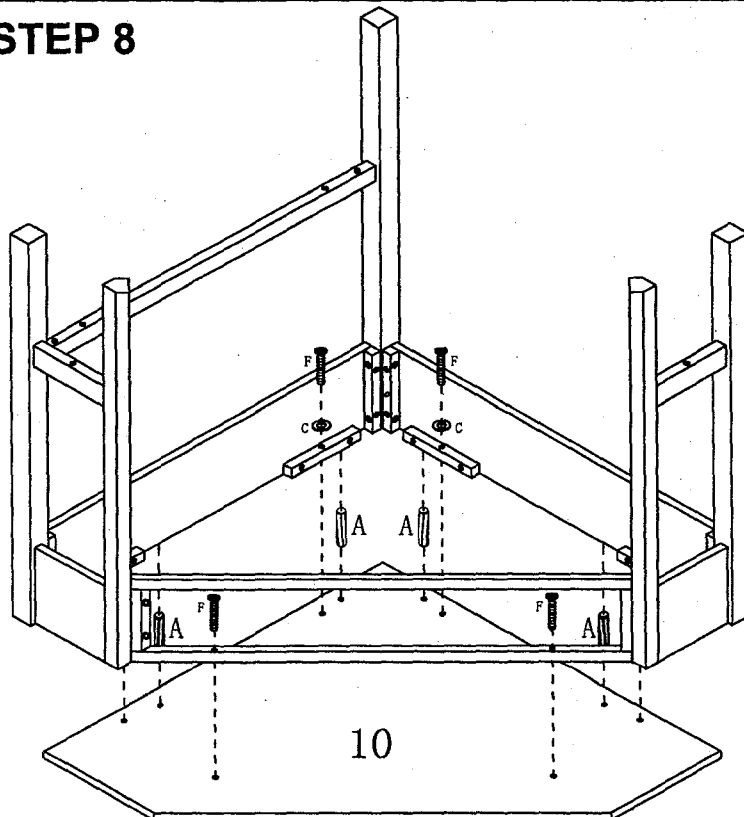
Connect the right side frame (1) and
left side frame (2) by the front frame
(6), with bolt (F)



STEP 8

DO NOT TIGHTEN
SCREWS/BOTLS UNTILL
STEP11

On a soft, clean surface, turn the
top panel (10) upside down, then
install the unit from step 7 to the
top, with dowel (A), bolt (F) and
washer (C)

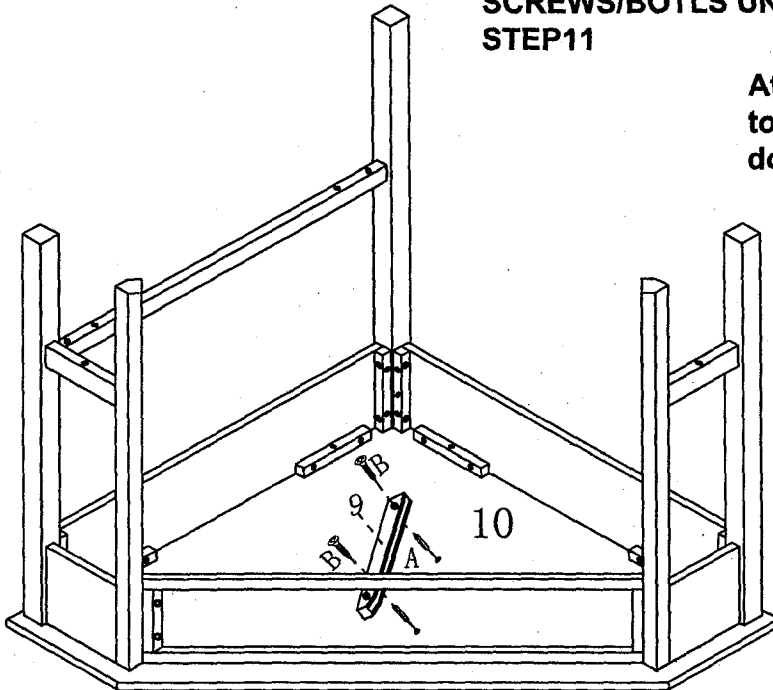


ASSEMBLY INSTRUCTION OF CORNER DESK

STEP 9

DO NOT TIGHTEN
SCREWS/BOTLS UNTILL
STEP11

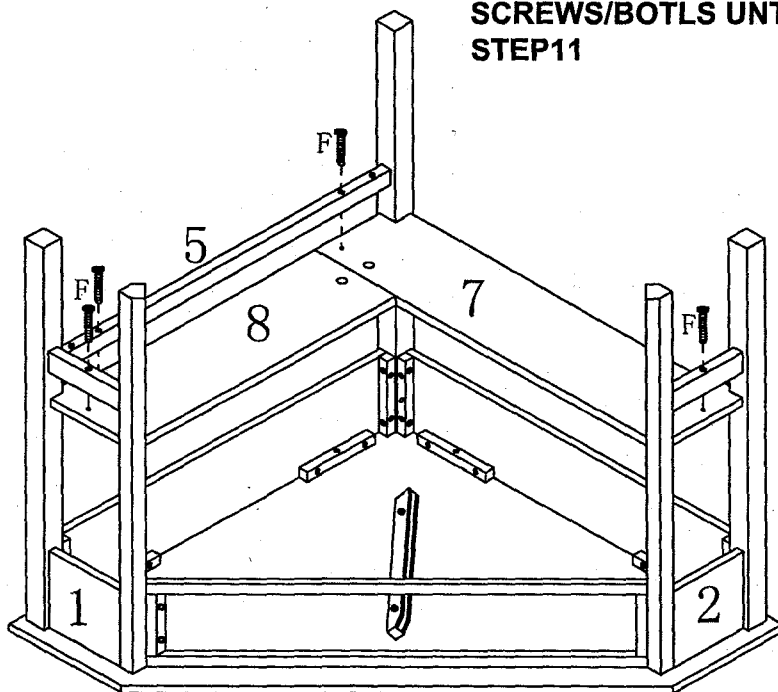
Attach the wooden drawer glide (9)
to the back side of the top (10), with
dowel (A) and screw (B)



STEP 10

DO NOT TIGHTEN
SCREWS/BOTLS UNTILL
STEP11

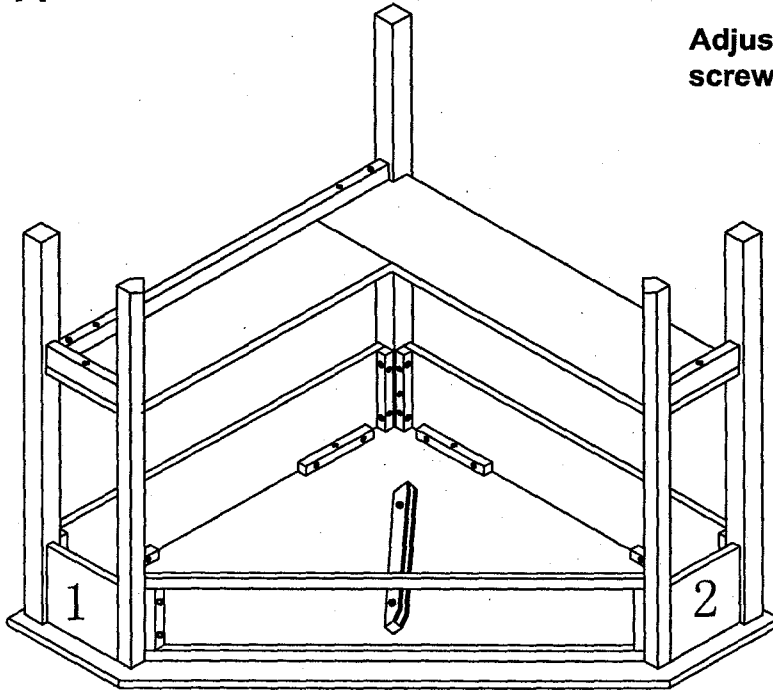
Install the shelves (7 & 8) to the
cross bar (5), left side frame (1) and
right side frame (2) by bolt (F)



ASSEMBLY INSTRUCTION OF CORNER DESK

STEP 11

Adjust alignment & tighten all screws and bolts.



STEP 12

Slide the drawer at an angle to fix to wooden drawer glide (9).

