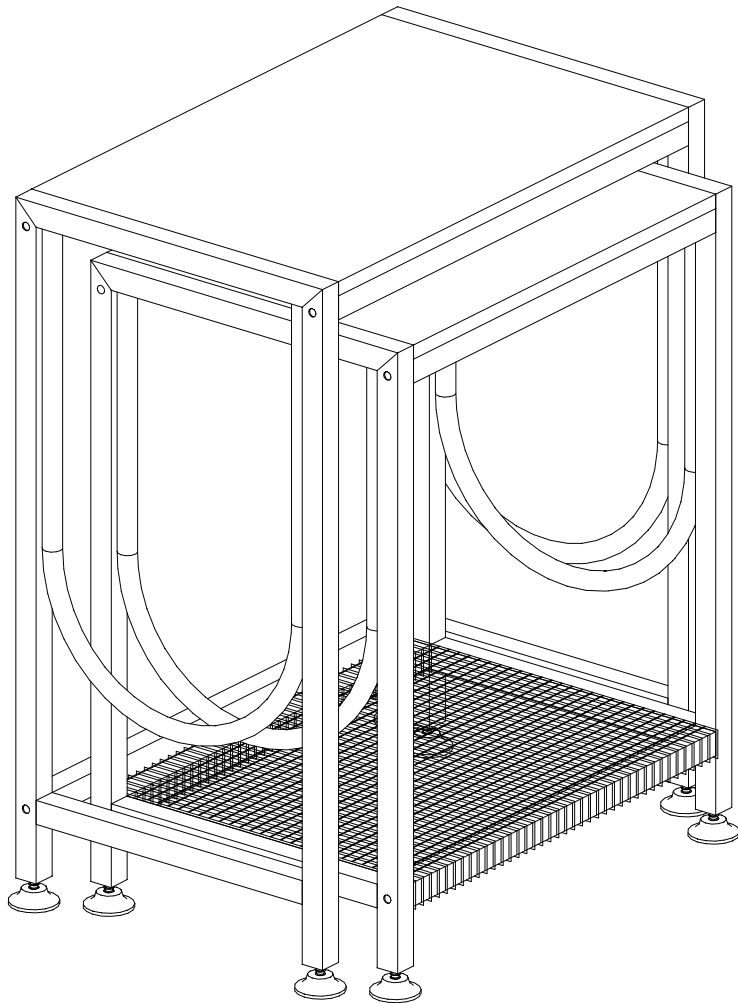


# FINISH



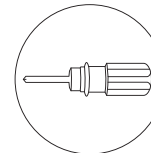
## SERIOUS OR FATAL INJURY MAY OCCUR FROM UNEXPECTED ASSEMBLY OR USE.

### WARNING

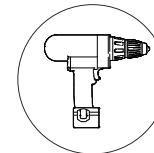
- During the assembly process, keep all parts away from babies or children.
- Use of tip-over restraints may only reduce, but not eliminate the risk of tip-over.
- Unless specially designed to accommodate, do not set heavy objects on top of this product.
- Place the heaviest items on the lowest shelf.
- Never allow children to climb or hang on drawers, doors or shelves.



### RECOMMENDED TOOLS



screwdriver/L-Wrench  
(supplied)



Power tools  
(not supplied)

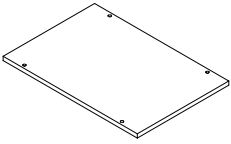
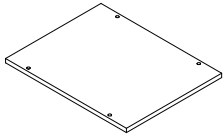
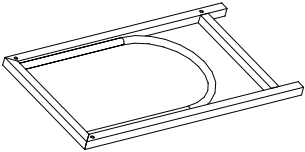
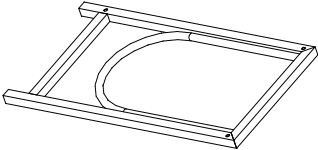
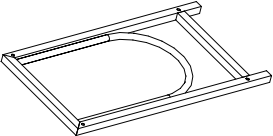
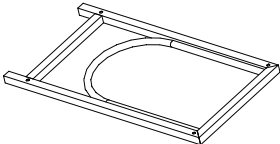
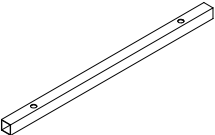
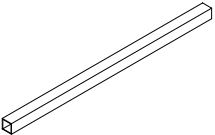
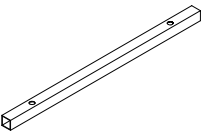
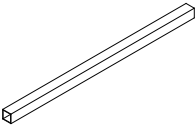
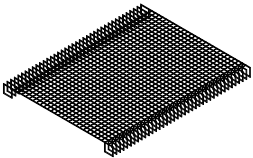


Dirt-proof clothing  
(not supplied)

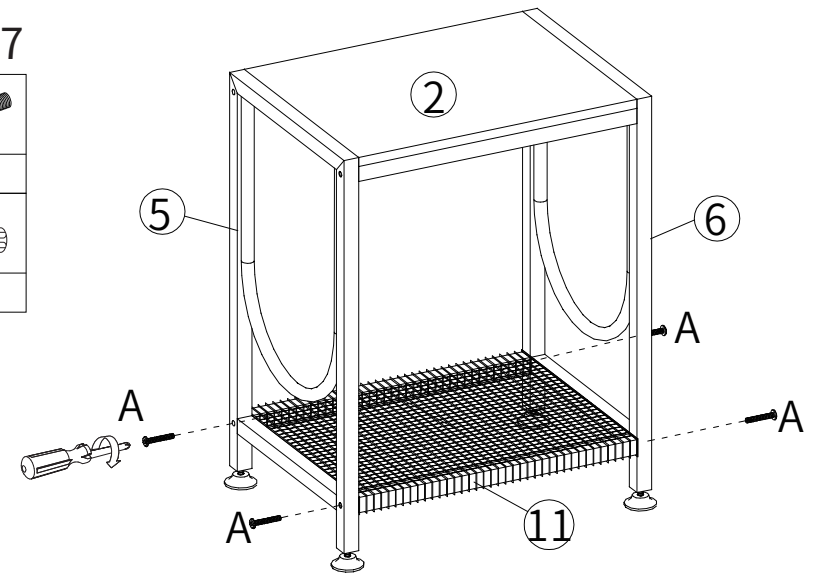
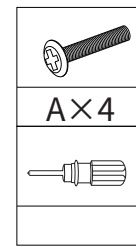


Mounting gloves  
(not supplied)

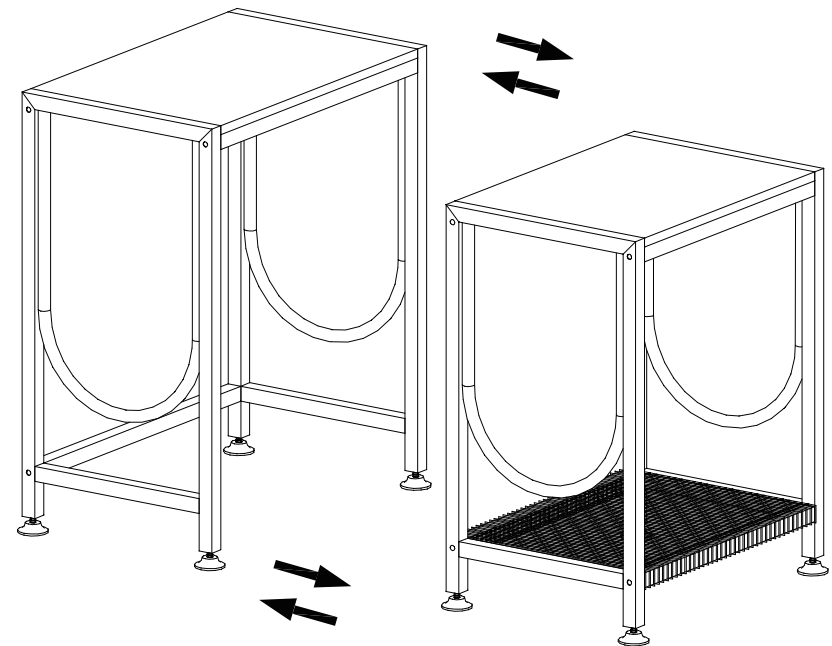
# PRODUCT BOARD DECOMPOSITION

		
① X 1	② X 1	
		
③ X 1	④ X 1	
		
⑤ X 1	⑥ X 1	
		
⑦ X 2 440X20mm	⑧ X 1 440X20mm	
		
⑨ X 2 380X20mm	⑩ X 2 380X20mm	⑪ X 1

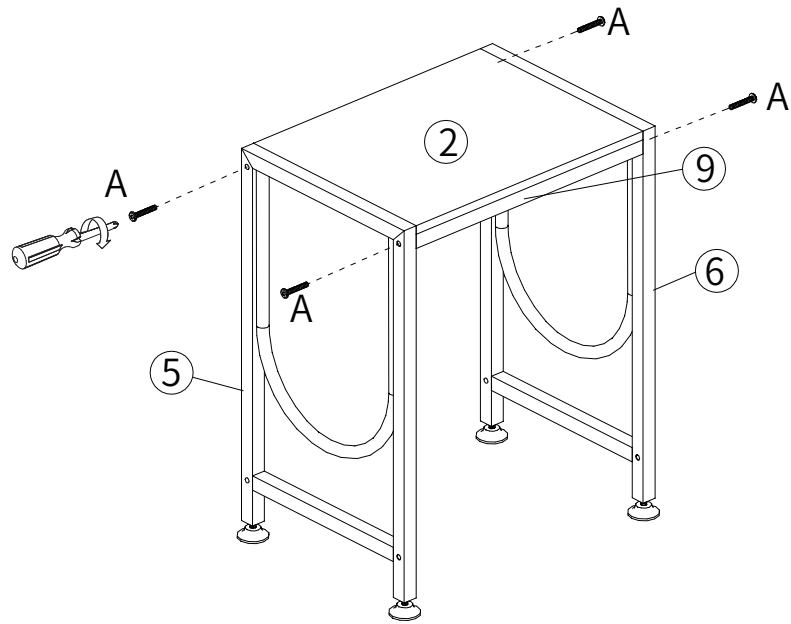
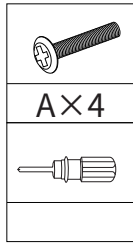
## STEP 7



## STEP 8



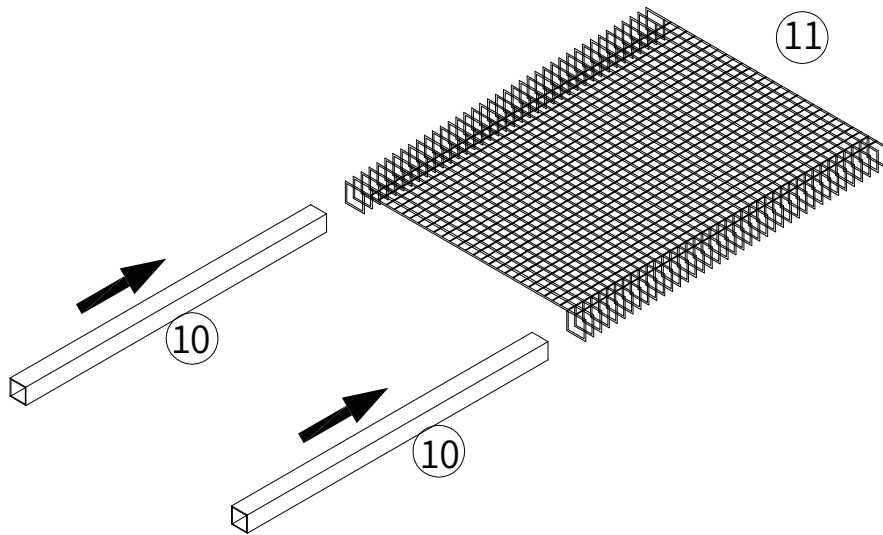
### STEP5



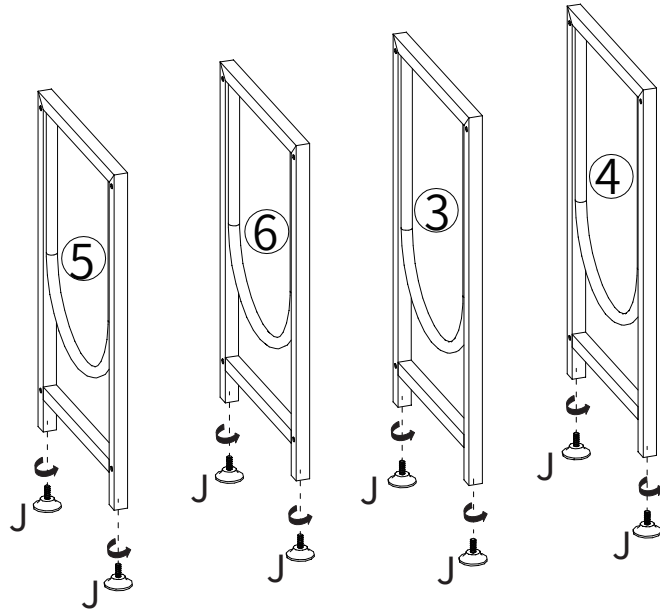
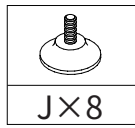
## FIXING DEVICES AND ACCESSORIES

NUMBERING	SIZE	QUANTITY	ICON
A	M6 × 35mm	14	
B	M6 × 30mm	8	
J	/	8	
	/	1	

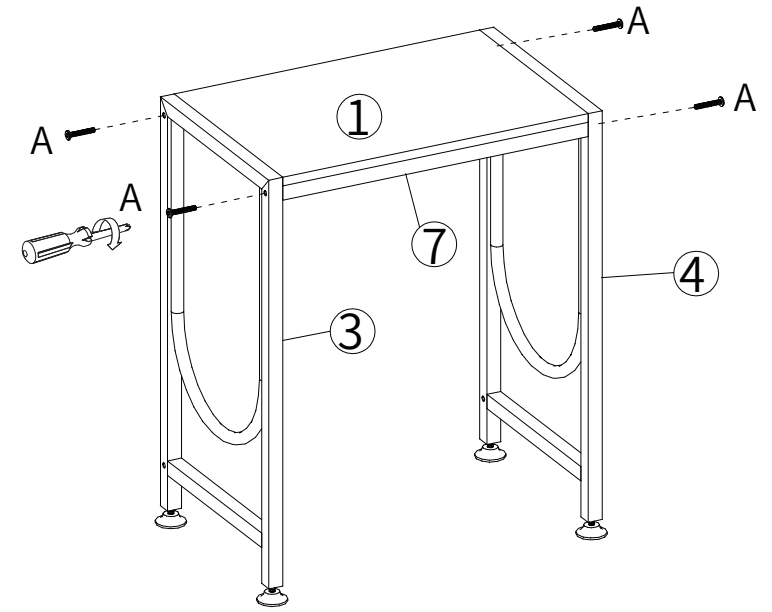
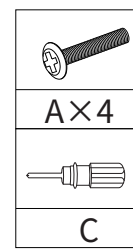
### STEP6



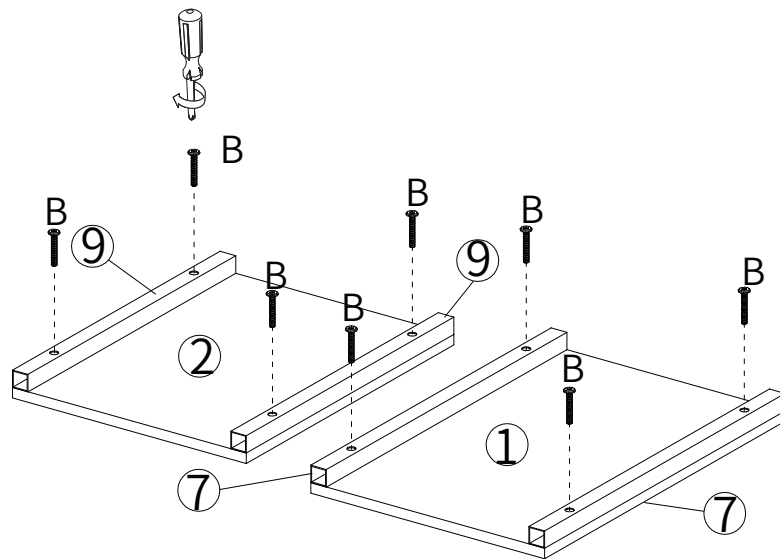
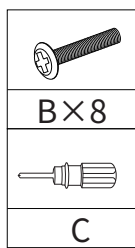
### STEP 1



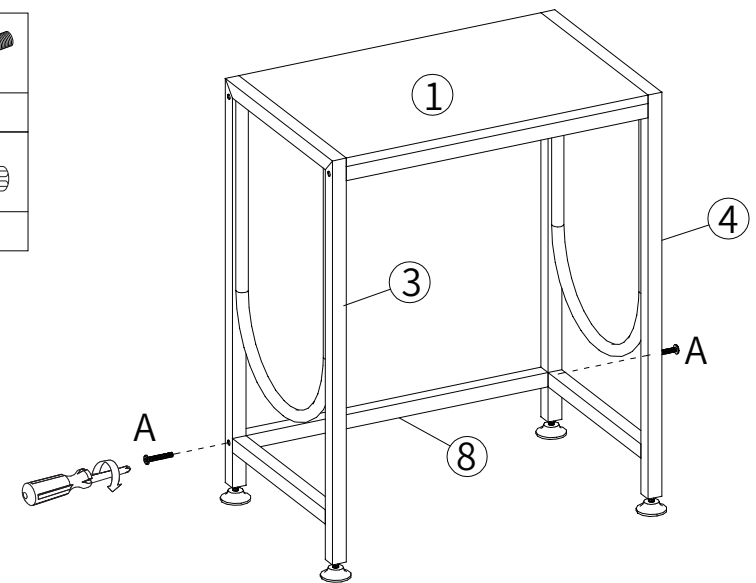
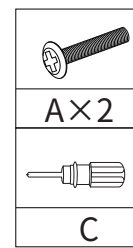
### STEP 3



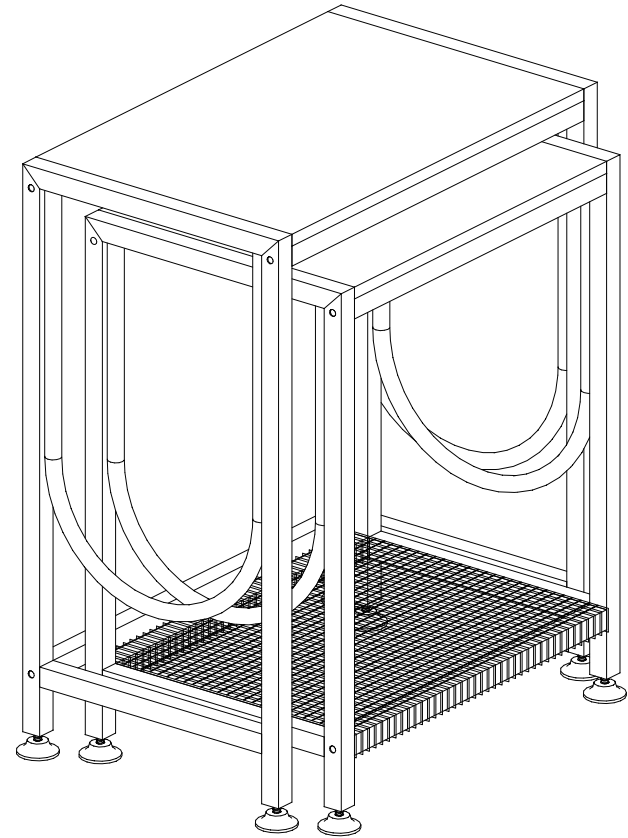
### STEP 2



### STEP 4







# INSTALLATION MANUAL

—  
U-Symbol Nesting Table