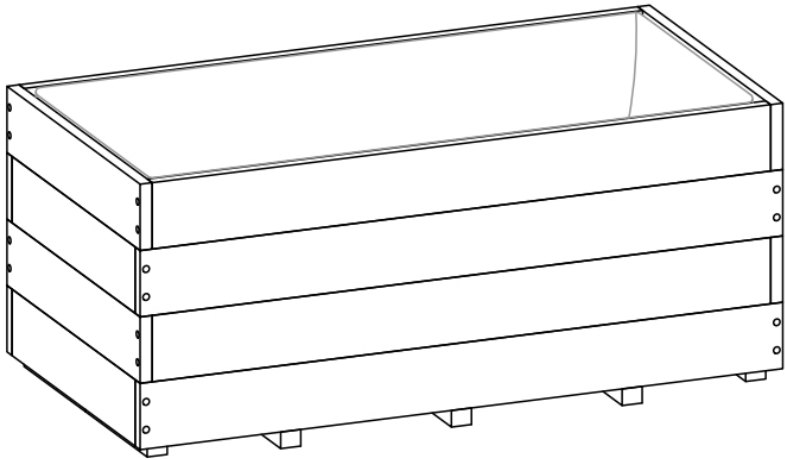


PPT1074

# Outdoor Wooden Planter Box

## Installation Manual



## **GENERAL GUIDELINES**

1. Please read the following instructions carefully and use the product accordingly.
2. Please keep this manual and transfer it if you ever transfer the product.
3. This summary may not include every detail of all possible variation and the steps required to achieve them. Please contact us when further information and help are needed.
4. The outdoor wooden planter box is intended exclusively for private use and is not suitable for commercial use.

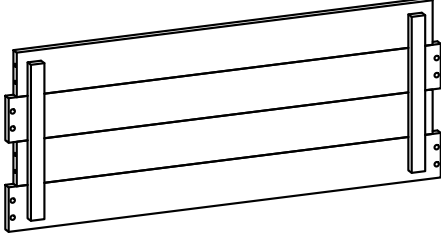
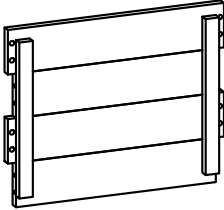

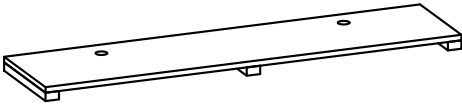

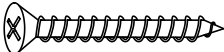

## **NOTE**

1. The product must be assembled and used in accordance with the provisions of the manual.
2. Avoid long-term exposure to humid environments to prevent mildew.
3. Keep the product away from fire sources and high temperatures. Do not expose the product to direct sunlight.
4. Do not place any hot objects on the surface of the product.
5. If there are any defective or missing parts after unpacking, please cease assembly immediately and contact us.
6. Please assemble the item on a spacious surface and do not place the unwrapped product directly on the ground to avoid product damage.
7. Please do not stand or sit on the wooden boards.
8. Please keep the product away from sharp, pointed objects and corrosive substances to prevent product damage.

## **WARNINGS**

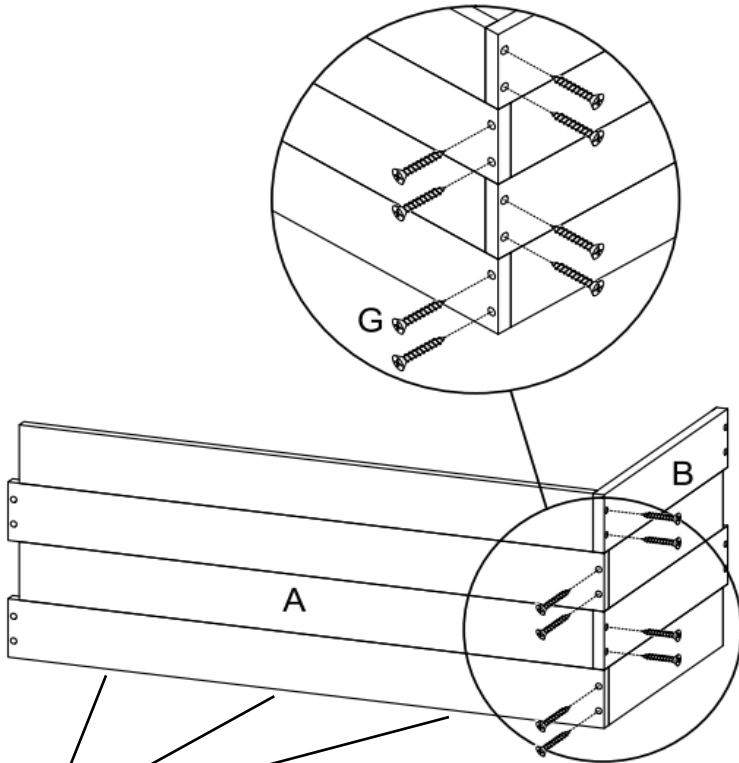
1. Children are not allowed to assemble the product. During assembly, keep all small parts out of the reach of children as they may be fatal if swallowed or inhaled.
2. Children are forbidden to climb or play on the product to avoid serious bodily injury caused by any potential fall.

# Assembly Parts List

No.	Picture	Name	Number
A	 A perspective drawing of a rectangular panel with three horizontal slats. It features vertical end rails with small rectangular protrusions on the outer edges.	Front and back panel	2
B	 A perspective drawing of a rectangular panel with three horizontal slats. It features vertical end rails with small rectangular protrusions on the outer edges, similar to part A but shown from a different angle.	Side panel	2
C	 A simple perspective drawing of a long, thin, rectangular wooden strip.	Support wooden strip	3
D	 A perspective drawing of a rectangular panel with a slightly raised edge on one side. It has two small circular holes on its top surface.	Bottom panel	2
E	 A perspective drawing of a rectangular, open-top bag or container with slightly curved sides.	Non-woven bag	1
F	 A perspective drawing of a long, threaded screw with a Phillips head.	Long screw	6
G	 A perspective drawing of a short, threaded screw with a Phillips head.	short screw	32

# STEP 1

Secure front panel( part A ) to side panel (part B)  
with short screw G x8pcs.

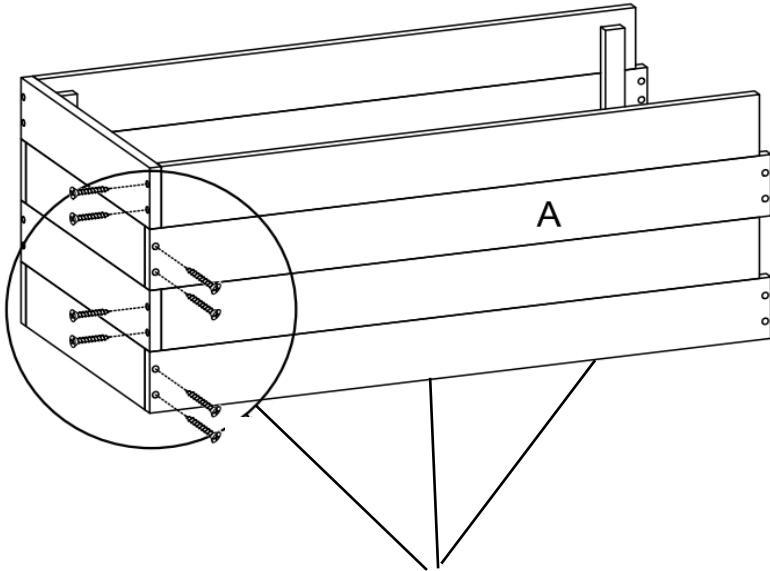


Friendly note: Panel A's bottom has three pre-drilled holes.



## STEP 2

Secure back panel( part A ) to side panel (part B)  
with short screw G x8pcs.

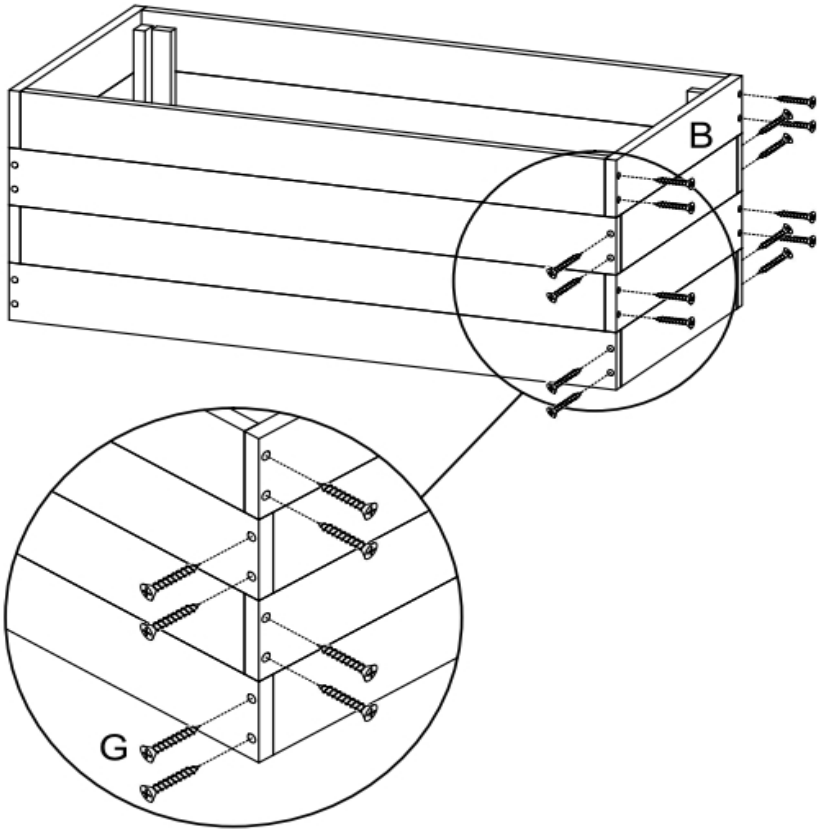


Friendly note: Panel A's bottom has three  
pre-drilled holes.



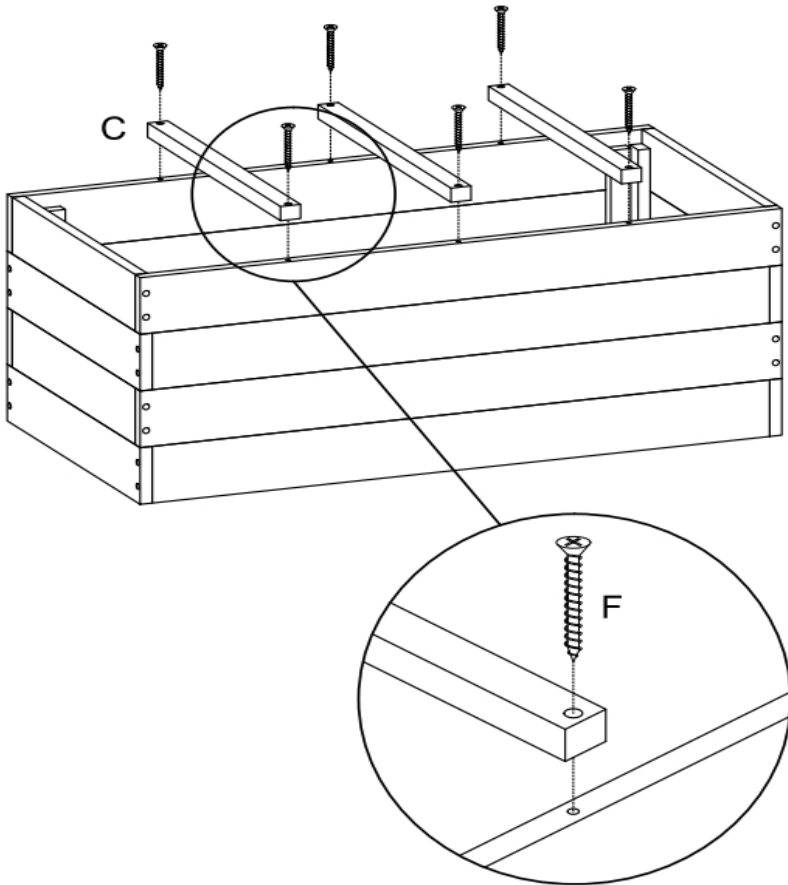
# STEP 3

Secure side panel( part B) to front and back panel with short screw Gx 16pcs.



## STEP 4

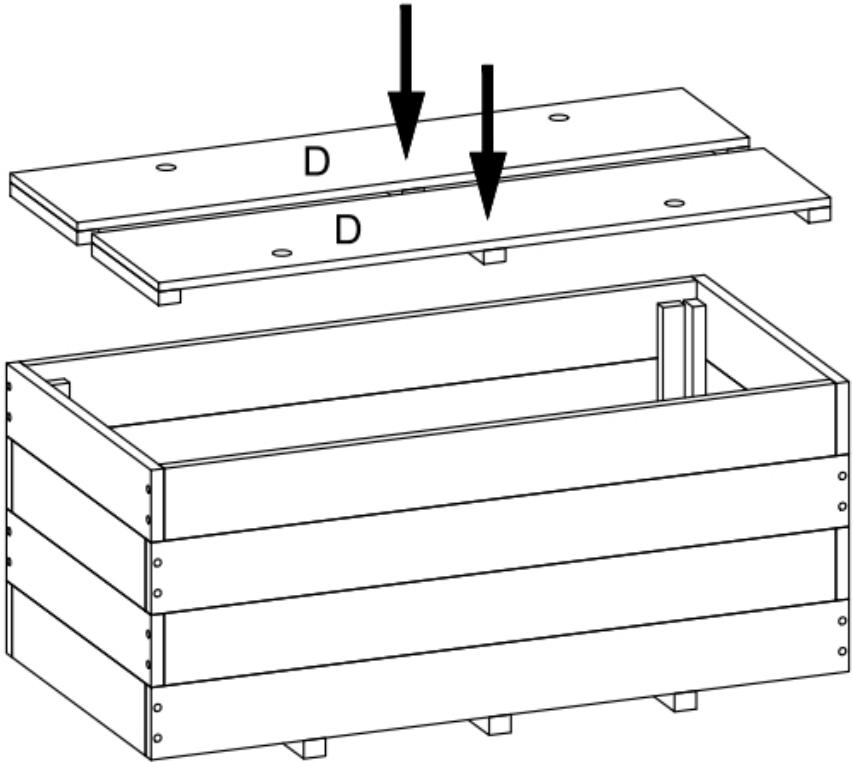
Secure support wooden strip ( part C )to the bottom of planter box with long screw Fx6pcs.



 Fx6PCS

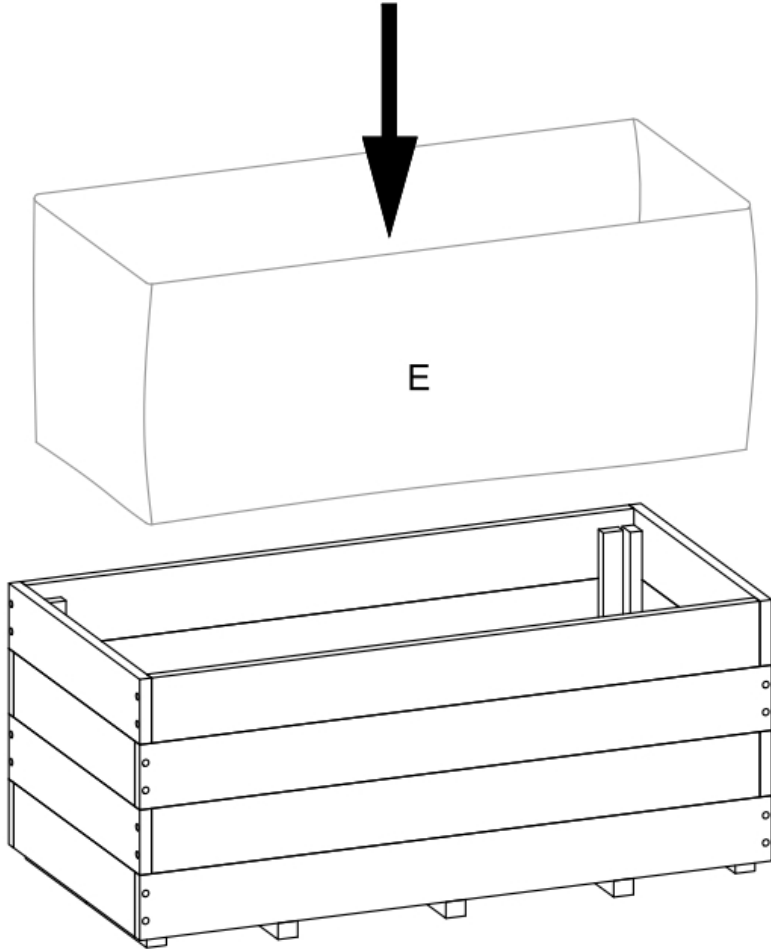
## STEP 5

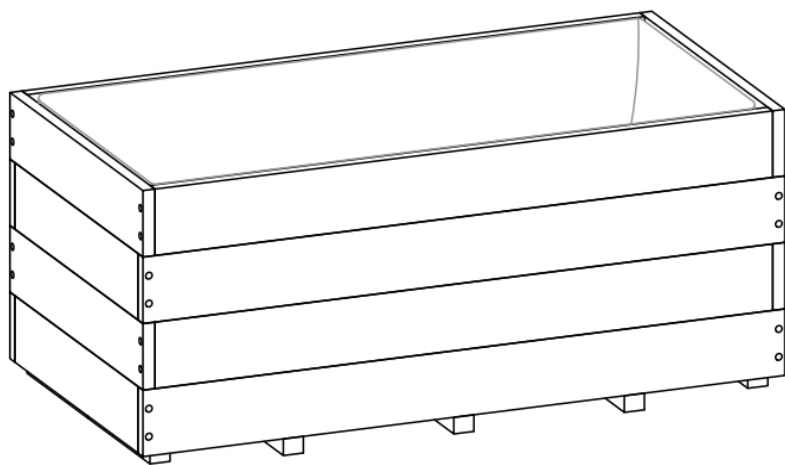
Place the bottom panel (part D) to planter box.



## STEP 6

Place the non-woven bag(part E) to planter box.







PPT1074

## Outdoor Wooden Planter Box

