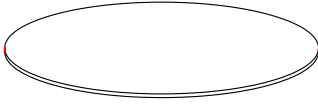
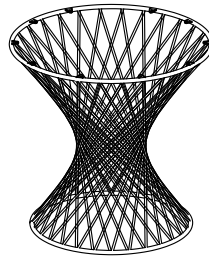


# Product Assembly Instructions

## PART LIST



A : TABLE TOP x1



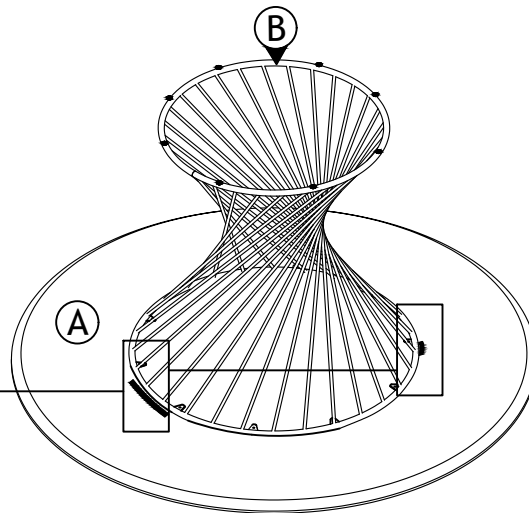
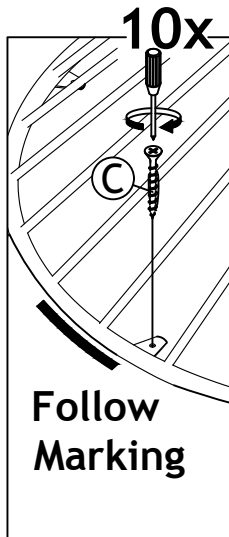
B : METAL LEG x1

## HARDWARE LIST

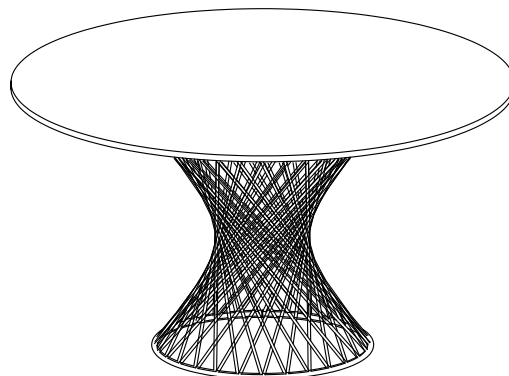


C : PAN HEAD SCREW M4 x 16MM x10

### STEP 1



### STEP 2

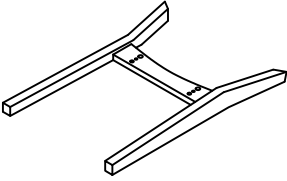
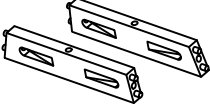
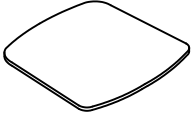
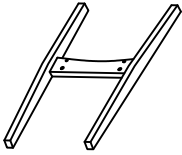
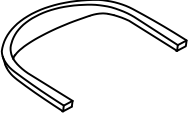


ASSEMBLY COMPLETED








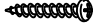
# Product Assembly Instructions

## DINING CHAIR

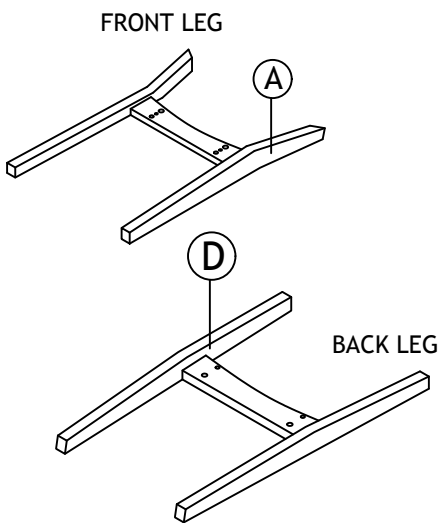
### PART LIST

 <p>A : FRONT LEG <span style="float: right;">x1</span></p>	 <p>B : RAIL (L &amp; R) <span style="float: right;">x2</span></p>	 <p>C : VENEER SEAT <span style="float: right;">x1</span></p>
 <p>D : BACK LEG <span style="float: right;">x1</span></p>	 <p>E : BACK VENEERS <span style="float: right;">x1</span></p>	

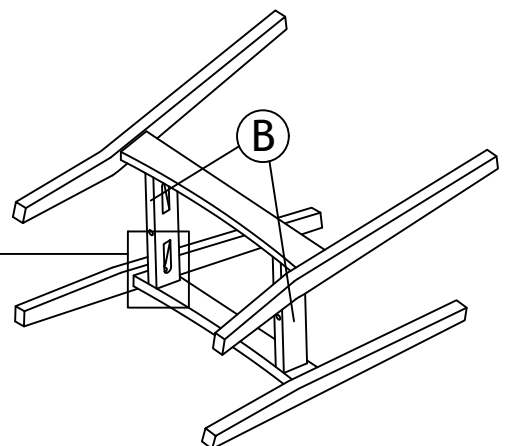
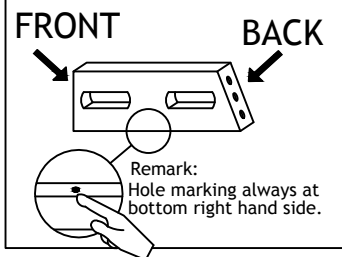
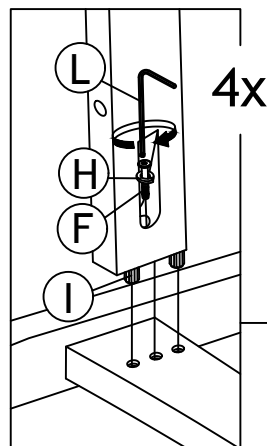
### HARDWARE LIST

 <p>F : JCBC SCREW M6 x 50MM <span style="float: right;">x4</span></p>	 <p>G : JCBC SCREW M6 x 60MM <span style="float: right;">x2</span></p>	 <p>H : SPRING WASHER 1/4" <span style="float: right;">x6</span></p>
 <p>I : WOOD DOWEL DIA 8 x 30mm <span style="float: right;">x8</span></p>	 <p>J : CSK SOCKET SCREW M6 x 25MM <span style="float: right;">x4</span></p>	 <p>K : METAL PLATE <span style="float: right;">x4</span></p>
 <p>L : M4 ALLEN KEY (BALL SHAPE) LONG <span style="float: right;">x1</span></p>	 <p>M : PAN HEAD SCREW M4 x 16MM <span style="float: right;">x4</span></p>	

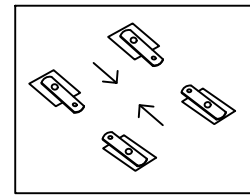
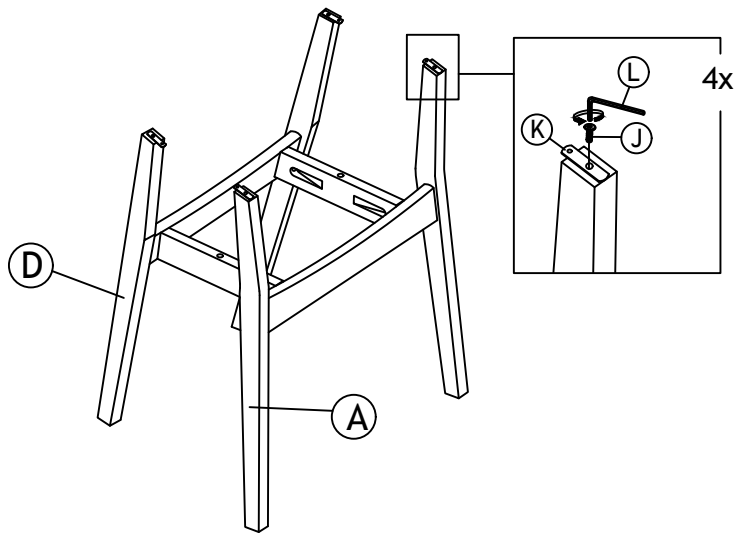
#### STEP 1



#### STEP 2

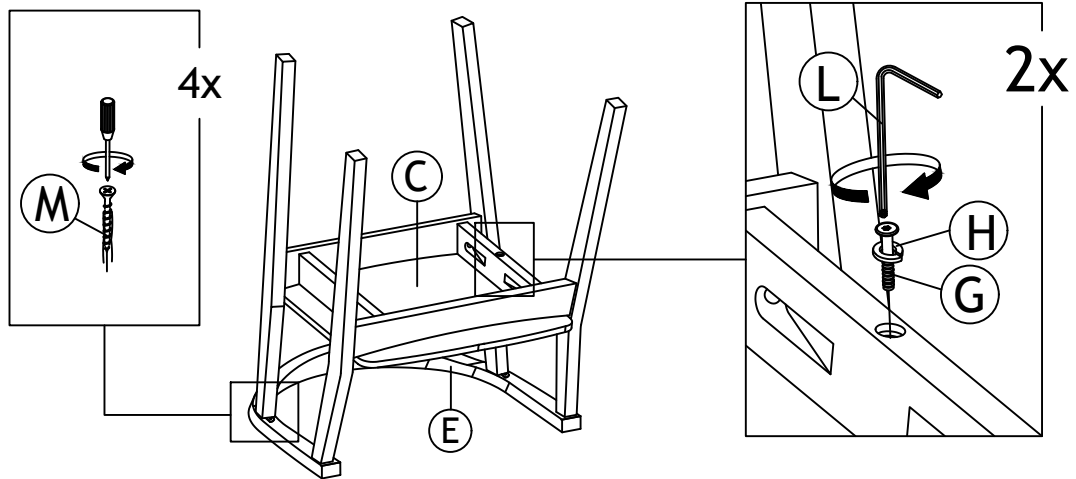


### STEP 3



Remark:  
When assembly, make sure  
direction face to each other.

### STEP 4



### STEP 5

