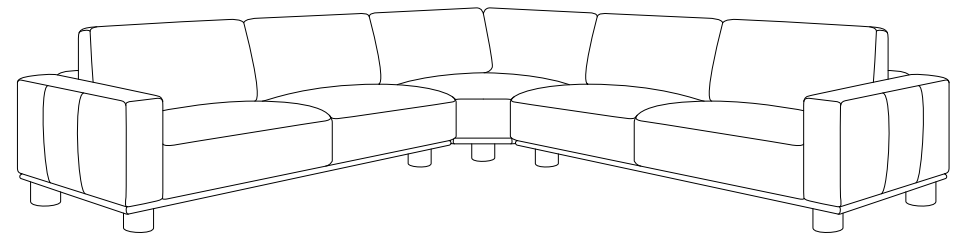


# ELLYN LEATHER L-SHAPED SECTIONAL

SFV2411A

Assembly Instructions



**Need help?**

Feel free to contact us via emails or call  
if you have any specific question!

**Contact us:**

cs@safavieh.com  
866-422-9070

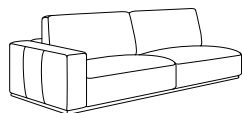
**SAFAVIEH**  
C O U T U R E

## Thanks for bringing Safavieh Couture into your home

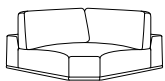
Everything we make is incredibly simple to set up, including your new sofa. You won't need any additional tools.

### Parts List

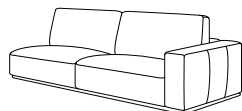
A x 1  
BODY LEFT



B x 1  
BODY CORNER



C x 1  
BODY RIGHT



D x 12  
LEG



E x 4  
SUPPORT LEG



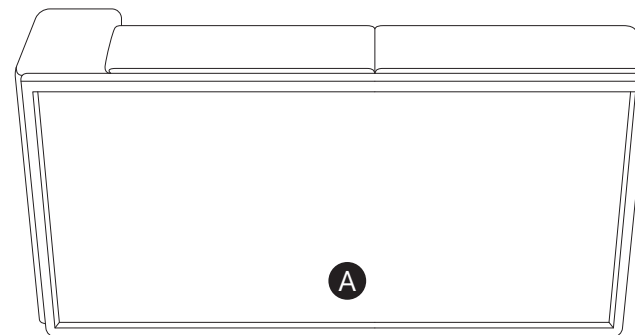
### Hardware List

HW1 x 16  
Plastic Washer



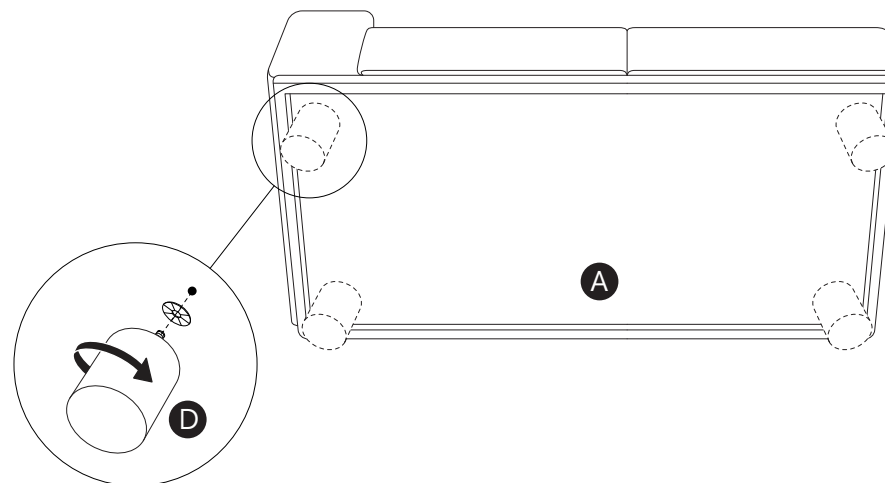
1

Carefully place the Body Left (A) on its back on a padded, non-scratching surface.



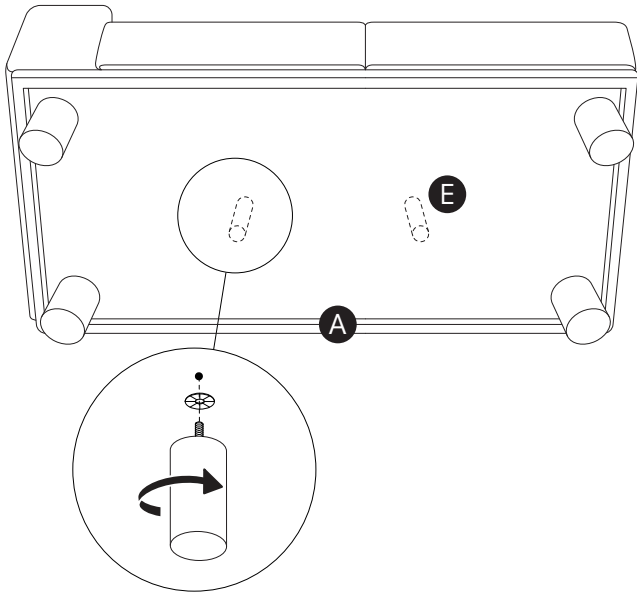
2

Place the Plastic Washer (HW1) on the screws already installed in the Legs (D). Screw the Legs (D) into the 4 corners of the bottom of the Body Left (A) in a clockwise direction until they are fully tightened. Do not over tighten.



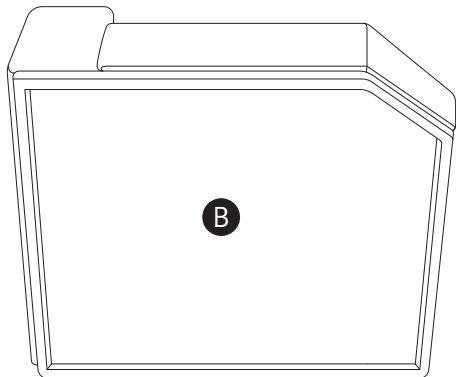
3

Place the Plastic Washer (HW1) on the screws already installed in the Support Legs (E). Screw the Support Legs (E) into the center of the bottom of the Body Left (A) in a clockwise direction until they are fully tightened. Do not over tighten.



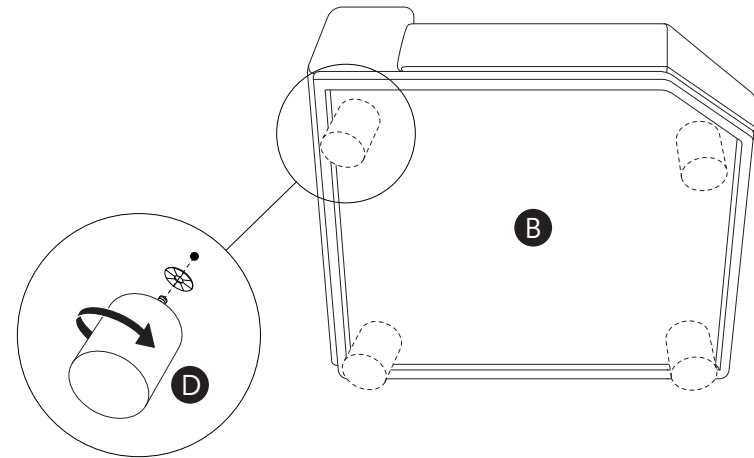
4

Carefully place the Body Corner (B) on its back on a padded, non-scratching surface.



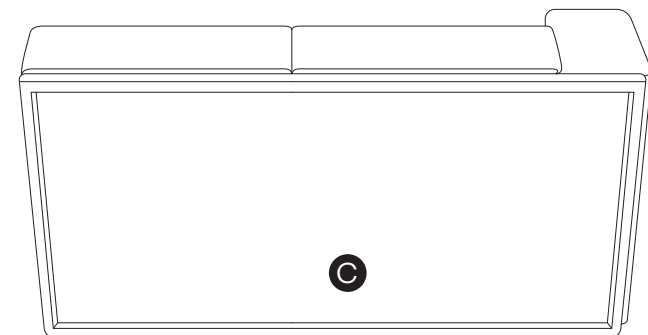
5

Place the Plastic Washer (HW1) on the screws already installed in the Legs (D). Screw the Legs (D) into the 4 corners of the bottom of the Body Corner (B) in a clockwise direction until they are fully tightened. Do not over tighten.

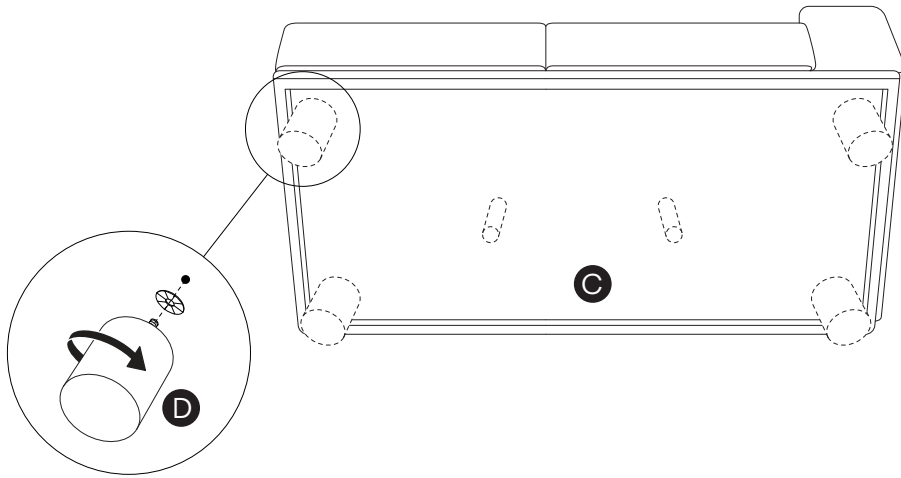


6

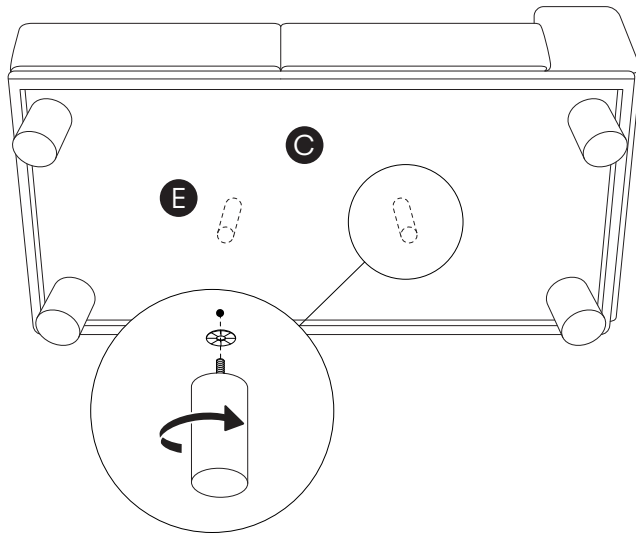
Carefully place the Body Right (C) on its back on a padded, non-scratching surface.



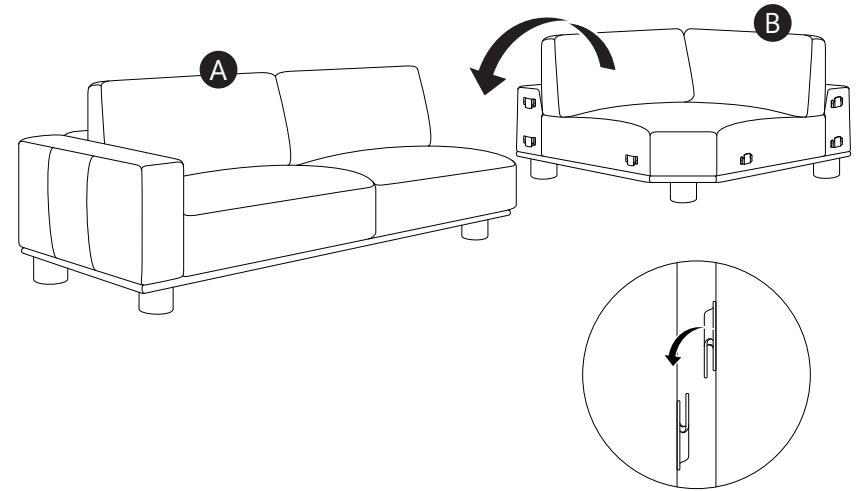
**7**  
Place the Plastic Washer (HW1) on the screws already installed in the Legs (D). Screw the Legs (D) into the 4 corners of the bottom of the Body Right (C) in a clockwise direction until they are fully tightened. Do not over tighten.



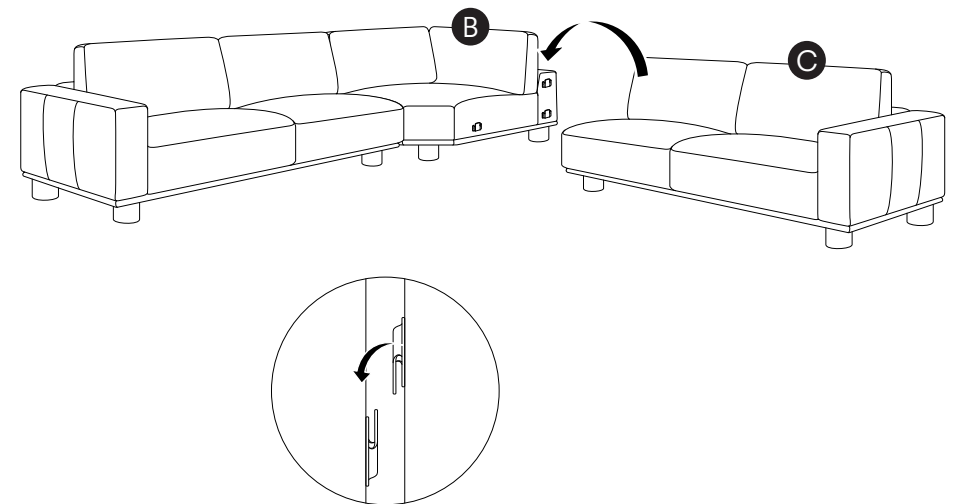
**8**  
Place the Plastic Washer (HW1) on the screws already installed in the Support Legs (E). Screw the Support Legs (E) into the center of the bottom of the Body Right (C) in a clockwise direction until they are fully tightened. Do not over tighten.



**9**  
With the assistance of a second person, carefully lift and align the metal plates on Body Corner (B) to the metal plates on the Body Left (A).



**10**  
Repeat step 9 to connect the Body Right (C) to the Body Corner (B). Note: Hardware may loosen over time. Periodically check that all connections remain tight and adjust as needed.



11

Place the sofa in the place where you will use it. We'd love to see it – just tag us (we're @safavieh) and use the hashtag #safavieh on Instagram!

