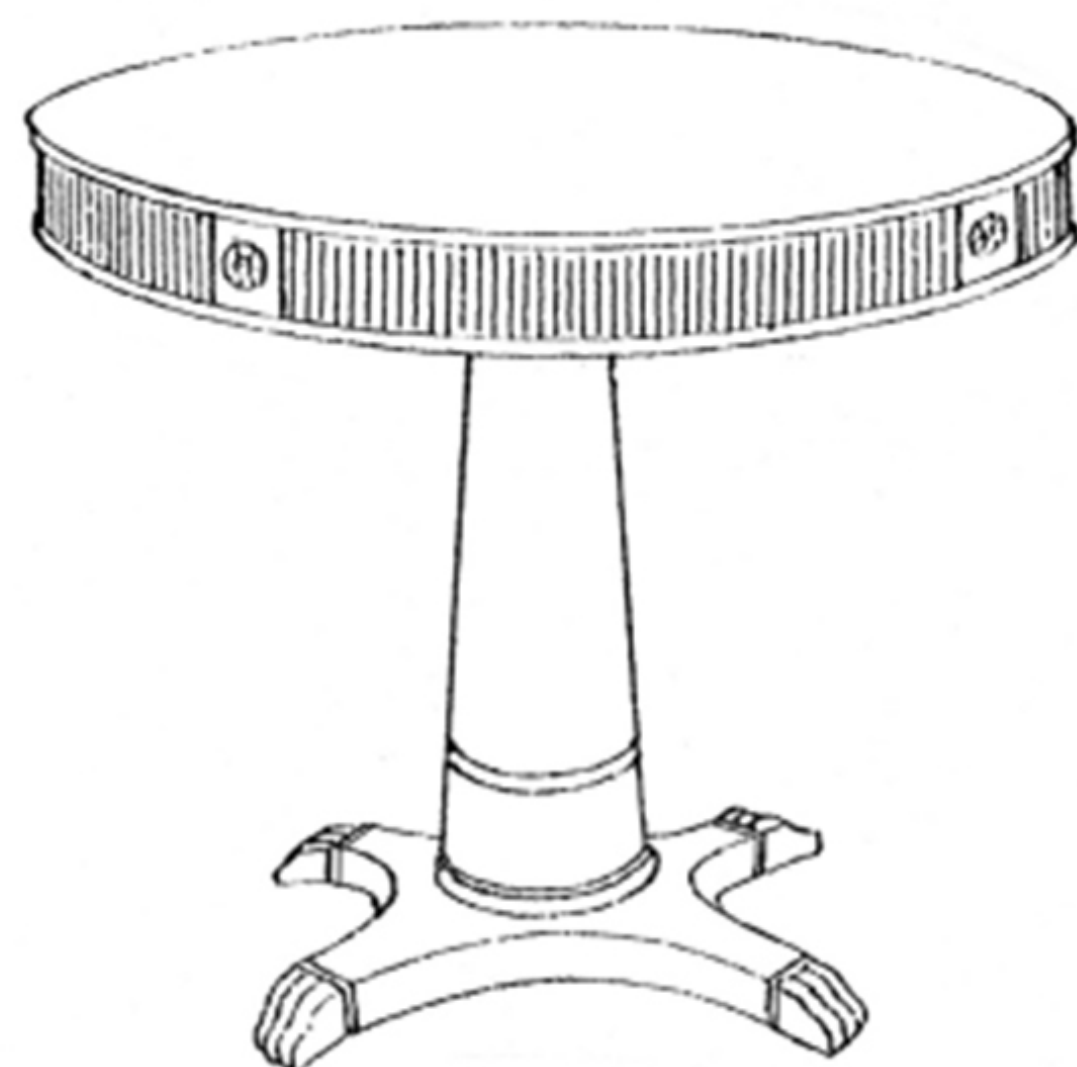


E10# the oval tea side-table construction elucidation diagram

Packing box :

2---1 Front-panel;

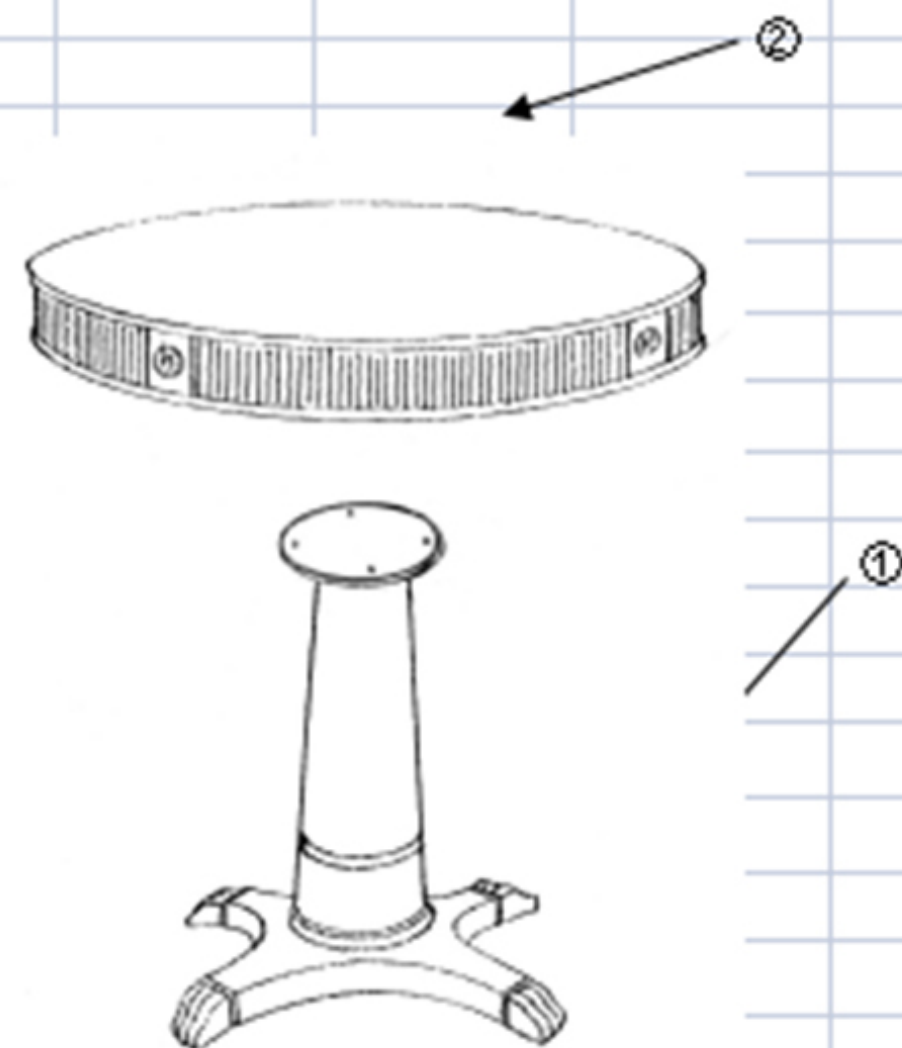
2---2 Feet pillar.



Installation steps:

1; several noodles flat surface that sets upside do to like in the mat up;

2; set upside down the feet pillar on several noodles, align the center, Revolve the tight screw.



Accessories detailed lists

	NAME	Demensioll	Qty	Picture
1	Wood screw	Φ 3*30	4个	