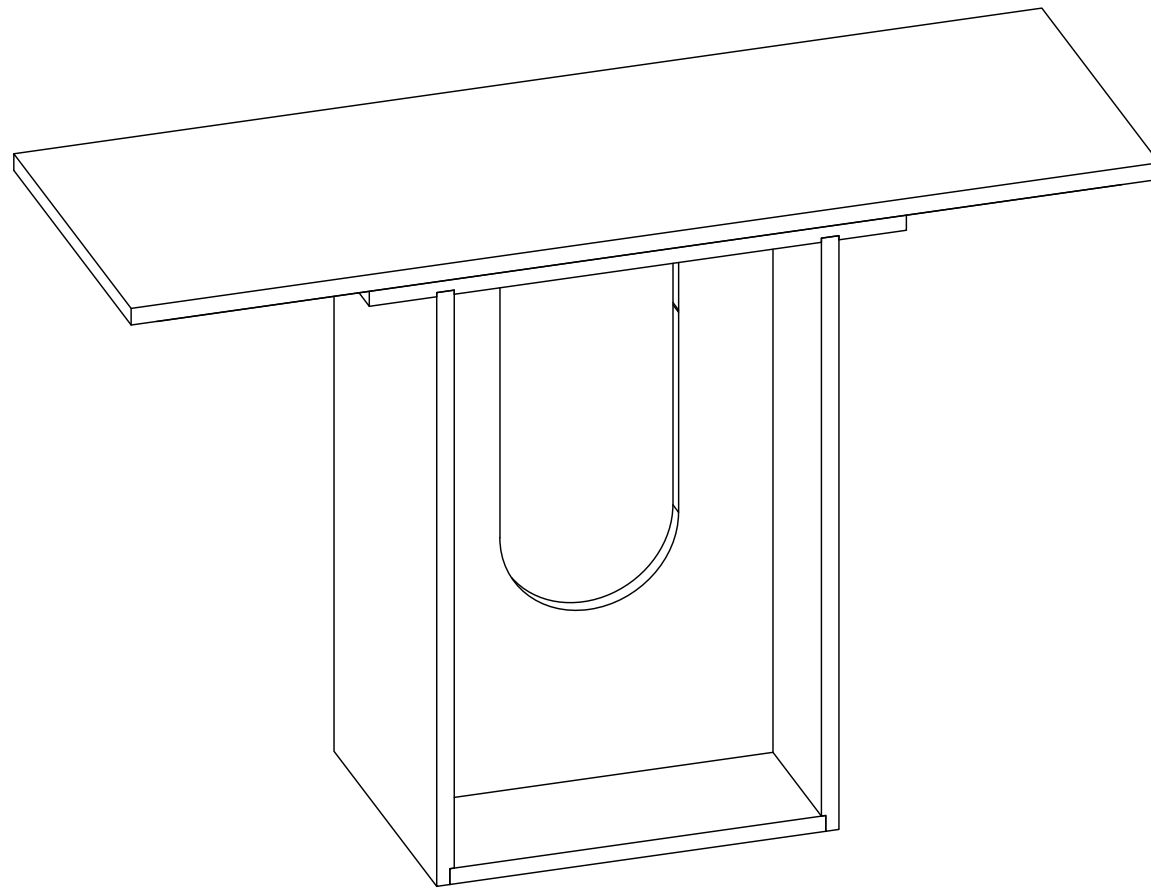


MARBLE CONSOLE TABLE

Assembly Instructions

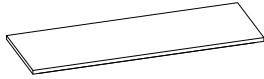


Thanks for bringing Couture into your home

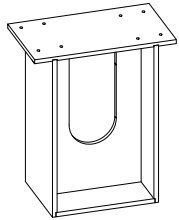
Everything we make is incredibly simple to set up, including your new Console table. You won't need any additional tools.

Parts List

A X 1
Marble Top



B X 1
Base



Hardware List

HW1 x 8
JCB 30X8 mm



HW2 x 8
Flat washer 8X25mm

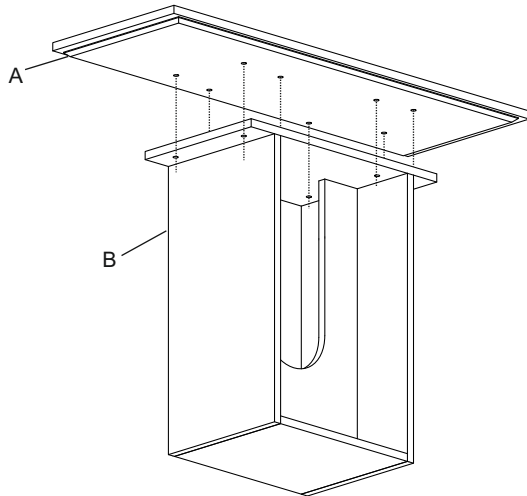


HW3 x 1
Allen Key M5



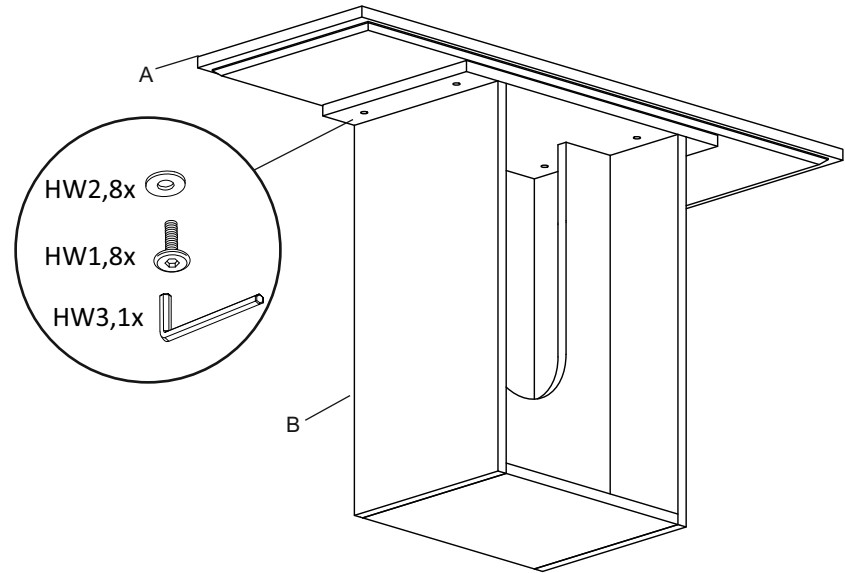
1

Carefully place the marble base (B) upright on a soft surface. Align the screw holes of the marble top (A) to the screw holes on the Marble base (B).



2

Using the Allen Key (HW3), screw in the JCB Bolts (HW1) with the washers (HW2). Firmly tighten the bolts.



3

Place the Console table in the place where you will use it.

