

4 Light Chrome Plated Floor Standard Light with Textured Clear Glass Shades



LIGHT SOURCE DATA

- 4 x 28W Max G9 Eco Halogen (required)
- Lamp direction - Indirect
- Lamp shape - Capsule
- Non-dimmable
- Energy range: A++, A+, A, B, C, D

DIMENSION DATA

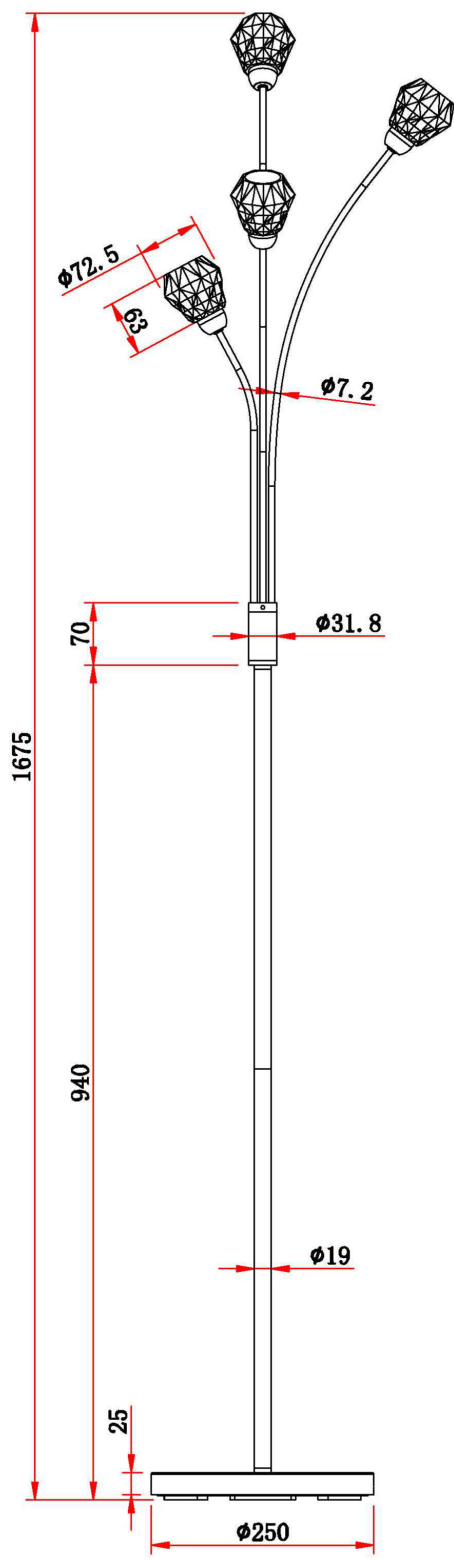
- Height 1675mm
- Width 250mm
- Depth 306mm

SPECIFICATION

- Manufacturer warranty for 2 years from date of purchase
- Polished chrome plate and clear glass
- IP20
- In-line On/Off Foot Switch
- Class II - Double Insulated, No Earth
- 240V
- Assembly required? Yes
- CE Marking, Energy Efficient, Energy Saving

CERTIFICATION





CERTIFICATION

