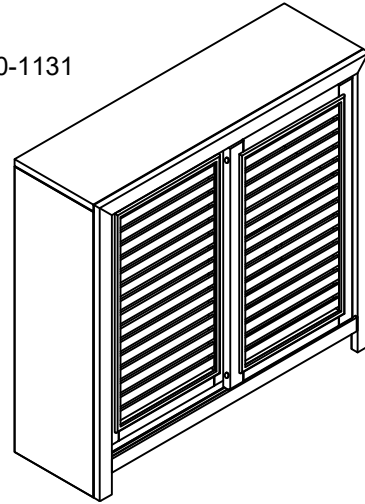


ASSEMBLY INSTRUCTIONS

090-1131

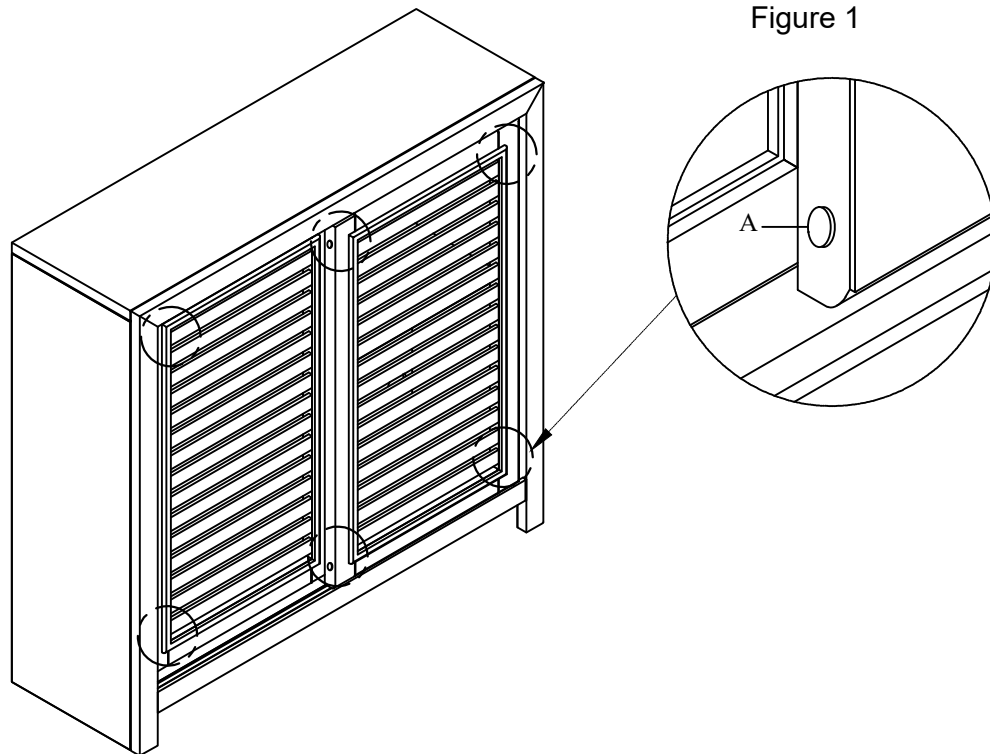


BEFORE YOU START:

1. Check the parts against the parts list to make sure all items are present.
2. Assemble your furniture on a soft, flat surface to avoid scratching the finish.
3. **CAUTION:** Do not over tighten screws, nuts or bolts during assembly.
4. Your furniture may require occasional tightening.

INSTRUCTIONS:

1. Please stick the plastic pad (A) on the cabinet inner frame as Figure 1 shown



No.	Hardware List	Q'ty
A	Plastic Pad (Ø10*2mm)	8