

Assembly Instructions

PACKAGED

- | | |
|-----------------------------|-------------------------------|
| (A) 2 – Wood buttons | (F) 4 – Plastic Spacer |
| (B) 2 – Long Machine Screws | (H) 2 – Support Legs |
| (C) 2 – Lock Washers | (I) 1 – Bottom Stretcher Rail |
| (D) 2 – Flat Washers | (J) 1 – Mirror Frame Assembly |
| (E) 2 – Long Thumb Screws | |

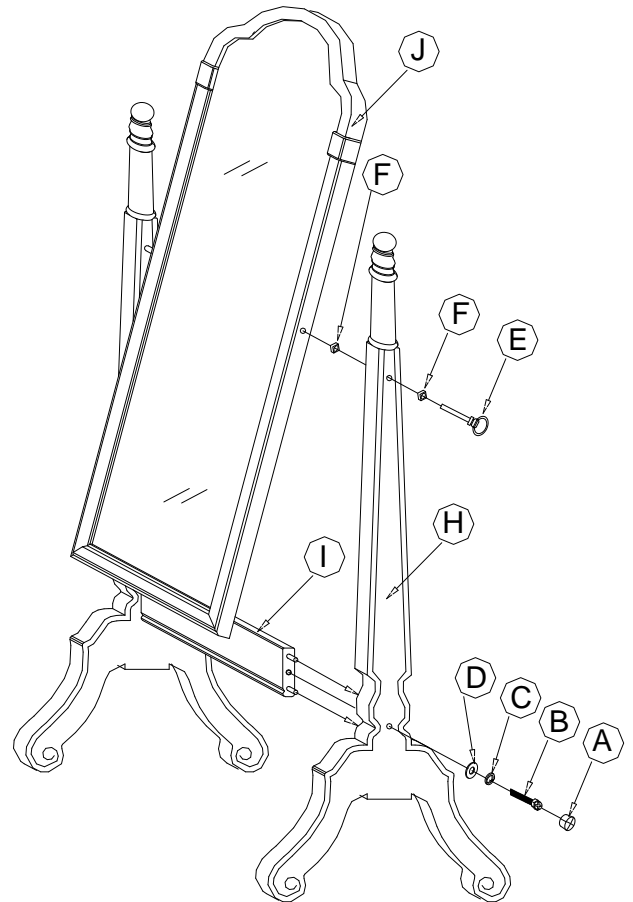
Read all instructions before starting assembly.

Step #1 Remove all the contents from the package checking that all of the components listed in “Packaged” are included. Prepare a flat, protected work surface where the product can be assembled.

Step #2 Align Bottom Stretcher Rail (I) with protruding dowel pins over matching holes in Frame Support Leg Block (H) and push into place. Caution: Stretcher Rail(I) only mounts in one direction to align with center screw hole. Attach one Lock washers (C) over one Long Machine Screw(B). Push thru large hole in leg block into matching threaded insert in Stretcher and securely tighten. Apply a small bead of glue to inside edge of leg block hole and tap wood button (A) into place. Repeat procedure for remaining support leg.

Step #3 Carefully lift Mirror Frame (J) into assembly position. Attach one Plastic spacer (F) onto both sides of the mirror frame. Push Thumb screw (E) thru hole in Support Frame toward the Mirror Frame. Attach one Spacer Washer(G) onto the Thumb Screw. While holding Mirror in position, repeat procedure on remaining support leg. Tip Mirror frame into desired position and tighten both Thumb screws.

NOTE: When adjusting to a new tilt position, Always loosen both Thumb Screws and then securely tighten.



(* Caution: DO NOT OVERTIGHTEN.

In any correspondence regarding this product, please include the complete identification number located on the underside of the product.

We hope this Cheval Mirror will be a useful and decorative addition to your home for years to come.