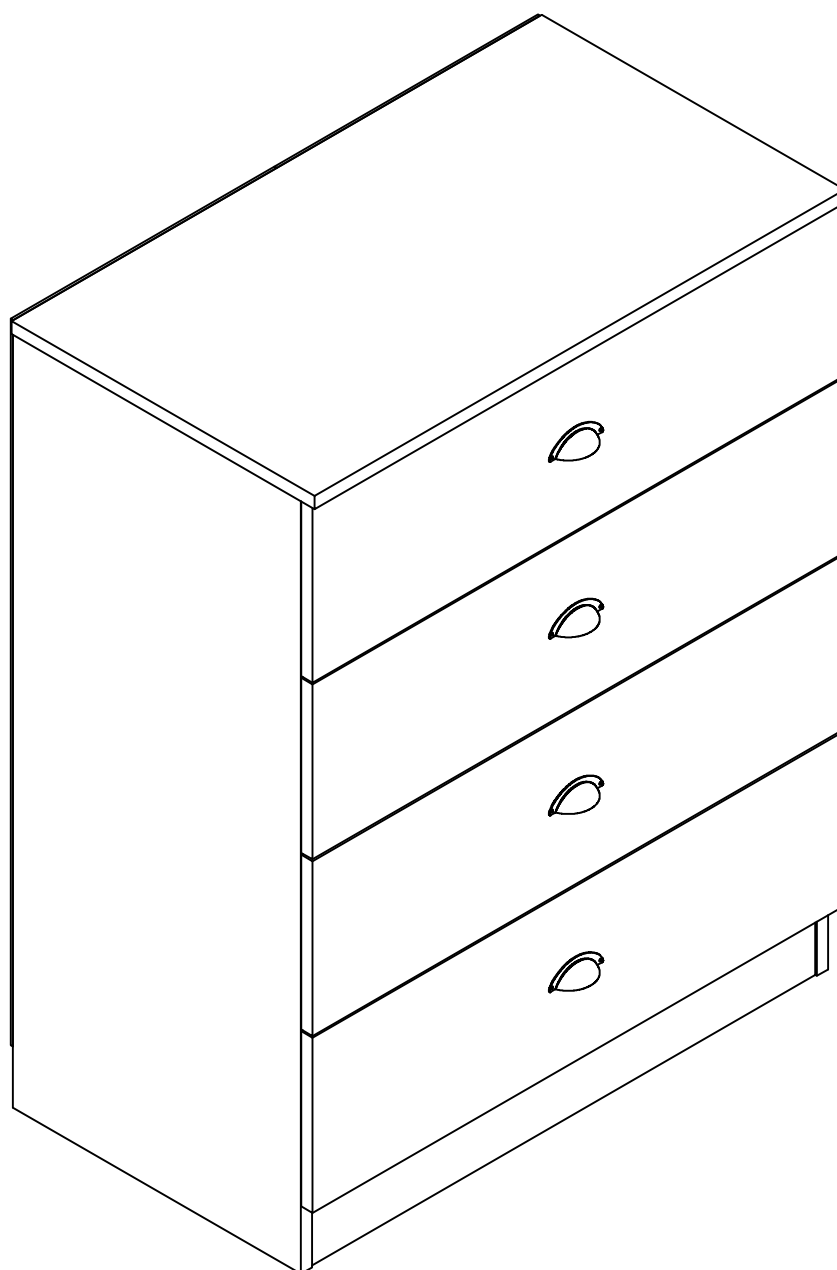


ESHER 4 DRAWER CHEST

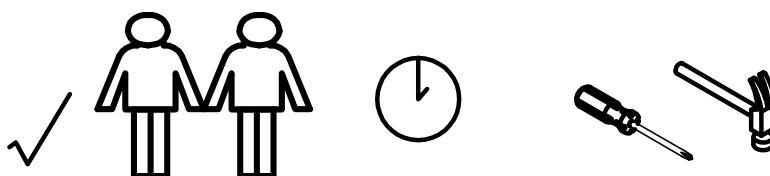
ASSEMBLY INSTRUCTION - Please Keep For Future Reference



Safety and Care Advice

IMPORTANT - Please Read This Instruction Carefully Before Assembly.

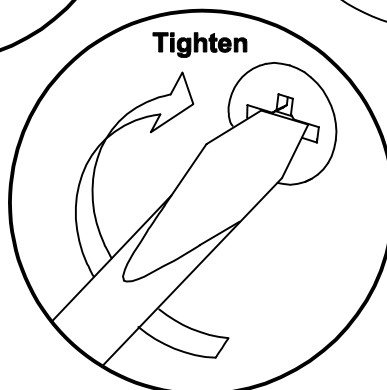
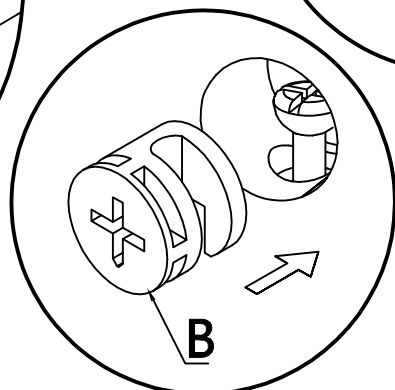
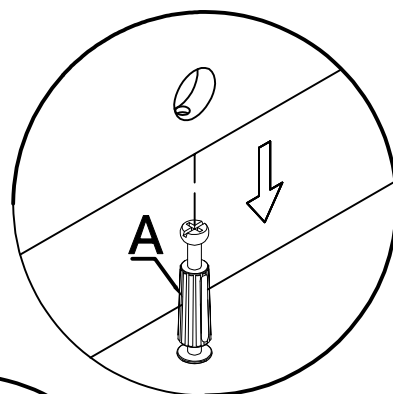
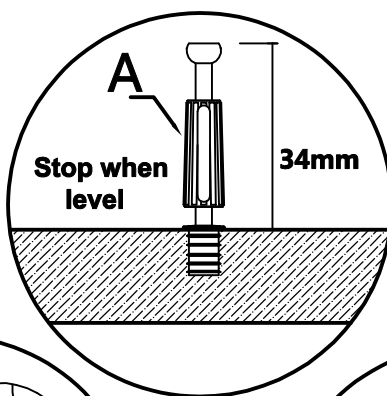
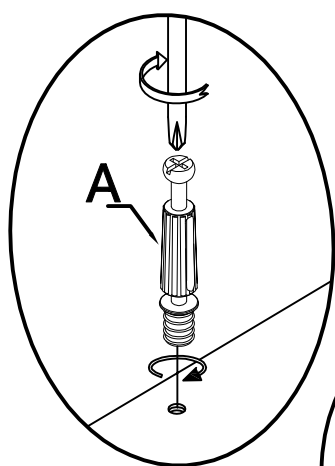
- Check you have all the components and tools listed on page 3.
- Do not stand or put weight on the product, this could cause damage.
- Do not use power drill/drivers for assembly, or the unit may be damaged.
- Remove all settings from the plastic bags and separate them into their groups.
- Assemble the item as close to its intended position (in the same room) as possible.
- Assemble on a soft level surface to avoid damaging the unit.
- Dispose of all packaging carefully and responsibly.
- Keep children and animals away from the work area, small parts could choke if swallowed.
- Parts of the assembly will be easier with 2 people.



CARE and MAINTENANCE

- Only clean using a damp cloth and mild detergent, do not use bleach or abrasive cleaners.
- From time to time check that there are no loose screws on this unit.
- This product should not be discarded with household waste. Take to your local authority waste disposal center.

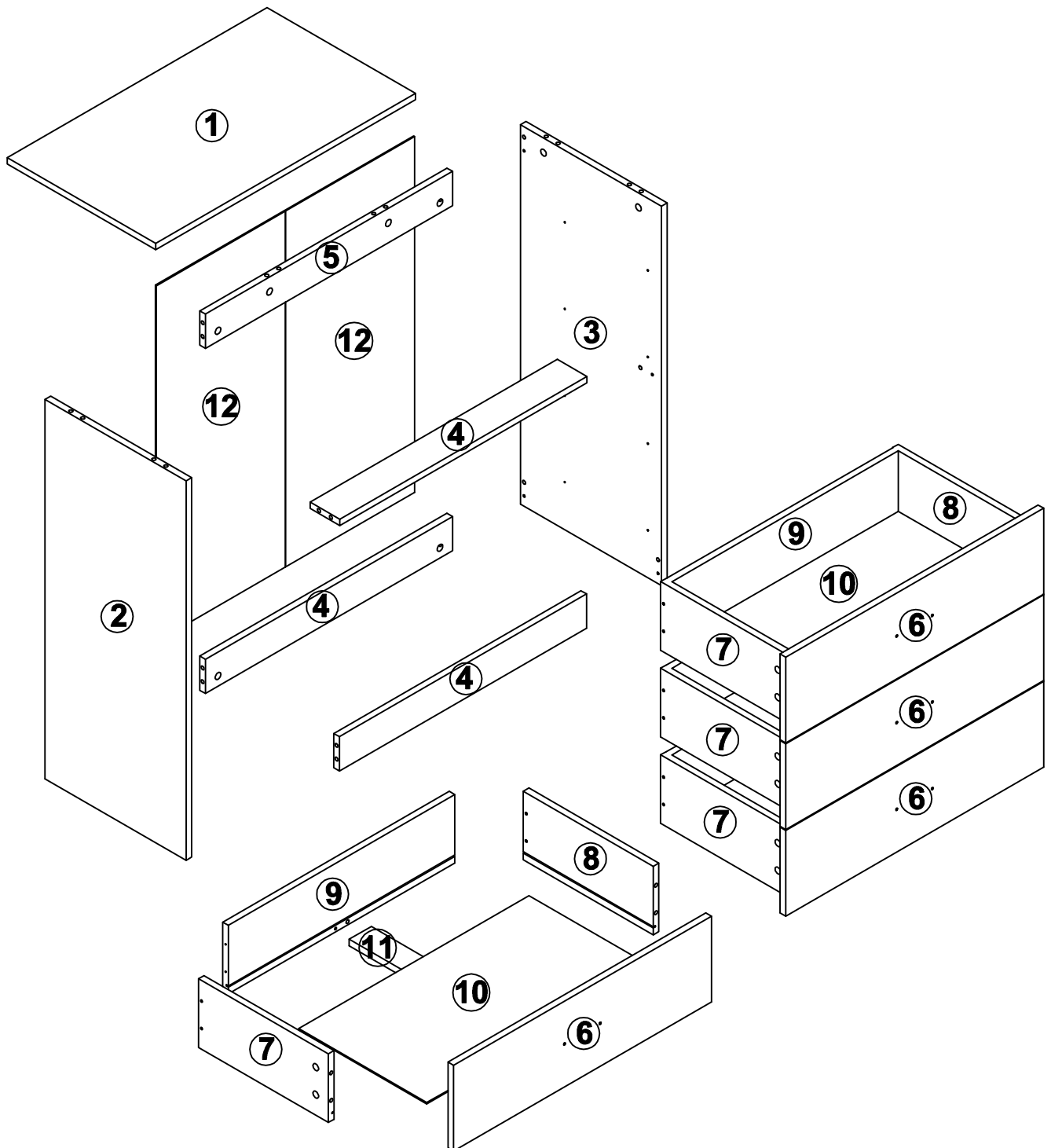
General Hints & Tips



Components and Tools

IMPORTANT - Please Check If You Have All The Components and Tools.

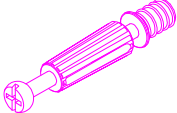
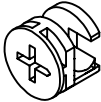
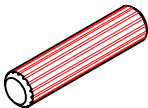
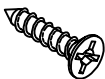
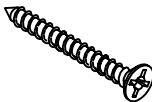
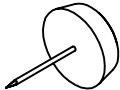




Note: The quantities below are the correct amount to complete the assembly. In some cases more pieces may be supplied than are required.



Components and Tools

IMPORTANT - Please Check If You Have All The Components and Tools.

Note: The quantities below are the correct amount to complete the assembly. In some cases more pieces may be supplied than are required.

<p>A=38</p>  <p>Peg M6*34mm</p>	<p>B=38</p>  <p>Lock M15*12mm</p>	<p>C=22</p>  <p>Dowel M8*30mm</p>	<p>D=32</p>  <p>Screw M3.5*14mm</p>	<p>E=16</p>  <p>Screw M4*38</p>	<p>F=4</p>  <p>Plastic Feet</p>
<p>G=14</p>  <p>Pin</p>	<p>H=8</p>  <p>Screw M4*12</p>	<p>I=4</p>  <p>Handle 69</p>	<p>CR CL DR DL=4</p>  <p>Drawer Runner(14")</p>		

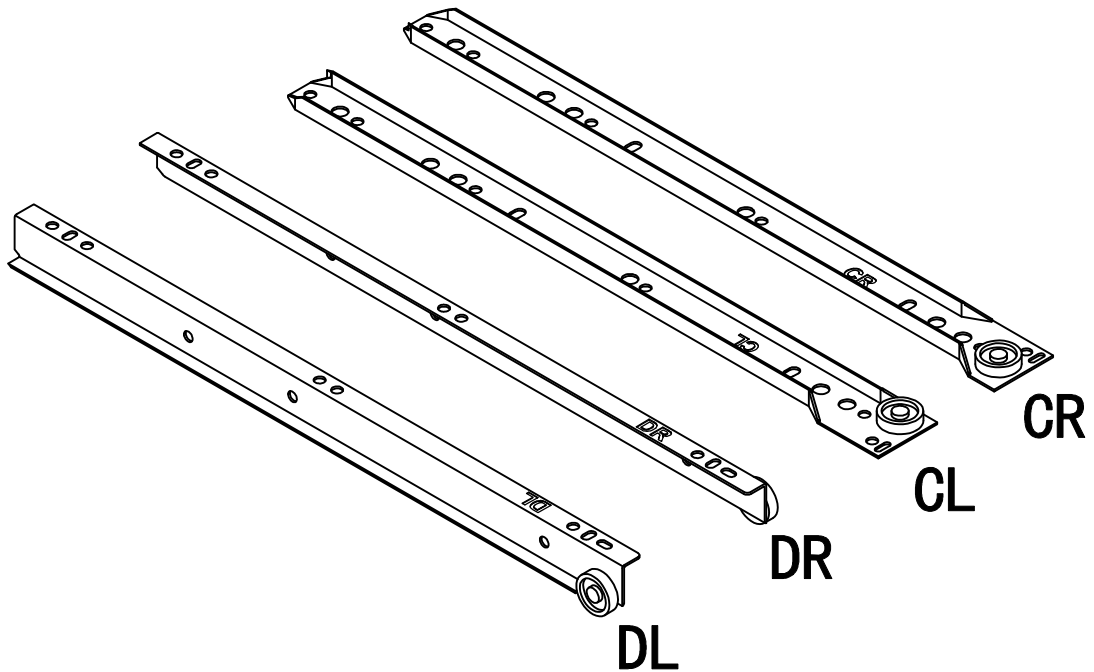
1OF2 ①, ②, ③, ④ X3, ⑤, ⑫ X2.

2OF2 ⑥ X4, ⑦ X4, ⑧ X4, ⑨ X4, ⑩ X4, ⑪ X4, FITTING KIT.

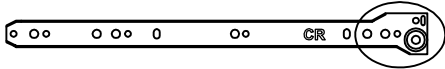
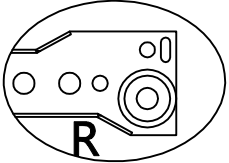
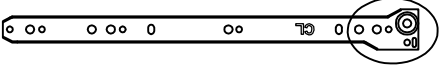
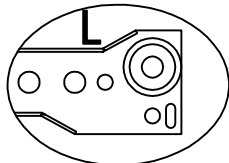

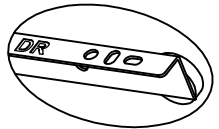
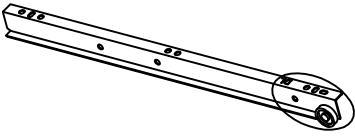
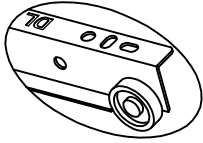
Drawer Runner Instruction

IMPORTANT - Please Read It Carefully.

NOTE: 1 PAIR DRAWER RUNNER INCLUDES 4 PIECES.



Fittings (not to scale)

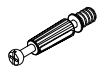
NO.	DESCRIPTION	QTY		
CR	Outer Drawer Runner - Right	4PCS		
CL	Outer Drawer Runner - Left	4PCS		
DR	Inner Drawer Runner - Right	4PCS		
DL	Inner Drawer Runner - Left	4PCS		

Assembly Instruction

Step 1

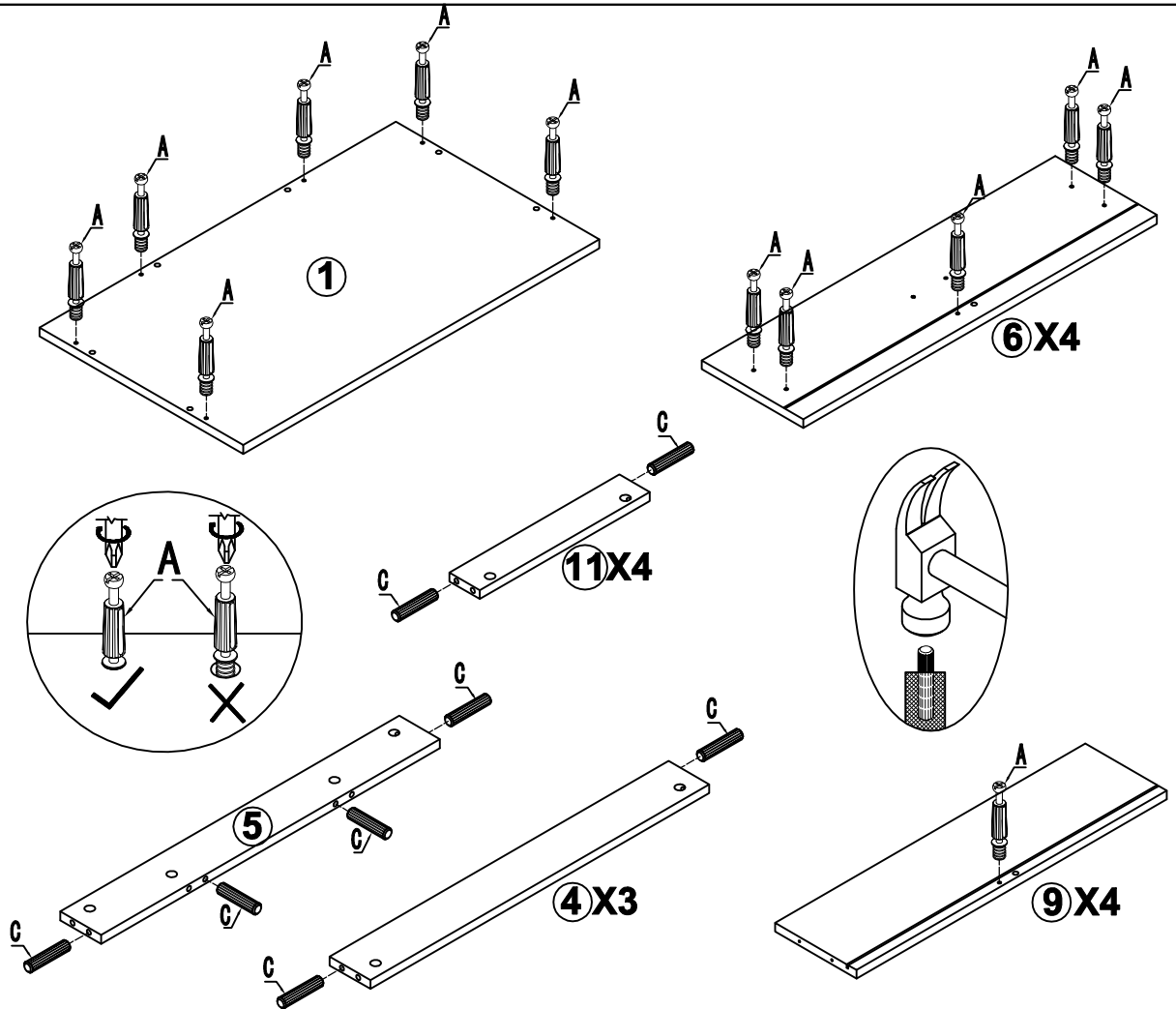
A=30

C=18



Peg

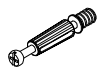
Dowel



Step 2

A=4

C=2



Peg

Dowel

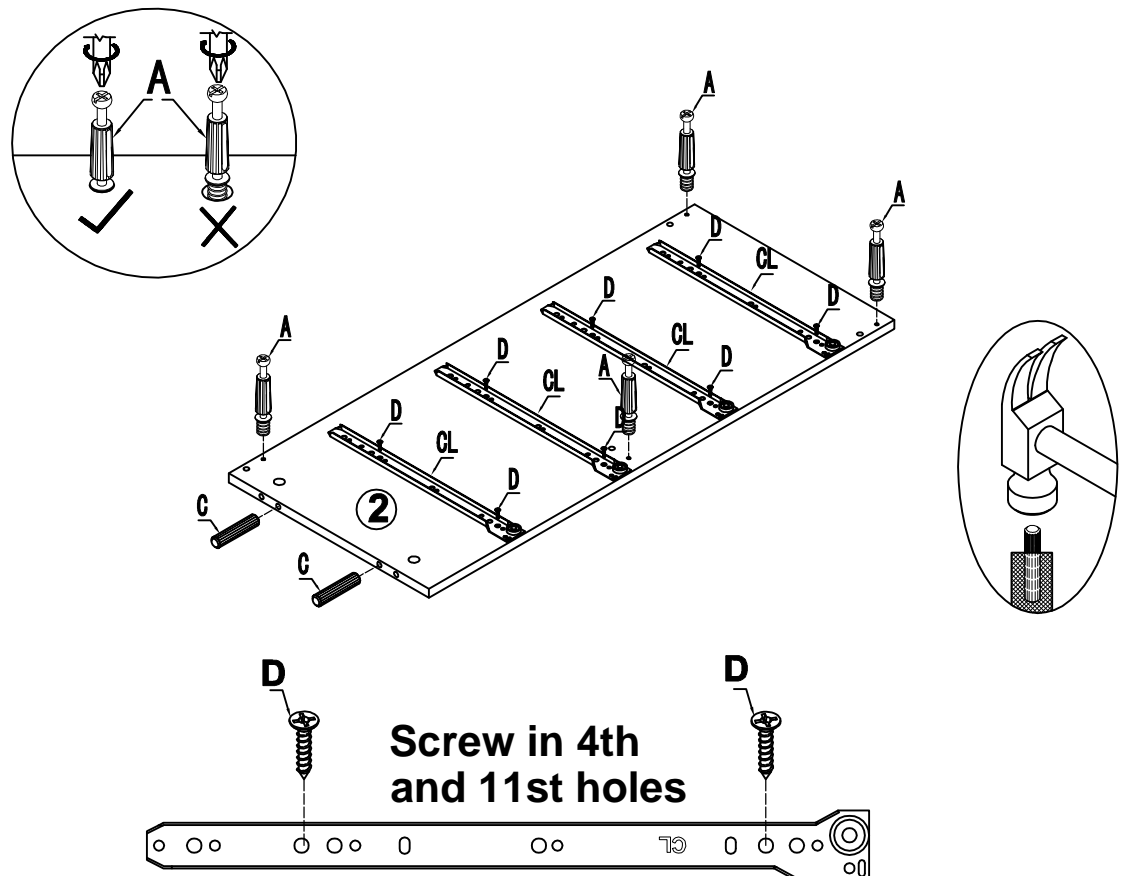
D=8

CL=4



Screw
M3.5*14mm

Runner



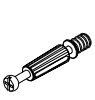
Screw in 4th
and 11st holes

Assembly Instruction

Step 3

A=4

C=2

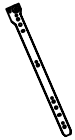


Peg

Dowel

D=8

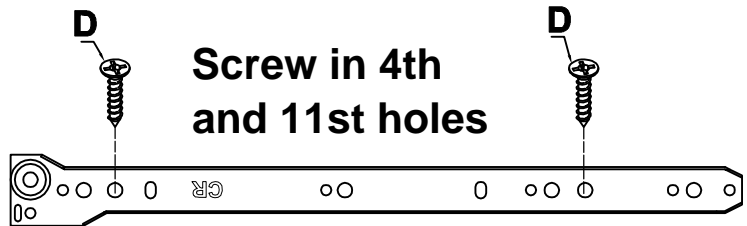
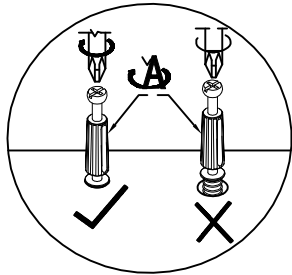
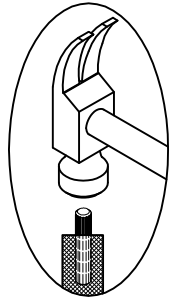
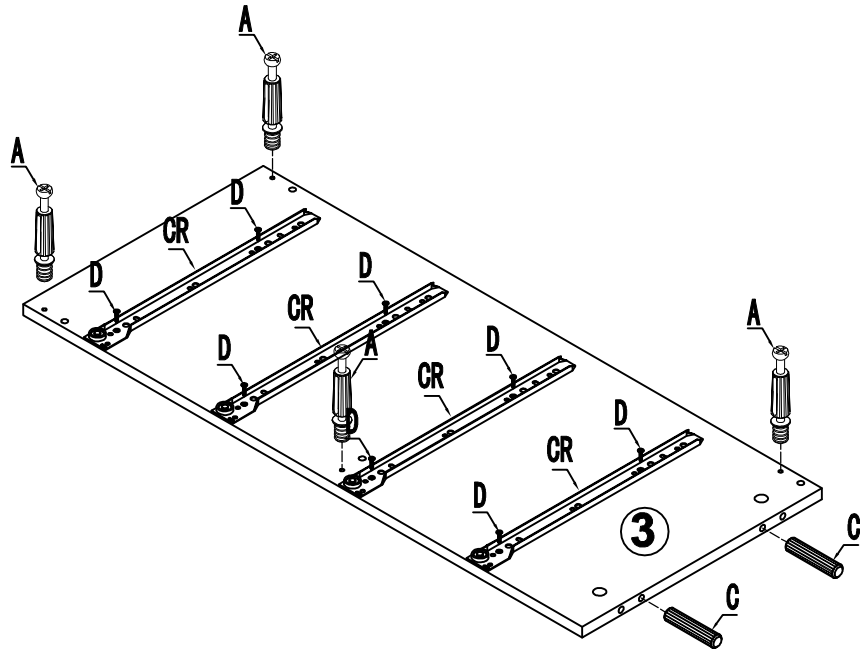
CR=4



Screw

M3.5*14mm

Runner



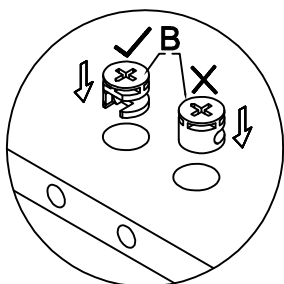
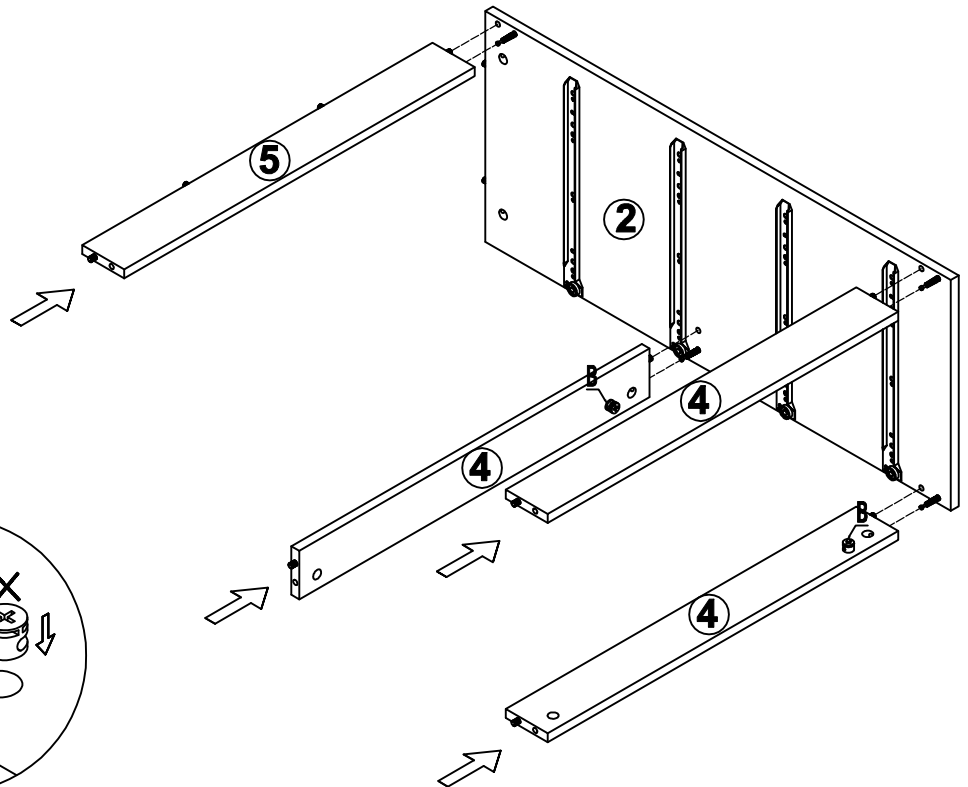
Step 4

B=4



Lock

M15*12



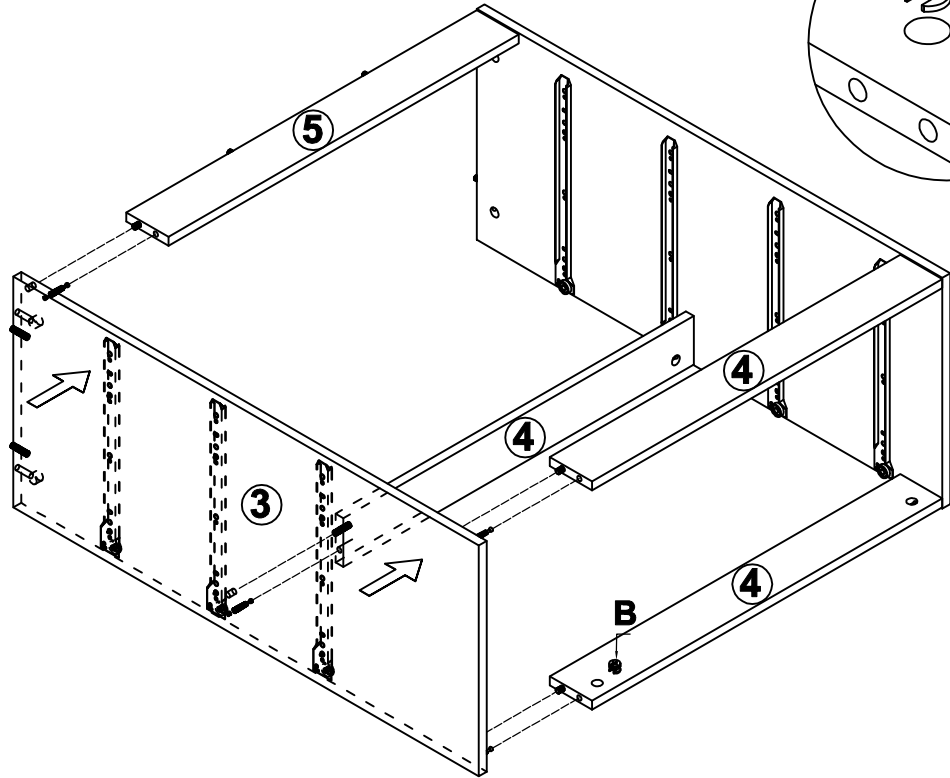
Assembly Instruction

Step 5

B=4



Lock
M15*12

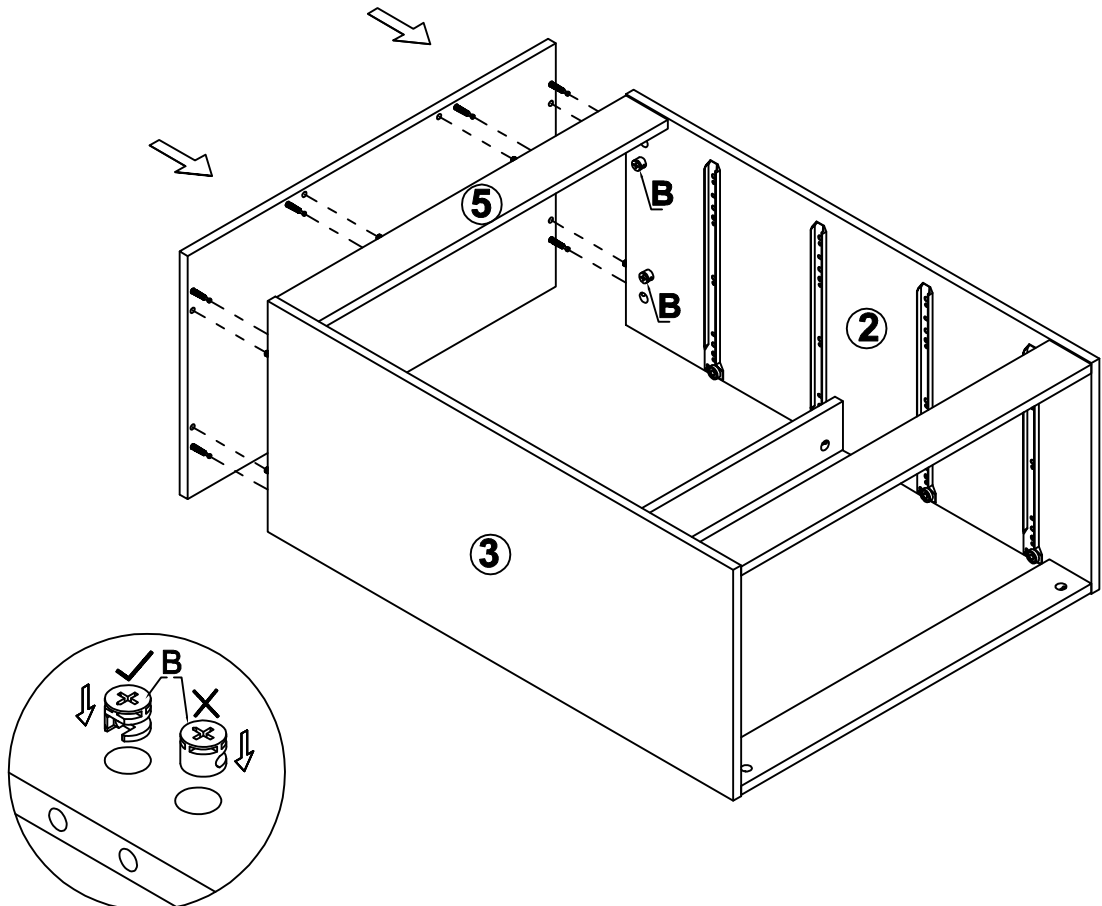


Step 6

B=6



Lock
M15*12



Assembly Instruction

Step 7

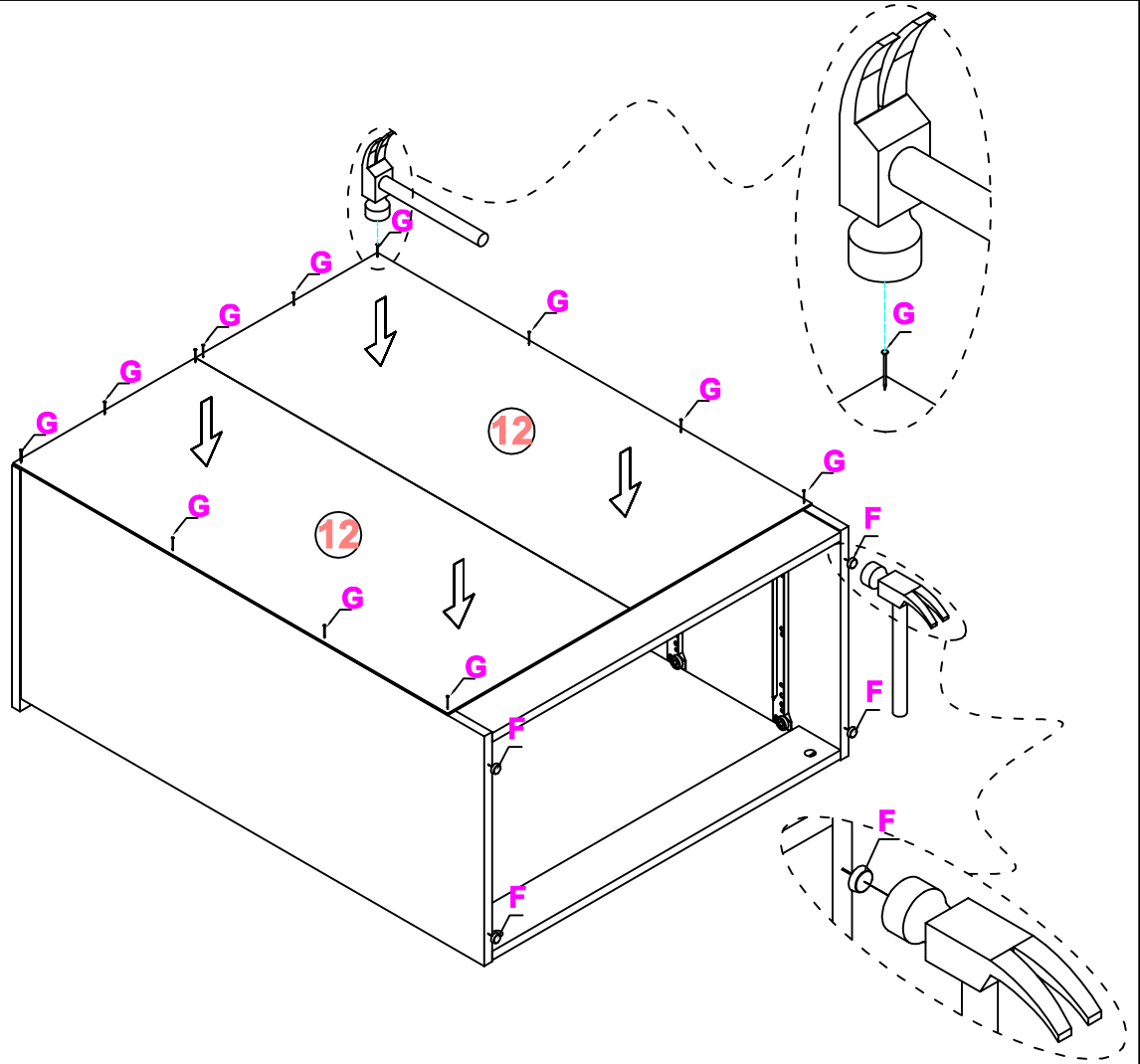
G=12

F=4



Pin

Plastic
Feet

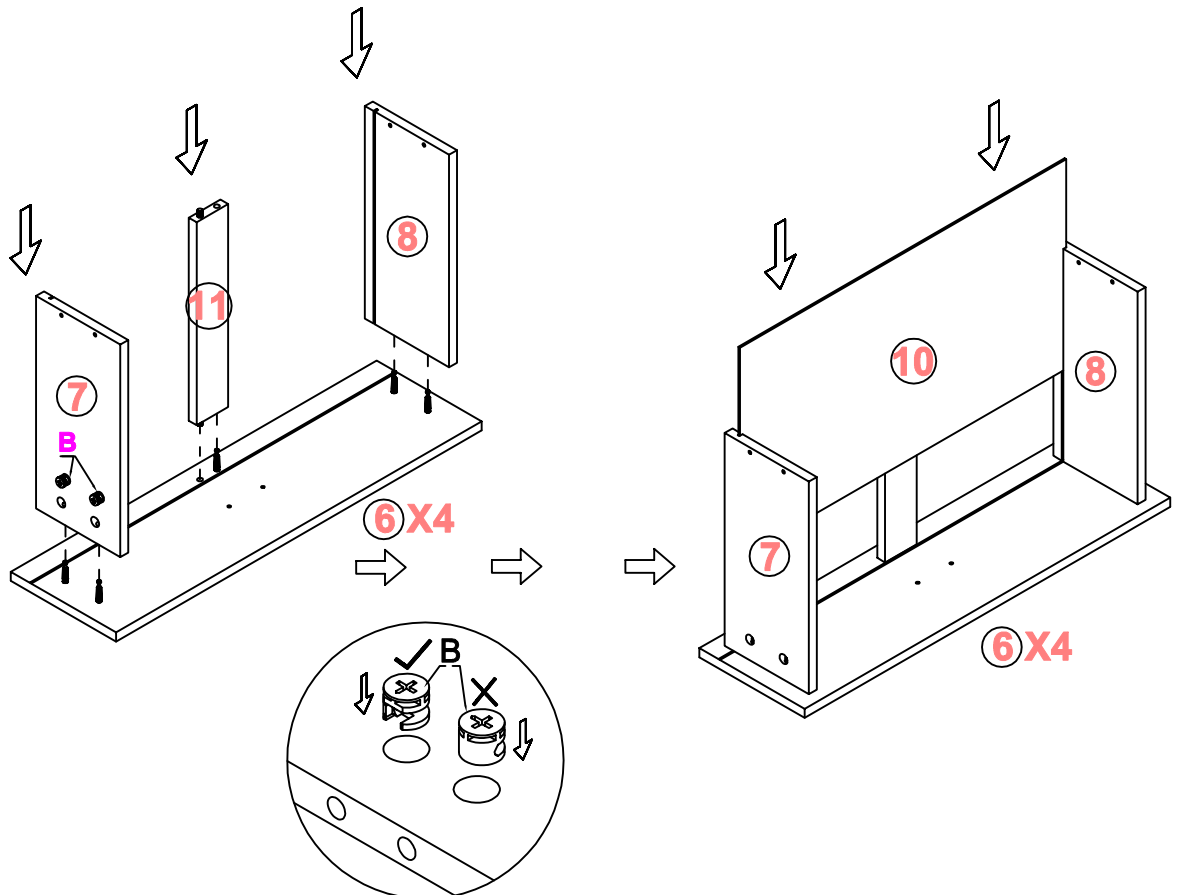


Step 8

B=16



Lock
M15*12



Assembly Instruction

Step 9

E=16

H=8



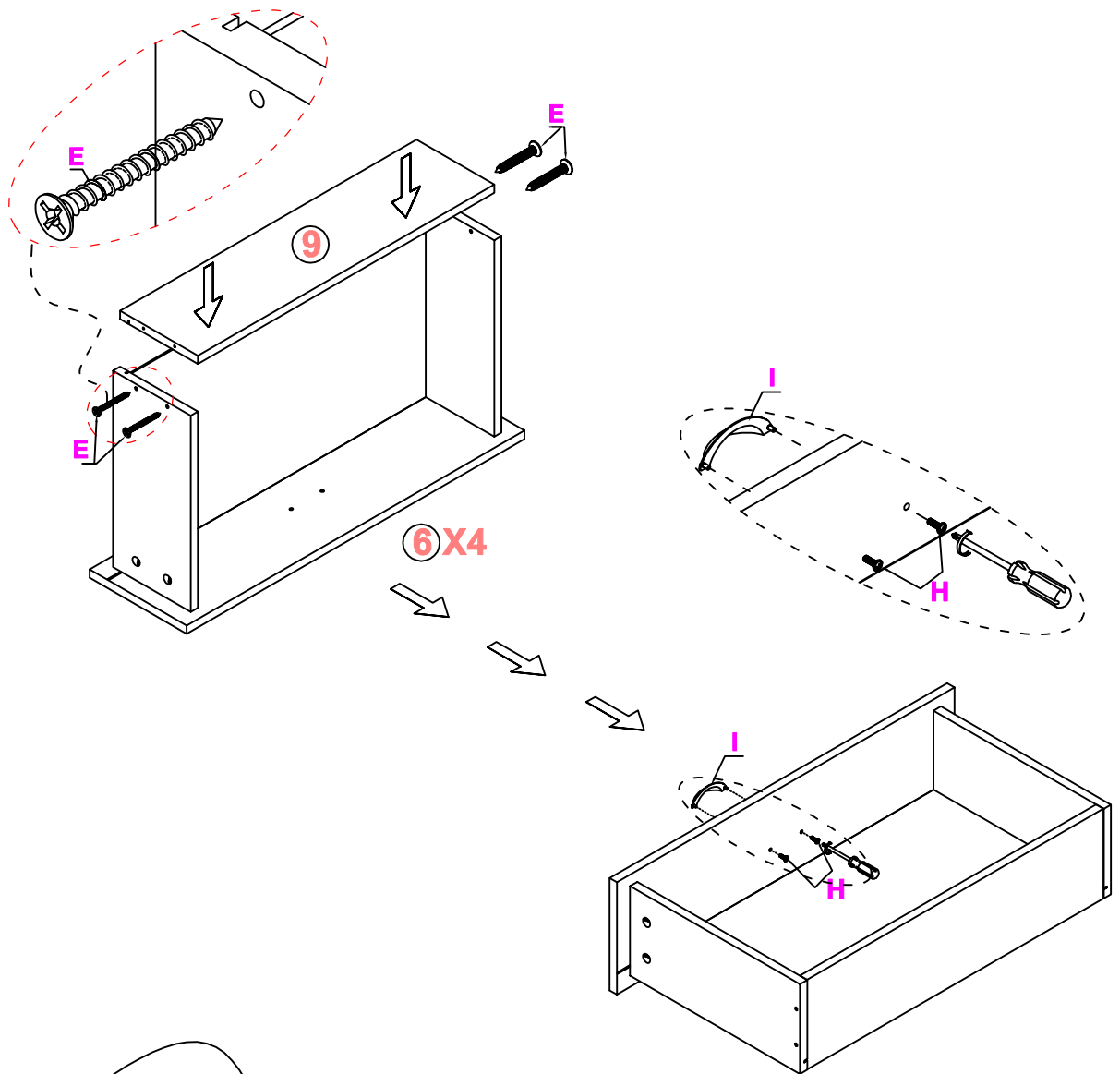
Screw
M4*38mm

Screw
M4*12

I=4



Handle 69



Step 10

B=8

D=16

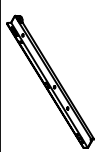


Lock
M15*12

Screw
M3.5*14mm

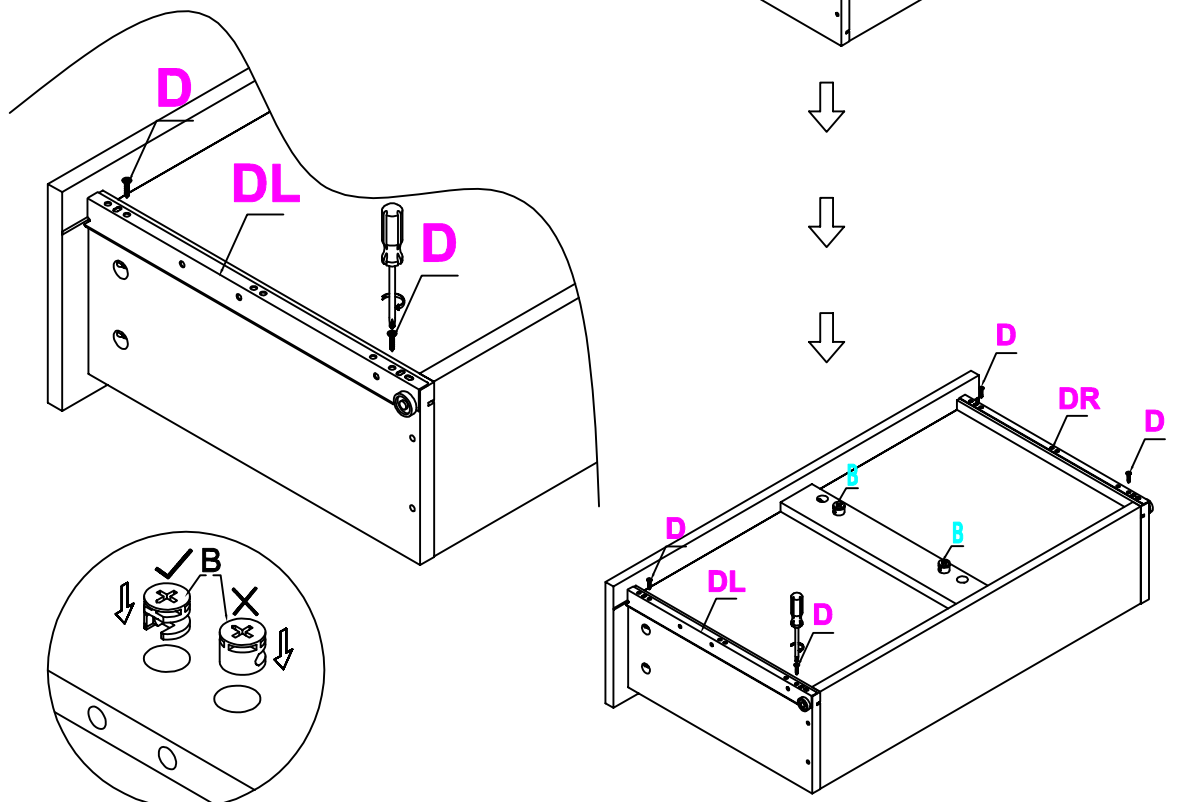
DR=4

DL=4



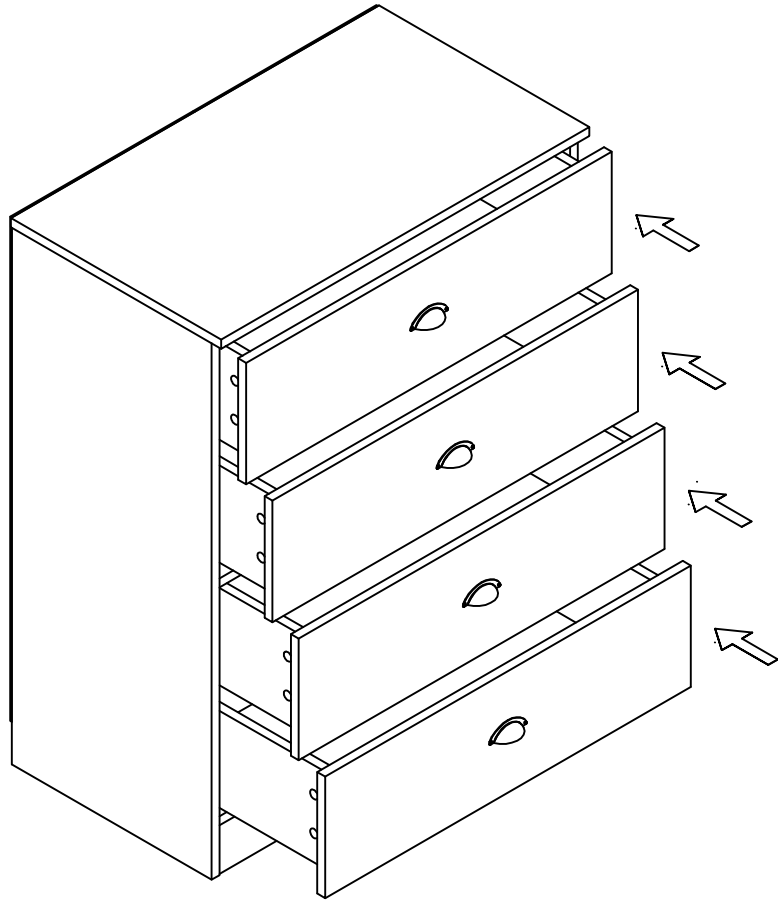
Drawer
Runner

Drawer
Runner

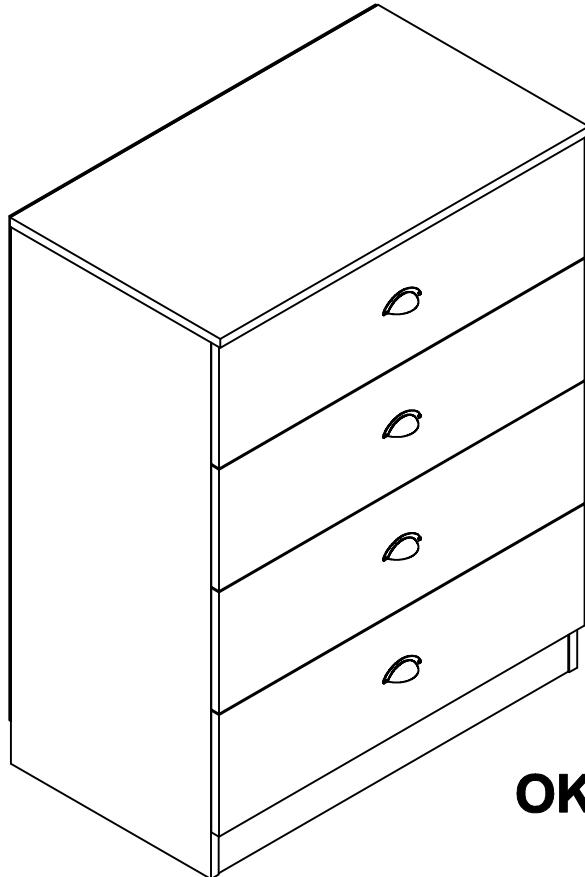


Assembly Instruction

Step 11



Step 12



OK