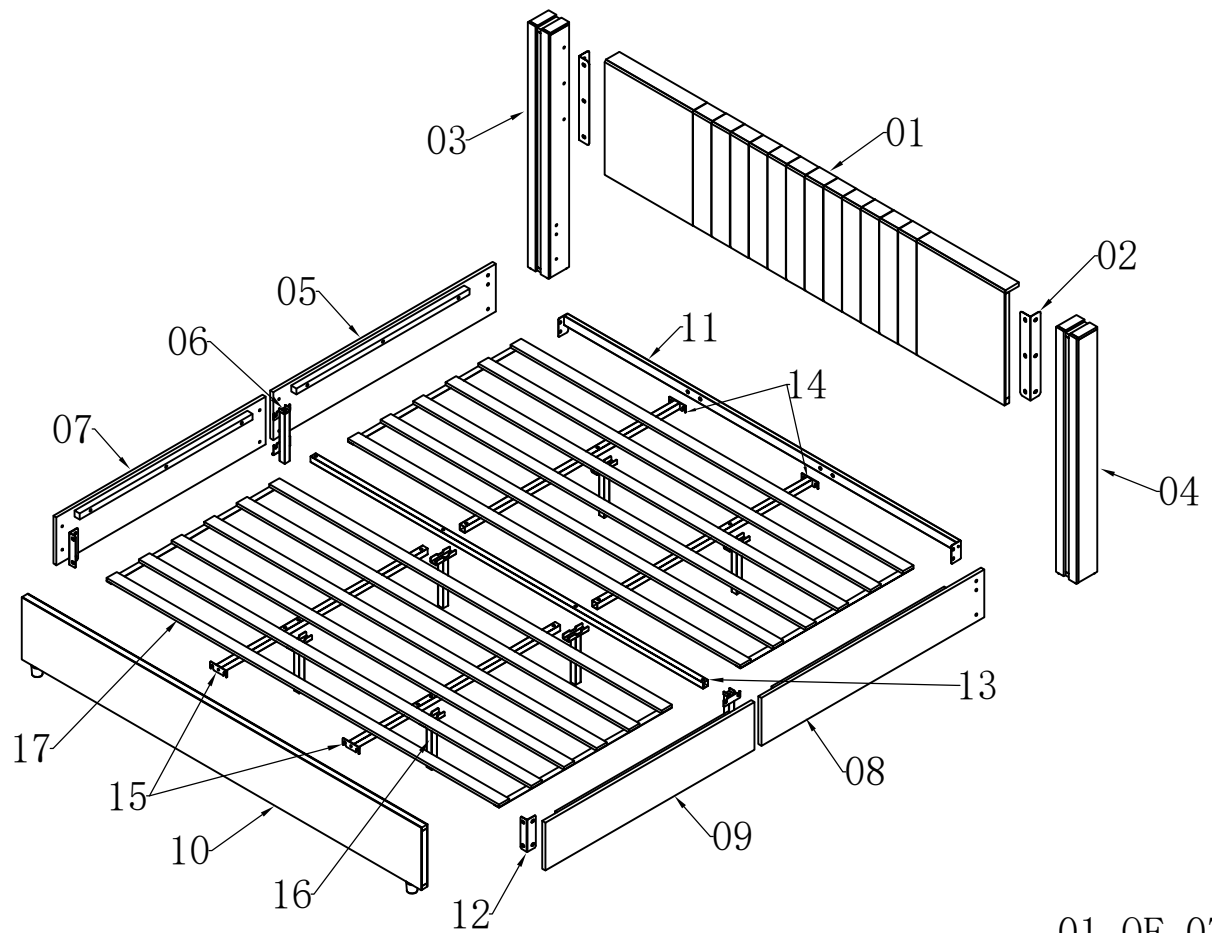
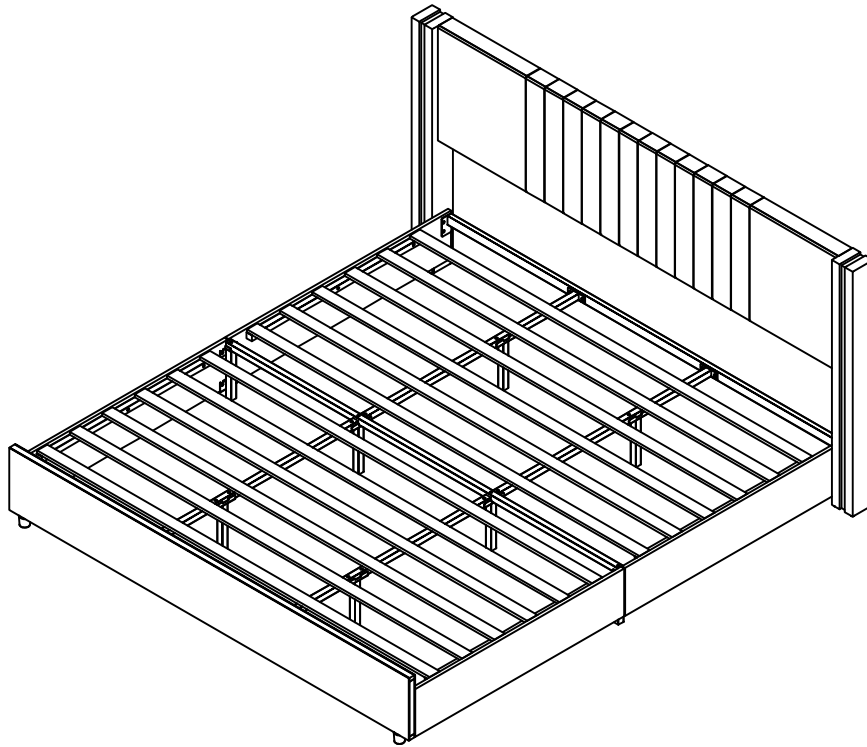
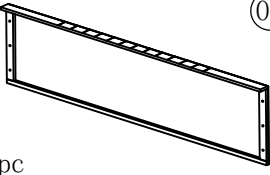
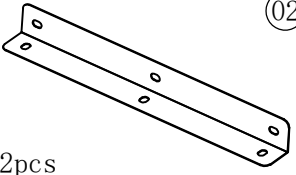
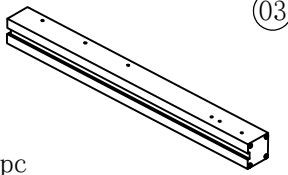
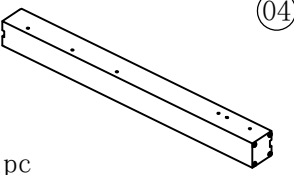
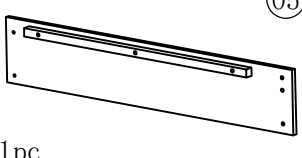

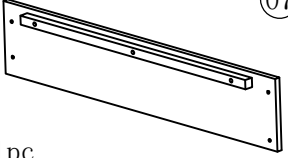
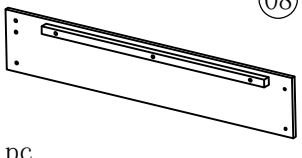
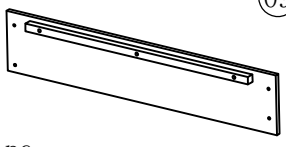
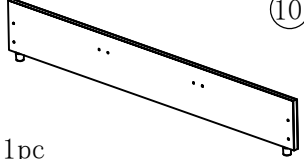
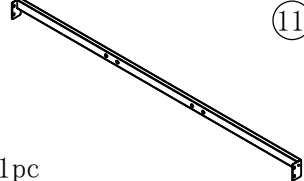
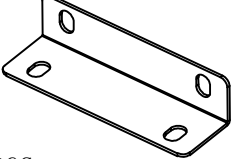
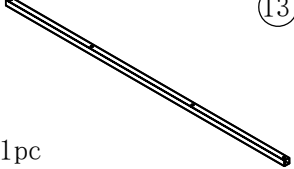
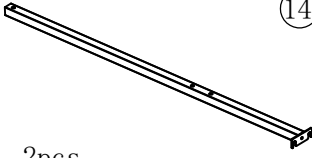
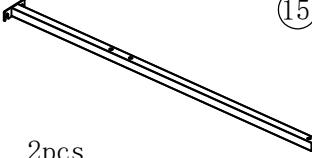
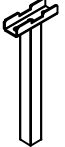
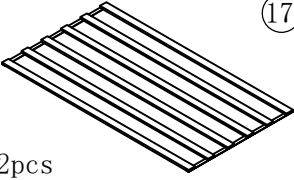


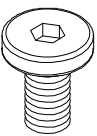
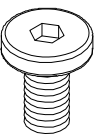
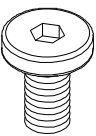
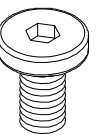
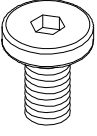
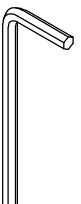
# Montageanleitung Instructions d'installation



## Teileliste Liste des pieces


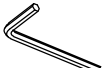
 01 1pc	 02 2pcs	 03 1pc	 04 1pc
 05 1pc	 06 2pcs	 07 1pc	 08 1pc
 09 1pc	 10 1pc	 11 1pc	 12 2pcs
 13 1pc	 14 2pcs	 15 2pcs	 16 6pcs
 17 2pcs			

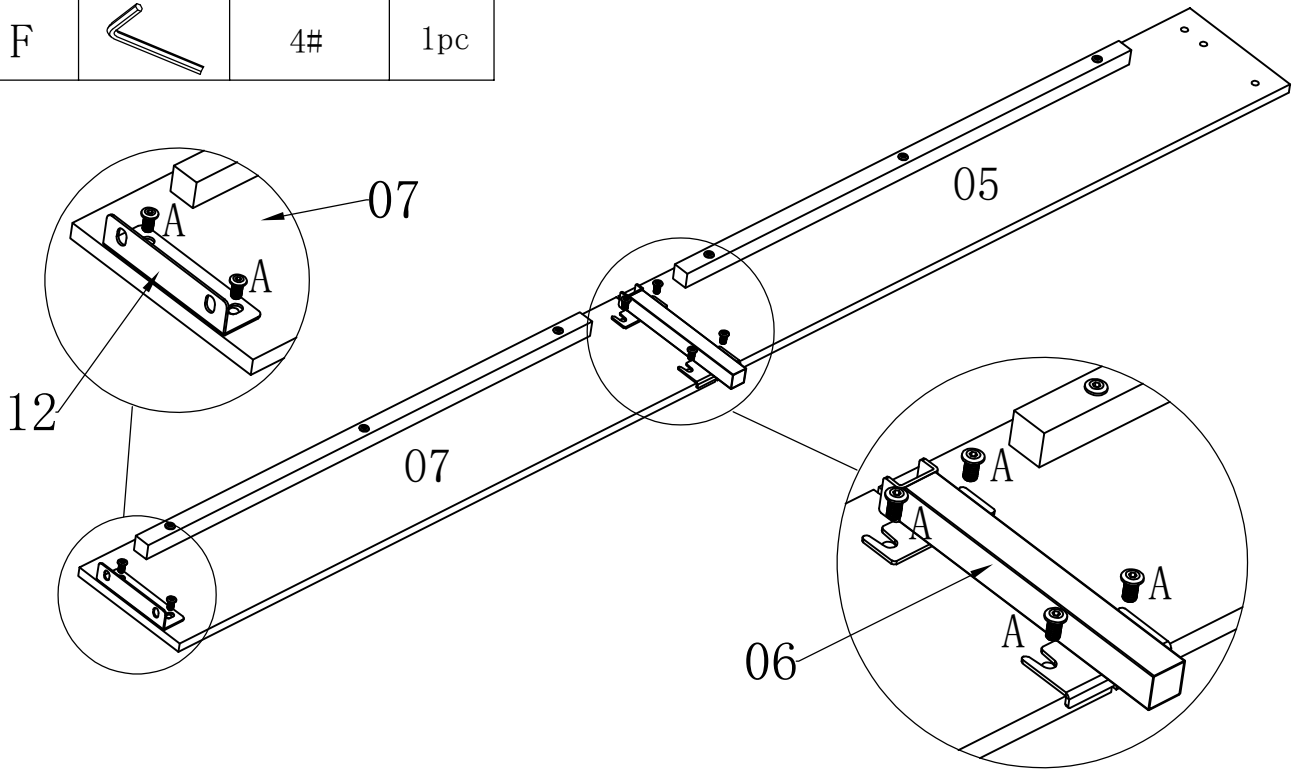
## Teileliste Liste des pieces

 A M8 × 15mm    24pcs+2pcs	 B M8 × 20mm    12pcs+1pc	 C M8 × 35mm    6pcs	 D M8 × 40mm    14pcs
 E M8 × 60mm    2pcs	 F 4#    1pc		


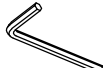


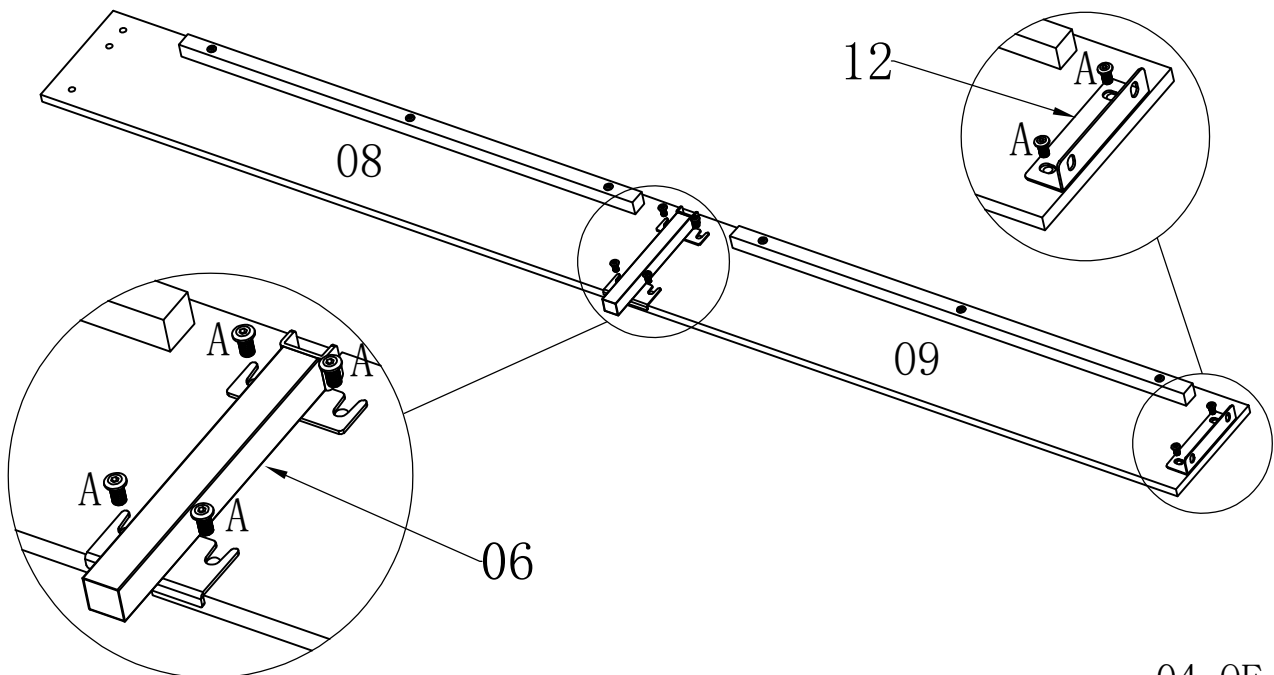
### Schritt:3

A		M8×15mm	6pcs
F		4#	1pc



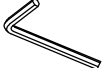


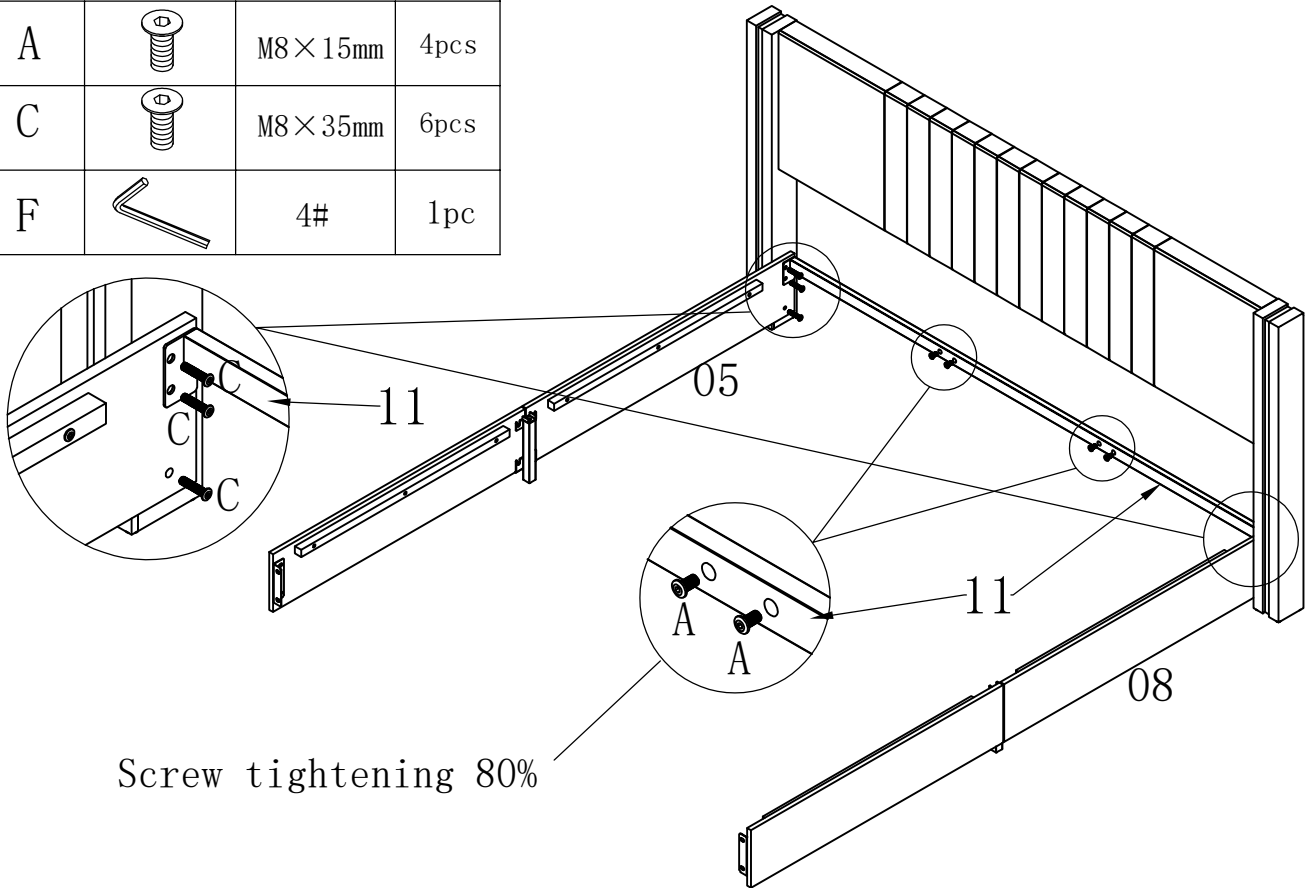
### Schritt:4

A		M8×15mm	6pcs
F		4#	1pc



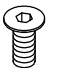
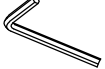
Schritt:5

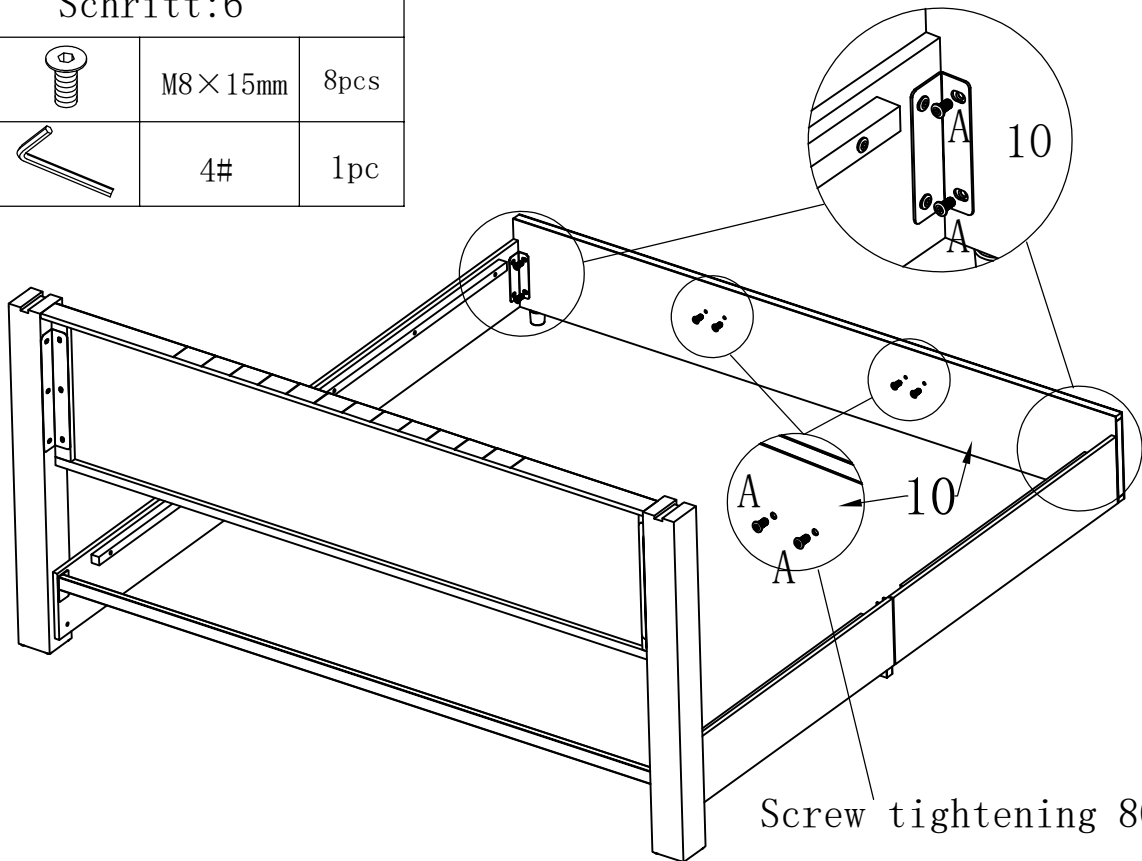
A		M8 × 15mm	4pcs
C		M8 × 35mm	6pcs
F		4#	1pc



Screw tightening 80%



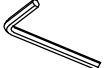
Schritt:6

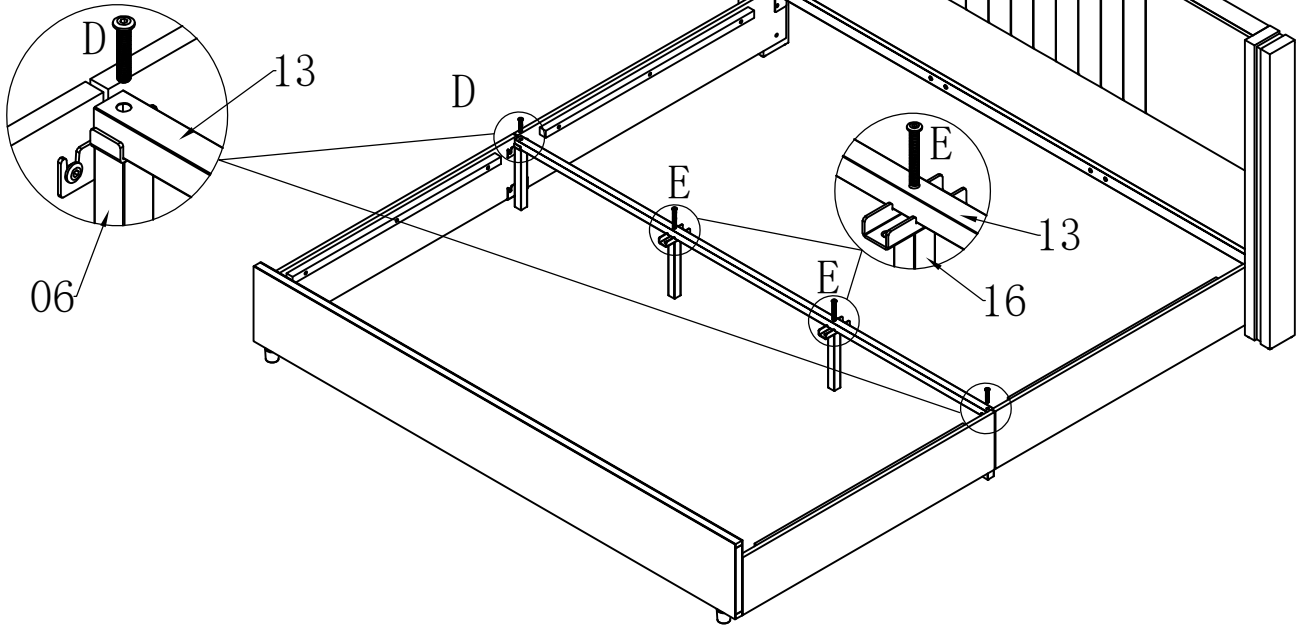
A		M8 × 15mm	8pcs
F		4#	1pc



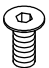
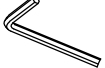
Screw tightening 80%

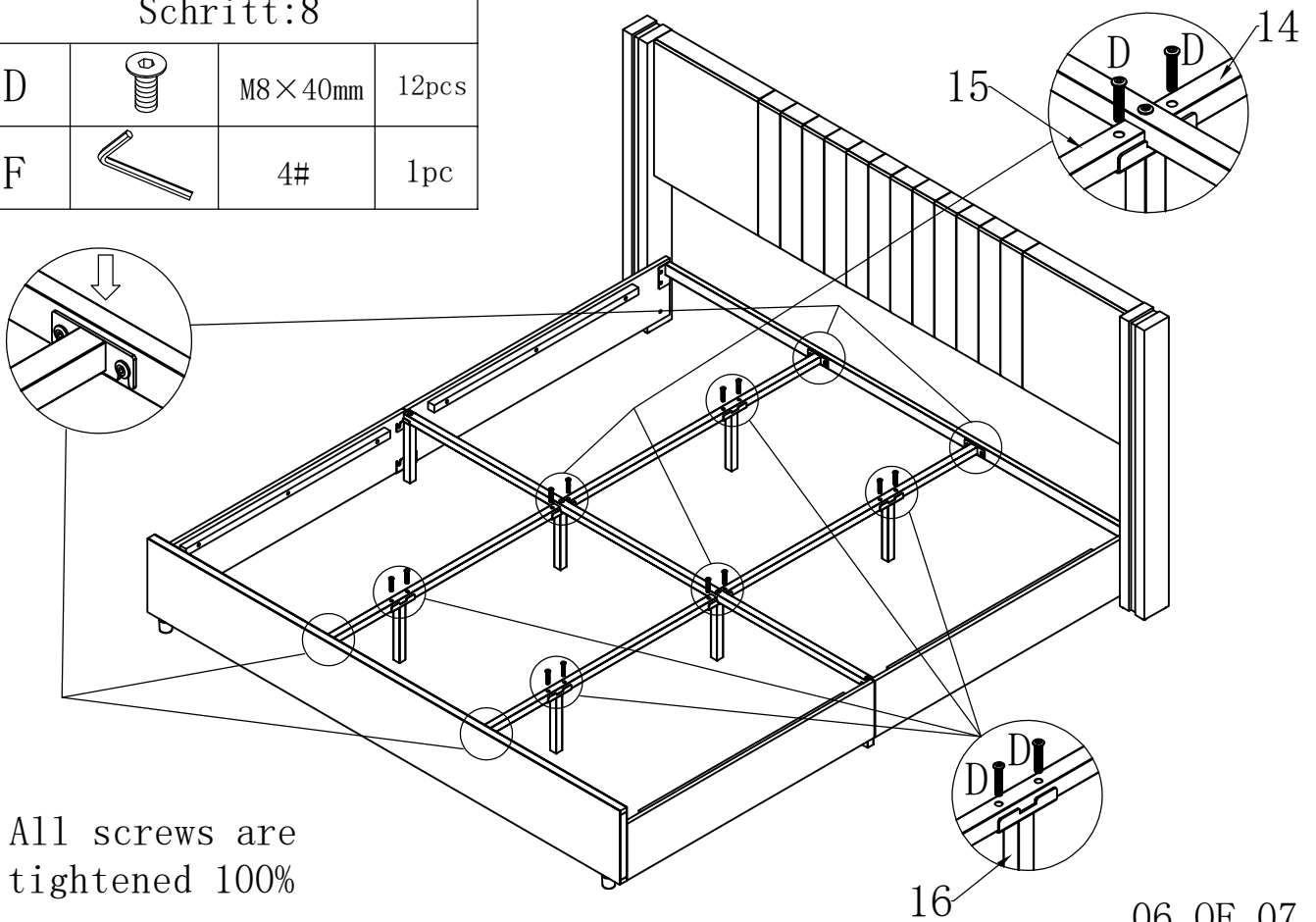
### Schritt:7

D		M8 × 40mm	2pcs
E		M8 × 60mm	2pcs
F		4#	1pc



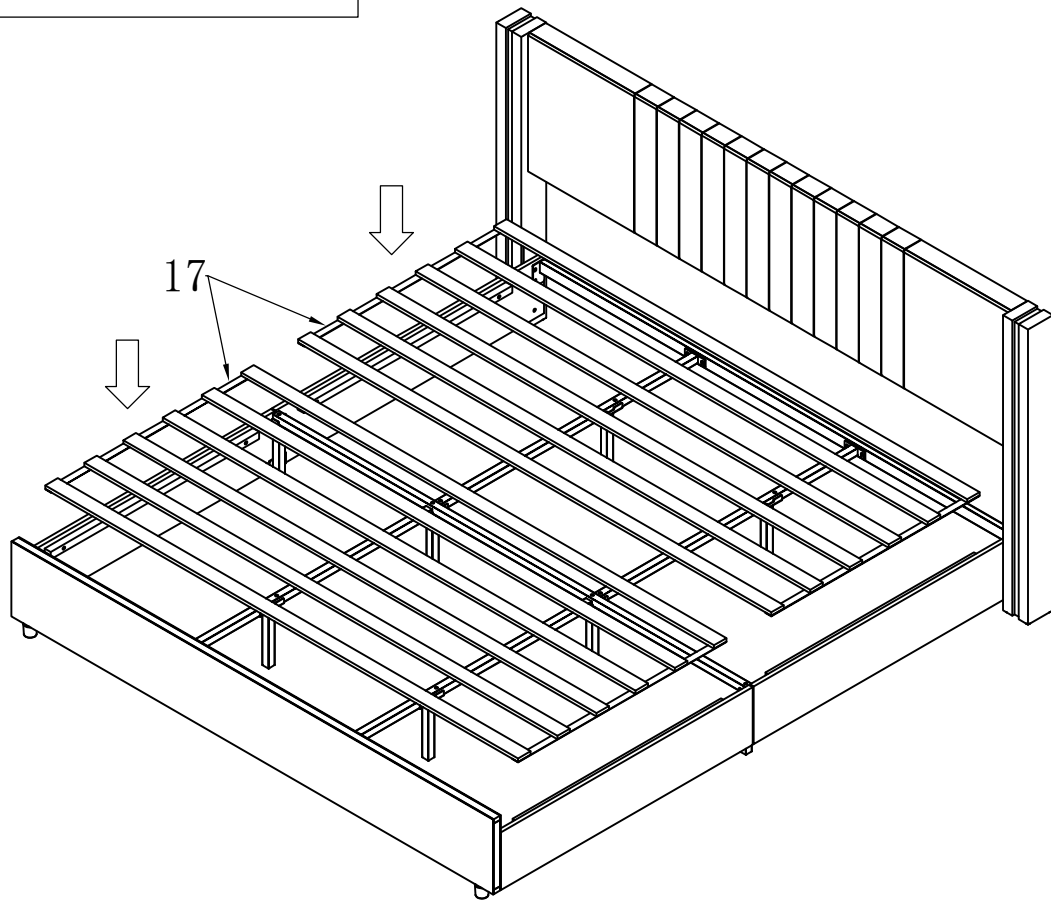
### Schritt:8

D		M8 × 40mm	12pcs
F		4#	1pc



All screws are  
tightened 100%

Schritt:9



Schritt:10

