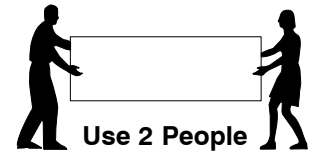
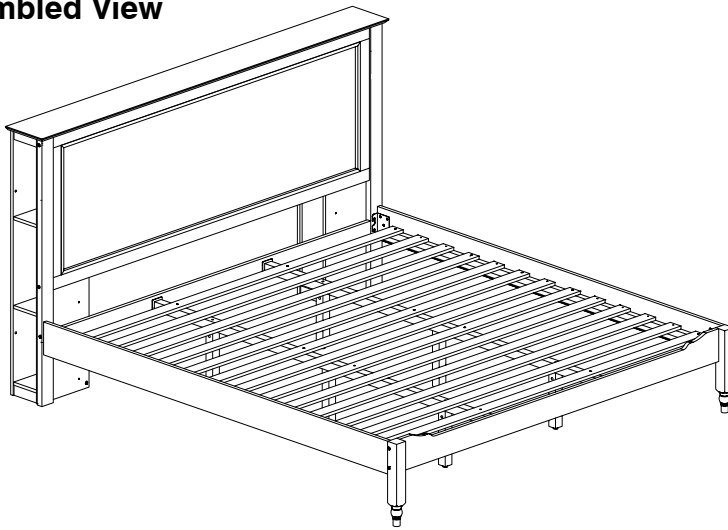


# King Bed

## Assembly Instructions

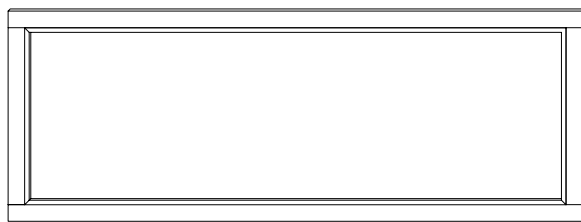
### 1 Assembled View



**Note:** Do not assemble using power tools. This can cause the bolts to be overtightened

### 2 Parts List

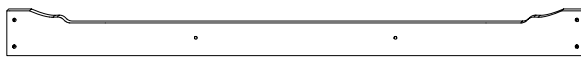
#### Parts in Box A:



**A** Headboard Panel x 1



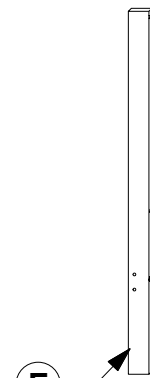
**B** Headboard Support x 1



**C** Footboard Panel x 1

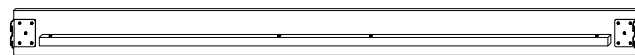


**D** Headboard Post (Left hand) x 1

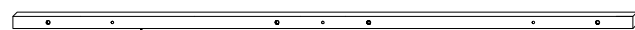


**E** Headboard Post (Right hand) x 1

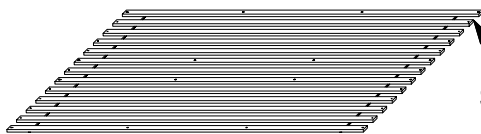
#### Parts in Box B:



**F** Side Rail x 2



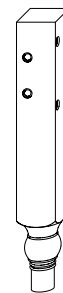
**G** Long Support x 2



**H** Set of Bed Slats x 1



**J** Footboard Post (Left hand) x 1



**K** Footboard Post (Right hand) x 1



**L** Support Leg x 6



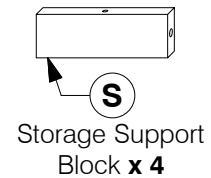
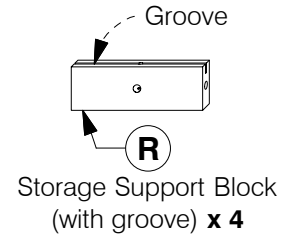
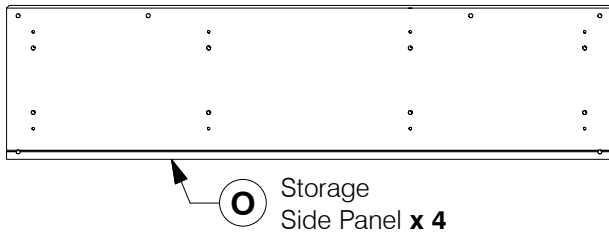
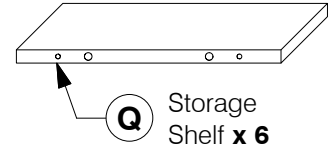
**M** Headboard Top Panel x 1

# King Bed

## Assembly Instructions

### 2 Parts List

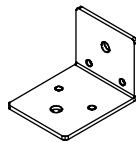
Parts in Box C:



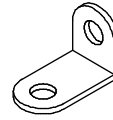
### 3 Hardware List



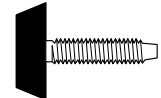
**1** M4 Allen Key x 1



**2** Center Rail Bracket x 4



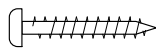
**3** 'L' Bracket x 4



**4** Adjustable Foot x 6



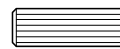
**5** Wood Screw (M4 x 16mm) x 8



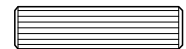
**6** Wood Screw (M4 x 32mm) x 47



**7** Barrel Nut x 14



**8** Wood Dowel (8 x 30mm) x 24



**9** Wood Dowel (10 x 40mm) x 8



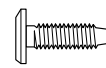
**10** Spring Washer x 8



**11** Flat Washer x 8



**12** M6 x 15mm JCB x 8



**13** M6 x 20mm JCB x 8



**14** M6 x 30mm JCB x 20



**15** M6 x 40mm JCB x 18



**16** M6 x 90mm JCB x 10

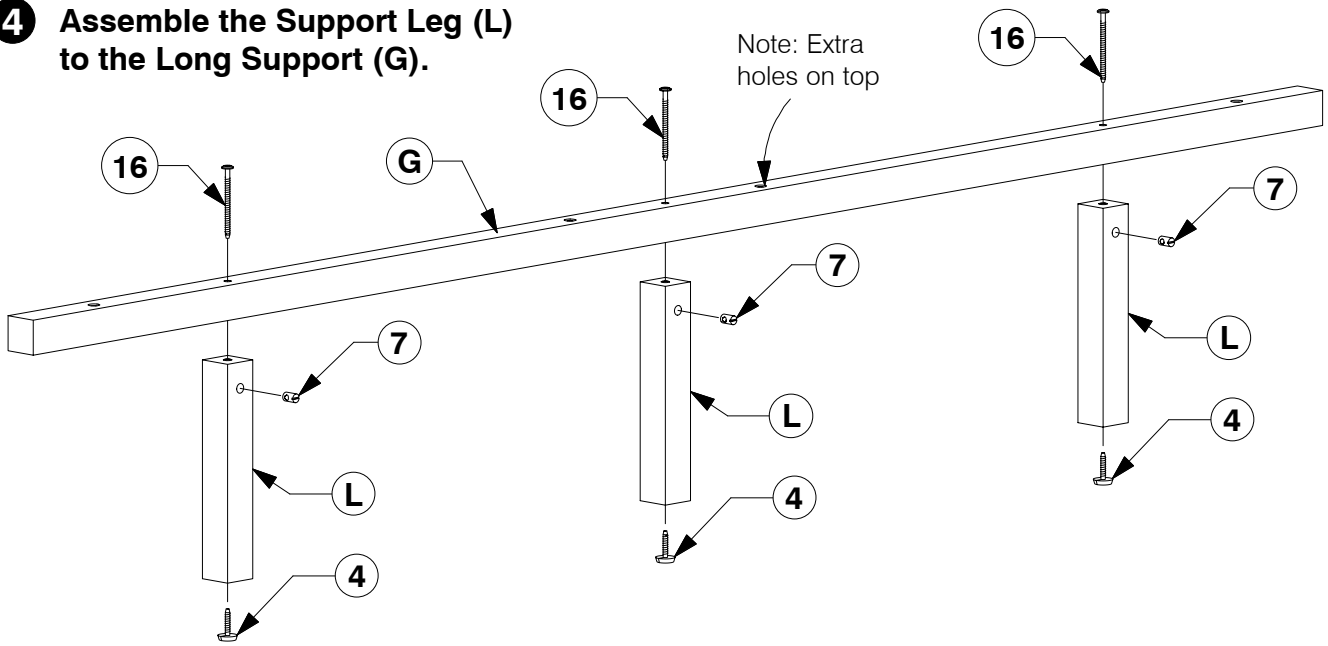


**17** M6 x 100mm JCB x 6

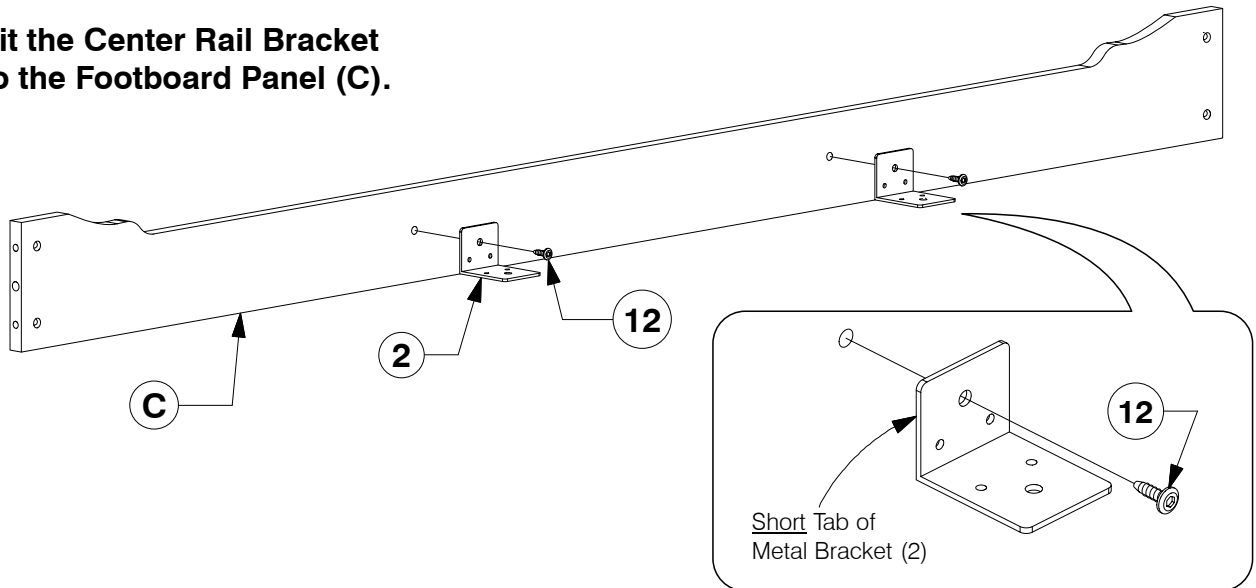
# King Bed

Assembly Instructions

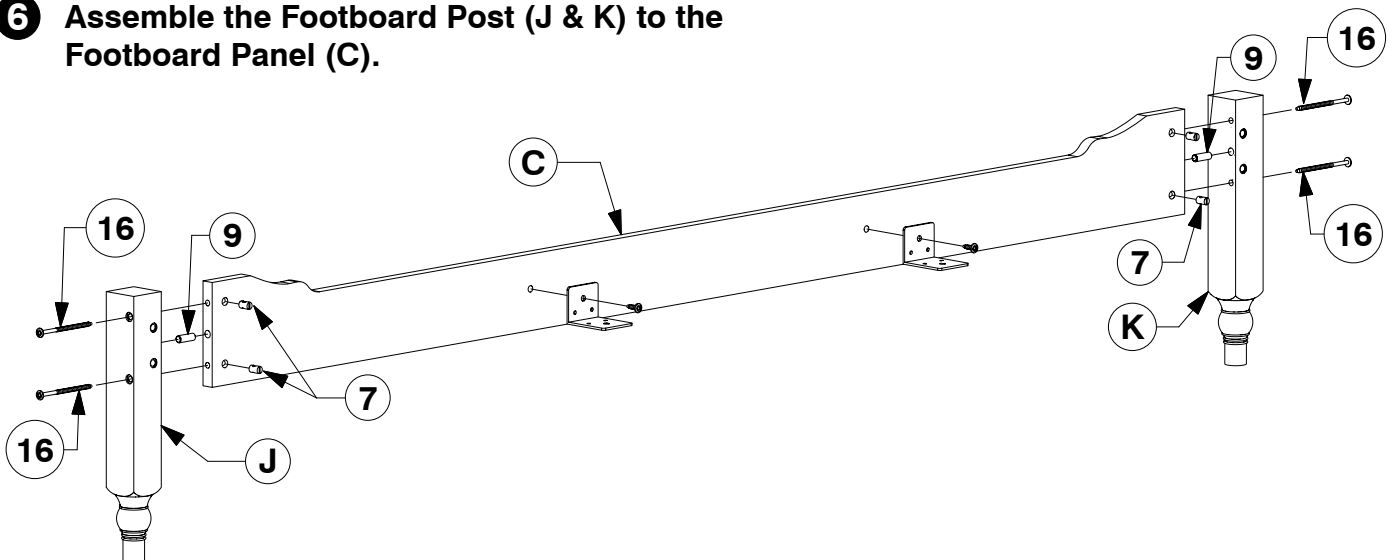
## 4 Assemble the Support Leg (L) to the Long Support (G).



## 5 Fit the Center Rail Bracket (2) to the Footboard Panel (C).



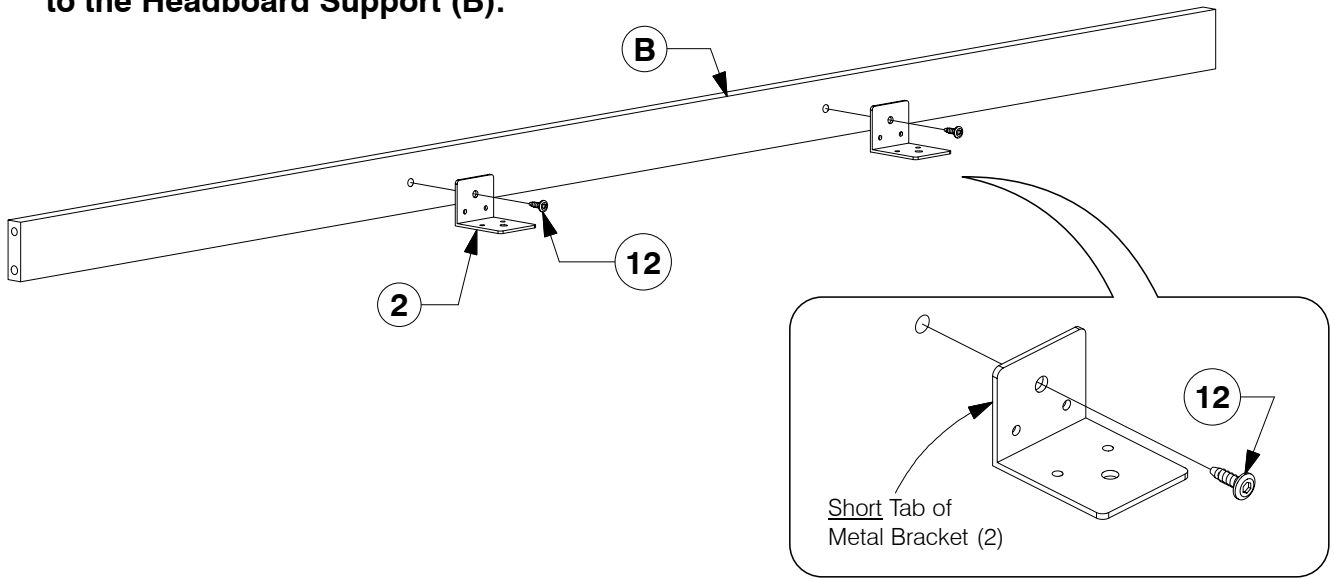
## 6 Assemble the Footboard Post (J & K) to the Footboard Panel (C).



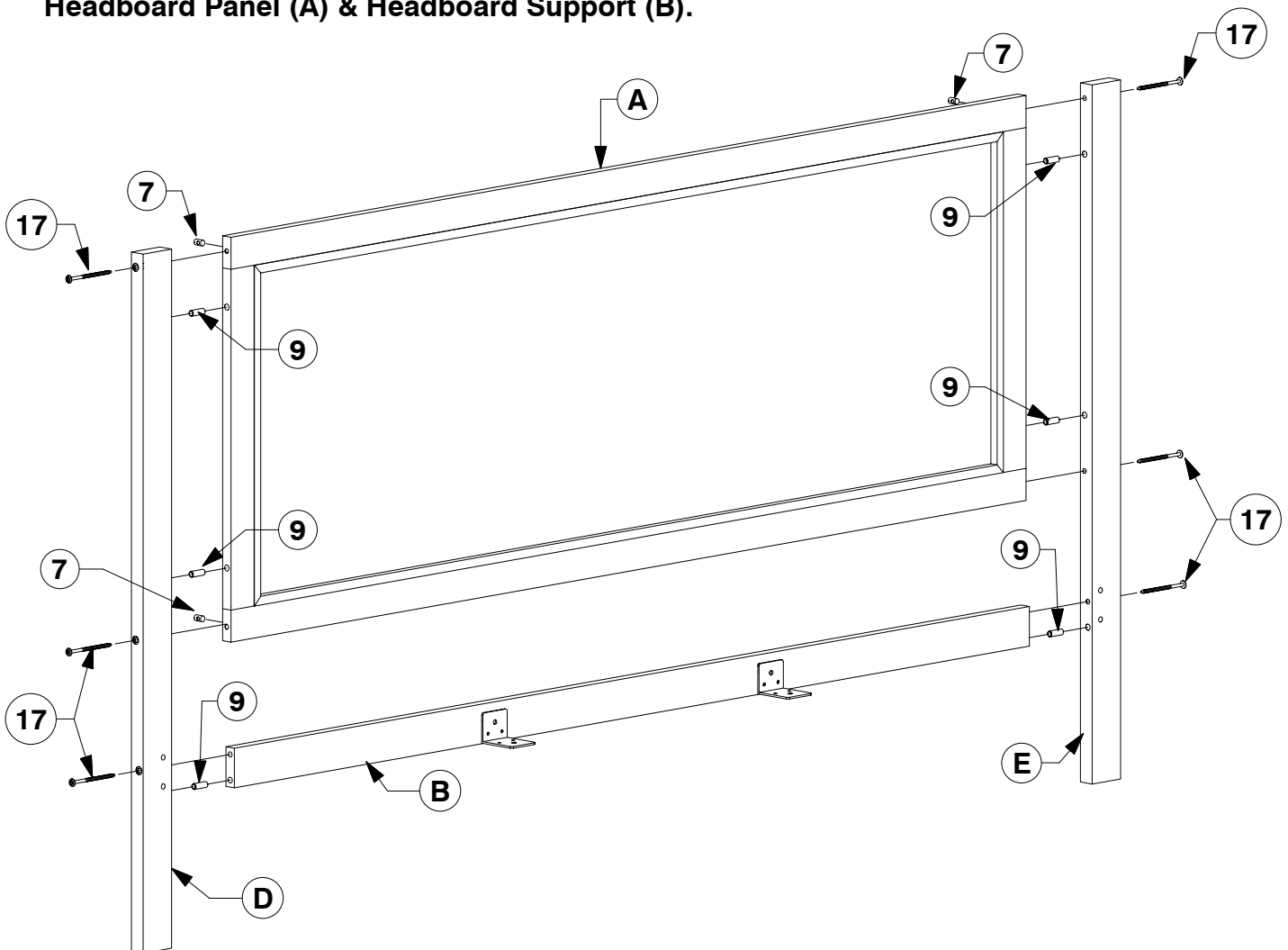
# King Bed

Assembly Instructions

- 7** Fit the Center Rail Bracket to the Headboard Support (B).



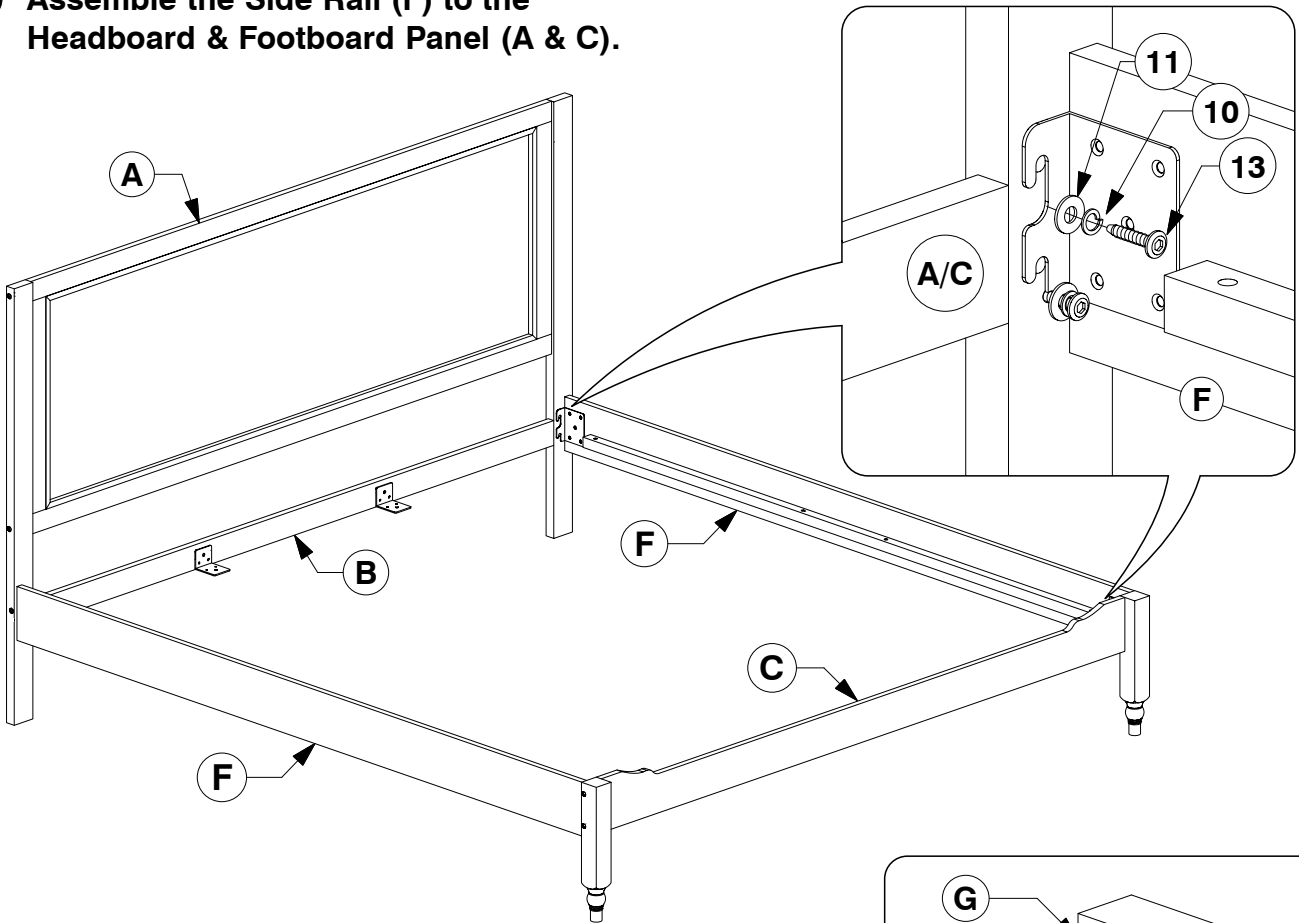
- 8** Assemble the Headboard Post (D & E) to the Headboard Panel (A) & Headboard Support (B).



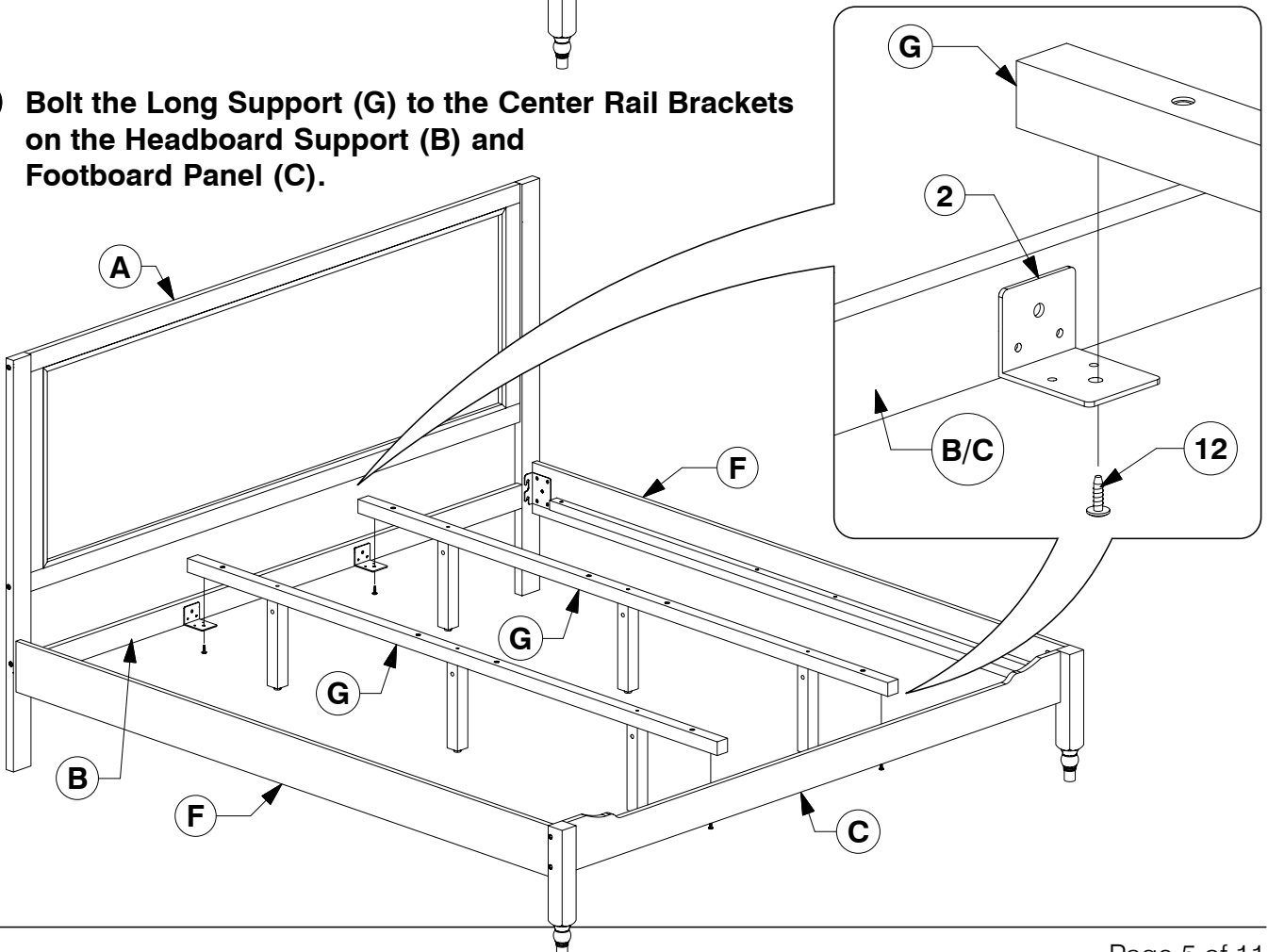
# King Bed

Assembly Instructions

- 9** Assemble the Side Rail (F) to the Headboard & Footboard Panel (A & C).



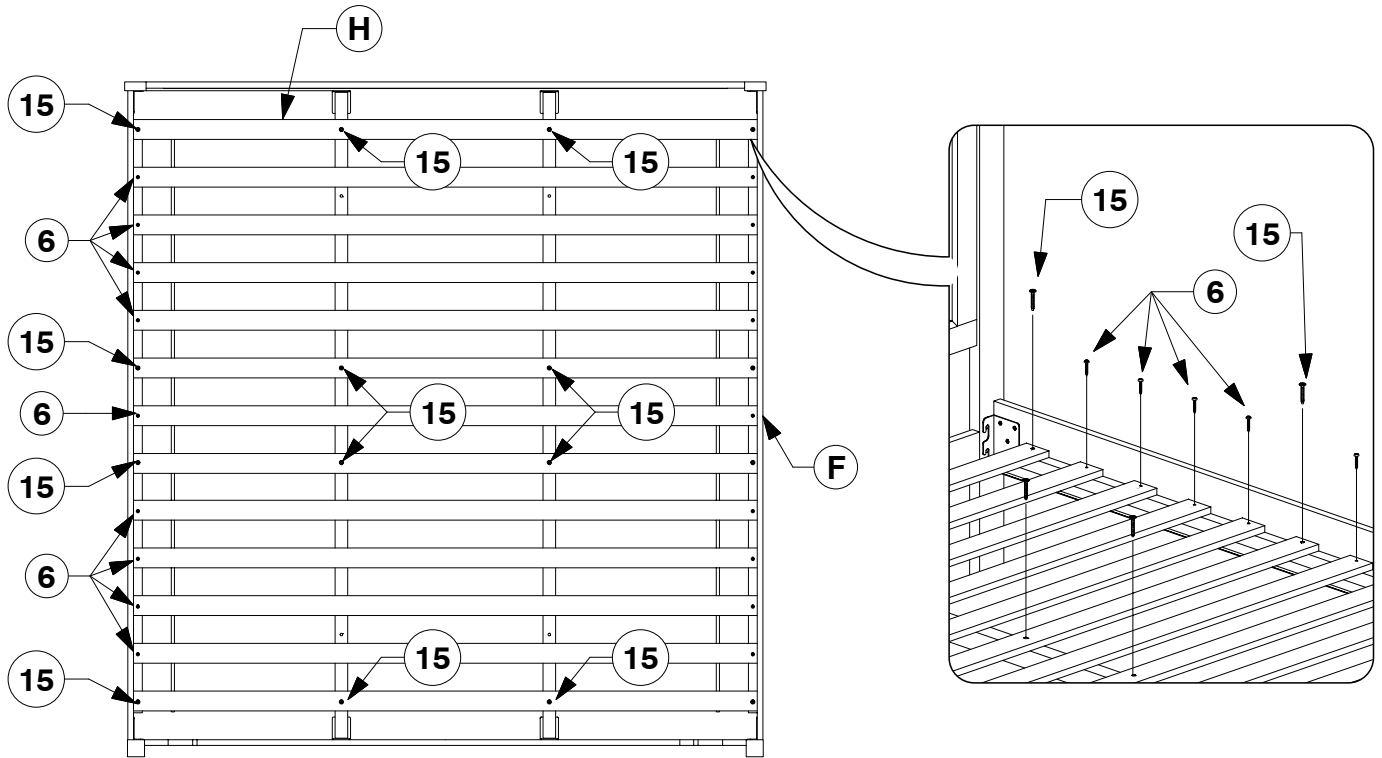
- 10** Bolt the Long Support (G) to the Center Rail Brackets on the Headboard Support (B) and Footboard Panel (C).



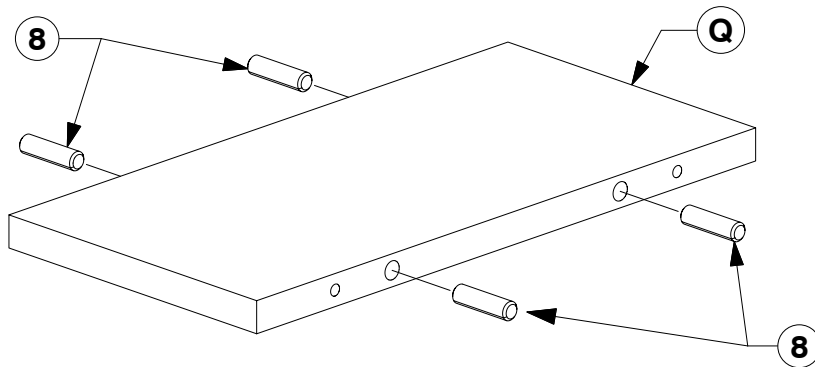
# King Bed

Assembly Instructions

**11** Bolt & screw the Bed Slats (H) to the Side Rail (F).



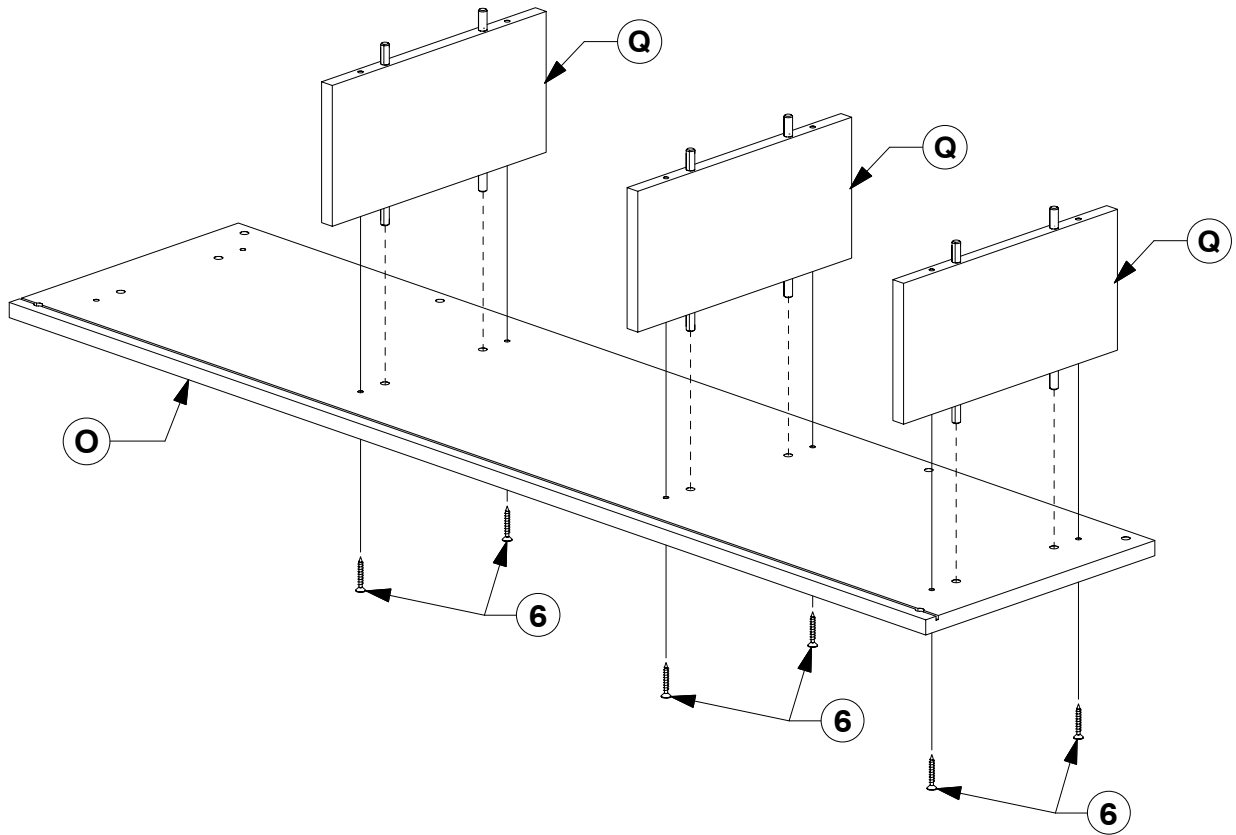
**12** Tap the Wood Dowels (8) to the Storage Shelf (Q).



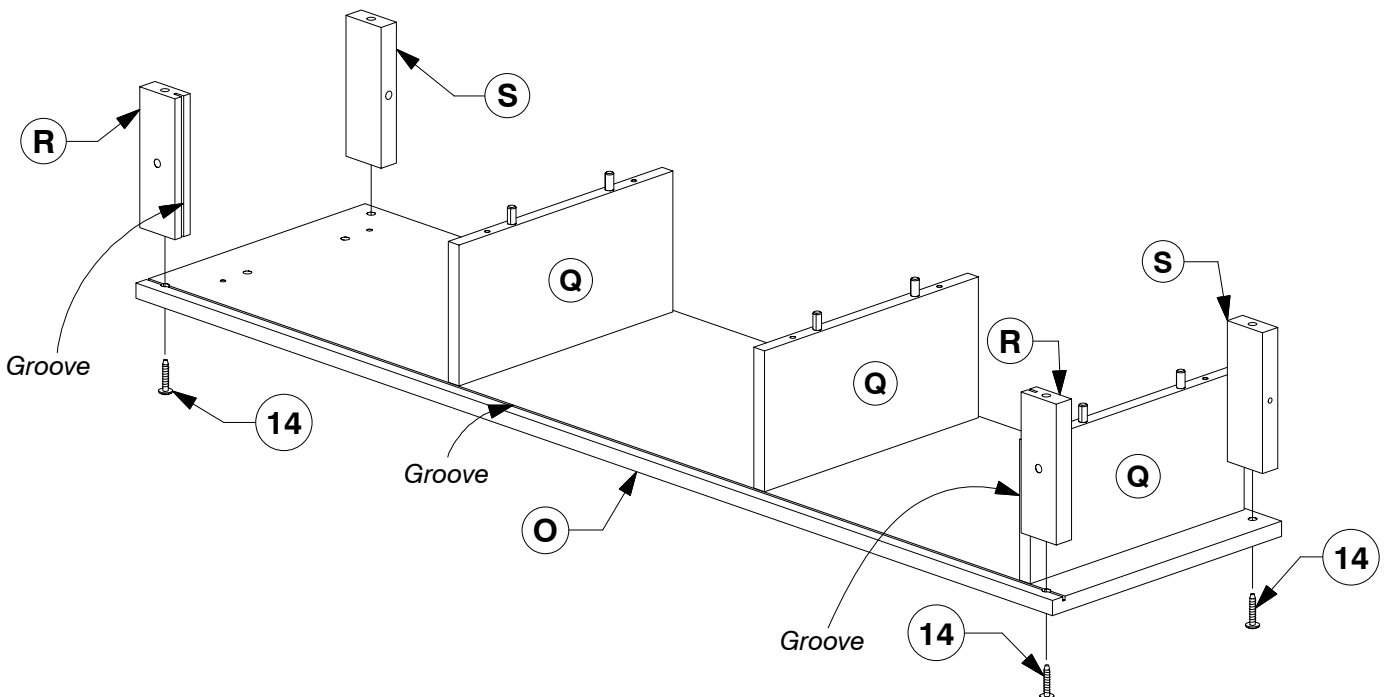
# King Bed

Assembly Instructions

**13** Fit the Storage Shelf (Q) to the Storage Side Panel (O).



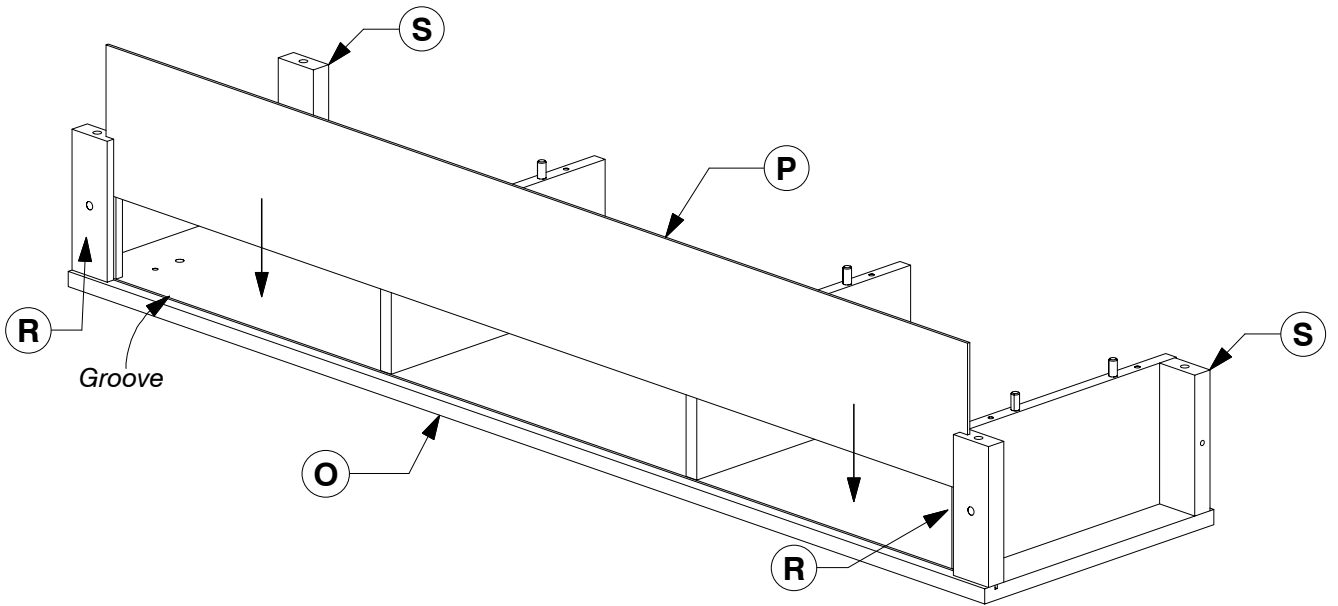
**14** Fit the Storage Support Block (R & S) to the Storage Side Panel (O).



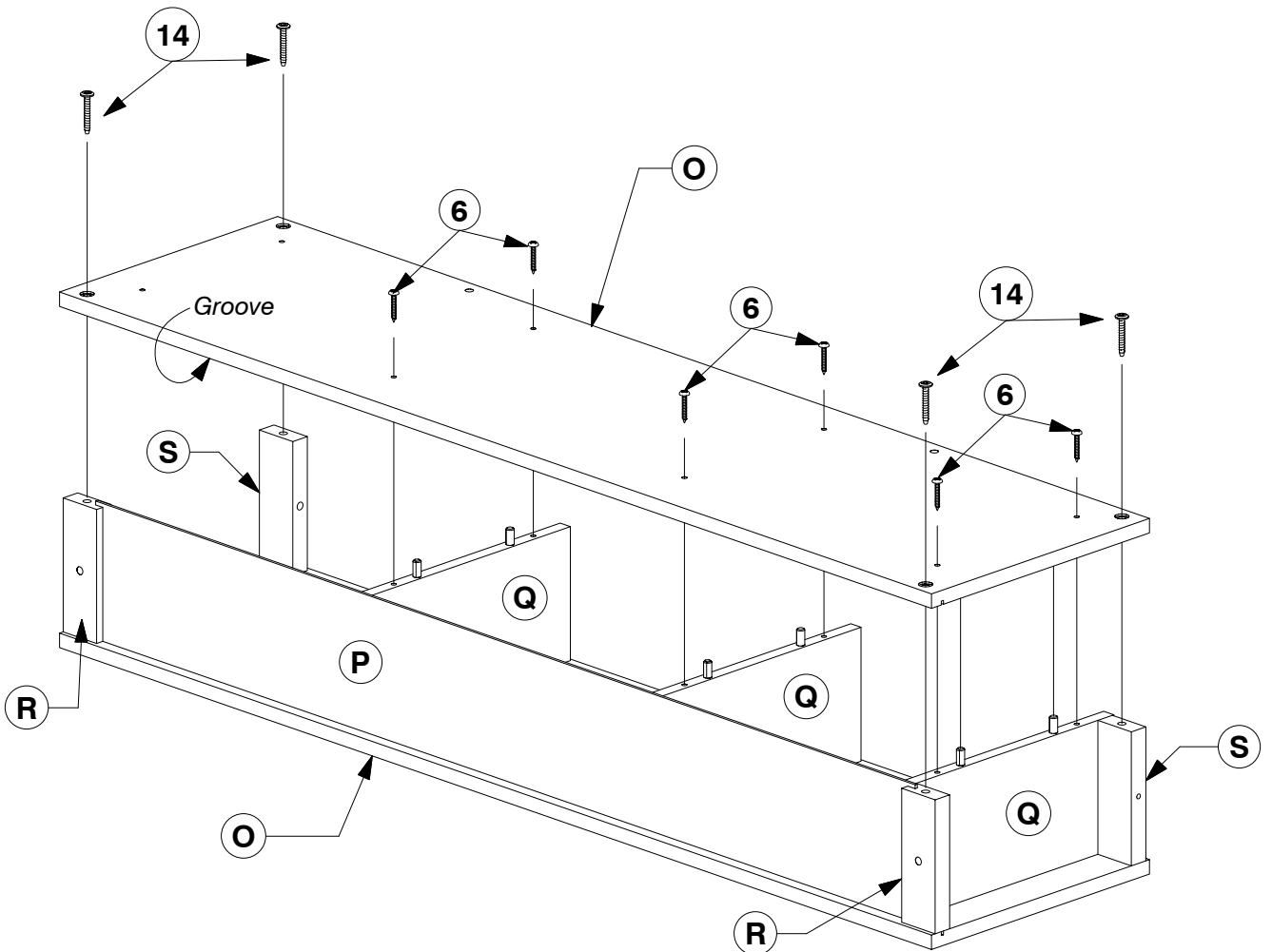
# King Bed

## Assembly Instructions

- 15** Slide the Storage Panel (P) into the groove.



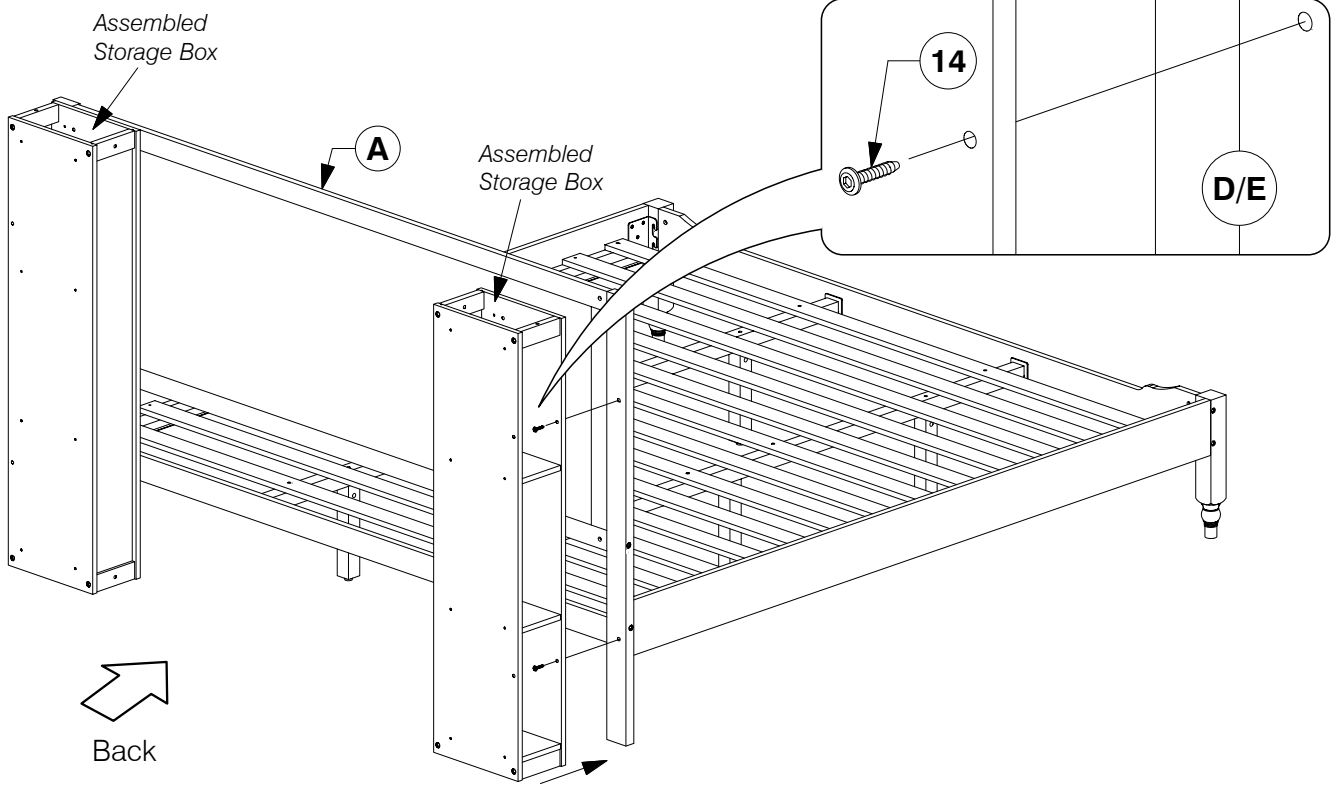
- 16** Fit the Storage Side Panel (O) in place.



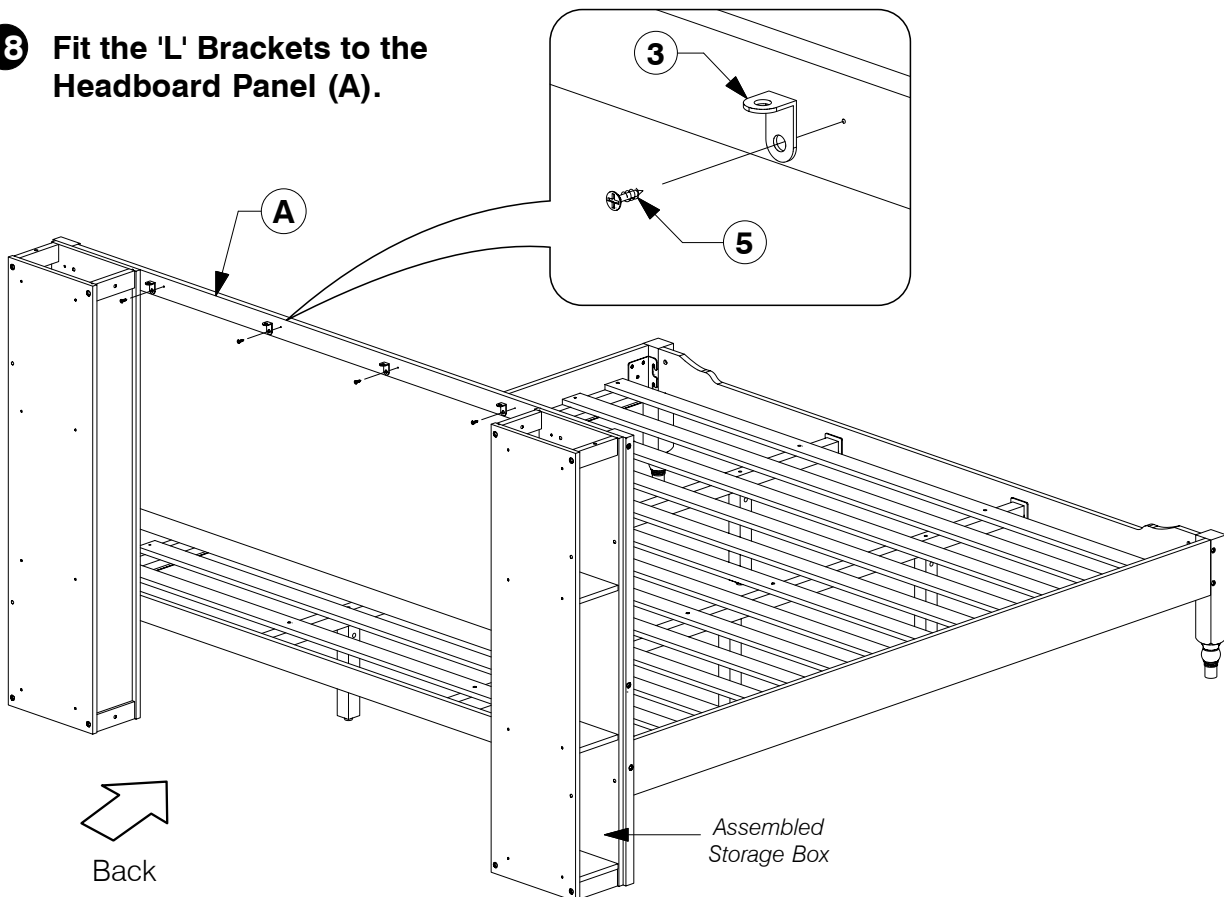
# King Bed

Assembly Instructions

## 17 Attach the assembled Storage Box to the Headboard Post (D & E).



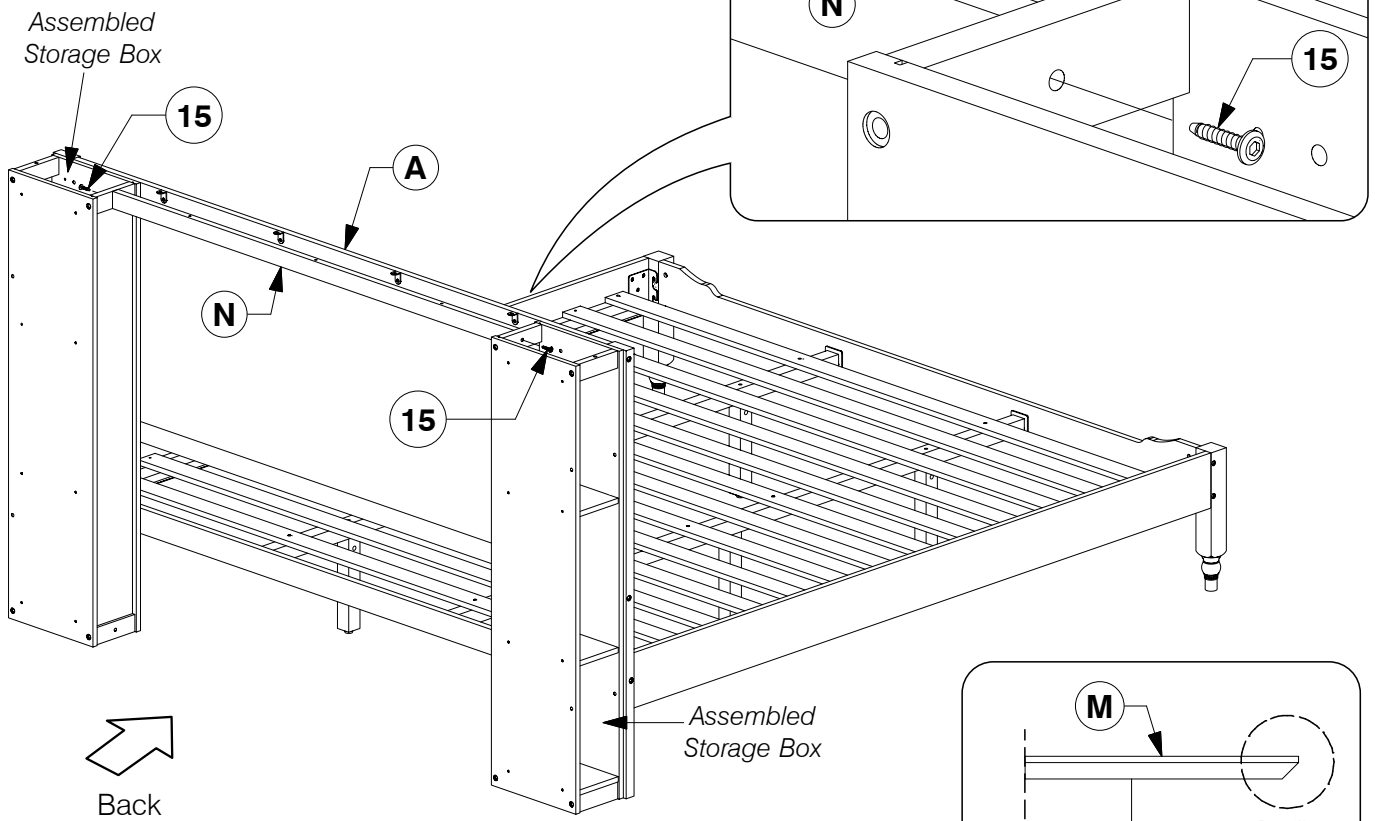
## 18 Fit the 'L' Brackets to the Headboard Panel (A).



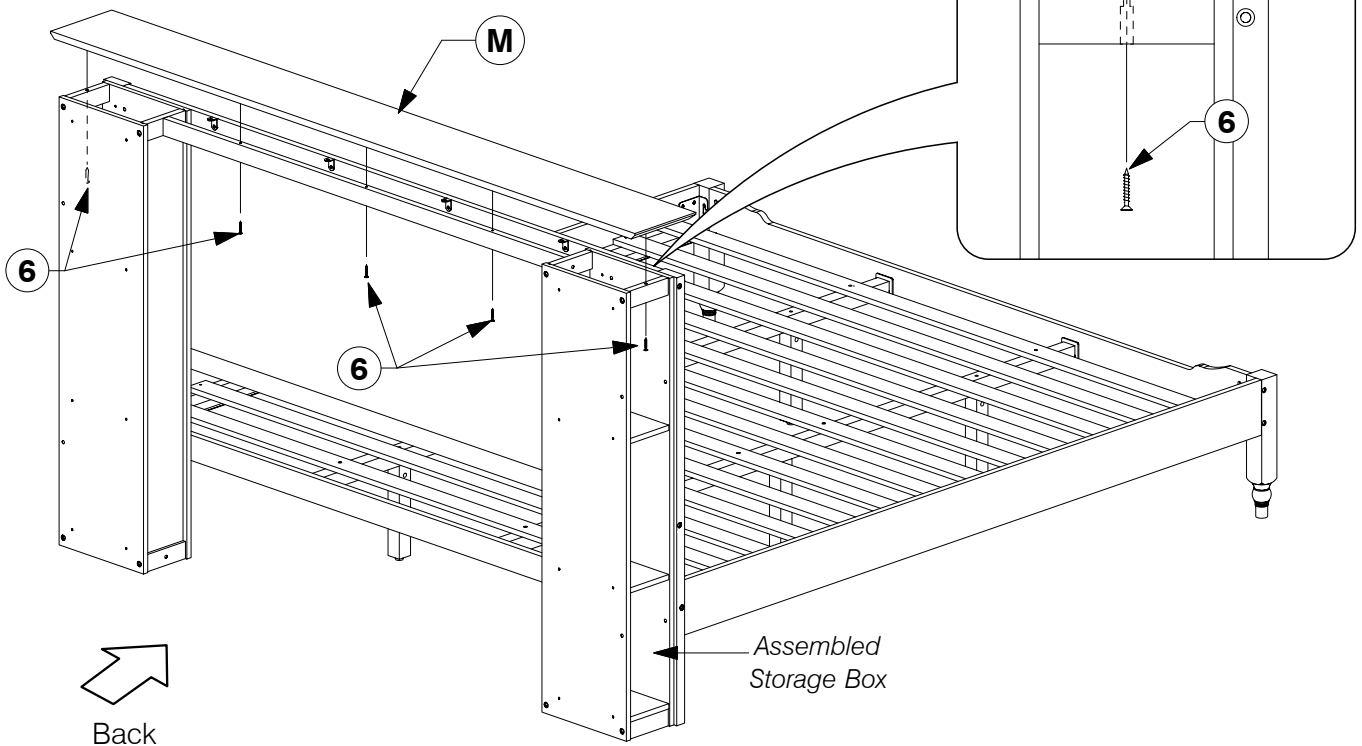
# King Bed

## Assembly Instructions

- 19** Fit the Storage Support Bar (N) in place.



- 20** Fit the Headboard Top Panel (M) on top of the assembled Storage Box & Headboard.



# King Bed

Assembly Instructions

**21** Tighten the Top Cap (M) with M4 x 16mm Wood Screws.

