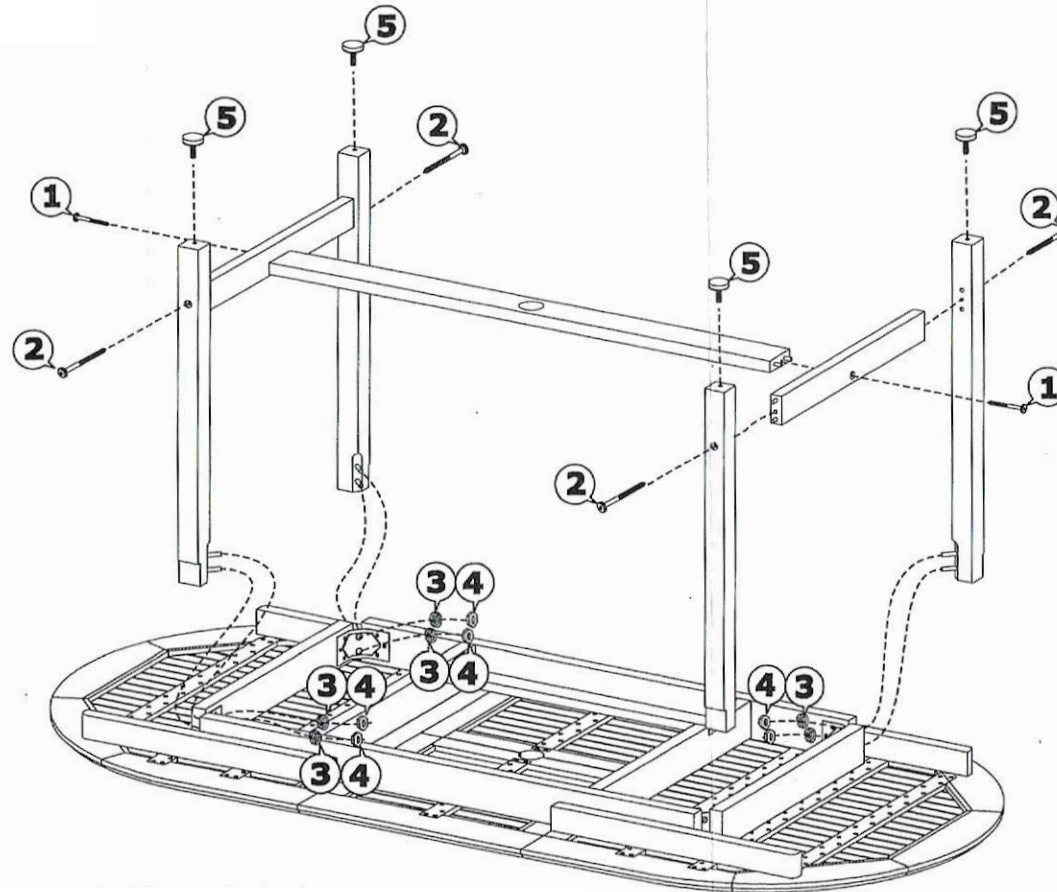


Assembly Instruction

DIAN SMALL EXT. OVAL DINING TABLE 59"-79"X37", 29"H, W/ PH, TEA



- 1**  F-screw 6x70-T30, GS x 2 PCS
SEM201428
- 2**  F-screw 6x80-T30, GS x 4 PCS
SEM201429
- 3**  Spiral washer 8x13x2, GS x 8 PCS
SEM201346
- 4**  Hexagonal nut M8, GS x 8 PCS
SEM201071
- 5**  Table foot black, P x 4 PCS
SEM201054
- 6**  Hexagonal key M8, GS x 1 PCS
SEM201301
- 7**  Torx key T30, GS x 1 PCS
SEM201430
- 8**  Sc brasscenter for ph,
ø 50mm, SB x 1 PCS
SEM600001

SEM102488

Follow the stamped codes (such A,B,1,2, etc.) on each part that shall be assembled