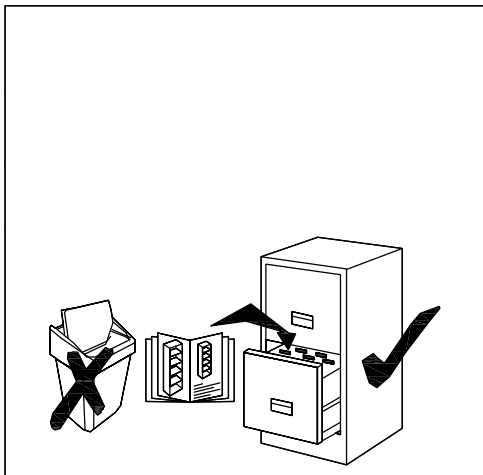
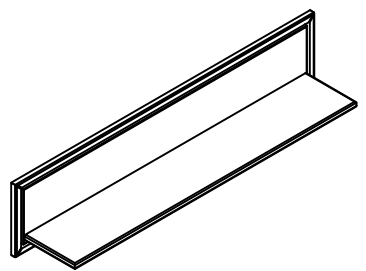
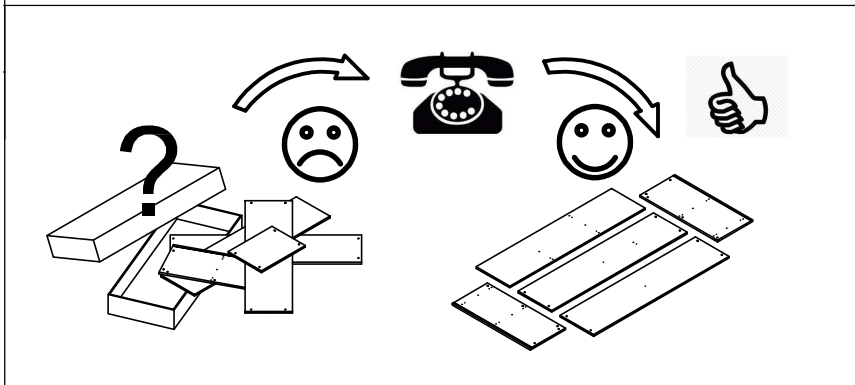


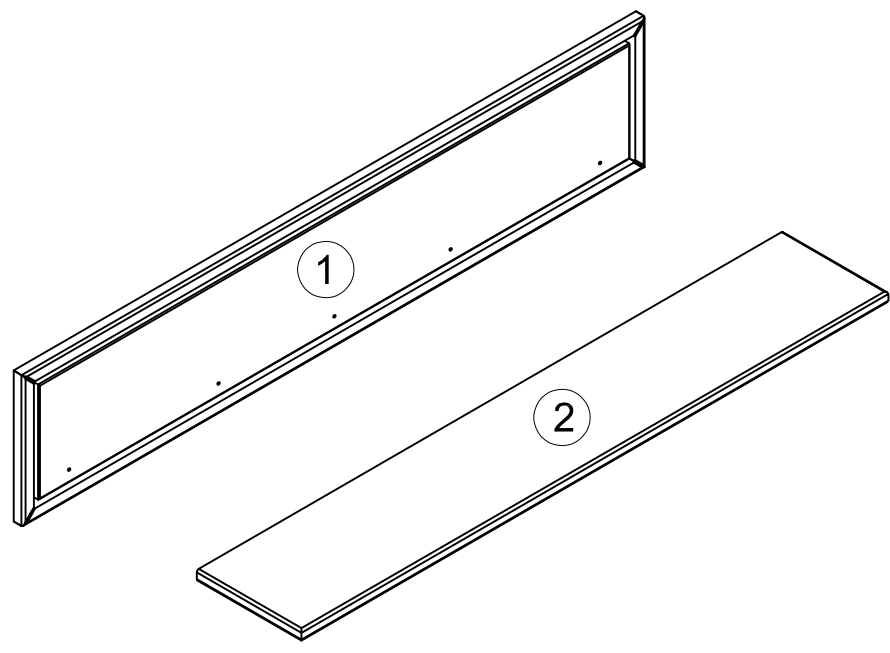
0  
10  
20  
30  
40  
50  
60  
70



# Service



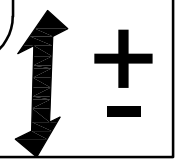
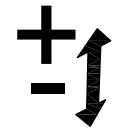
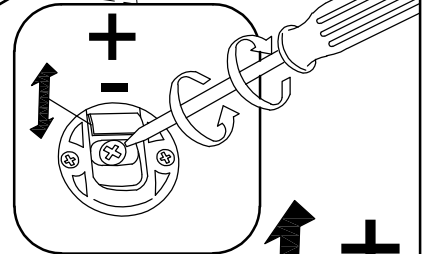
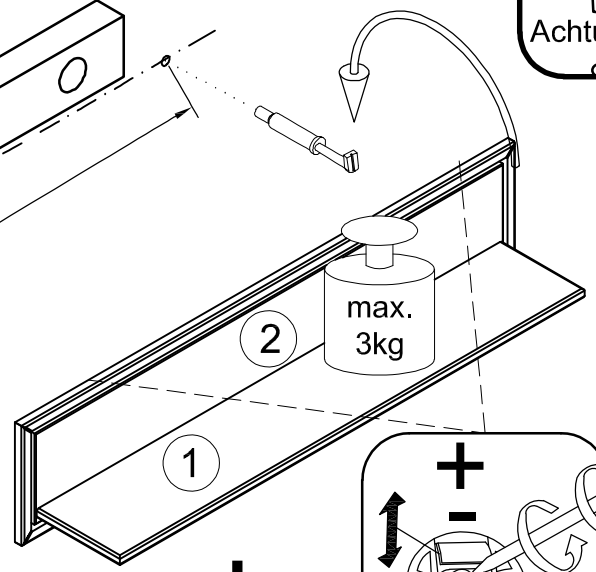
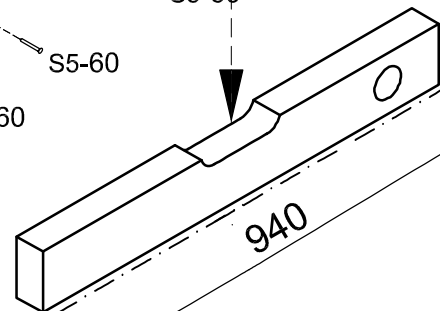
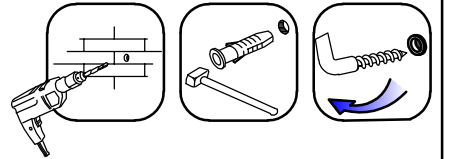
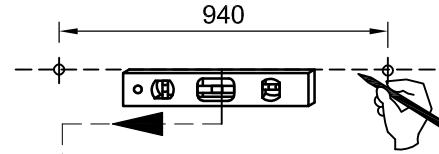
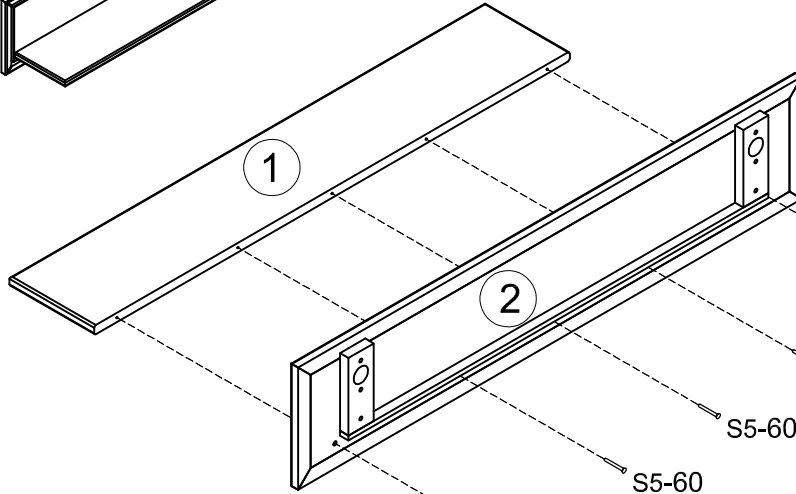
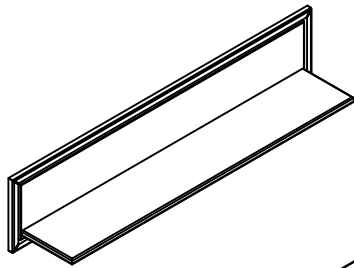
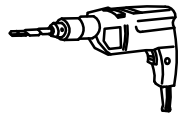
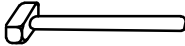
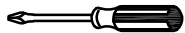
- ① 1200×252×40
- ② 1132×202×19





1 Person

10  
Min.



S5 -60  
5x60 mm x5