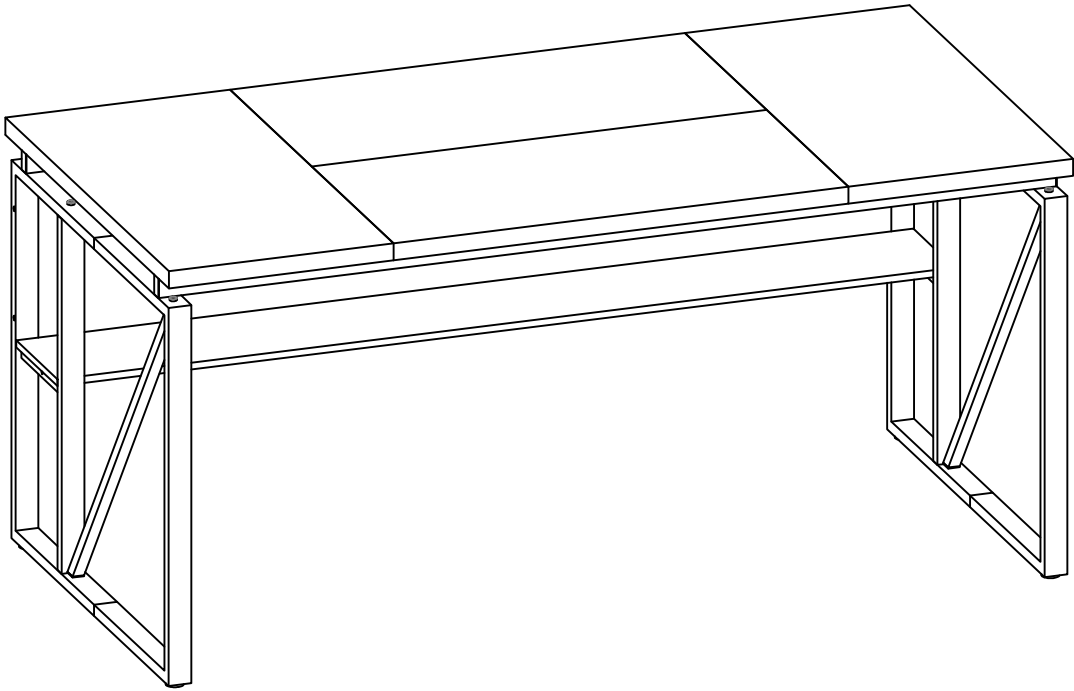
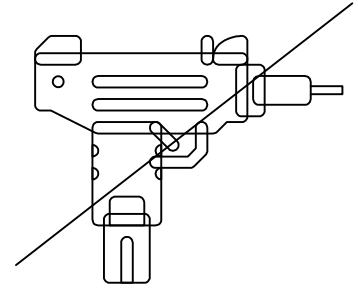
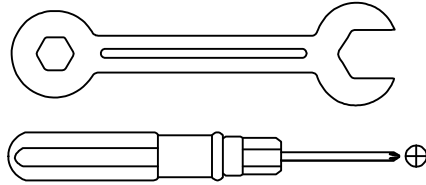
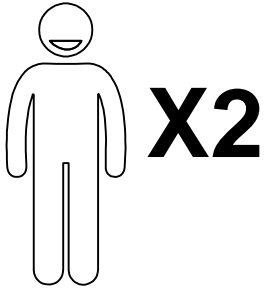


Assembly Instructions

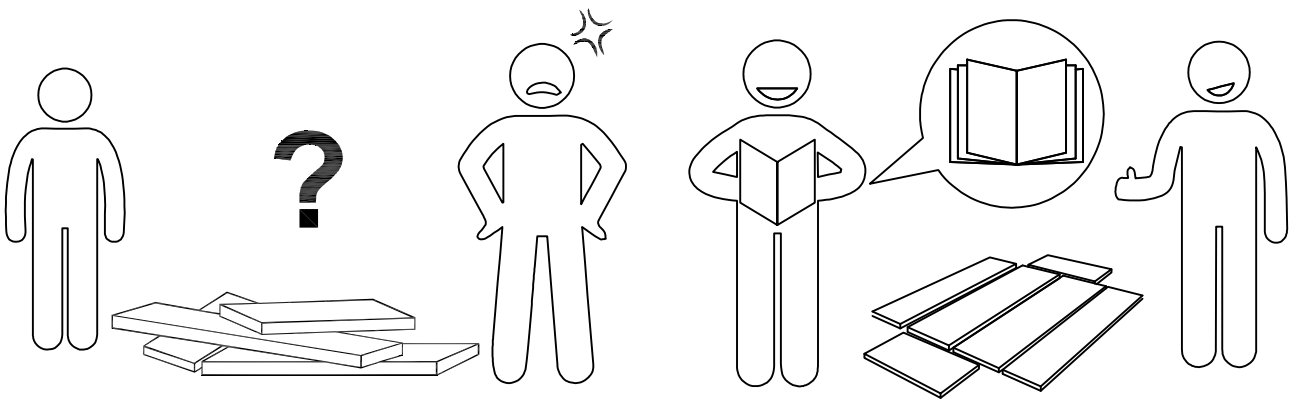


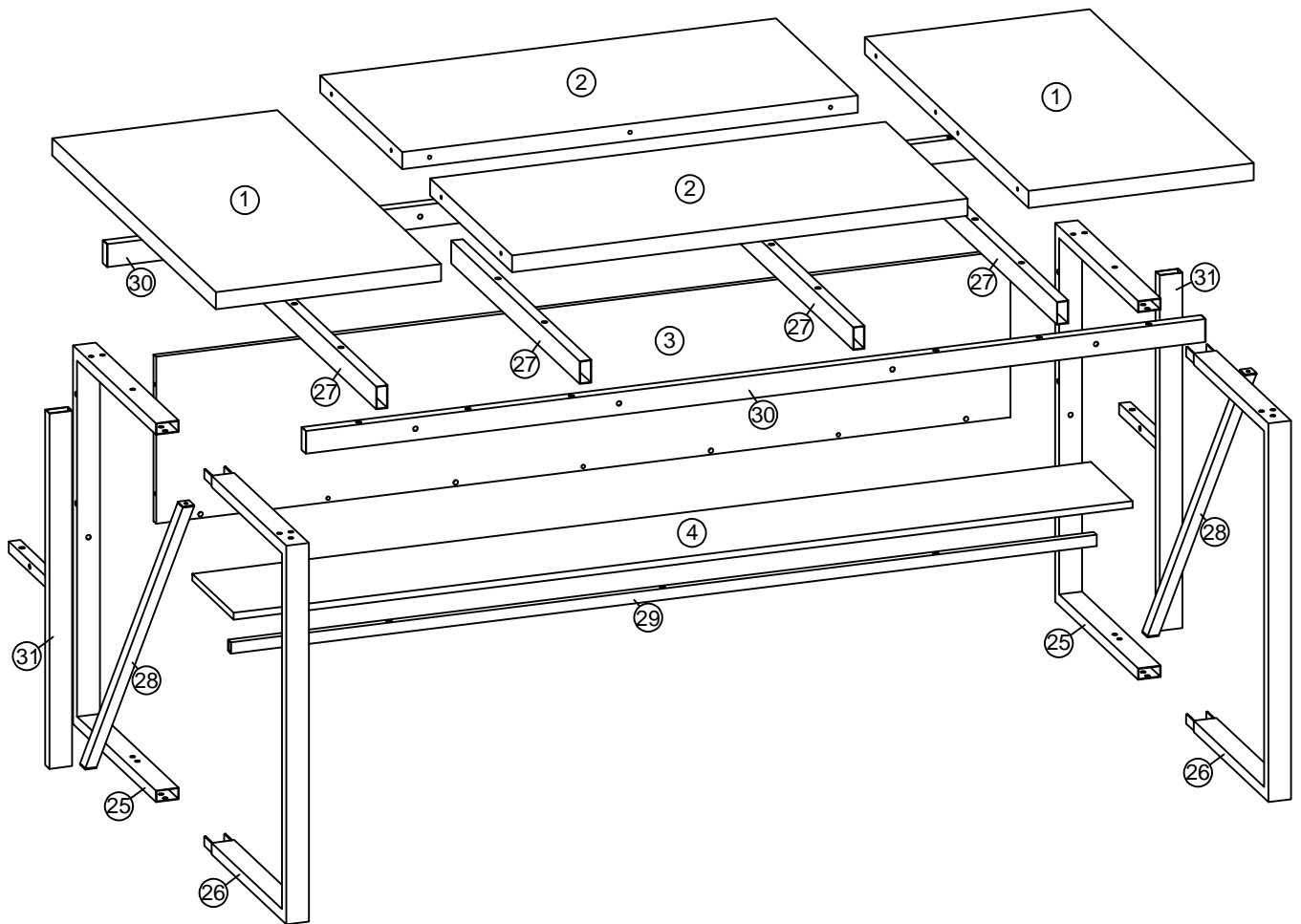
Desk



We recommend using hand tools for assembly.

If an electric screwdriver is used, reduce power and torque to avoid damage to the product.



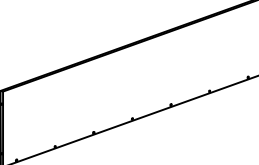

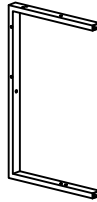


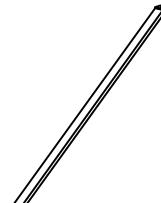

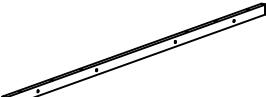
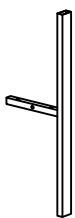




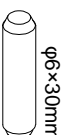




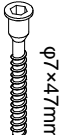
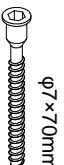
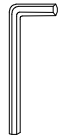
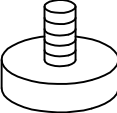

⚠ Caution

Make sure all parts are included. Most board parts are labeled or stamped on the raw edge. Contact us for a free replacement if you encounter any damaged or missing parts.

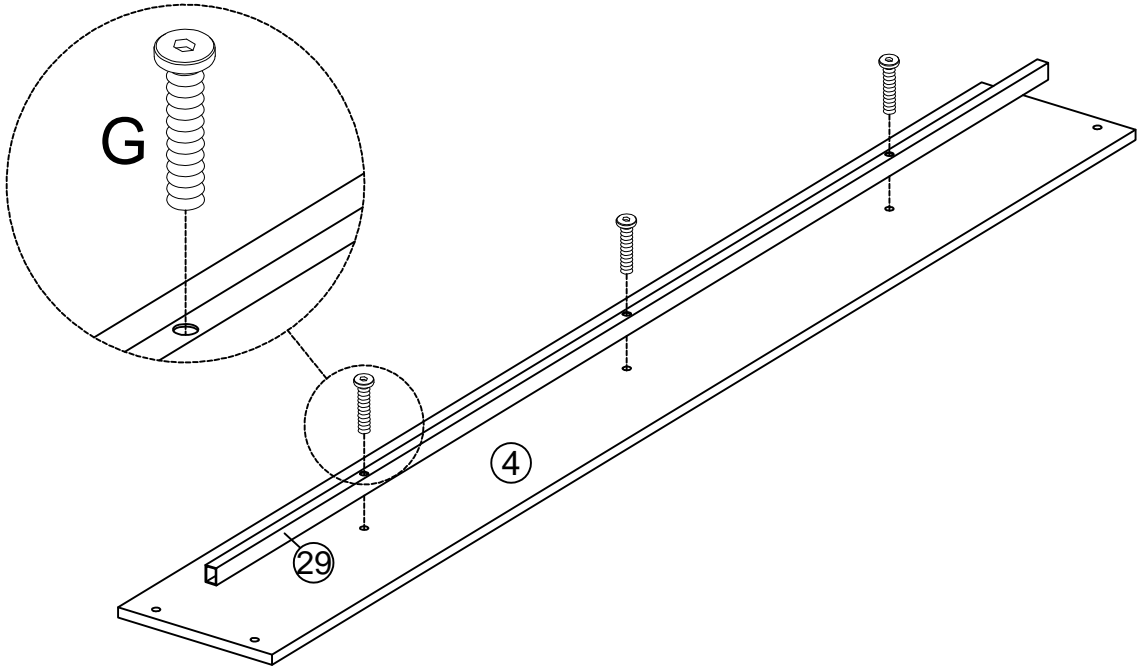
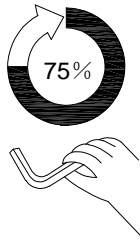
Parts List

				
1 2 pcs	2 2 pcs	3 1 pc	4 1 pc	25 2 pcs
				
26 2 pcs	27 4 pcs	28 2 pcs	29 1 pc	30 2 pcs
				
31 2 pcs				

Hardware List

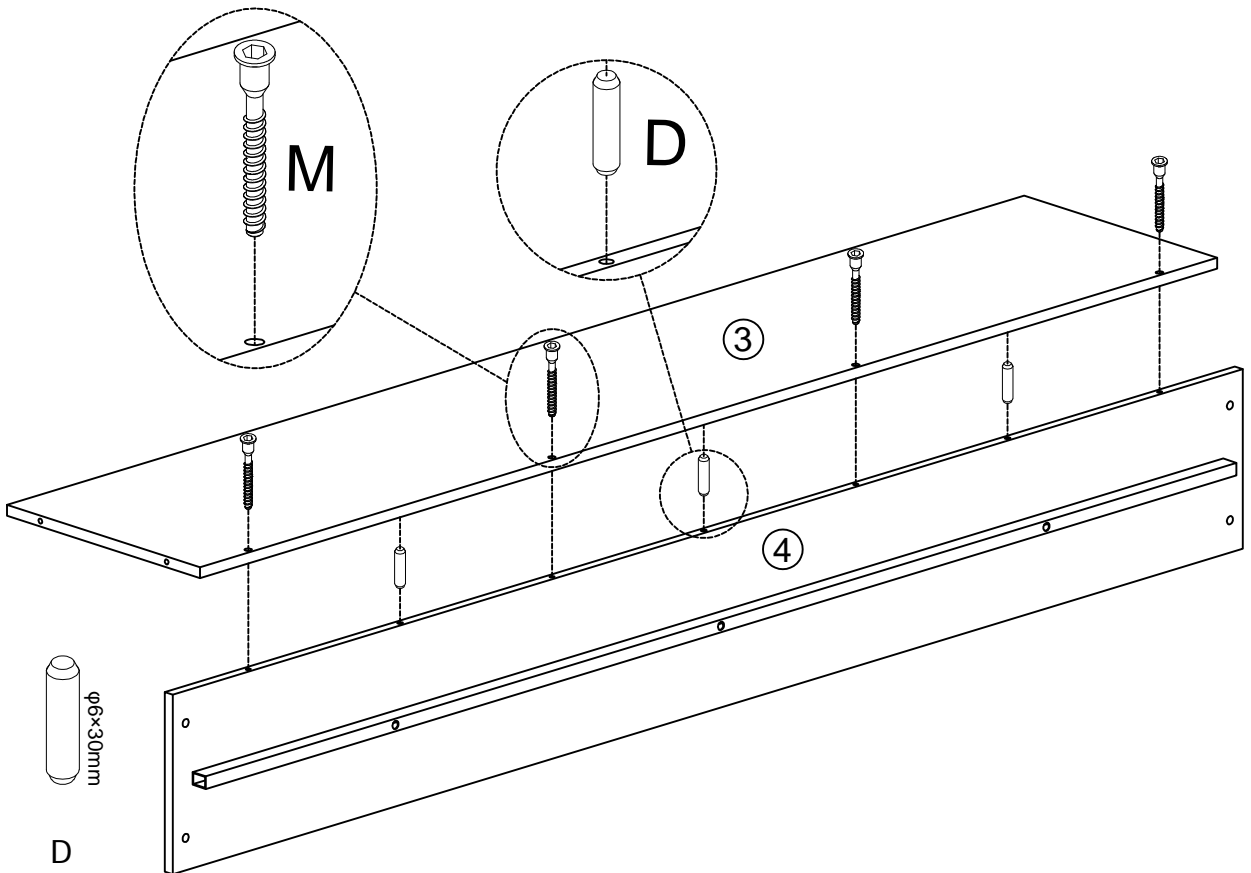
 φ6×30mm	 M6×55mm	 M6×40mm	 M6×28mm	 M6×12mm	 φ7×47mm	 φ7×70mm
D 14 pcs+1 pc	E 20 pcs+1 pc	F 16 pcs+1 pc	G 19 pcs+1 pc	H 8 pcs+1 pc	M 4 pcs+1 pc	N 4 pcs+1 pc
						
O 1 pc	Z 4 pcs	AA 4 pcs+1 pc				

1

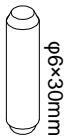


G
3 pcs

2

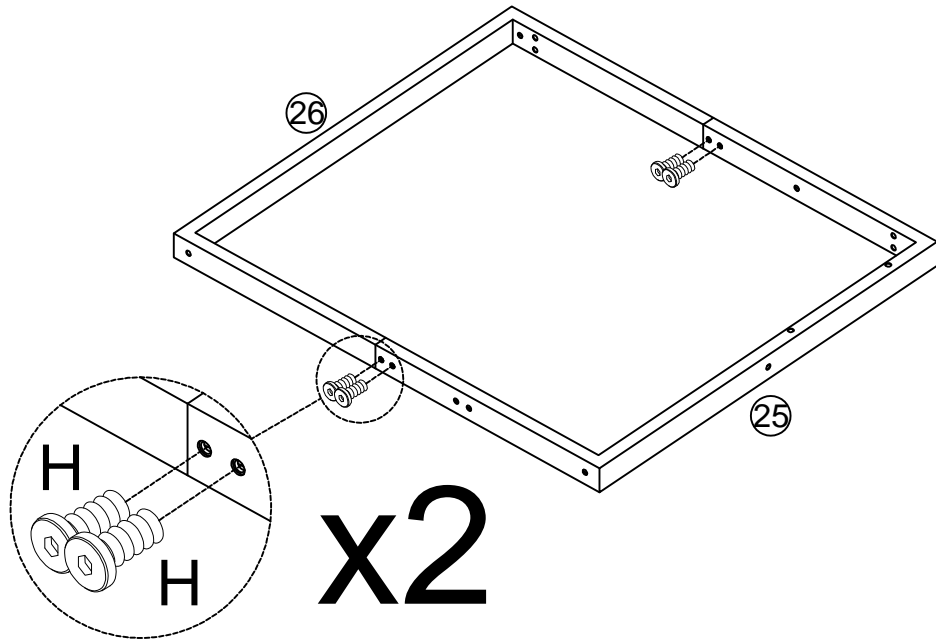
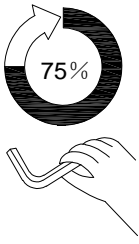


M
4 pcs



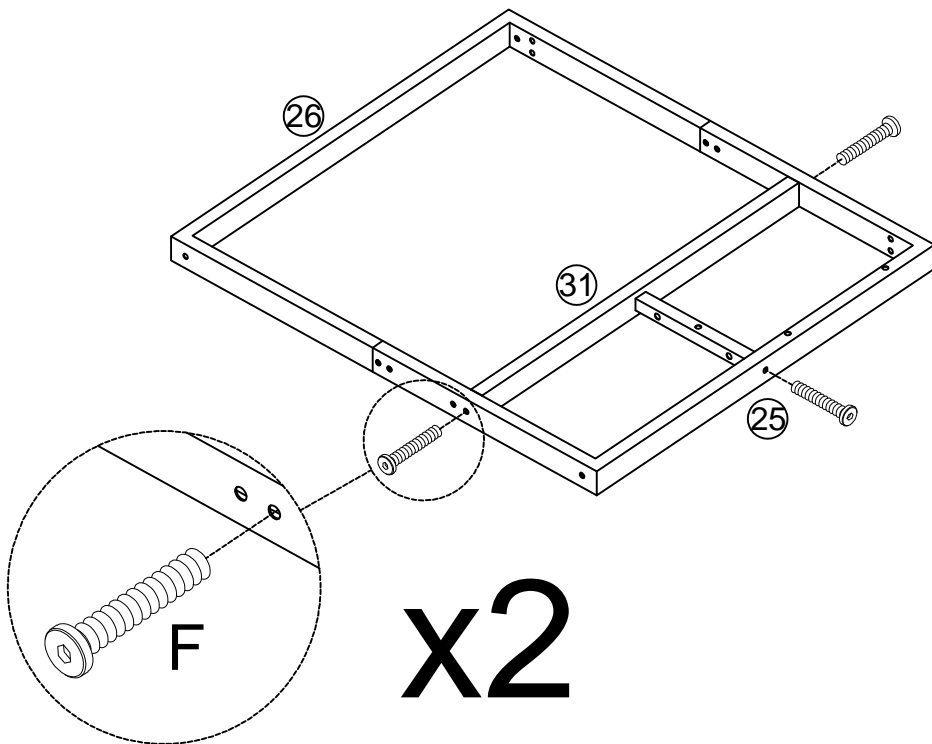
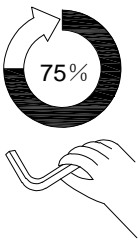
D
3 pcs

3



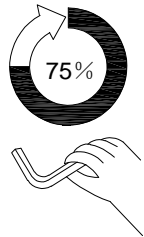
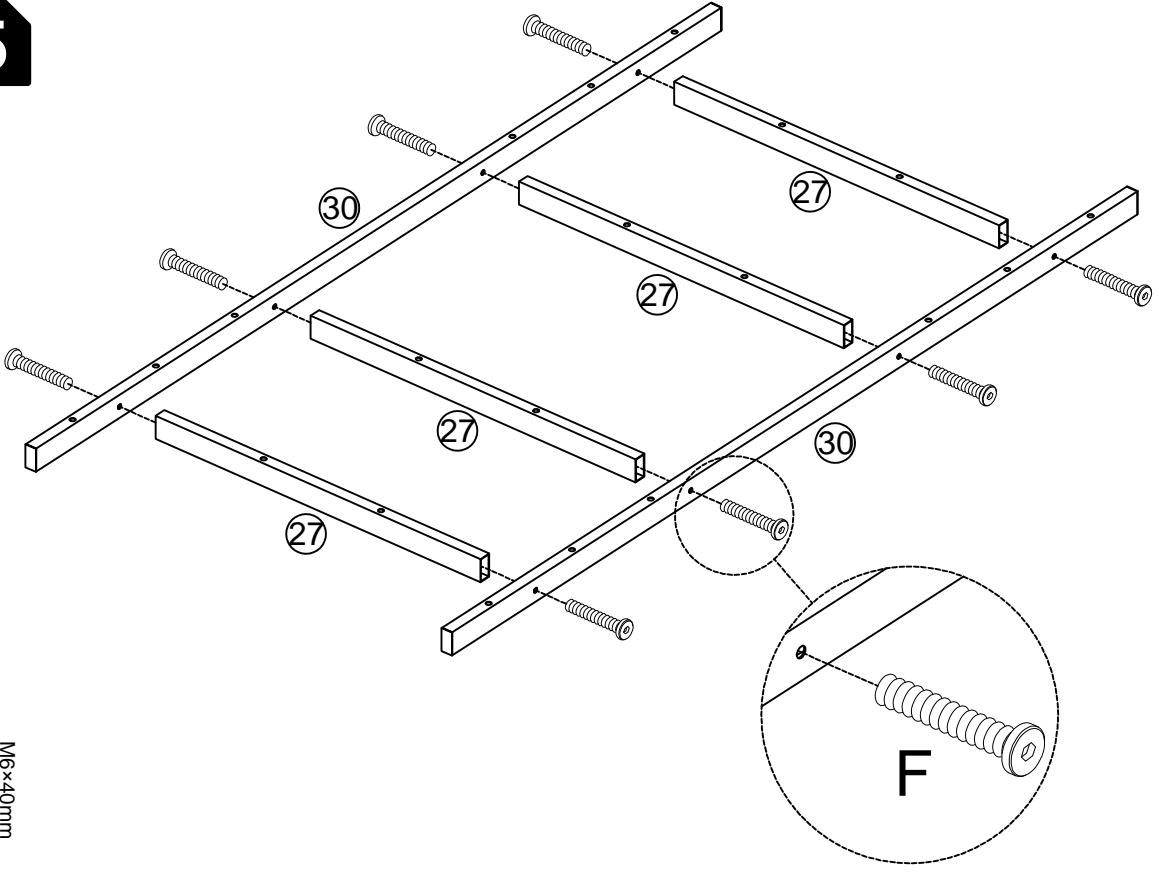
H
8 pcs

4



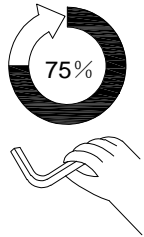
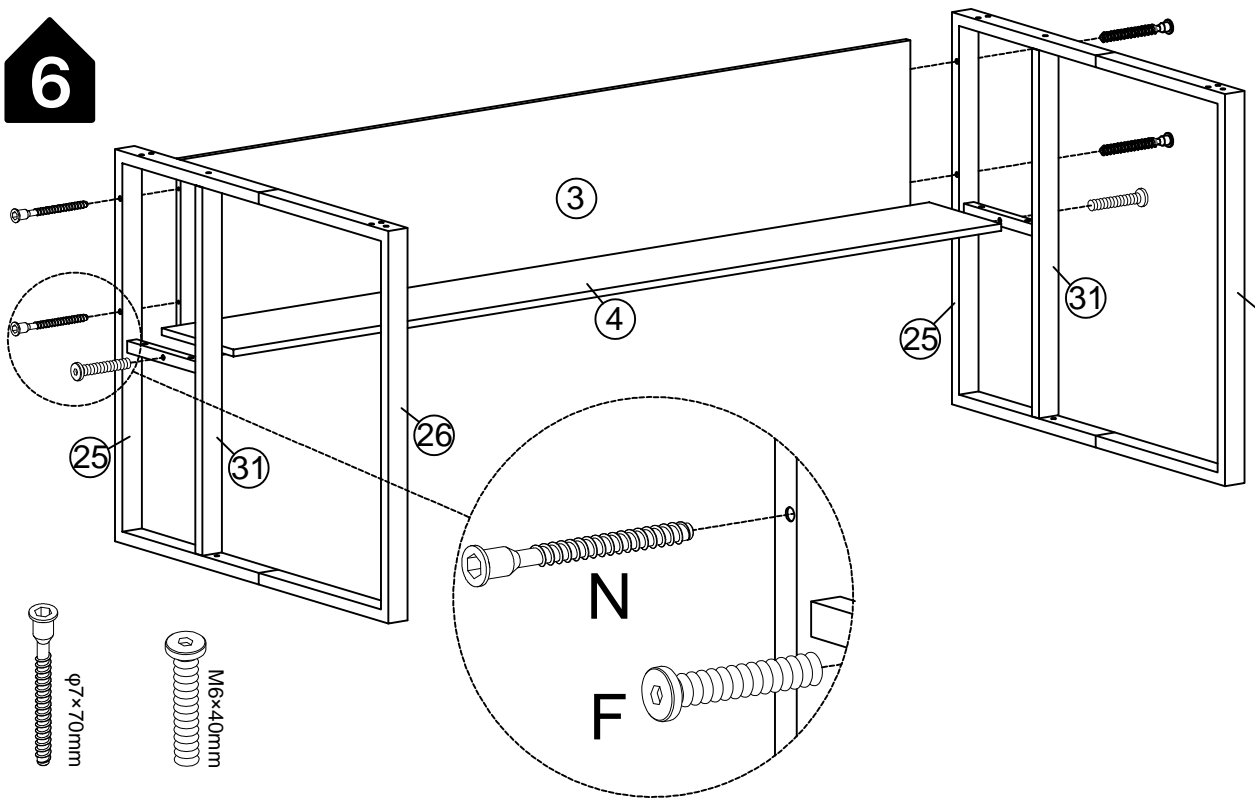
F
6 pcs

5



F
8 pcs

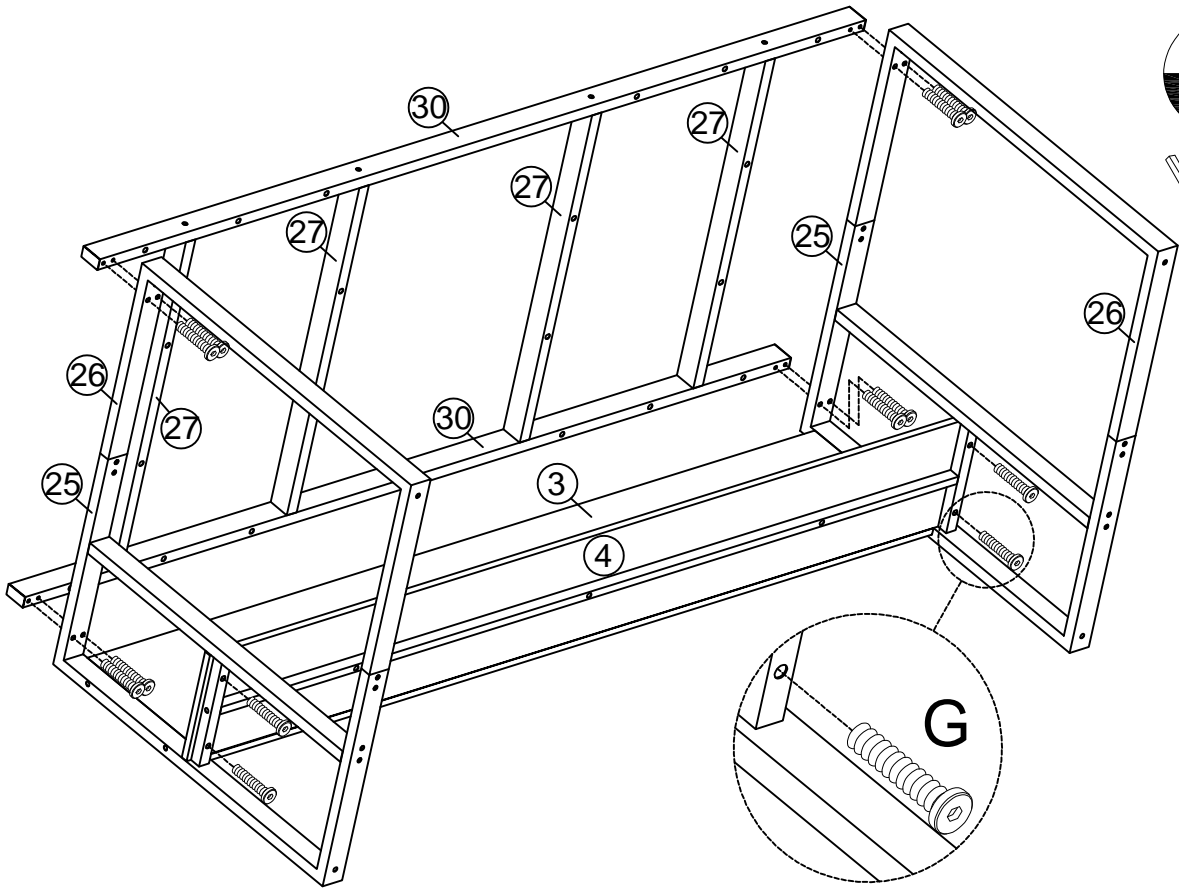
6



N
4 pcs

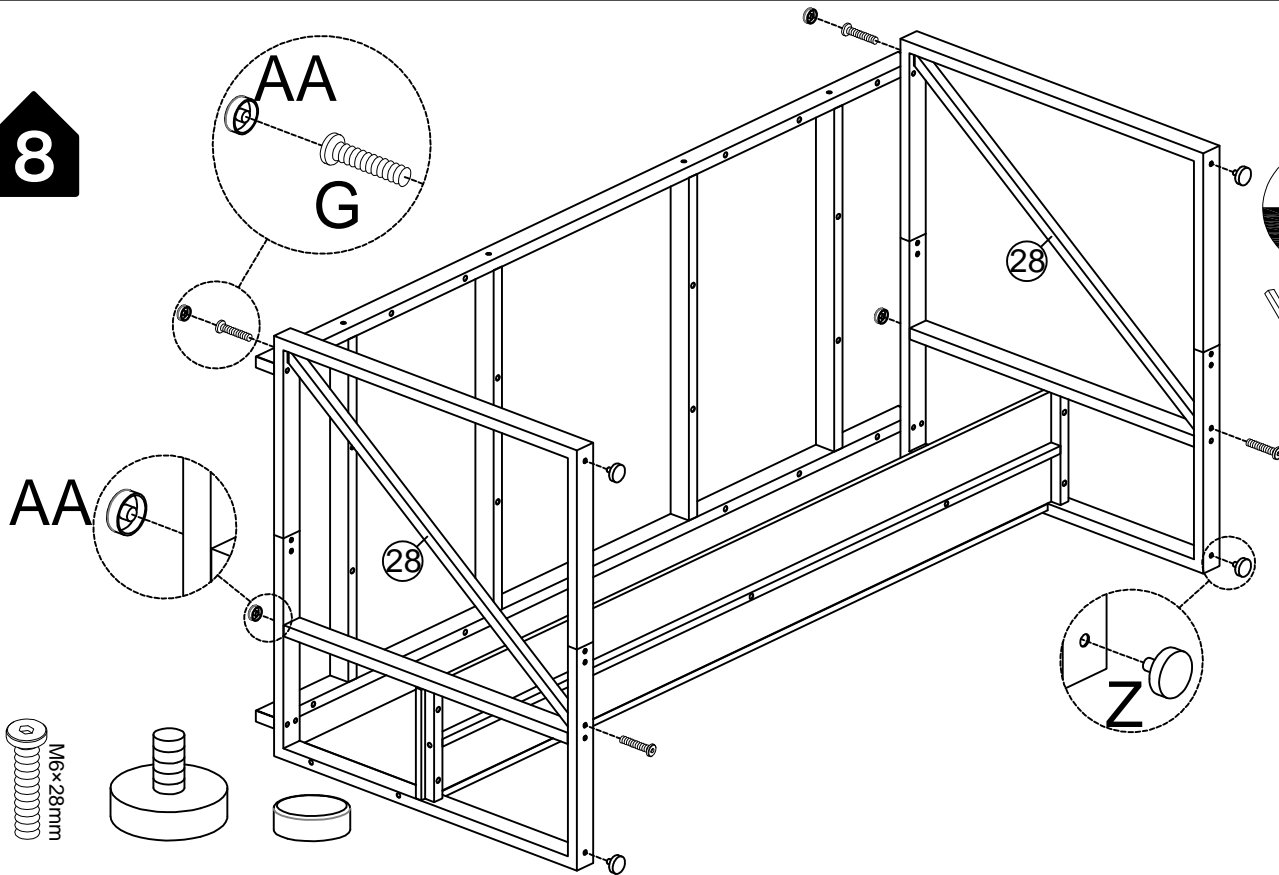
F
2 pcs

7

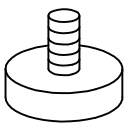


G
12 pcs

8



G
4 pcs

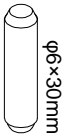
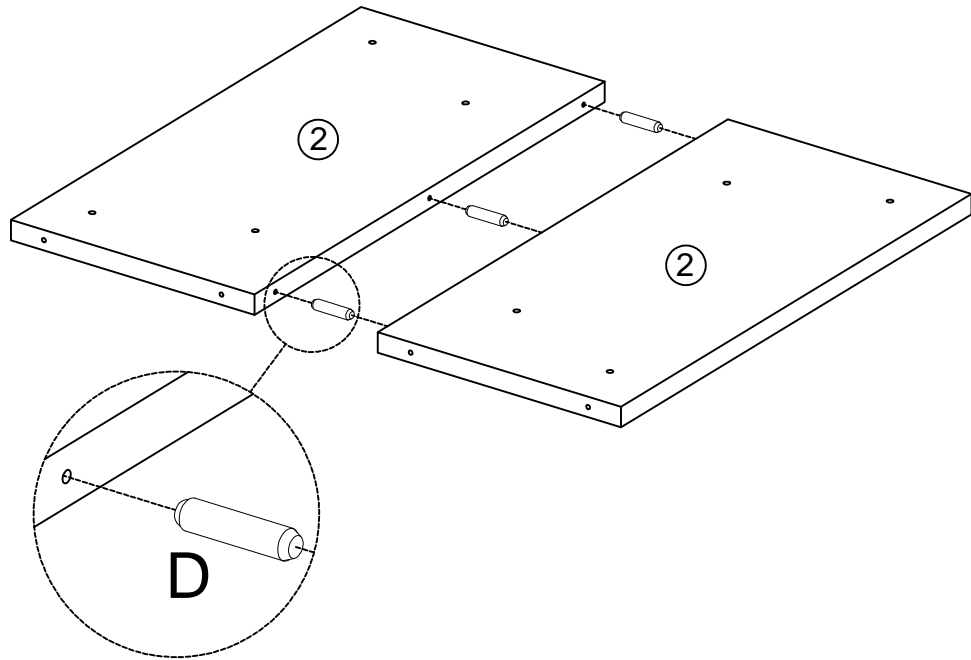


Z
4 pcs



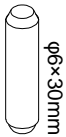
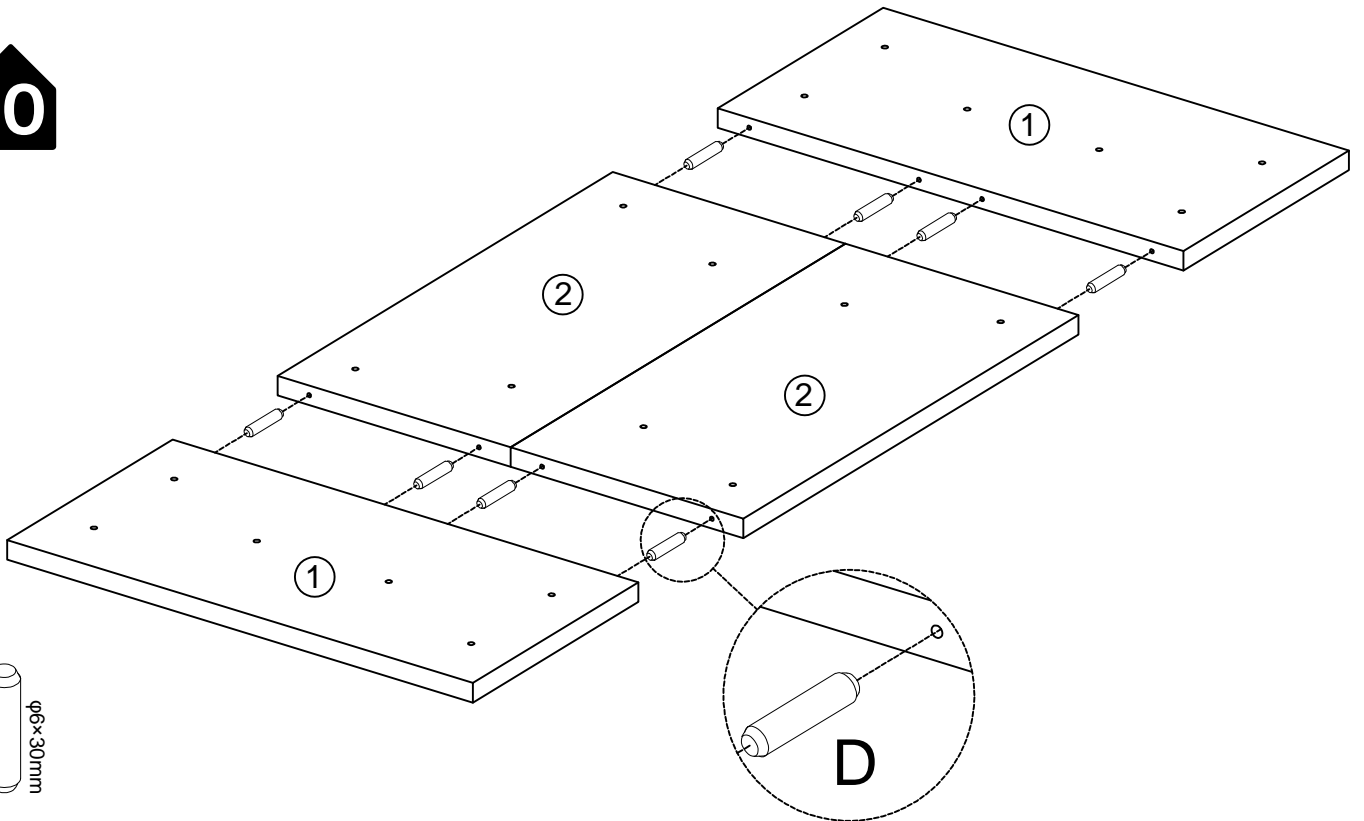
AA
4 pcs

9



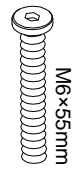
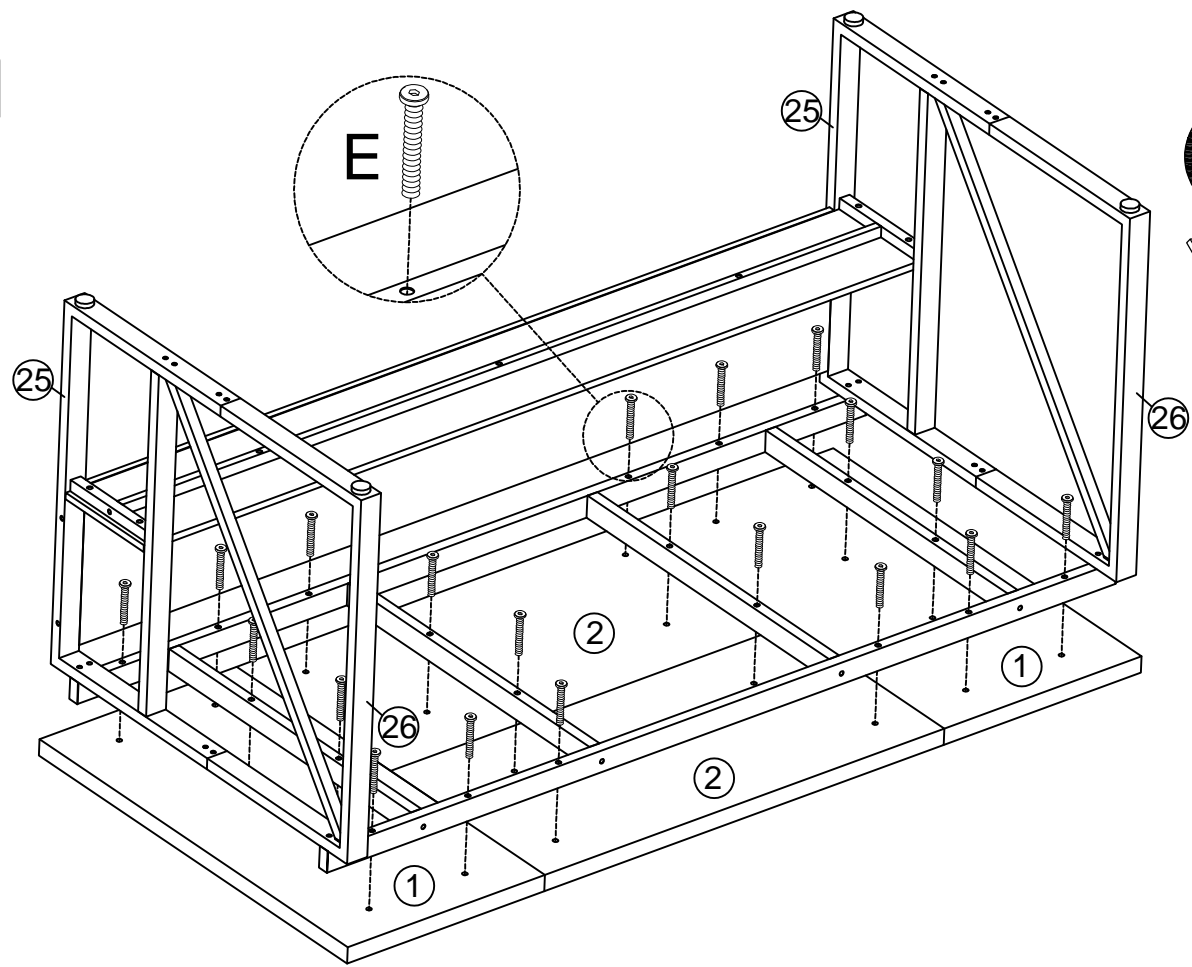
D
3 pcs

10



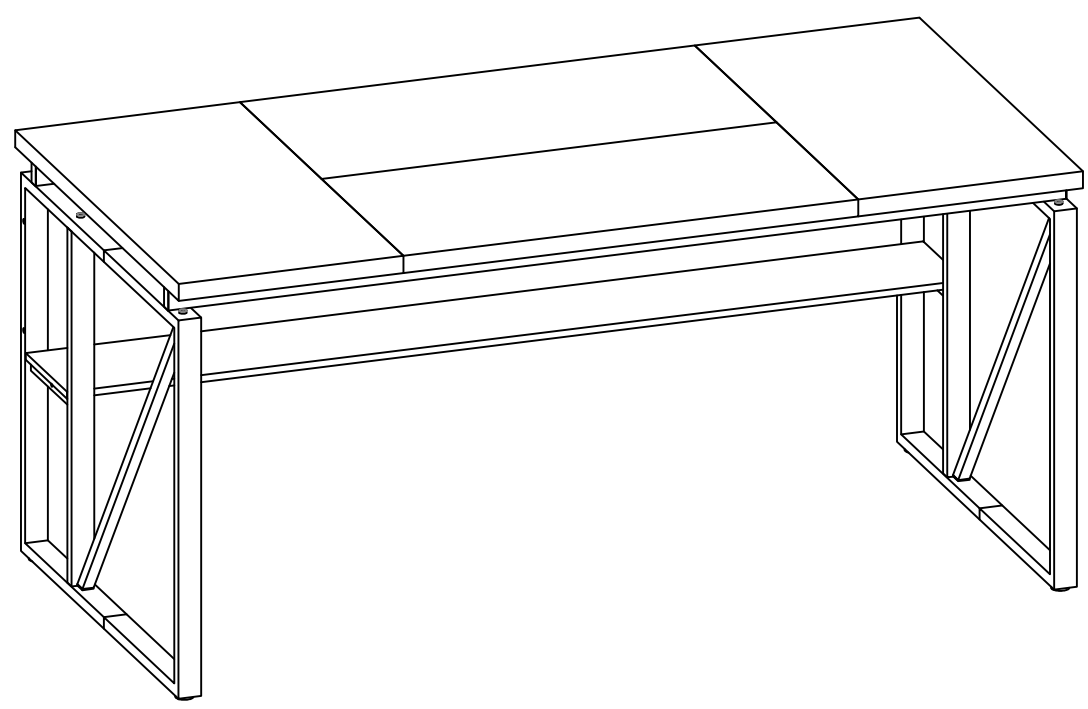
D
8 pcs

11



E
20 pcs

12



Thank you for your support!

