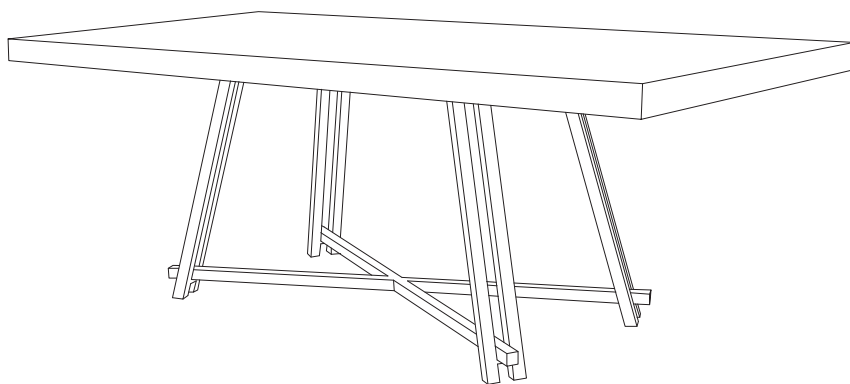


# ASSEMBLY INSTRUCTIONS

---



## TOOLS REQUIRED



Screwdriver  
( Not included)



(Included)  
Allen Wrench



2 - People

## ASSEMBLY RATING



EASY —————> DIFFICULT

The Assembly Rating is a 5-point system showing the level of effort needed to assemble a specific product.

VERSION # 24-05-20

---



## **CHECK BEFORE STARTING**

**Are you missing anything?**  
Double-check all parts, hardware and accessories listed are all accounted for.

**Should we send any replacements?**  
Are there any irregularities or flaws in the parts? We can send replacements!

**Check out our Quick Tips!**  
We recommend reviewing the pre-assembly handouts. Even experts need a refresher now and then!

**Prep Time!**  
Please review the assembly instructions and all diagrams prior to assembling.

# PRE ASSEMBLY INTRODUCTION

We understand building ready-to-assemble furniture can be a challenging experience for some. To help avoid confusion, we have provided some helpful tips that may speed up the process.



## Teamwork

ALWAYS have at least two people to help with transporting and assembling the product to avoid potential injury and/or damage.



## Suitable Location

Assembling near the area of the intended location is highly recommended.



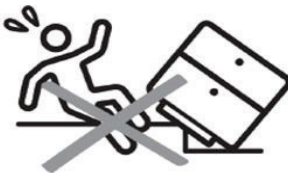
## Sufficient Space

Make sure you have enough space to move around during the assembly.



## Avoid Scratches

Use cardboard, blankets or a carpeted area while assembling furniture to prevent to prevent scratches and damages.



## Flat Surface

Make sure the furniture rests on a flat and level surface with each leg evenly touching the floor.

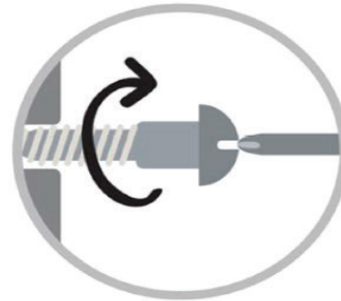
# ASSEMBLY AND CARE ADVICE



**FAILURE TO FOLLOW THE GUIDELINES BELOW MAY RESULT IN INJURY AND/OR PROPERTY DAMAGE.**



Position each part correctly and insert screws or bolts into their respective holes.



Turn clockwise to tighten and only tighten when step is completed or when instructed to do so.



Use the appropriate hand tools or power tools for assembly. Select steps, such as tightening screws and/or bolts, may require hand tools to avoid causing damage during assembly.



Save the instructions and store any supplied tools for later maintenance.



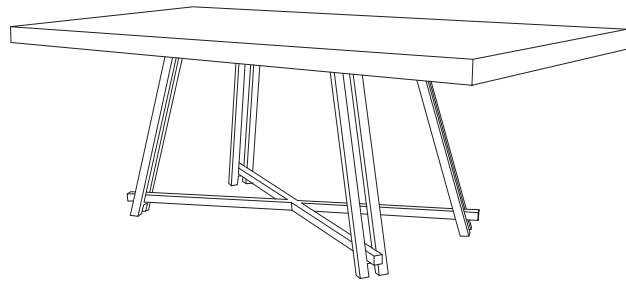
After two weeks, check and tighten any loose hardware and repeat again every six months thereafter.

**IT IS THE USER'S RESPONSIBILITY TO MAINTAIN THE FURNITURE. THE HARDWARE MAY LOOSEN OVER TIME AND MAY CAUSE THE FURNITURE TO BE WOBBLY AND UNABLE TO SUPPORT ITS INTENDED WEIGHT CAPACITY. THIS MAY LEAD TO COLLAPSE AND MAY CAUSE SERIOUS INJURY.**

# TABLE



- Please keep instructions for future reference.
- Check the quantity and irregularity of parts and hardware before you start.



## PARTS

(P1) - 1 PC



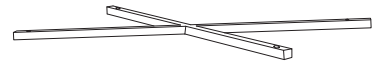
TABLE TOP

(P2) - 4 PCS



METAL LEG FRAME

(P3) - 1 PC



" X " METAL STRETCHER

## HARDWARE

(H1) - 20 PCS



M6 x 20 mm JCBC SCREW

(H2) - 20 PCS



SPRING WASHER

(H3) - 20 PCS

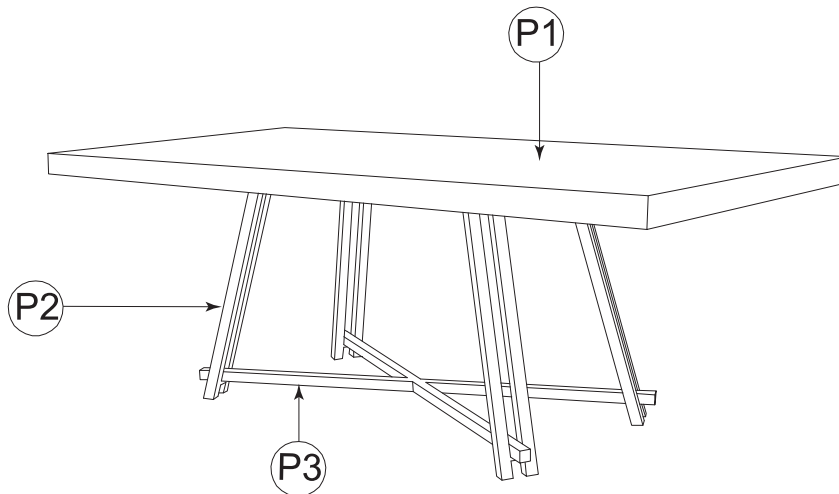


FLAT WASHER

(H4) - 1 PC



ALLEN KEY










Please read instructions carefully

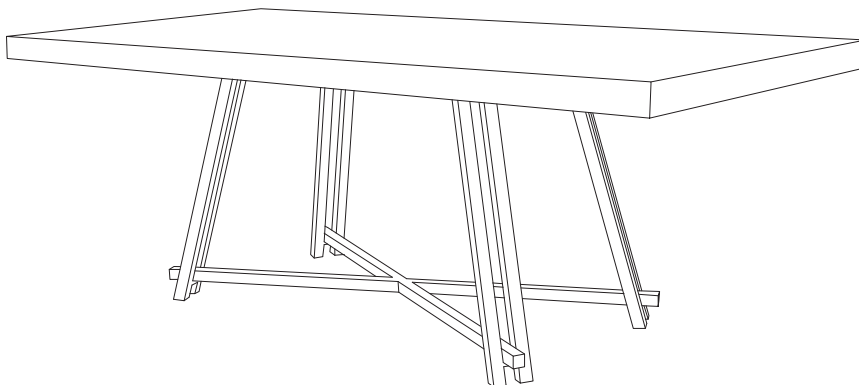
Remove all wrapping materials, staples and packing straps from the carton. Refer to Parts List and Hardware List and ensure they are complete before you start assembling. Place all wooden parts on a clean, flat and soft surface (e.g carpet or rug) to prevent parts from being scratched.

CAUTIONS: 1) DO NOT FULLY TIGHTEN BOLTS AND NUTS UNTIL ALL PARTS HAVE BEEN ASSEMBLED.

2) DO NOT OVER-TIGHTEN BOLTS AND NUTS .

3) KEEP ALL HARDWARE PARTS OUT OF REACH OF CHILDREN.

Carton	Designation	Part List	Hardware List
	TABLE TOP	 P1 x 1pc	 H1 x 20pc
	METAL LEG FRAME	 P2 x 4pc	M6x20mm JCBC SCREW
	"X" METAL STRETCHER	 P3 x 1pc	 H2 x 20pc
			Spring Washer
			 H3 x 20pc
			Flat Washer
			 H4 x 1pc
			Allen Key







COMPLETE ASSEMBLY

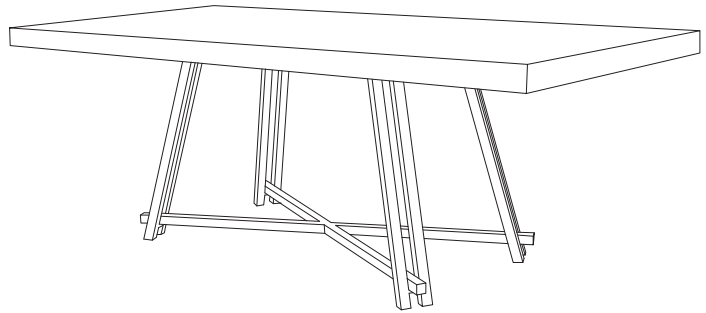
# ASSEMBLY INSTRUCTIONS TABLE

## PARTS LIST

NO.	COMPONENT	QTY.
P1	TABLE TOP	1
P2	METAL LEG FRAME	4
P3	"X" METAL STRETCHER	1

## HARDWARE LIST




NO.	DESCRIPTION	QTY.
H1	JCBC SCREW M6 x 20MM 	20
H2	SPRING WASHER 	20
H3	FLAT WASHER 	20
H4	ALLEN KEY 	1

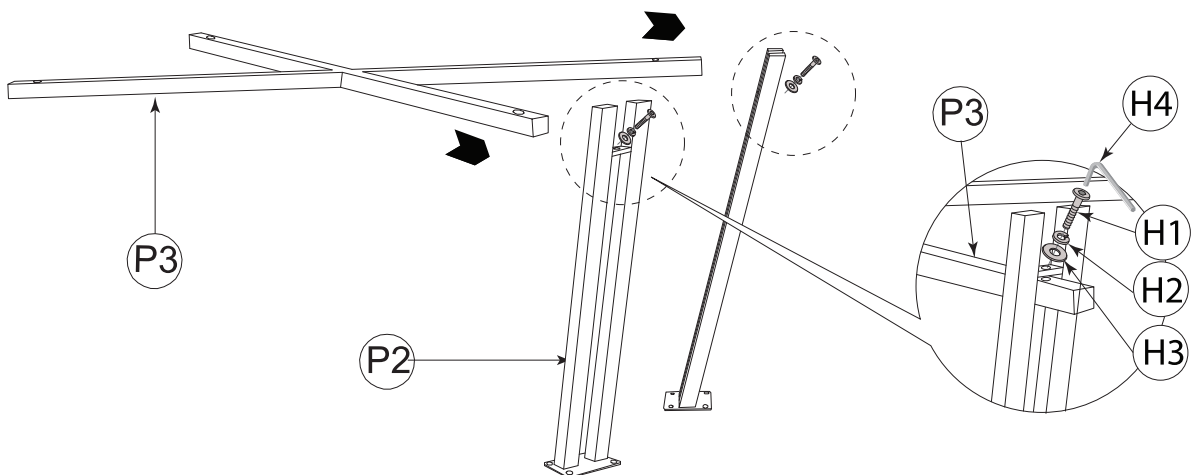


COMPLETE ASSEMBLY

## STEP 1

Assemble two of the Legs (P2) to the 'X' Metal leg (P3) by aligning the Bolts (H1) that fit with the Spring Washer (H2) and the Flat Washer (H3). Tighten all the bolts using Allen key (H4), but not fully tighten yet.

H1 x 2	 M6 x 20mm
H2 x 2	
H3 x 2	



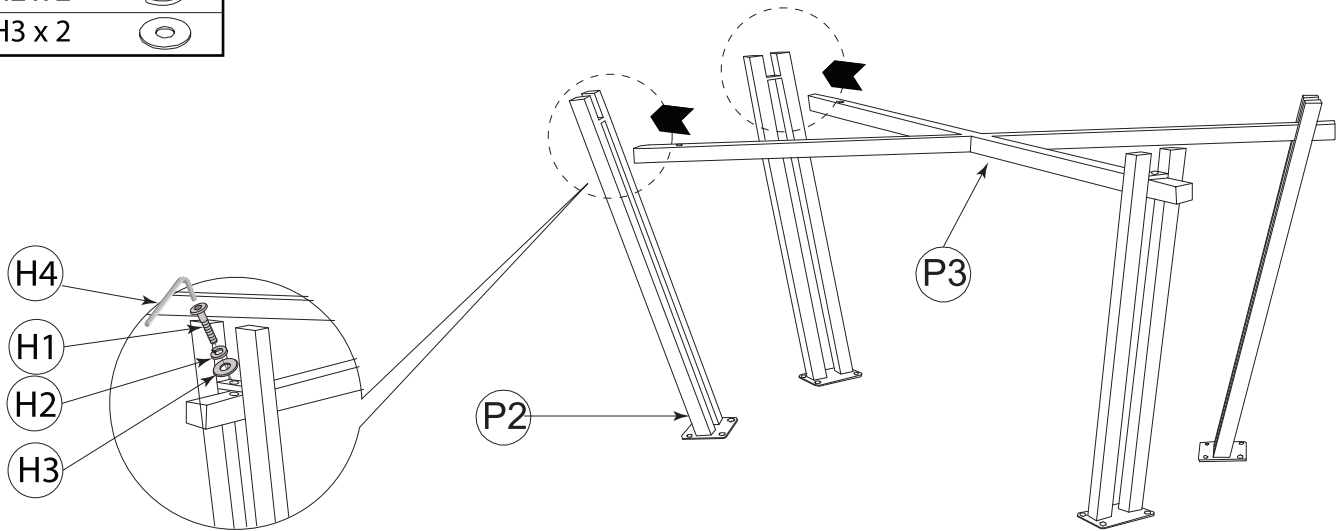
## STEP 2

Assemble the two other Legs (P2) into the 'X' Metal leg (P3) by aligning the Bolts (H1) that fit with the Spring Washer (H2) & the Flat Washer (H3). Tighten all the bolts using Allen key (H4), but not fully tighten yet.

H1 x 2  M6 x 20mm

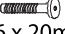
H2 x 2 


H3 x 2 




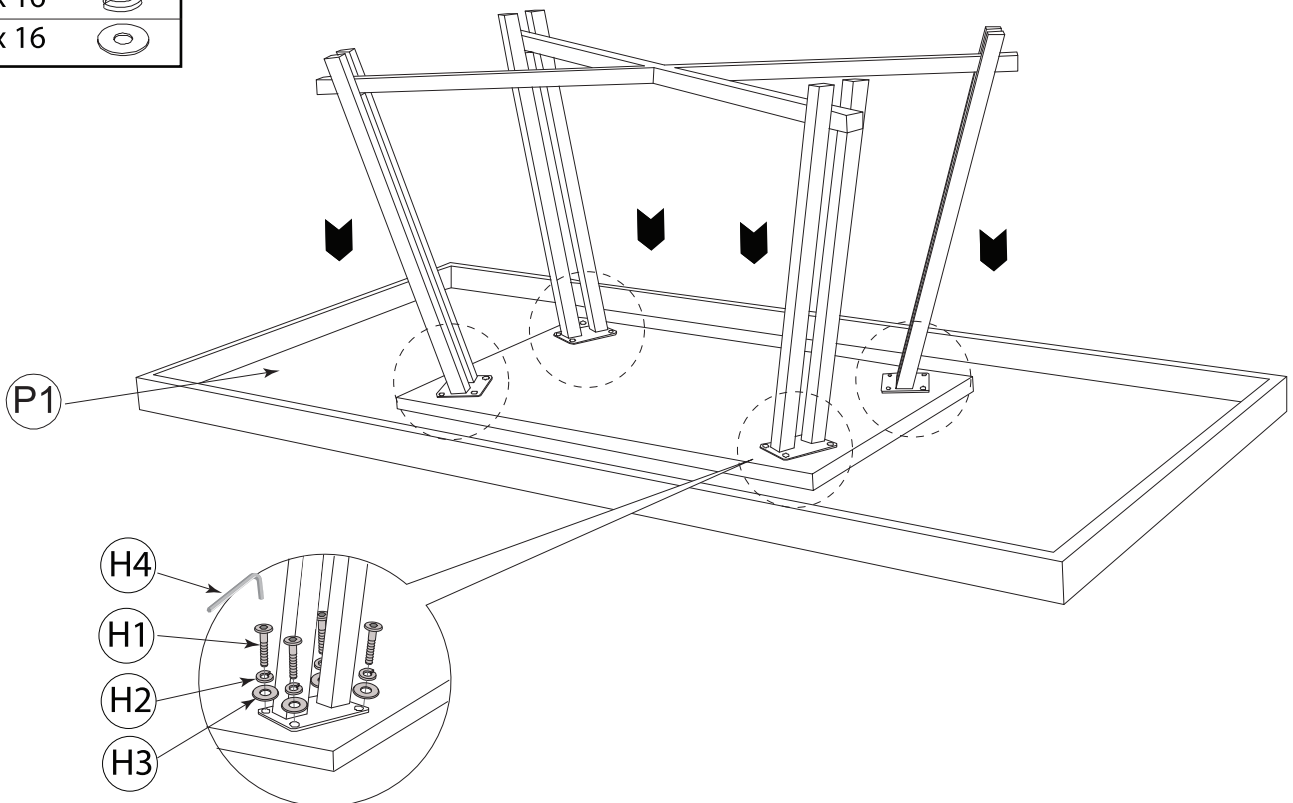
## STEP 3

Attach the assembled leg frames to the underside of the Table Top (P1), align the Bolts (H1) that fit with the Spring washer (H2) & Flat washer (H3). Tighten all the bolts using Allen key (H4), and fully tighten all the bolts.

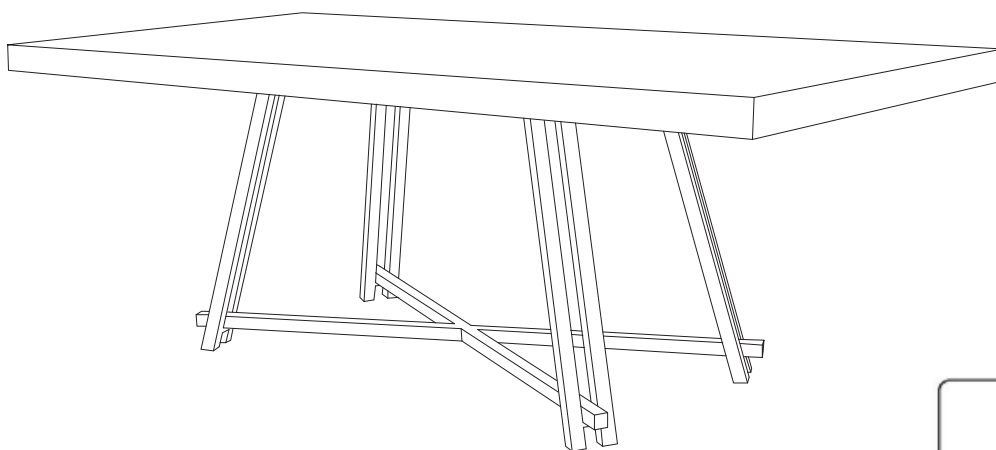
H1 x 16  M6 x 20mm

H2 x 16 

H3 x 16 



GET THE HELP OF TWO OR MORE ADULT PEOPLE TO PUT THE TABLE UPRIGHT CAREFULLY.  
Please make sure the Table stands level on a hard, flat surface. Use the Allen key (H4) to tighten all the Bolts fully and ensure the Table does not wobble.



### ASSEMBLY COMPLETED



Please ensure the furniture rests on an even and flat surface. If the product wobbles or feels loose, double-check all bolts and/or screws are properly tightened and secured.

✓ **Keep this handy!**

Please retain this instruction manual and any order-related information for future reference.

✓ **Lift, don't drag!**

To avoid damage to product please always LIFT the product when transporting or adjusting the placement.

**This product is intended for RESIDENTIAL USE ONLY and not for commercial use .**

#### CARE AND MAINTENANCE

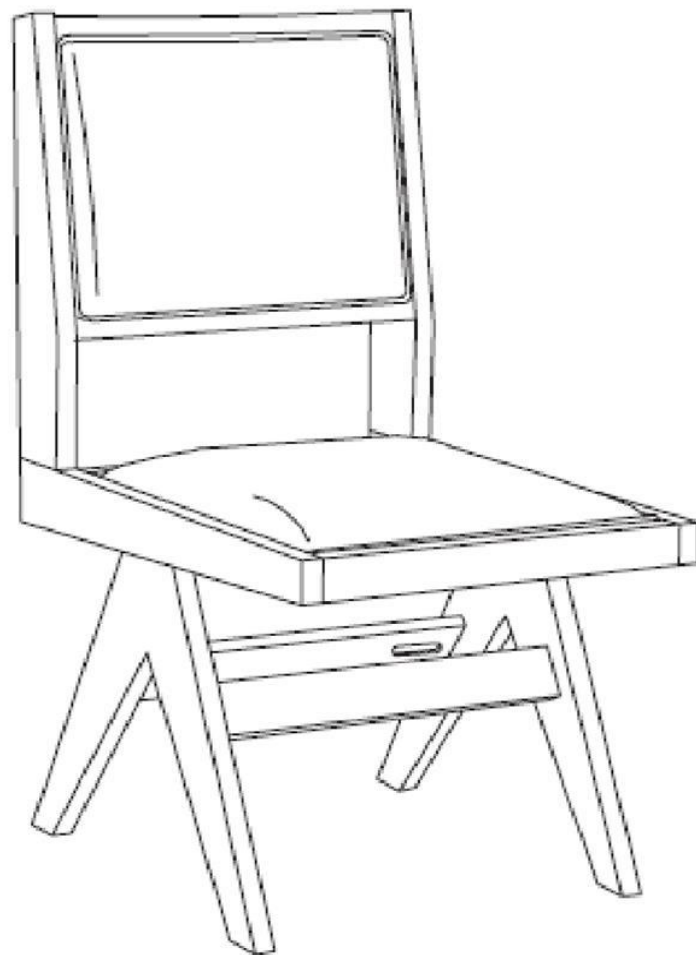
**SAFETY** - To avoid any risk of suffocation to children or animals, dispose off the plastic bags immediately.

**CLEANING** - Clean with damp cloth and mild detergent. Do not use bleach or abrasive products.

**FITTINGS** - Tighten bolts and nuts from time to time to ensure all parts of product are securely fitted.

# ASSEMBLY INSTRUCTIONS

---



VERSION # 24-05-20

## TOOLS REQUIRED



Screwdriver  
( Not included)



(Included)  
Allen Wrench



2 - People

## ASSEMBLY RATING



EASY —————> DIFFICULT

The Assembly Rating is a 5-point system showing the level of effort needed to assemble a specific product.



## **CHECK BEFORE STARTING**

**Are you missing anything?**  
Double-check all parts, hardware and accessories listed are all accounted for.

**Should we send any replacements?**  
Are there any irregularities or flaws in the parts? We can send replacements!

**Check out our Quick Tips!**  
We recommend reviewing the pre-assembly handouts. Even experts need a refresher now and then!

**Prep Time!**  
Please review the assembly instructions and all diagrams prior to assembling.

# PRE ASSEMBLY INTRODUCTION

We understand building ready-to-assemble furniture can be a challenging experience for some. To help avoid confusion, we have provided some helpful tips that may speed up the process.



## Teamwork

ALWAYS have at least two people to help with transporting and assembling the product to avoid potential injury and/or damage.



## Suitable Location

Assembling near the area of the intended location is highly recommended.



## Sufficient Space

Make sure you have enough space to move around during the assembly.



## Avoid Scratches

Use cardboard, blankets or a carpeted area while assembling furniture to prevent to prevent scratches and damages.



## Flat Surface

Make sure the furniture rests on a flat and level surface with each leg evenly touching the floor.

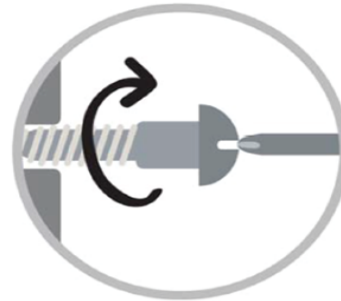
# ASSEMBLY AND CARE ADVICE



**FAILURE TO FOLLOW THE GUIDELINES BELOW MAY RESULT IN INJURY AND/OR PROPERTY DAMAGE.**



Position each part correctly and insert screws or bolts into their respective holes.



Turn clockwise to tighten and only tighten when step is completed or when instructed to do so.



Use the appropriate hand tools or power tools for assembly. Select steps, such as tightening screws and/or bolts, may require hand tools to avoid causing damage during assembly.



Save the instructions and store any supplied tools for later maintenance.



After two weeks, check and tighten any loose hardware and repeat again every six months thereafter.

**IT IS THE USER'S RESPONSIBILITY TO MAINTAIN THE FURNITURE. THE HARDWARE MAY LOOSEN OVER TIME AND MAY CAUSE THE FURNITURE TO BE WOBBLY AND UNABLE TO SUPPORT ITS INTENDED WEIGHT CAPACITY. THIS MAY LEAD TO COLLAPSE AND MAY CAUSE SERIOUS INJURY.**

# SIDE CHAIR

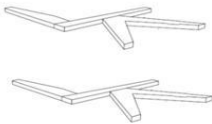


- Please keep instructions for future reference.
- Check the quantity and irregularity of parts and hardware before you start.



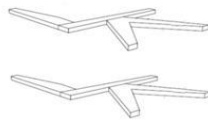
## PARTS

(P1) - 2 PCS



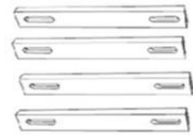
LEG FRAME-RIGHT

(P2) - 2 PCS



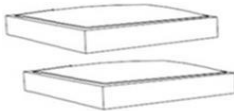
LEG FRAME-LEFT

(P3) - 4 PCS



SUPPORT RAIL

(P4) - 2 PCS



SEAT

(P5) - 2 PCS



BACKREST

## HARDWARE

(H1) - 12 PCS



M6x35mm JCBC SCREW

(H2) - 8 PCS



M6x50mm JCBC SCREW

(H3) - 28 PCS



Spring Washer

(H4) - 12 PCS



Flat Washer (BIG)

(H5) - 8 PCS



Flat Washer (SMALL)

(H6) - 36 PCS



Wood Button M8x30mm

## HARDWARE

H7 - 8 PCS



Wood Button

H8 - 1 PCS



Allen Key

H9 - 8 PCS

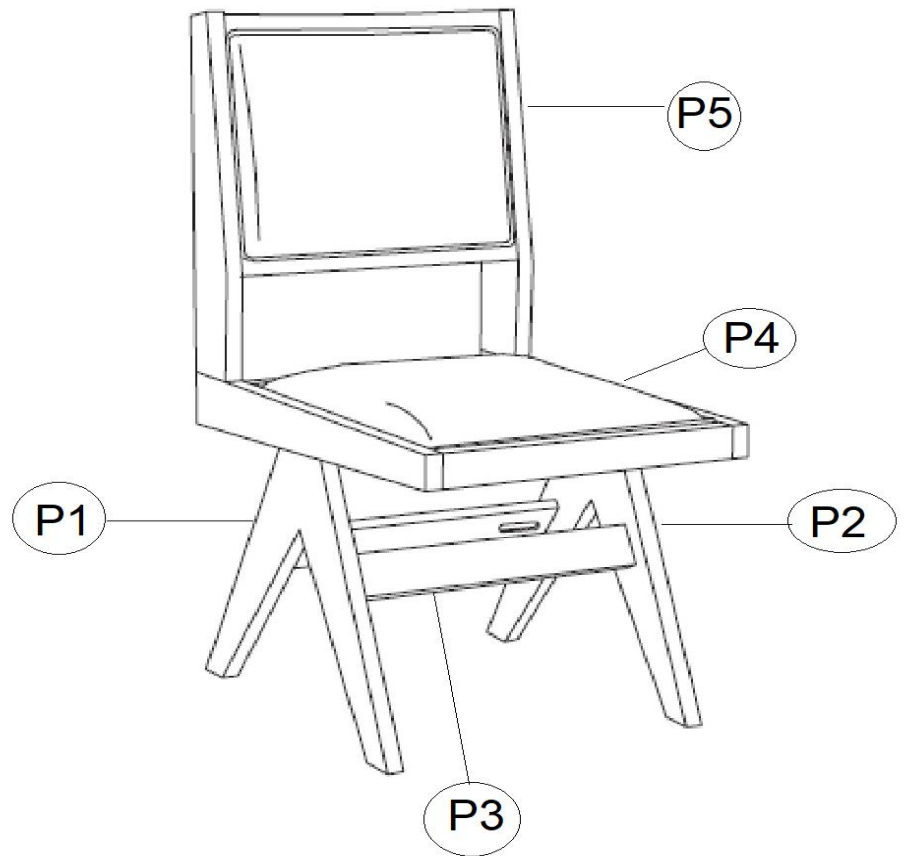


Nail Leg

H10 - 8 PCS



M6 x 30mm JCBC SCREW





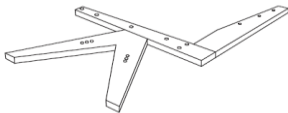
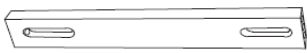

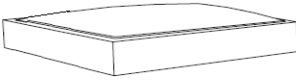
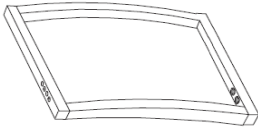








Please read instructions carefully

Remove all wrapping materials, staples and packing straps from the carton. Refer to Parts List and Hardware List and ensure they are complete before you start assembling. Place all wooden parts on a clean, flat and soft surface (e.g carpet or rug) to prevent parts from being scratched.

CAUTIONS: 1) DO NOT FULLY TIGHTEN BOLTS AND NUTS UNTIL ALL PARTS HAVE BEEN ASSEMBLED.

2) DO NOT OVER-TIGHTEN BOLTS AND NUTS .

3) KEEP ALL HARDWARE PARTS OUT OF REACH OF CHILDREN.

Carton	Designation	Part List	Hardware List
	LEG FRAME- (P1)	 P1 x 2pc	 H1 x 12pc
	LEG FRAME- (P2)	 P2 x 2pc	M6x35mm JCBC SCREW
	SUPPORT RAIL	 P3 x 4pc	 H2 x 8pc
	SEAT	 P4 x 2pc	M6x50mm JCBC SCREW
	BACKREST	 P5 x 2pc	 H3 x 28pc Spring Washer
			 H4 x 12pc Flat Washer(Big)
			 H5 x 8pc Flat Washer(Small)
			 H6 x 36pc Wood Dowel M8x30mm
			 H7 x 8pc Wood Button
			 H8 x 1pc Allen Key
			 H9 x 8pc NAIL LEG
			 H10 x 8pc M6x30mm JCBC SCREW



COMPLETE ASSEMBLY

# ASSEMBLY INSTRUCTIONS

## SIDE CHAIR



### PARTS LIST (FOR 2 CHAIRS)

NO.	COMPONENT	QTY.
P1	LEG FRAME - (P1)	2
P2	LEG FRAME - (P2)	2
P3	SUPPORT RAIL	4
P4	SEAT	2
P5	BACKREST	2



COMPLETE ASSEMBLY

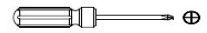
### HARDWARE LIST (FOR 2 CHAIRS)

NO.	DESCRIPTION	QTY.
H1	JCBC SCREW M6 x 35MM 	12
H2	JCBC SCREW M6 x 50MM 	8
H3	SPRING WASHER 	28
H4	FLAT WASHER (BIG) 	12
H5	FLAT WASHER (SMALL) 	8
H6	WOODEN DOWEL M8 x 30mm 	36
H7	WOOD BUTTON 	8
H8	ALLEN KEY 	1
H9	NAIL LEG 	8
H10	JCBC SCREW M6 x 30MM 	8

**RUBBER MALLET IS NOT PROVIDED.**

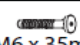


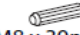


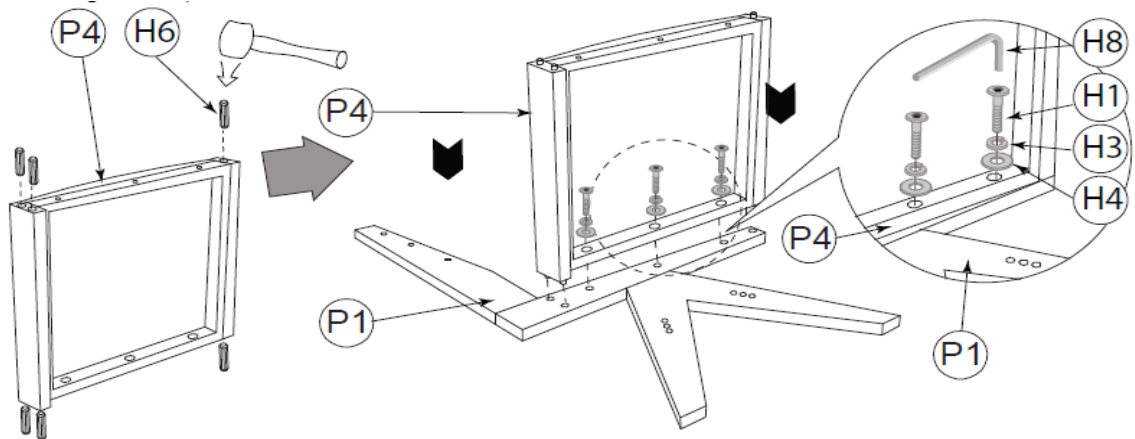
**SCREWDRIVER IS NOT PROVIDED.**



### STEP 1




Prepare the Seat (P4) by inserting the Wooden dowel (H6) into the desired holes. Then, place the Leg frame-Left (P1) on a clean, soft surface. Attach the Seat (P4) by locating the dowel the Seat into the desired holes in the Leg frame. Align Bolt (H1) together with Spring washer (H3) & Flat washer Big (H4). Tighten the bolts using Allen key (H8).

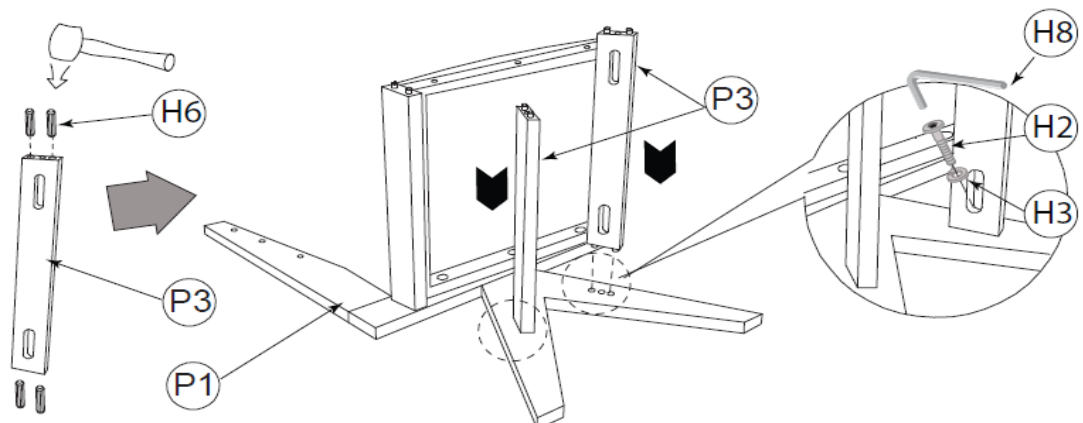
H1 x 3	 M6 x 35mm
H3 x 3	
H4 x 3	
H6 x 6	 M8 x 30mm








### STEP 2

Prepare the Stretchers (P3) by inserting the Wooden dowel (H6) into the desired holes. Attach both Stretchers (P3) into the desired holes in the Leg frame-Left (P1). Align Bolt (H2) with Spring Washer (H3) & tighten it using Allen key (H8).

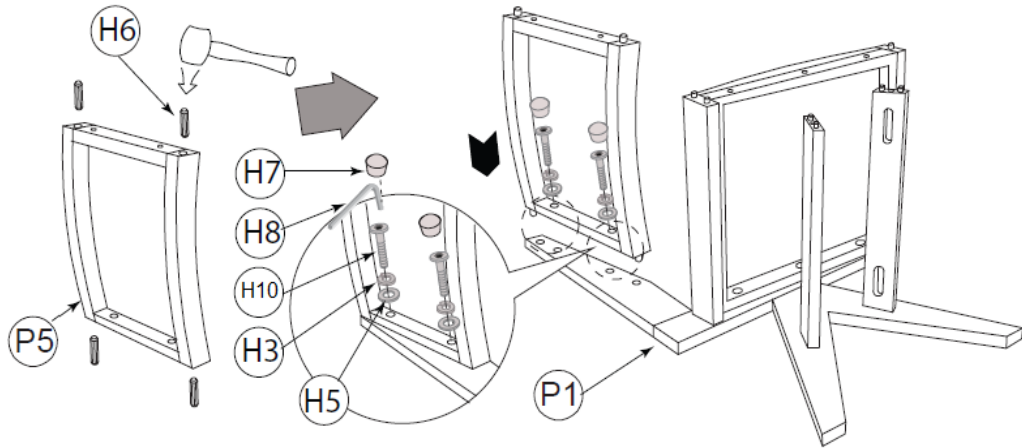
H2 x 2	 M6 x 50mm
H3 x 2	
H6 x 8	 M8 x 30mm



### STEP 3

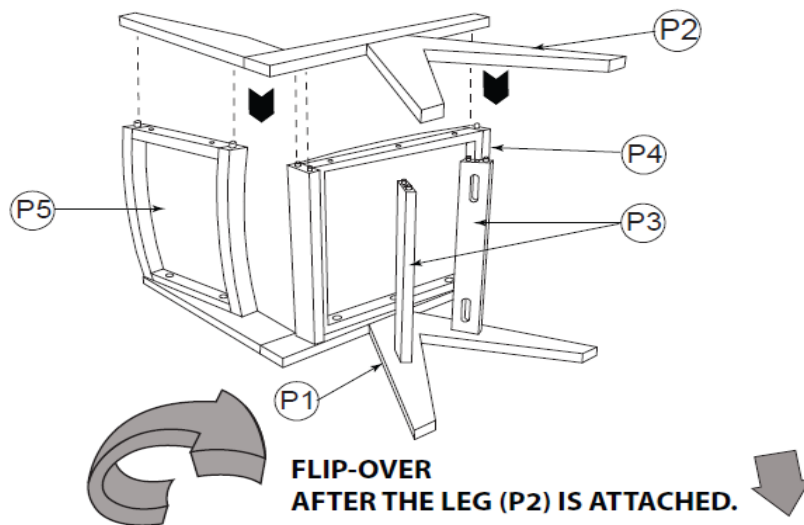
H10 x 2	 M6 x 30mm
H3 x 2	
H5 x 2	
H6 x 4	 M8 x 30mm
H7 x 2	

Prepare the Backrest (P5) by inserting the Wooden dowel (H6) into the desired holes. Then Attach the Backrest (P5) into the Leg frame. Align Bolt (H10) together with the Spring washer (H3) & the Flat washer Small (H5)  
Tighten it using Allen key (H8). Tap the Wood button (H7) to cover the holes.






### STEP 4

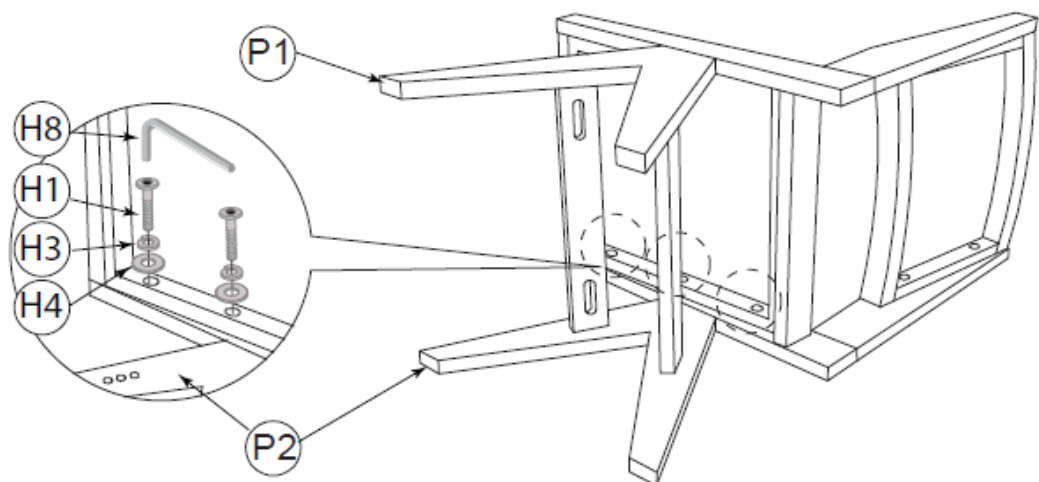
Prepare the other side of the leg: the Leg frame-Right (P2). Attach it to the parts of (Seat P4), Stretchers (P3) & Backrest (P5), by locating the wood dowel at those parts to the desired holes in the Leg (P2).  
Use a rubber mallet to tap the leg frame until all the parts are snug to the leg frame.  
Then, carefully flip the chair to the other side as a preparation to align the bolts into the respective holes.



Start with tting the leg to the seat by aligning Screw (H1) with Spring washer (H3) & Flat washer Big (H4).  
Tighten it using Allen key (H8).

### STEP 5

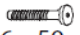

H1 x 3	 M6 x 35mm
H3 x 3	
H4 x 3	

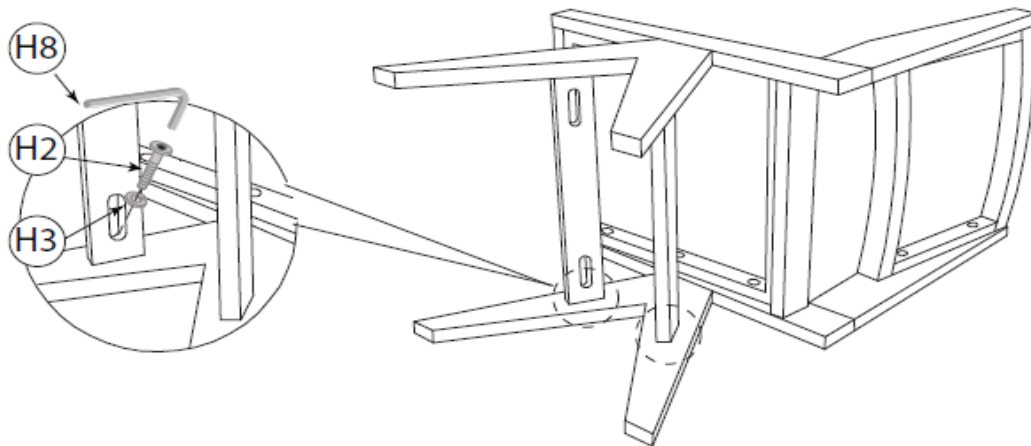


## STEP 6

### FITTING TO THE STRETCHERS

Align Bolt (H2) with Spring Washer (H3) & tighten it using Allen key (H8).





H2 x 2	 M6 x 50mm
H3 x 2	

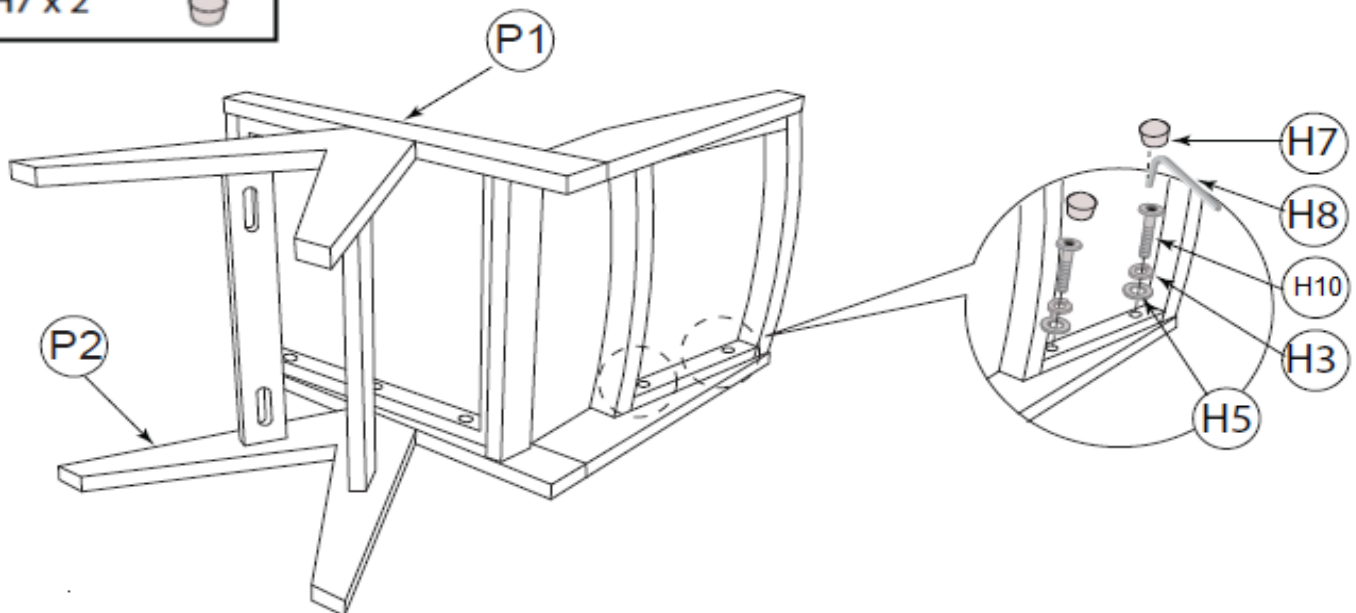


## STEP 7

### FITTING TO THE BACKREST

Align Bolt (H10) together with the Spring washer (H3) & the Flat washer Small (H5). Tighten it using Allen key (H8). Tap the Wood button (H7) to cover the holes

H10 x 2	 M6 x 30mm
H3 x 2	
H5 x 2	
H7 x 2	

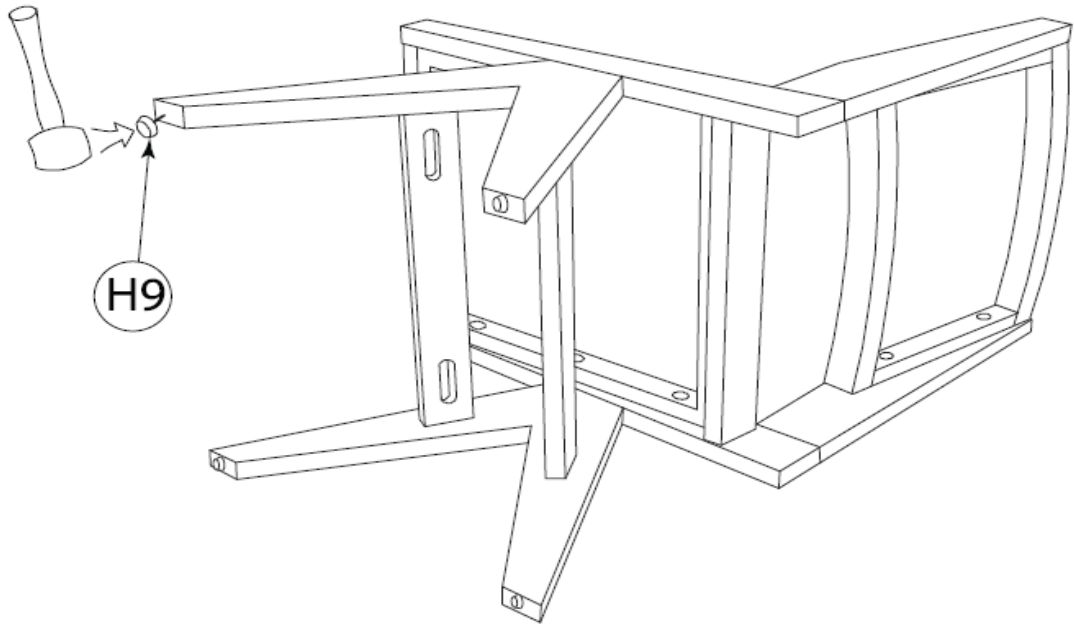


**PLEASE MAKE SURE ALL THE BOLTS ARE FULLY TIGHTEN BEFORE USING THE CHAIR**

## STEP 8

Before putting the chair upright, tap the nail leg (H9) into the under edge of all the legs .

H9 x 4



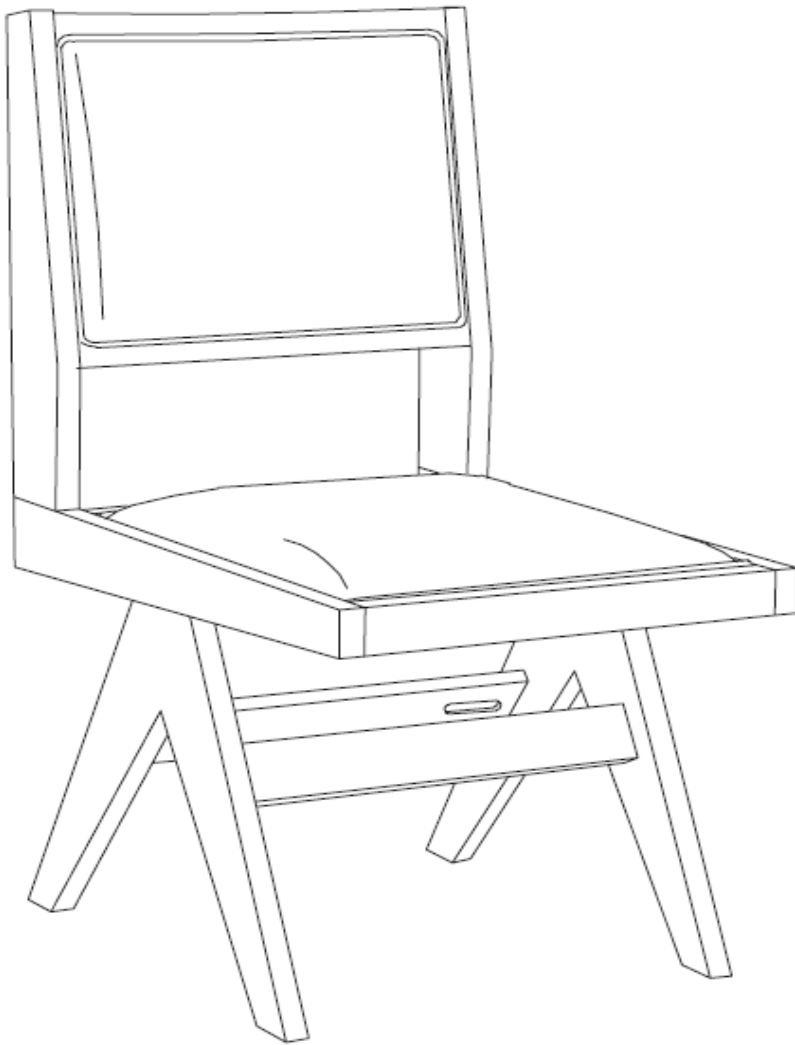
**PLEASE MAKE SURE ALL THE BOLTS ARE FULLY TIGHTEN BEFORE USING THE CHAIR**

### CARE AND MAINTENANCE

**SAFETY** - To avoid any risk of suffocation to children or animals, dispose off the plastic bags immediately.

**CLEANING** - Clean with damp cloth and mild detergent. Do not use bleach or abrasive products.

**FITTINGS** - Tighten bolts and nuts from time to time to ensure all parts of product are securely fitted.



## ASSEMBLY COMPLETED



Please ensure the furniture rests on an even and flat surface. If the product wobbles or feels loose, double-check all bolts and/or screws are properly tightened and secured.



### Keep this handy!

Please retain this instruction manual and any order-related information for future reference.



### Lift, don't drag!

To avoid damage to product please always LIFT the product when transporting or adjusting the placement.

**This product is intended for RESIDENTIAL USE ONLY and not for commercial use .**

### CARE AND MAINTENANCE

**SAFETY** - To avoid any risk of suffocation to children or animals, dispose off the plastic bags immediately.

**CLEANING** - Clean with damp cloth and mild detergent. Do not use bleach or abrasive products.

**FITTINGS** - Tighten bolts and nuts from time to time to ensure all parts of product are securely fitted.