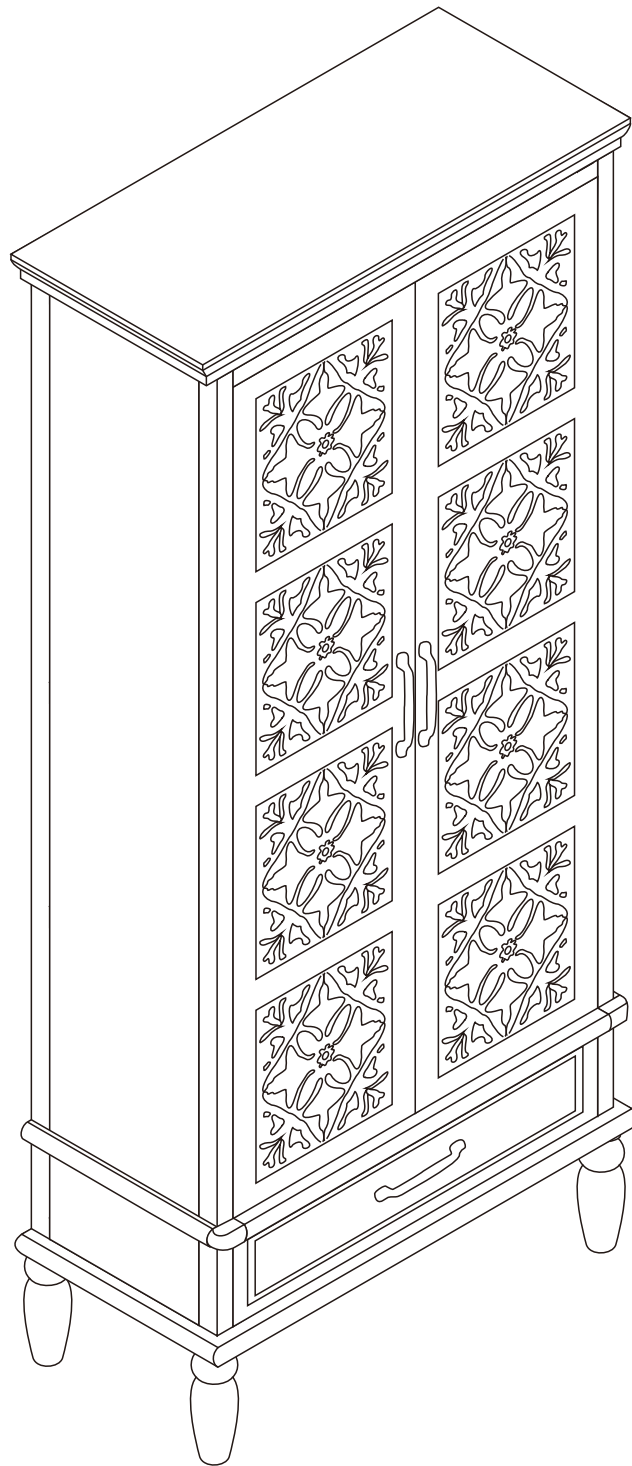


# Instruction Manual



# Instruction Manual


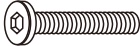


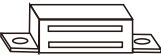

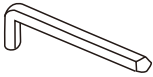
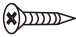

Please save this manual for future reference.

Thank you for purchasing this product. This product has been manufactured with the highest standards of safety and quality.

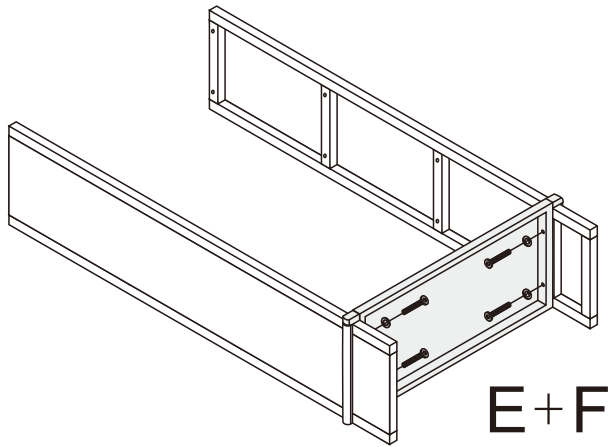
Product Name:	Carved Accent Cabinet With 2 Doors 1 Drawer
SKU #:	W2295P246674-H0105

## hardwares contents:

### CONTENTS

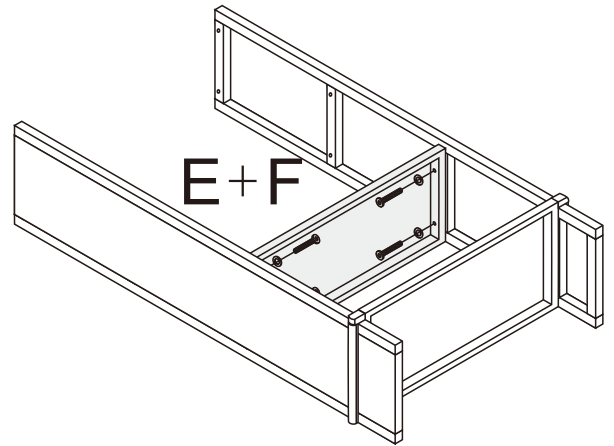
ID	DESCRIPTION	QTY	ID	DESCRIPTION	QTY
A	 Door Handle	3	B	 4*28 Screws	2
C	 8*55 Screws	4	D	 3*20 Screws	8
E	 8*35 Screws	16	F	 Washer	20
G	 3.5*20 Screws	23	H	 Cabinet feet	2
I	 Screws 4*25	4	J	 Cabinet feet	4
K	 Allen Wrench	1	L	 3*12 Screws	4
M	 Allen Wrench	1			

### Step 1



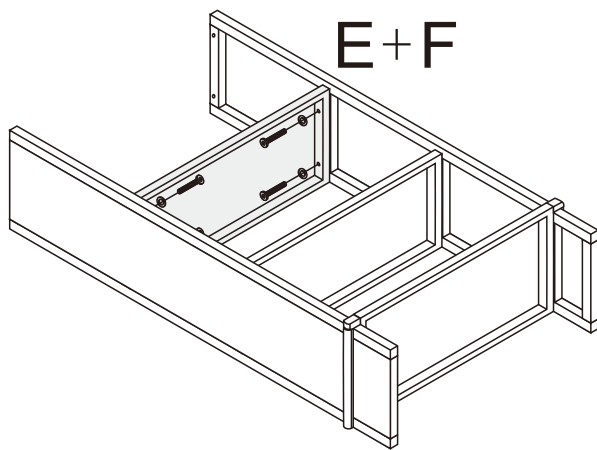
Install the bottom shelf

### Step 2



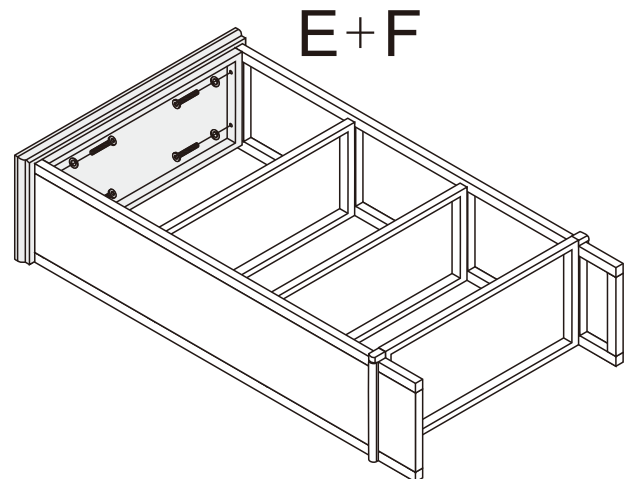
Install the second shelf

### Step 3



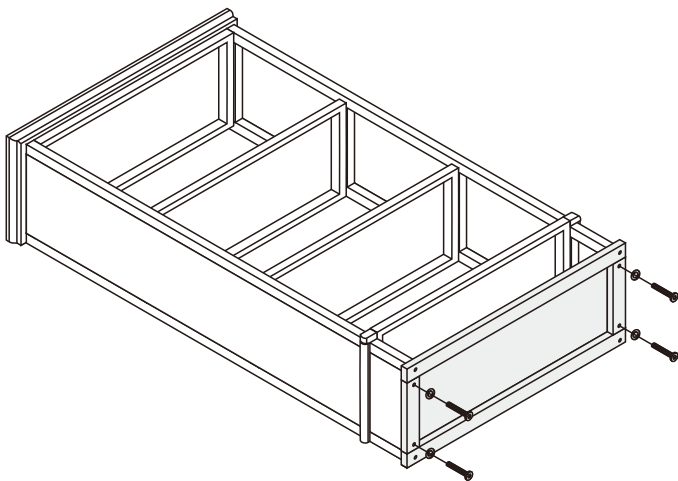
Install the third shelf

### Step 4



Install the top

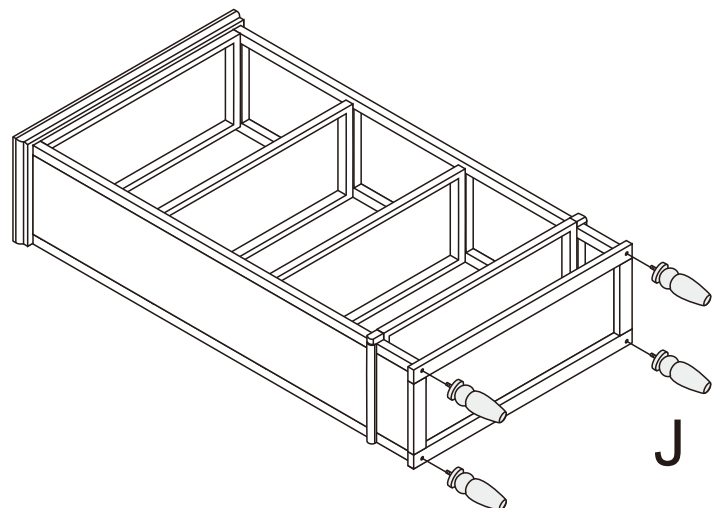
### Step 5



Install the bottom of  
the drawer

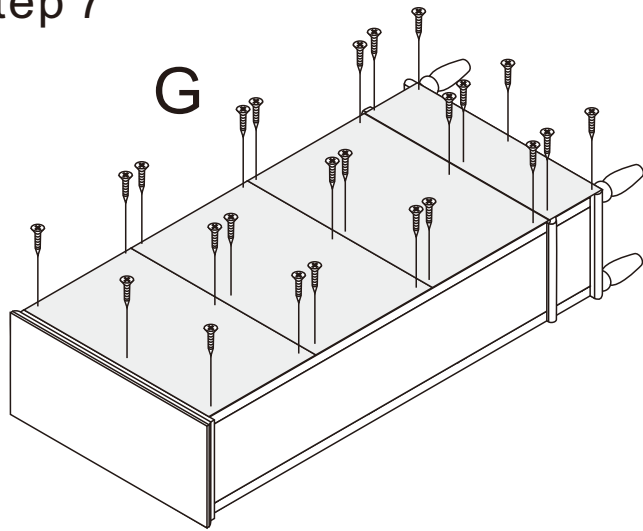
**C+F**

### Step 6



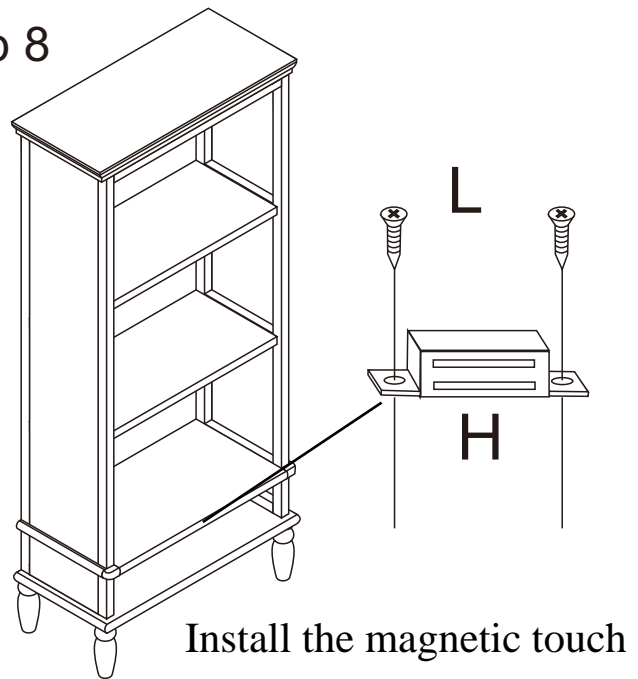
Screw in the cabinet feet **J**

### Step 7



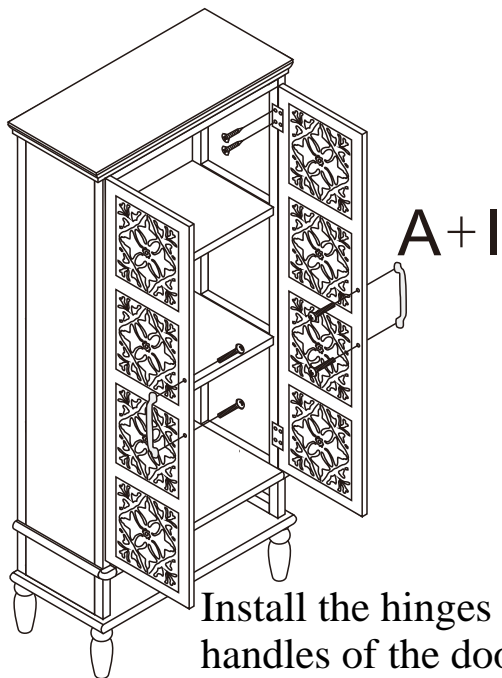
Screw in the back panel

### Step 8



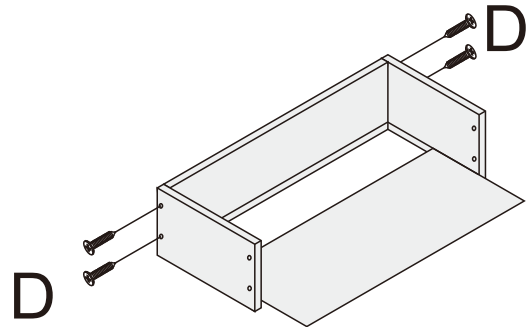
Install the magnetic touch

### Step 9



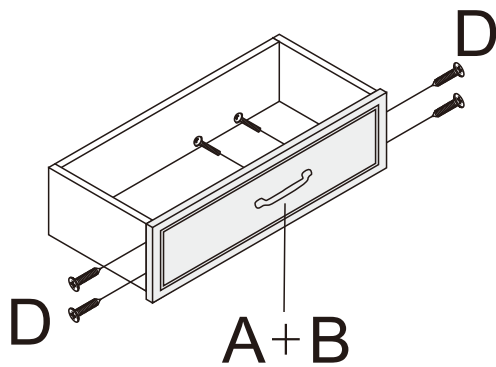
Install the hinges and handles of the doors

### Step 10



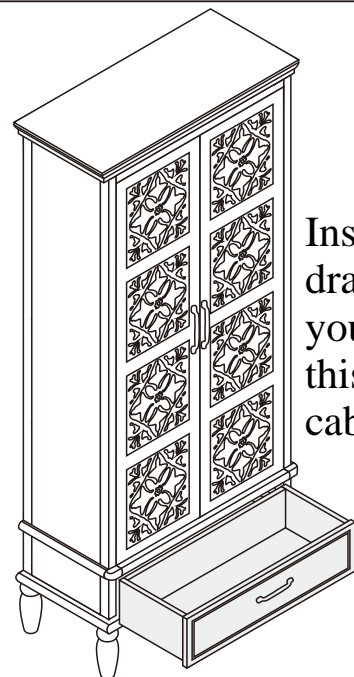
Install the side panel of the drawer

### Step 11



Install the front of the drawer

### Step 12



Insert the drawers and you can enjoy this wonderful cabinet now.

### Important:

Tighten each bolt nuts firmly. DO NOT over tighten any of the bolt nuts as this may strip the screws. DO NOT sit or stand on the cabinet as this may damage the product and cause serious bodily injury.