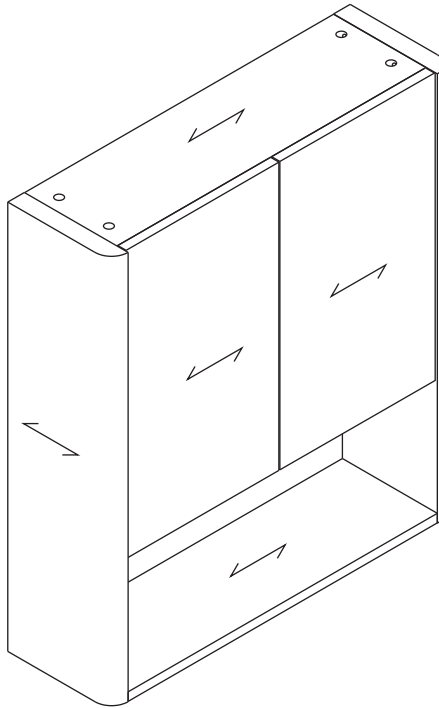
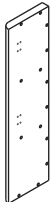
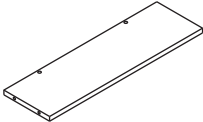

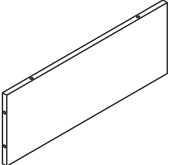
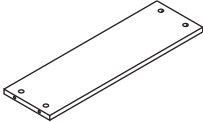
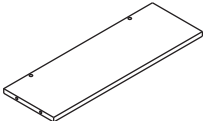
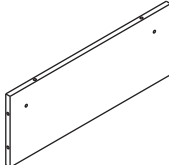
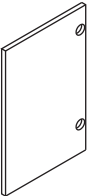
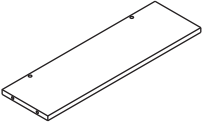

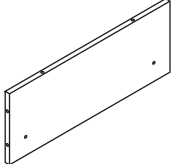


# ASSEMBLY INSTRUCTIONS




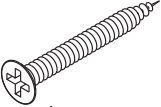
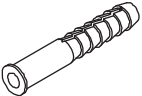


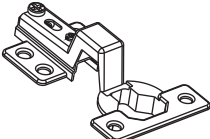


Bathroom Vanity

# ASSEMBLY INSTRUCTIONS

1		x1	7		x1
2		x1	8		x1
3		x1	9		x1
4		x1	10		x1
5		x1	11		x1
6		x1			

# ASSEMBLY INSTRUCTIONS

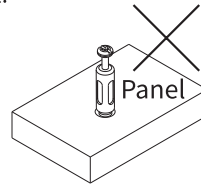
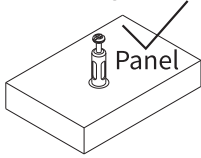
A	 Ø6x26mm	x40			
B	 Ø15x9mm	x40			
C	 Ø3.5x14mm	x24			
D	 Ø3.5x50mm	x4			
E		x4			
F		x4			
G		x4			
H		x4			

# ASSEMBLY INSTRUCTIONS

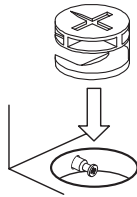
## Use the Cam Lock and Eccentric Wheel

### ECCENTRIC WHEEL

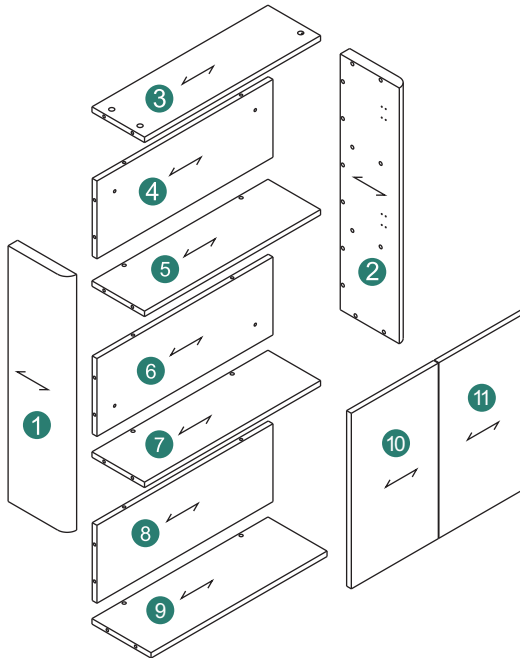
Tighten the bolt until the shoulder is aligned with the panel.  
Be sure not to tighten too much or too little.



The pre-inserted nut should align with the center of the cam lock when joining two panels. The cam lock should be inserted before the eccentric wheel.



Turn the cam lock clockwise to tighten.

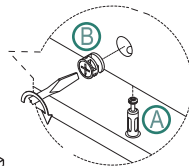
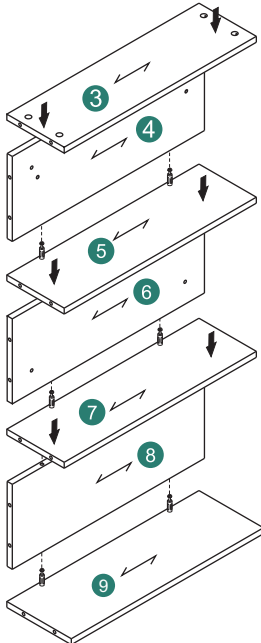
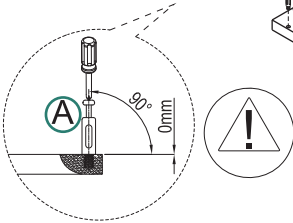
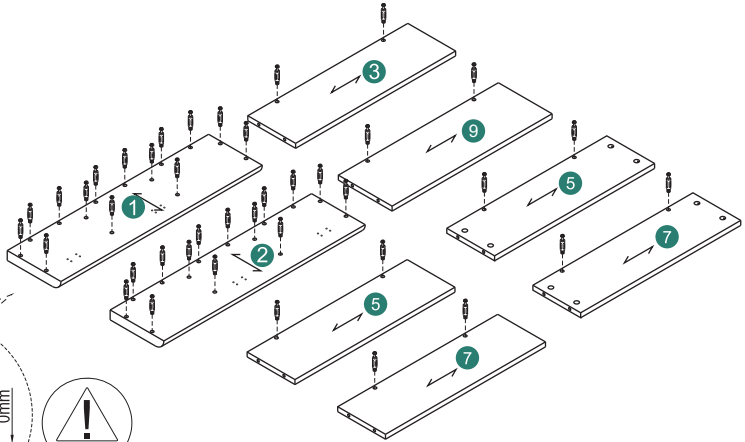


**WARNING:** To prevent tipping over, this product must be used with the included wall mounting device.  
**WARNING:** Evaluate the suitability of the wall to ensure that the fixtures can withstand the forces that occur.

# ASSEMBLY INSTRUCTIONS

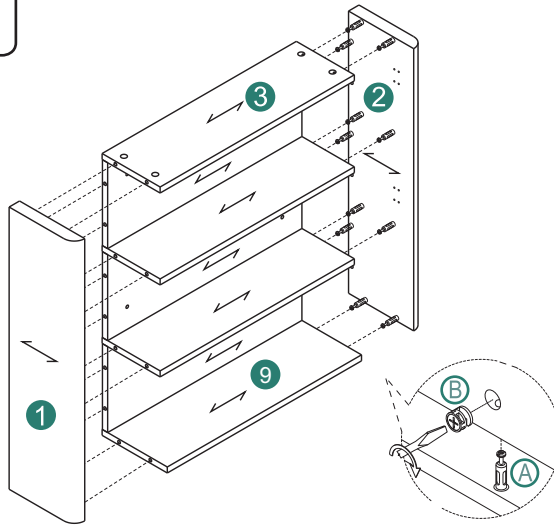


The floor needs to be covered with paper or carpet protective material before installation!

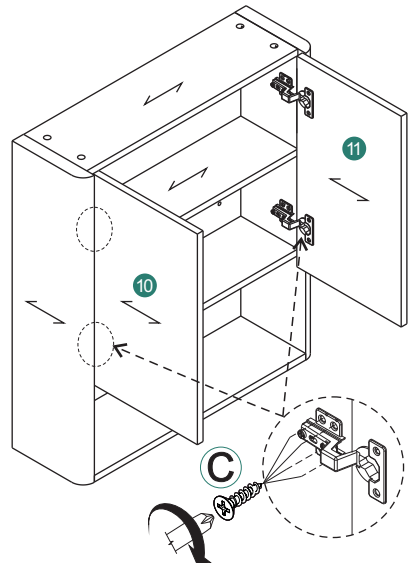
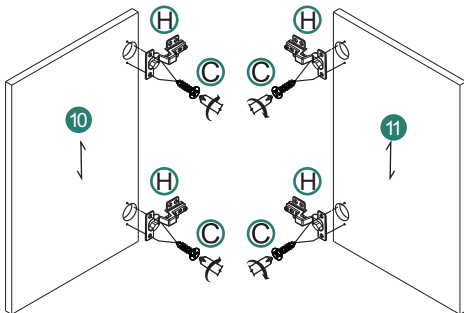


# ASSEMBLY INSTRUCTIONS

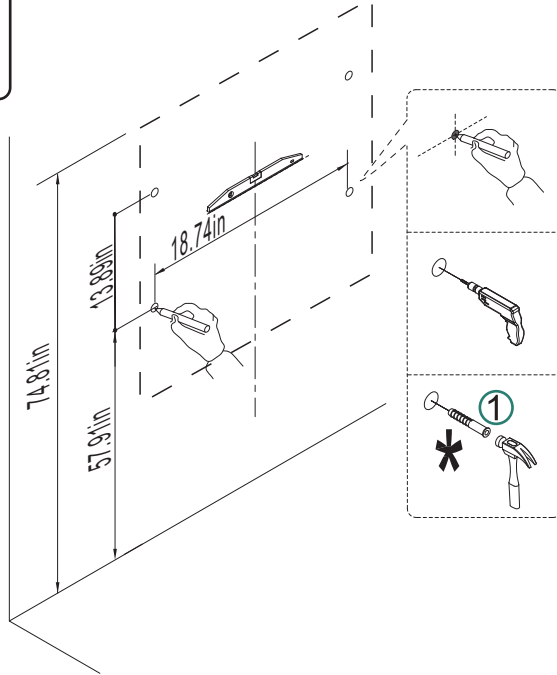
3



4



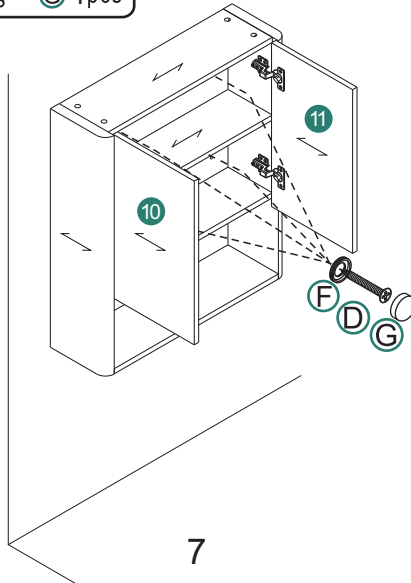
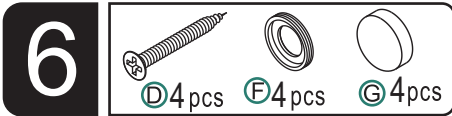
# ASSEMBLY INSTRUCTIONS



**WARNING:** To prevent falling down this product must be used with the wall attachment device provided.

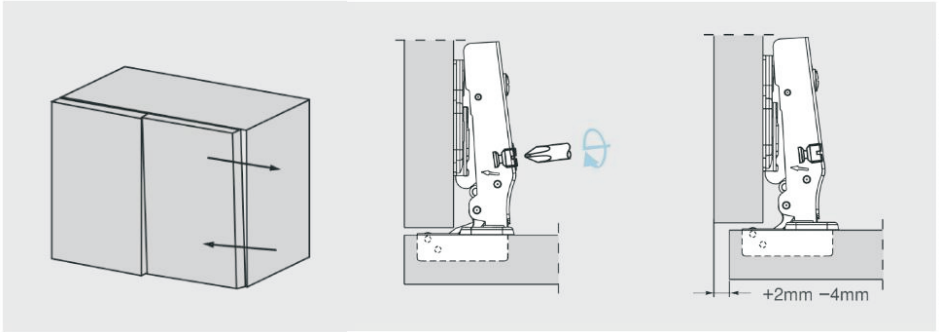
**WARNING:** Assess the suitability of the wall to ensure that the fastening devices will withstand the forces generated

Always identify the wall type first and hire professional installers using fasteners specifically designed for that wall type.



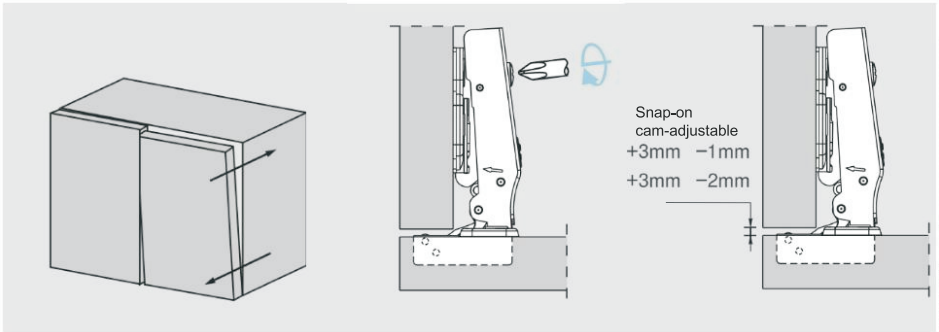
## side adjustment

Side adjustment of the door is made by using the indicated screw.



## Depth Adjustment

Depth adjustment is made without loosening any screw. The door can be moved in or out by rotating the cam adjuster on the hinge arm.



## Height Adjustment

By loosening the two fixing screws to allow the mounting plate to slide up or down, the door can be adjusted vertically by  $\pm 2\text{mm}$ . After retightening the screws, the Depth adjustment is done.

