

# ASSEMBLY INSTRUCTIONS

PLEASE KEEP THIS FOR FUTURE REFERENCE

## CABINET

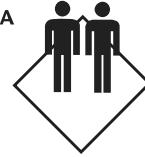
1.0 hr

APPROXIMATE ASSEMBLY TIME

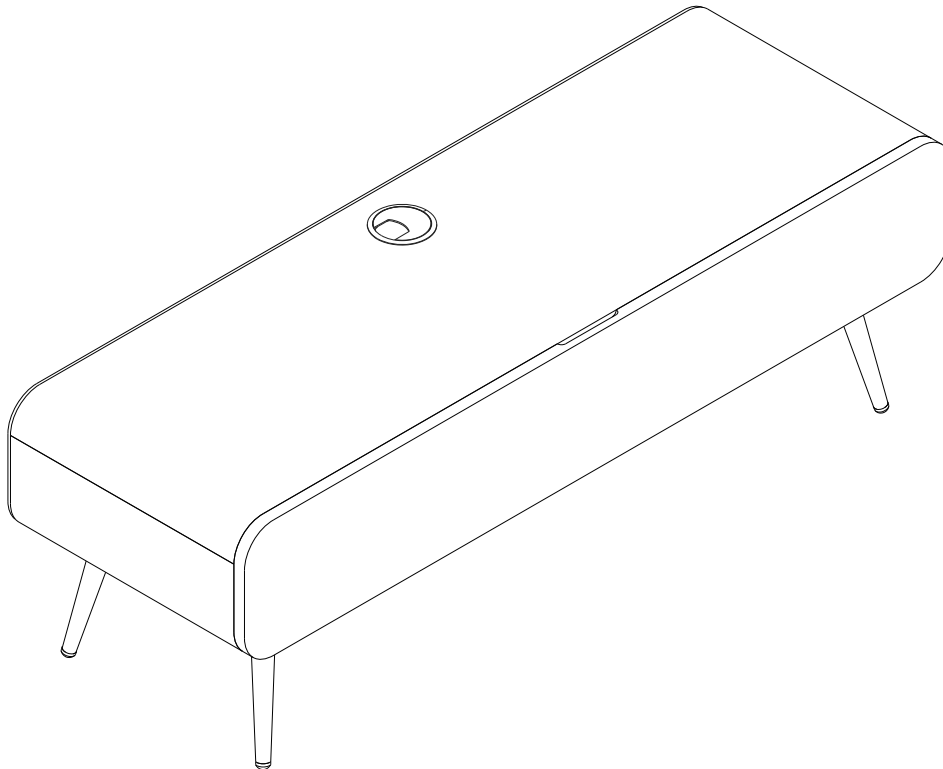
1 PERSON ASSEMBLY



FLOOR AREA  
2.0M X2.0M



REQUIRED ASSEMBLY SPACE



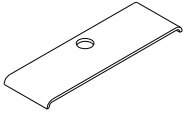
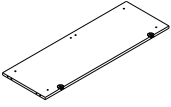
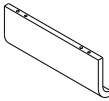
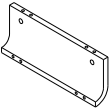
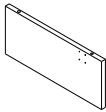
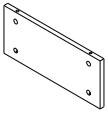

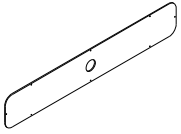
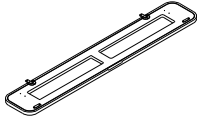
## **Top Tips before you start!**

1. Please check that all parts are present before you start the assembly of your furniture.
2. For ease and speed of assembly, we recommend that before you commence each step of the assembly, that you identify all the parts required for that step.
3. For larger items, please ensure that you have sufficient space and people ( as indicated on page 1) to assemble your product safely
4. We recommend that, where possible, all items are assembled near to the area in which they will be placed in use, to avoid moving the product unnecessarily once assembled.
5. For the protection of your furniture, particularly items of high gloss finish, we recommend that the product is placed on a protected surface during assembly to prevent any damage.
6. During assembly please take care not to over-tighten any fittings, as this may damage the product.
7. Do not use power tools to assemble this cabinet. The use of power tools can permanently damage fixings and invalidate the manufacturers warranty.

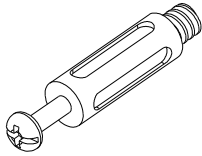
## **Care and Maintenance of your Furniture**

- Please periodically check all fittings and re-tighten as necessary.
- Please do not sit or stand on this item.
- Never allow any kind of liquid to remain on your furniture, Absorption can cause wood to warp or finishes to de-laminate
- Please do not drag and pull your furniture.
- If the glass is chipped or broken, stop using the product and consult the manufacturer or supplier.
- Please do not place very hot or very cold items on the glass surface, unless adequately thick table mats are used to prevent such items from coming into contact with the glass.
- Please do not use the glass as a chopping surface. Do not strike the glass with hard or pointed items.
- When cleaning glass panels use a damp cloth or leather with washing up liquid or soft soap if necessary, do not use washing powders or any other substances containing abrasives since these substances scratch glass.
- The glass used in this product is toughened and complies with BS EN 12150-1:2000, clauses 8.3 & 8.4

# PARTS LIST

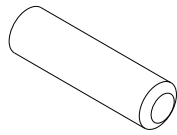
No.		PART LIST	QTY
(1)		TOP PANEL	1
(2)		BASE PANEL	1
(3)		LEFT SIDE PROFILE	1
(4)		RIGHT SIDE PROFILE	1
(5)		LEFT SIDE PANEL	1
(6)		RIGHT SIDE PANEL	1
(7)		LEG	4
(8)		REAR PANEL	1
(9)		DOOR PANEL	1

# HARDWARE LIST



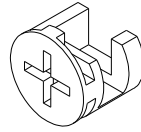
**16x  
A**

CAM PIN



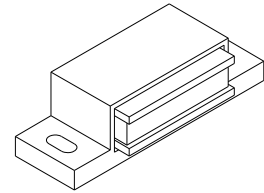
**8x  
B**

WOODEN DOWEL



**16x  
C**

CAM LOCK



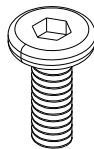
**2x  
D**

MAG CATCH



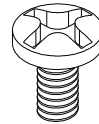
**12x  
E**

SCREW



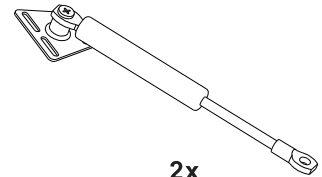
**16x  
F**

LEG BOLT



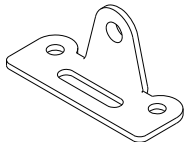
**2x  
G**

DOOR HINGE SCREW



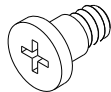
**2x  
H**

DOOR STAY



**2x  
I**

DOOR STAY  
DOOR PLATE



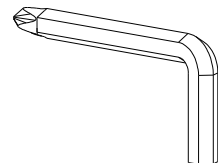
**2x  
J**

BOLT



**12x  
K**

DOOR STAY SCREW



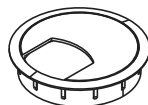
**1x  
L**

ALLEN KEY



**1x  
M**

ALLEN KEY



**1x  
N**

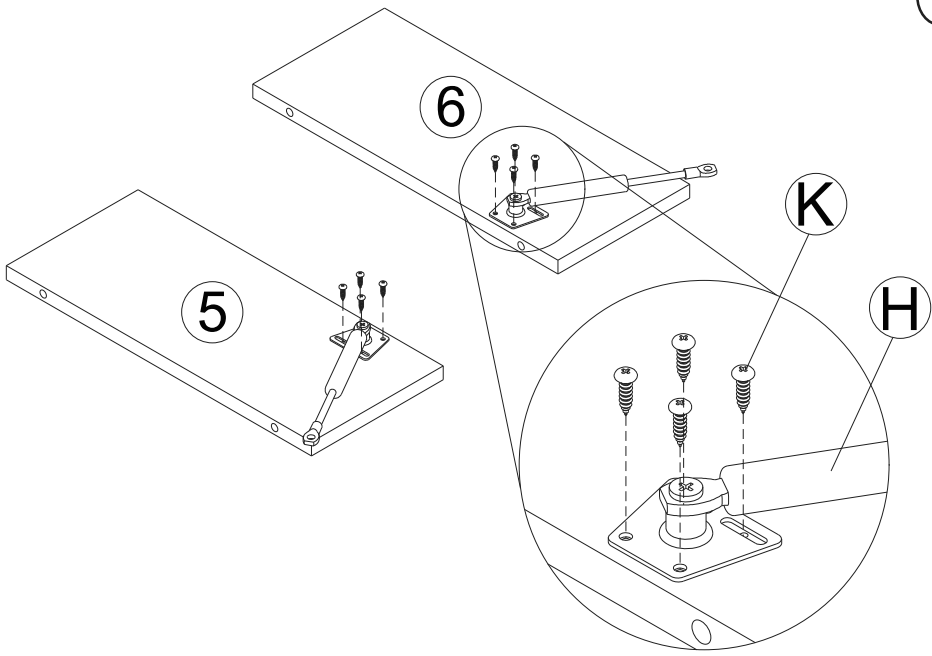
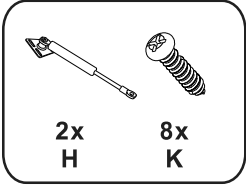
CABLE COVER



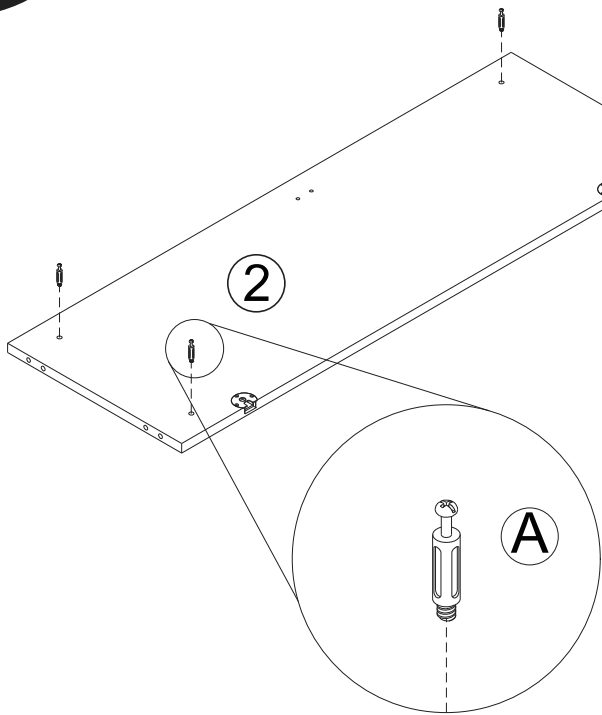
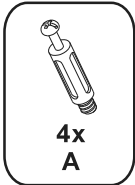
**12x  
O**

SCREW COVER CAP

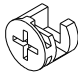

# STEP 1

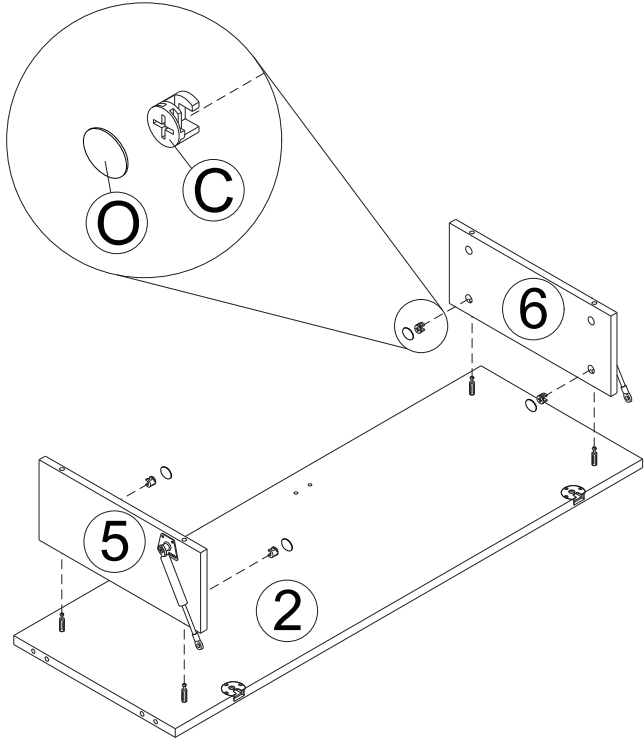


# STEP 2

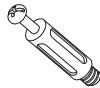
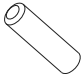


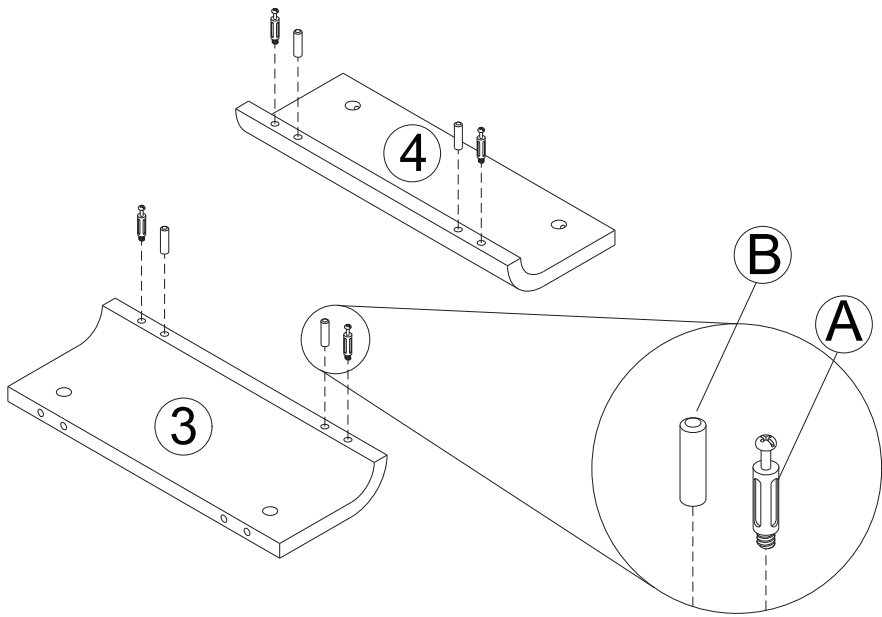
# STEP 3

	
4x C	4x O




# STEP 4

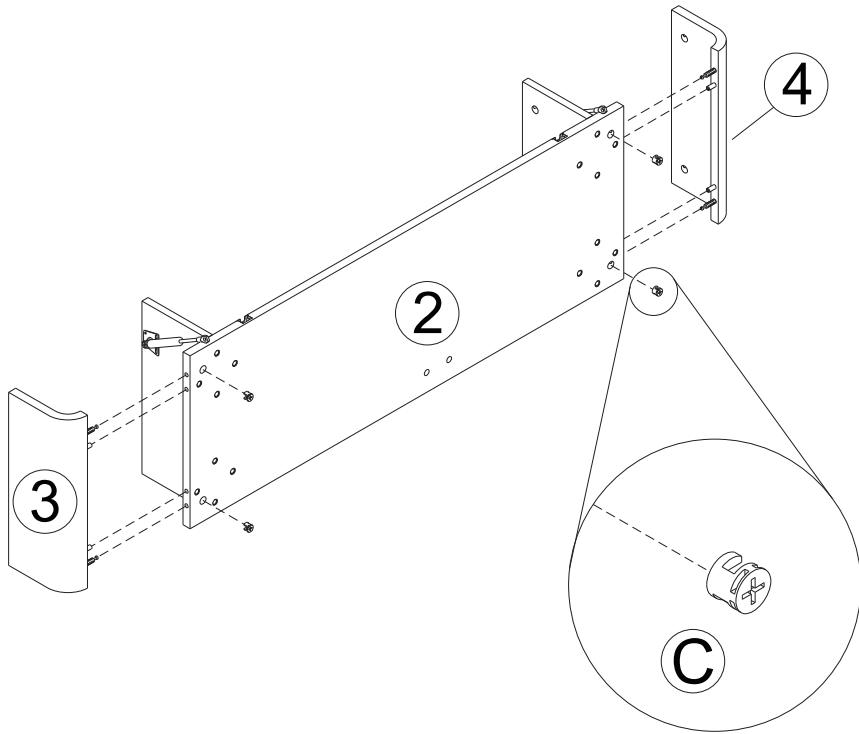
	
4x A	4x B




# STEP 5



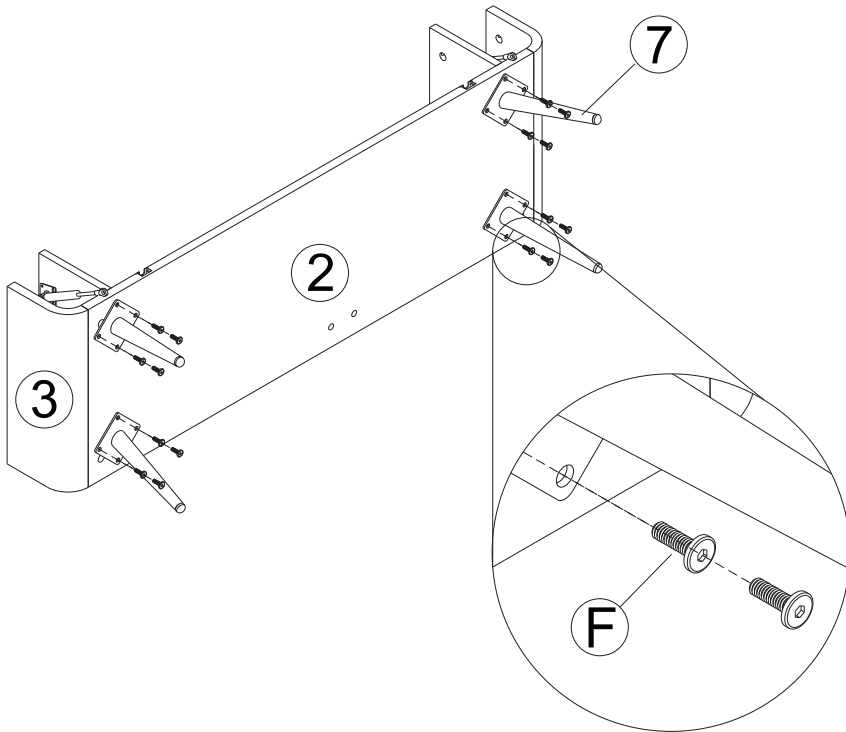
4x  
C





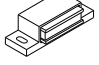

# STEP 6

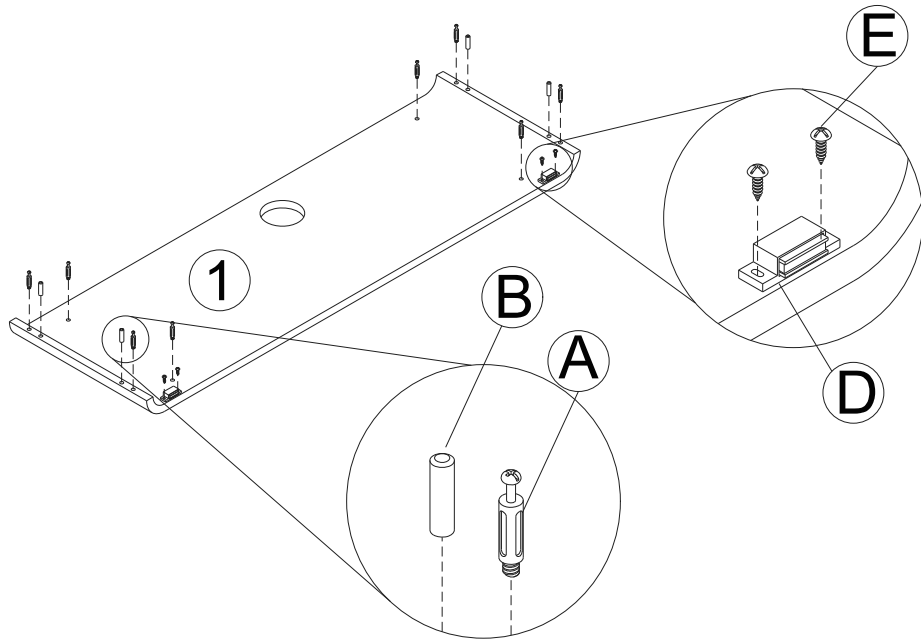


16x  
F

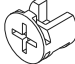



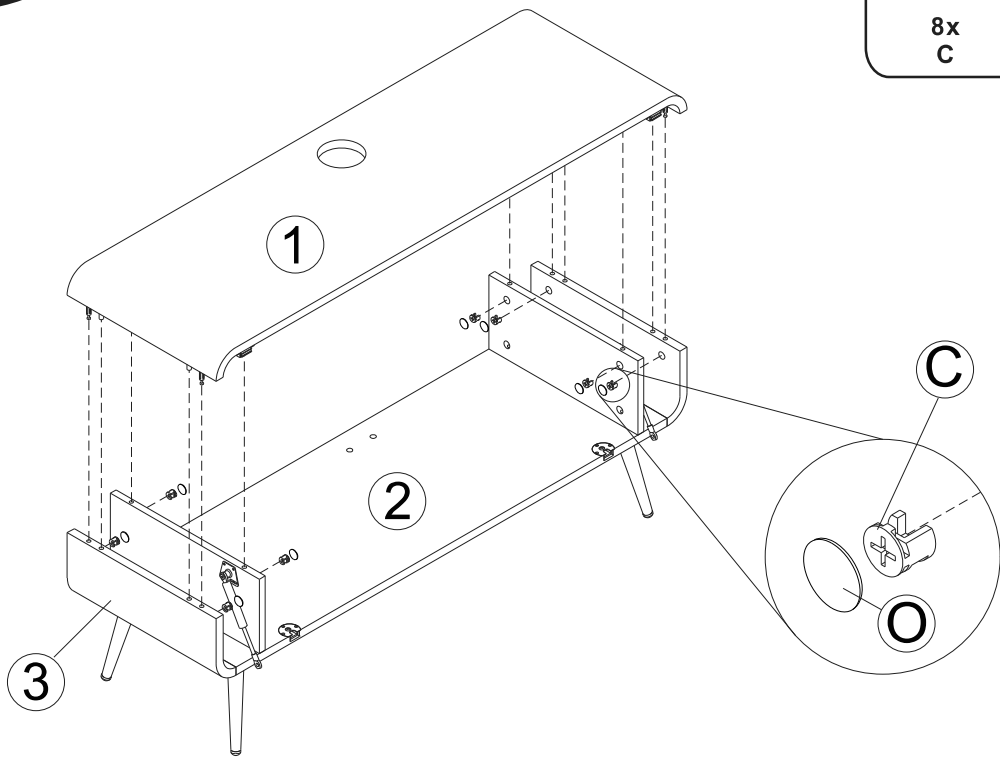
# STEP 7

	
8x A	4x B
	
2x D	4x E

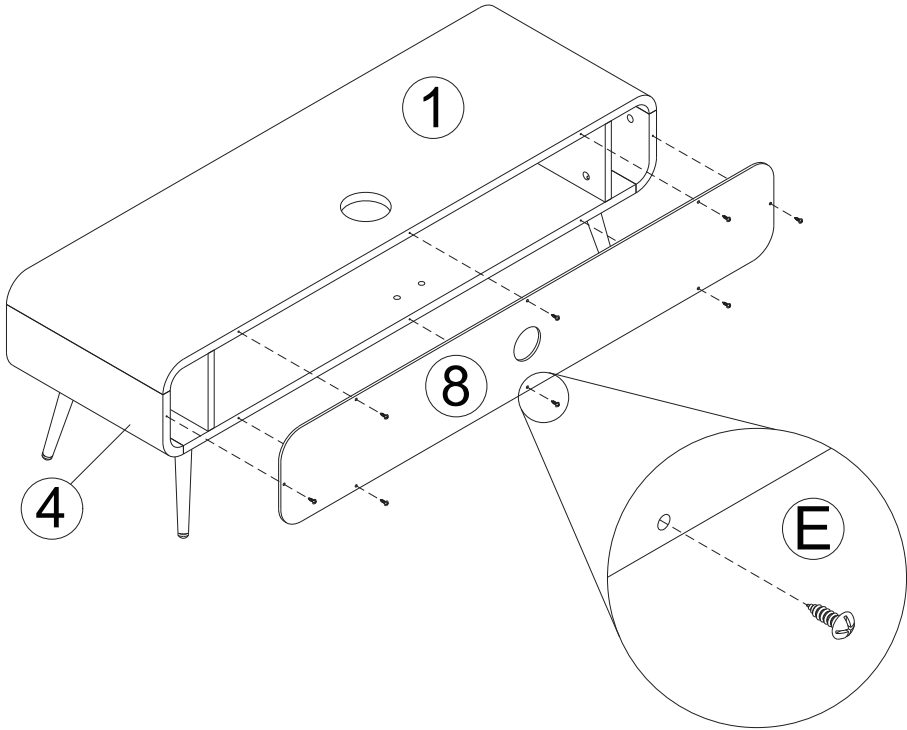
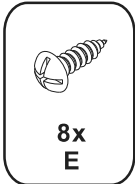


# STEP 8

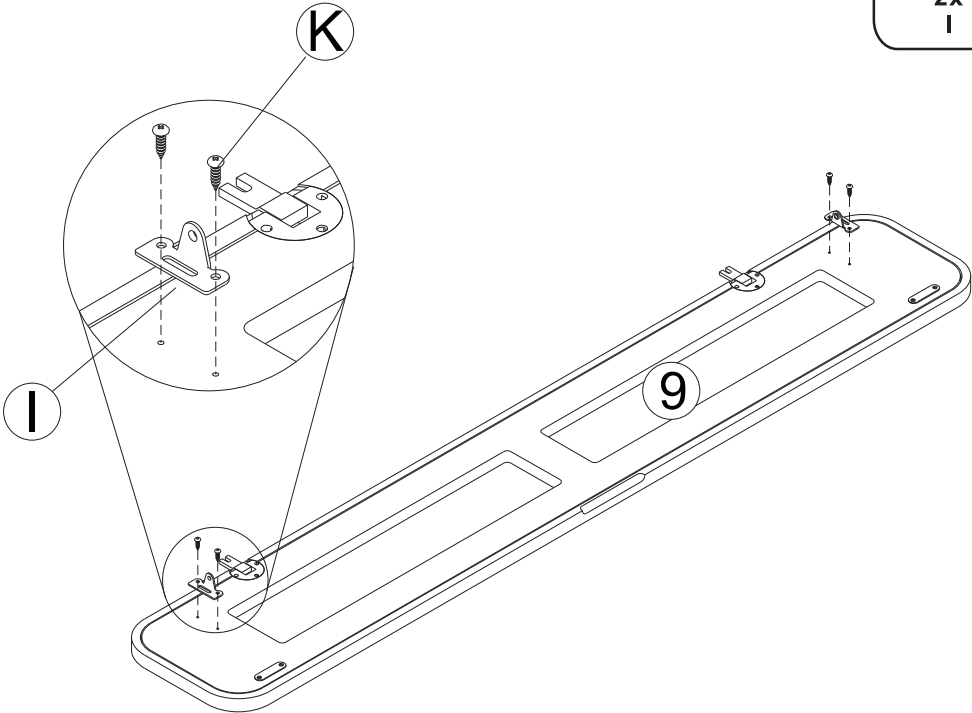
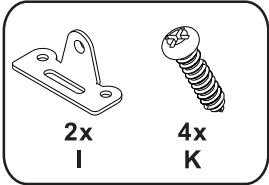
	
8x C	8x O



# STEP 9



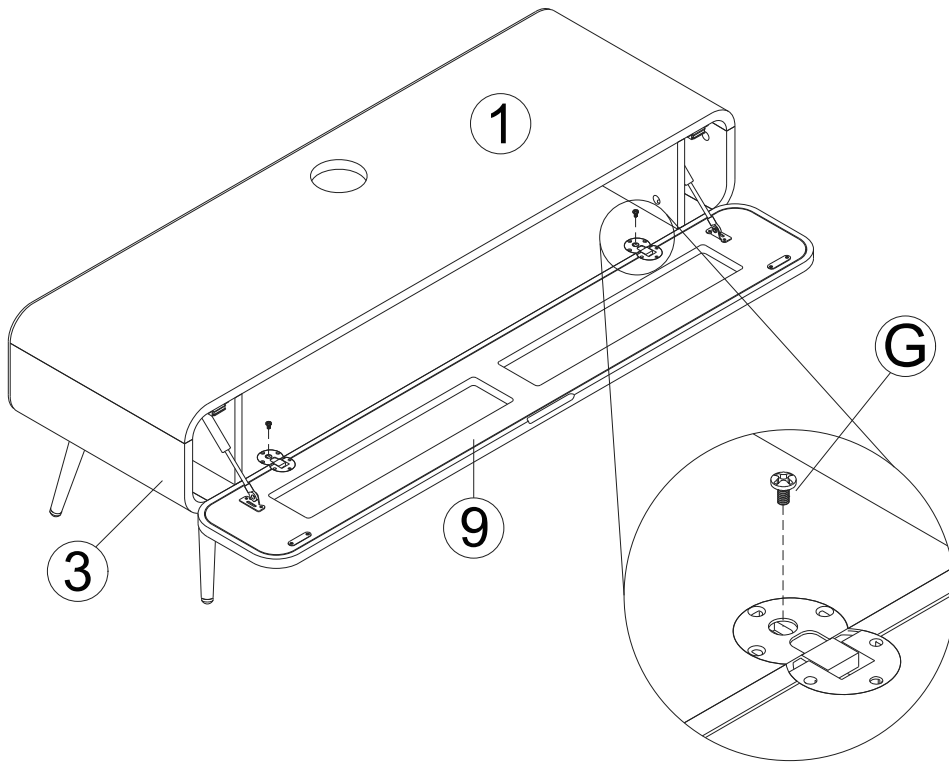
# STEP 10



# STEP 11



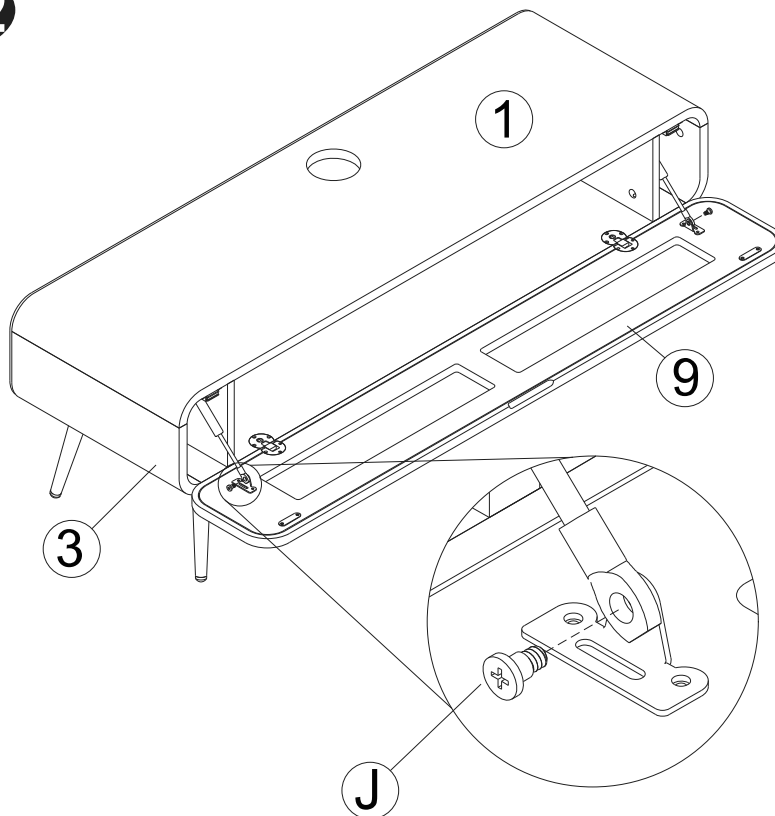
2x  
G



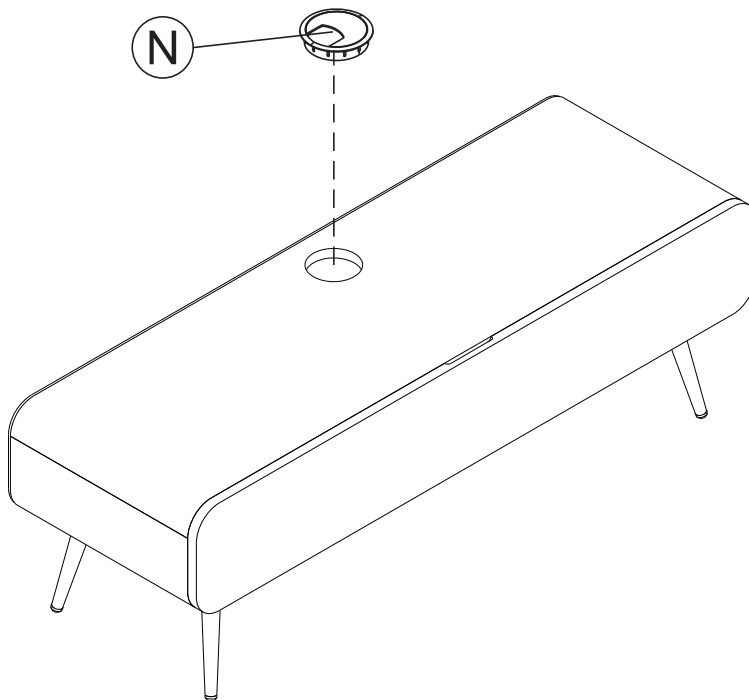
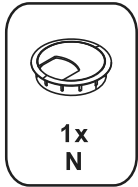
# STEP 12



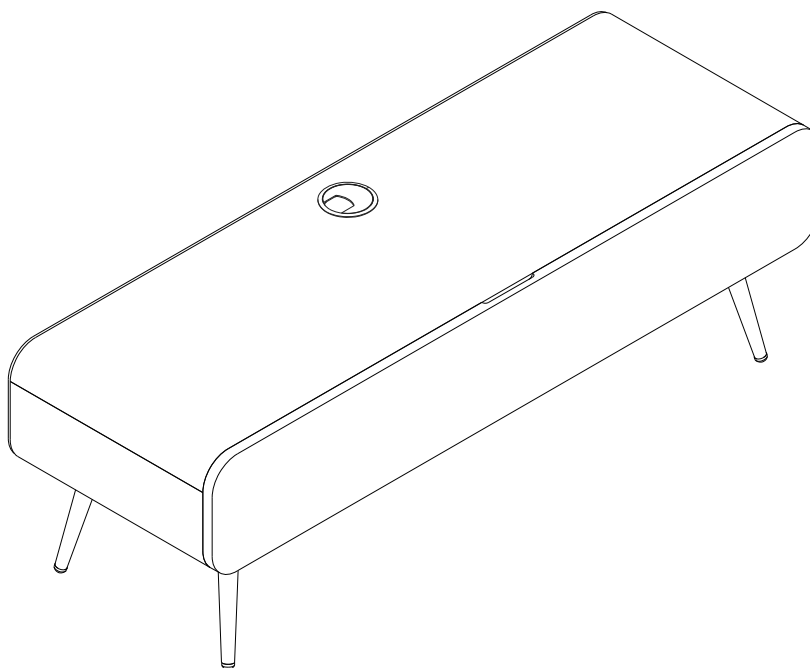
2x  
J



# STEP 13

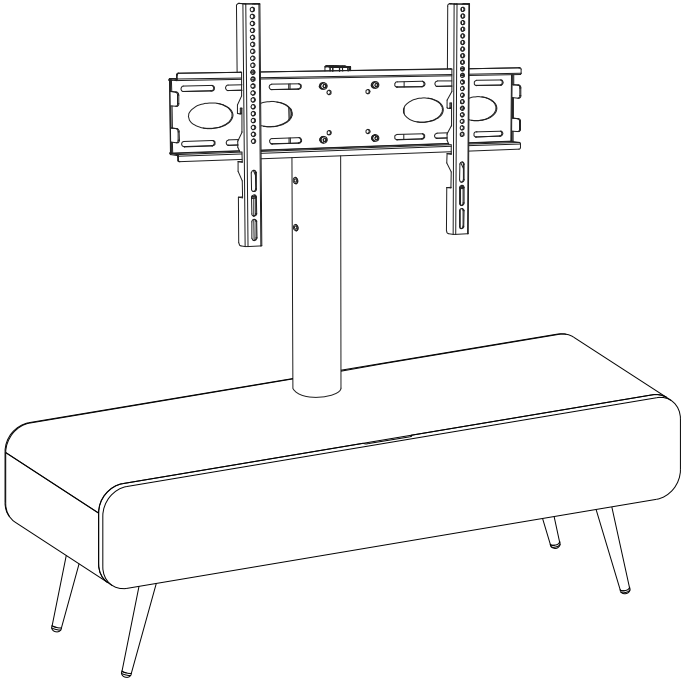
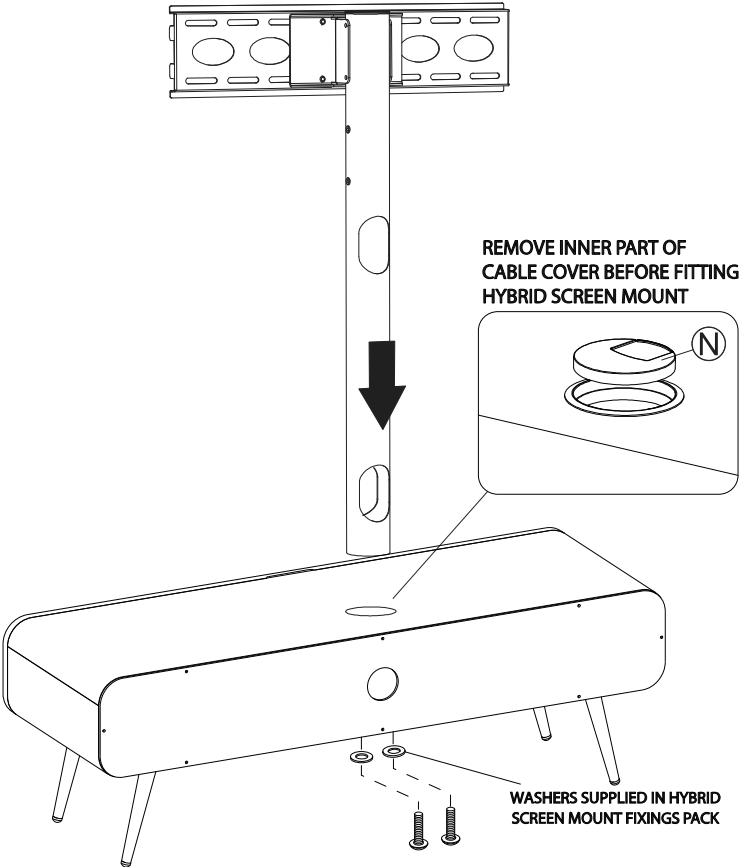


# STEP 14



# STEP 15

FITTING THE HYBRID 950 SCREEN MOUNTING SYSTEM (SOLD / SUPPLIED SEPERATELY)



**PLEASE REFER TO THE ASSEMBLY INSTRUCTIONS SUPPLIED WITH THE HYBRID MOUNTING SYSTEM FOR FURTHER DETAILS OF ASSEMBLY & TV SCREEN FITMENT.**