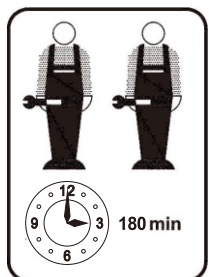
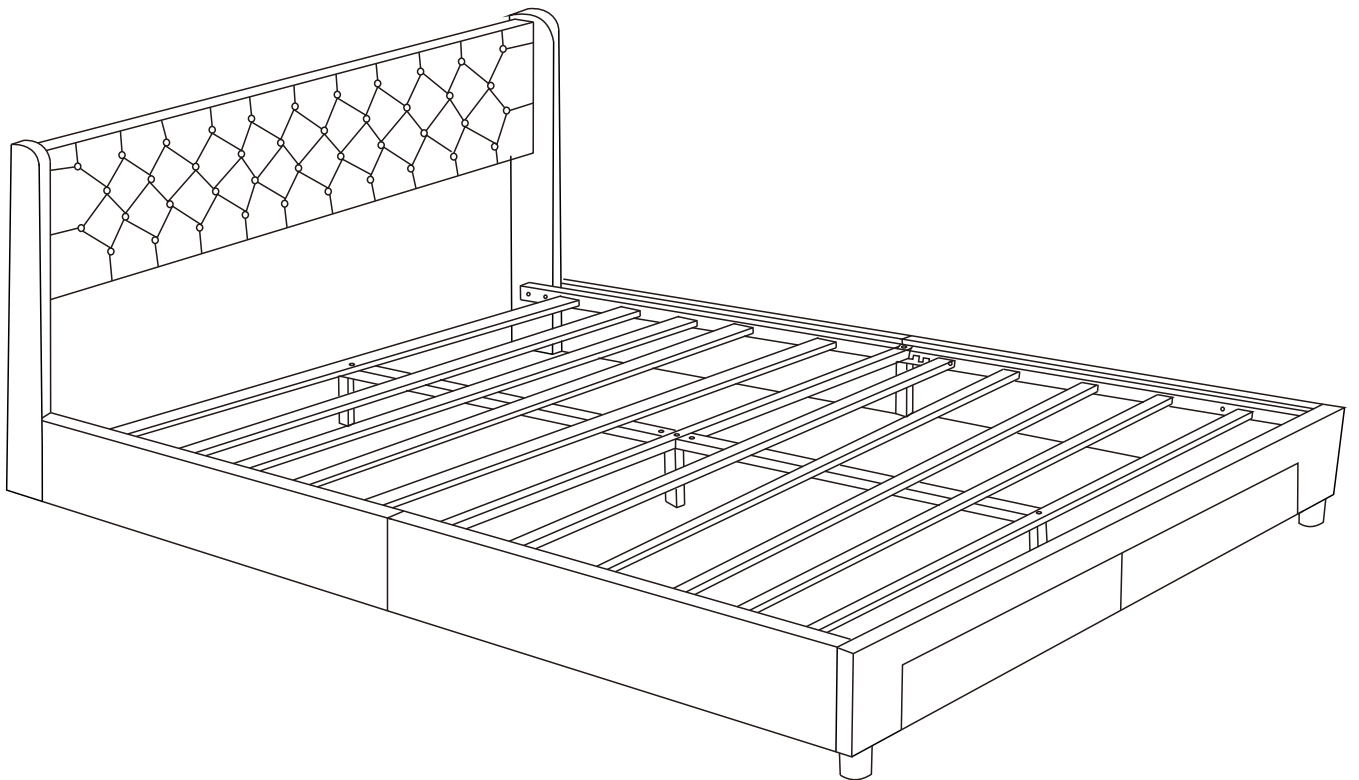


# ASSEMBLY INSTRUCTIONS

This set comes in 2 boxes. If you do not receive a full 2 boxes, please contact our customer service.

## BED 135\*190cm

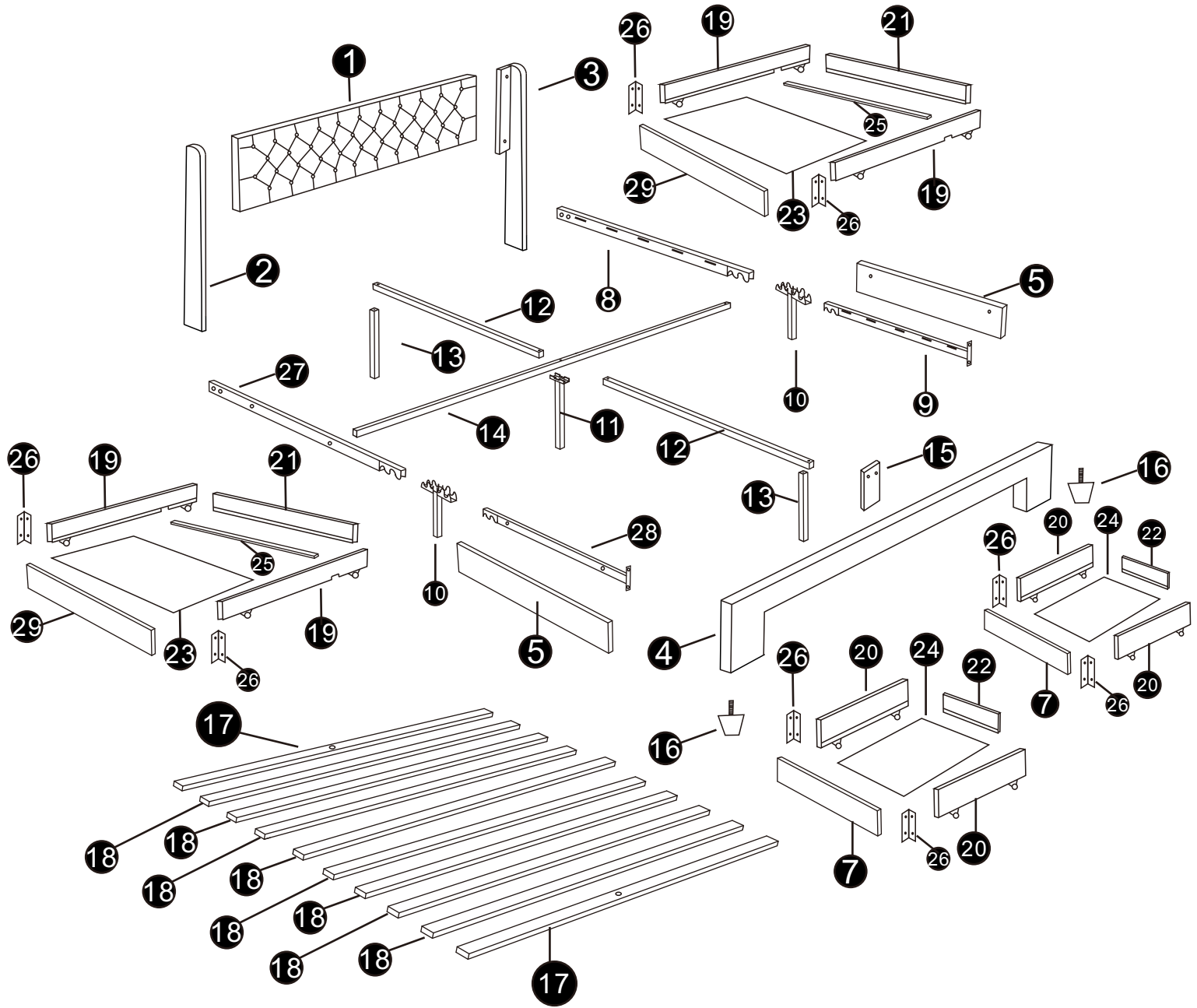


# INSTRUCTIONS

## IMPORTANT-READ CAREFULLY-RETAIN FOR FUTURE REFERENCE

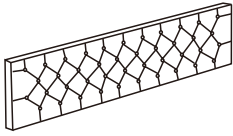
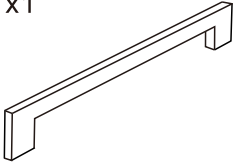
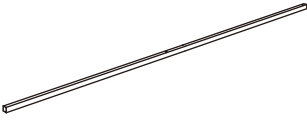
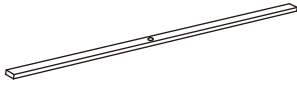


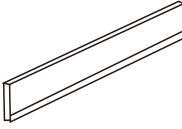
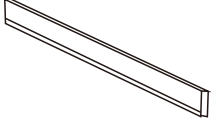

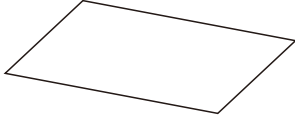
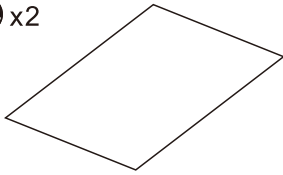

- a) WARNING** -Children can become trapped between the bed and the wall, the adjoining pieces of furniture (e.g. cupboards) and the Ikea. To avoid risk of serious injury the distance between the safety barrier and the adjoining structure shall not exceed 75 mm or shall be more than 230 mm.
- b) WARNING**-Do not use the bed if any structural part is broken or missing; Replacement parts are between requested from the manufacturer or the store.
- c) WARNING**-Do not climb or wiggle on any non-designated structures.
- d)** It is imperative to always follow the installation instructions and manufacturer's use.
- e)** The recommended size of the mattress to be used with the bed is **135x190cm**, maximum thickness mattress:**20cm**.
- f)** It is necessary to ventilate the room in order to maintain a low level moisture and prevent mold growth in the bed and its periphery.
- g)** Joining devices should always be tightened properly and regularly verified. Tighten if necessary.

# EXPLODED VIEW



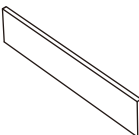
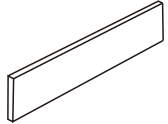
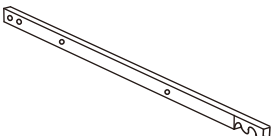
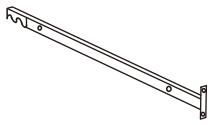
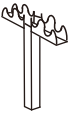

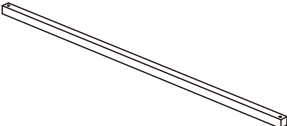


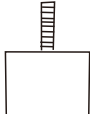

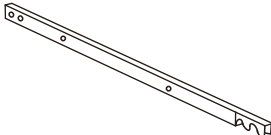
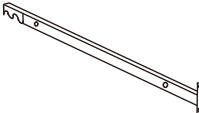
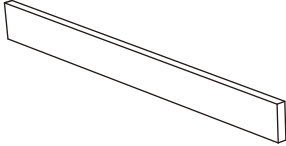


# PARTS LIST

## N604P186887G

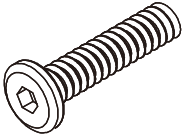

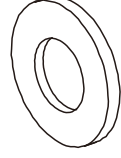
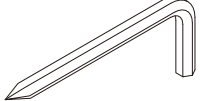

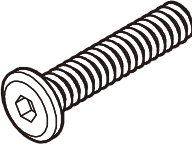
<b>1</b> x1 	<b>4</b> x1 	<b>14</b> x1 	<b>17</b> x2 
<b>18</b> x8 	<b>19</b> x4 	<b>20</b> x4 	<b>21</b> x2 
<b>22</b> x2 	<b>23</b> x2 	<b>24</b> x2 	<b>25</b> x2 

## N604P186888G

<b>2</b> x1 	<b>3</b> x1 	<b>5</b> x2 	<b>7</b> x2 
<b>8</b> x1 	<b>9</b> x1 	<b>10</b> x2 	<b>11</b> x1 
<b>12</b> x2 	<b>13</b> x2 	<b>15</b> x1 	<b>16</b> x2 
<b>26</b> x8 	<b>27</b> x1 	<b>28</b> x1 	<b>29</b> x2 

# PARTS LIST

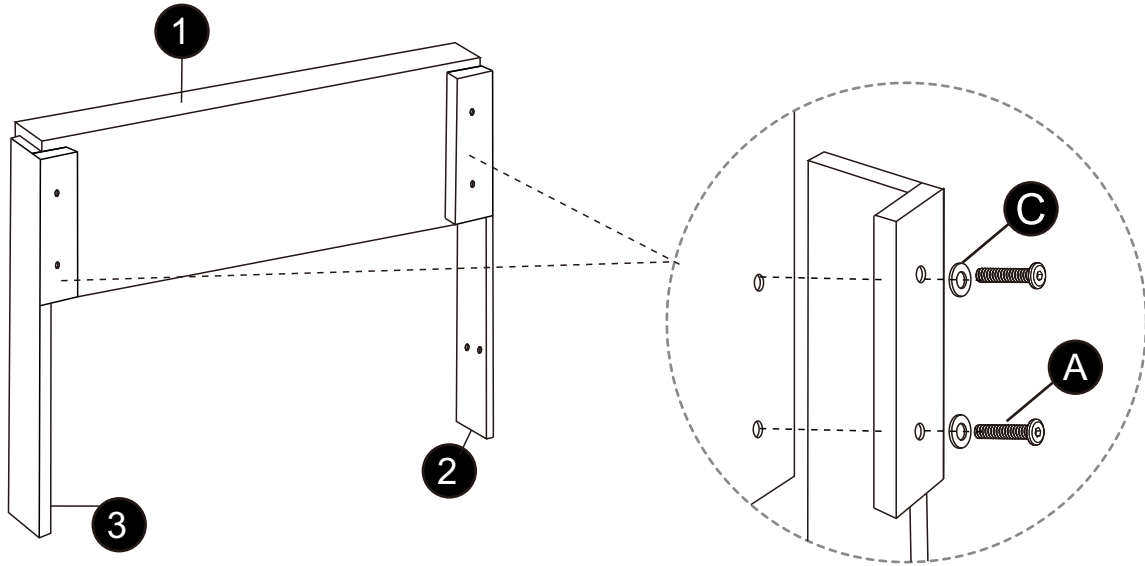
Hardware List N604P186888G



<p><b>A:x19</b></p>  <p>M6*30mm</p>	<p><b>B:x40</b></p>  <p>M6*20mm</p>	<p><b>C:x6</b></p> 	<p><b>D:x1</b></p> 
<p><b>E:x20</b></p>  <p>M4*25mm</p>	<p><b>G:x2</b></p>  <p>M6*50mm</p>		

# ASSEMBLY

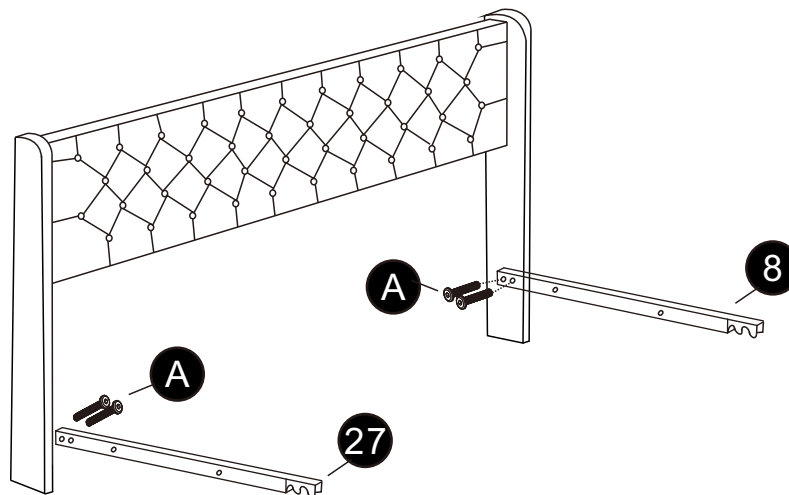
Note: Please do not tighten all bolts until the bed is assembled completely.

## Step 1



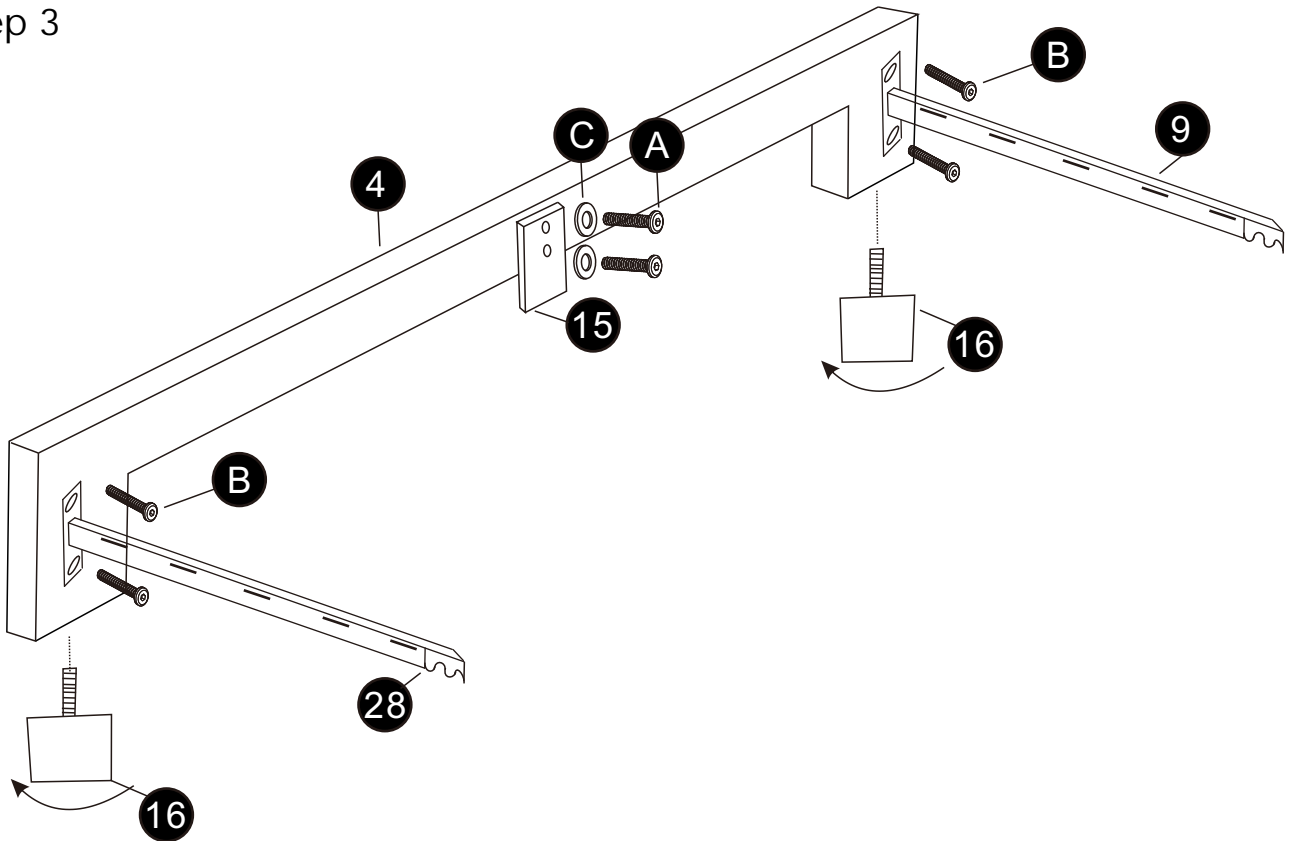
A		M6*30mm	4
C		M8	4




## Step 2



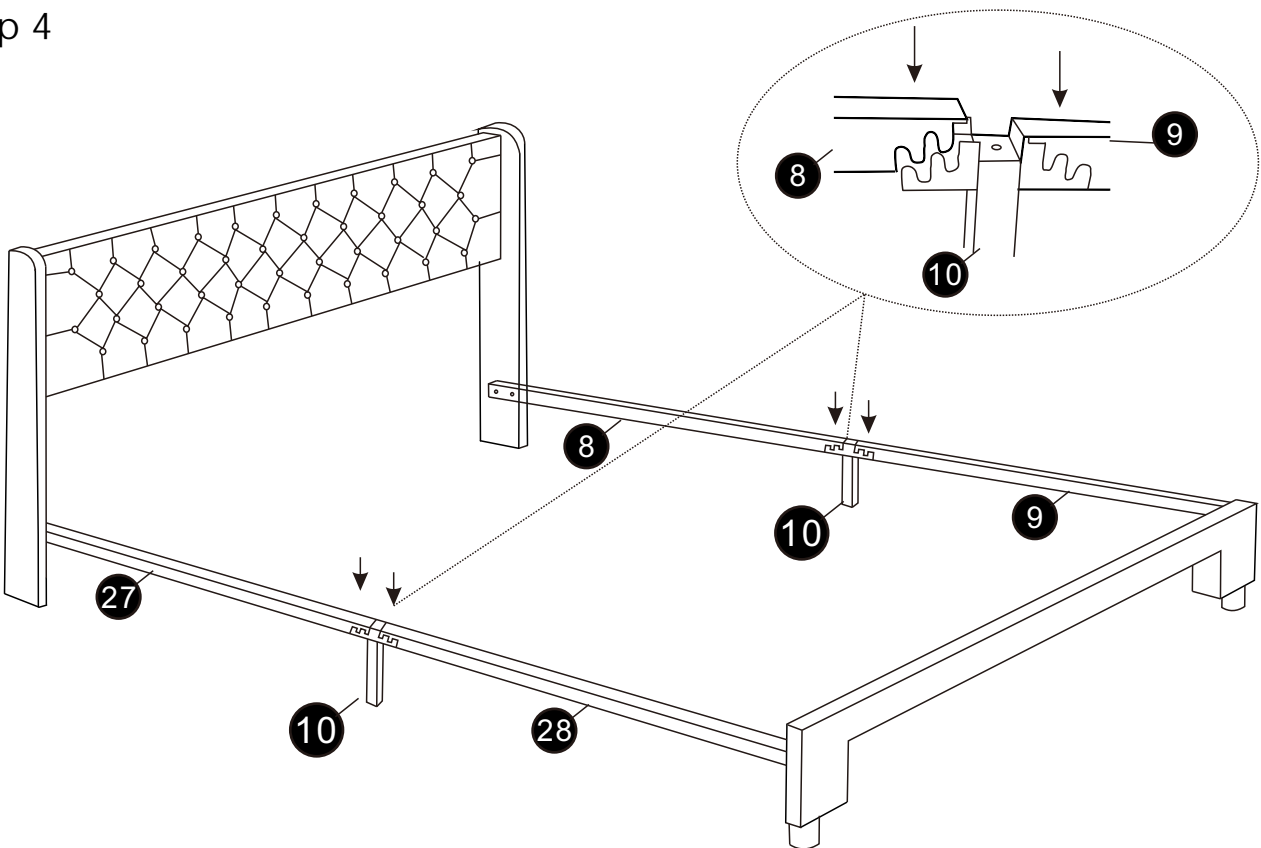
A		M6*30mm	4
---	---	---------	---

### Step 3

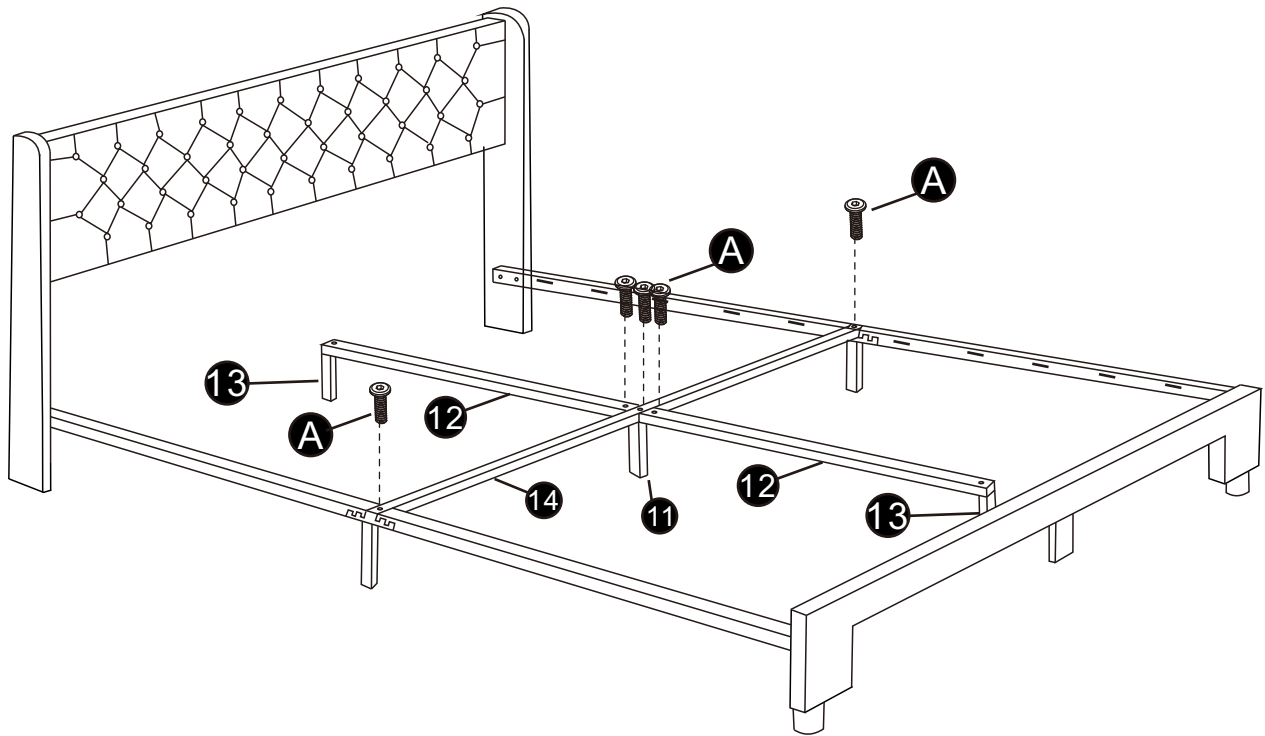


A		M6*30mm	2
B		M6*20mm	4
C		M8	2

### Step 4

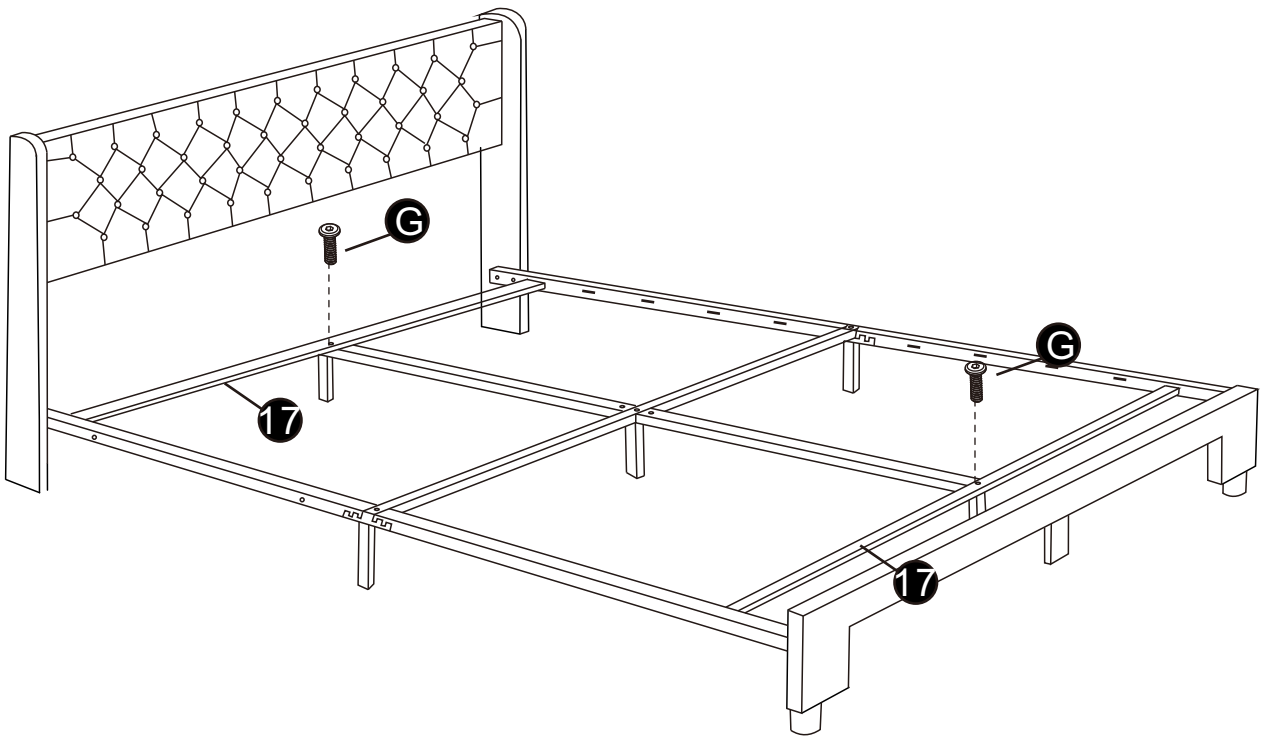


## Step 5



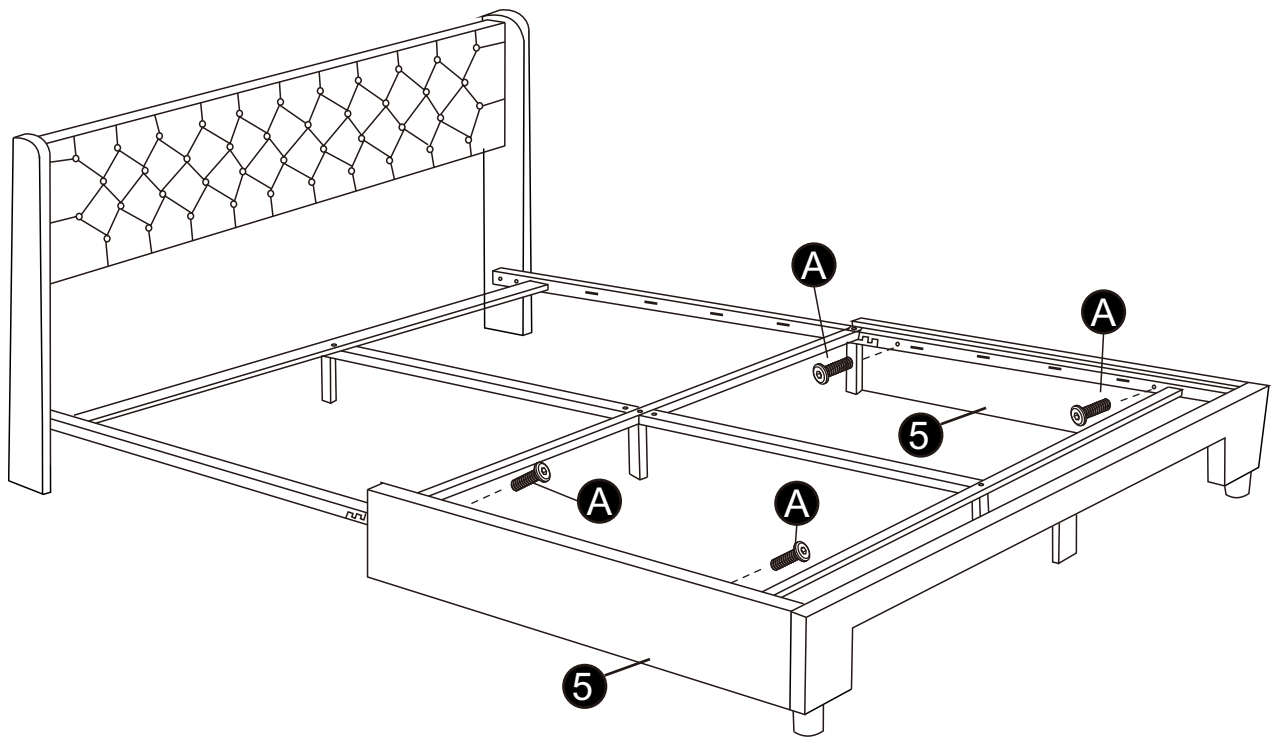
A  M6\*30mm 5

## Step 6



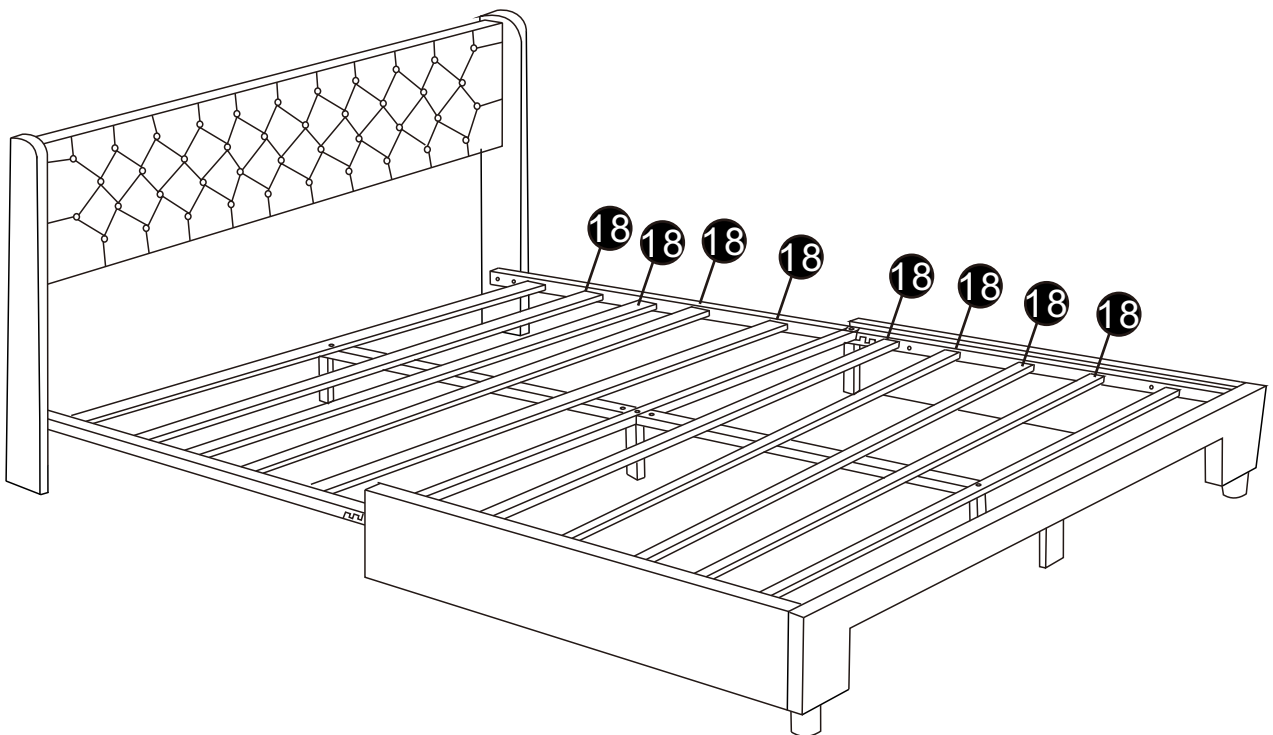
G  M6\*50mm 2

## Step 7



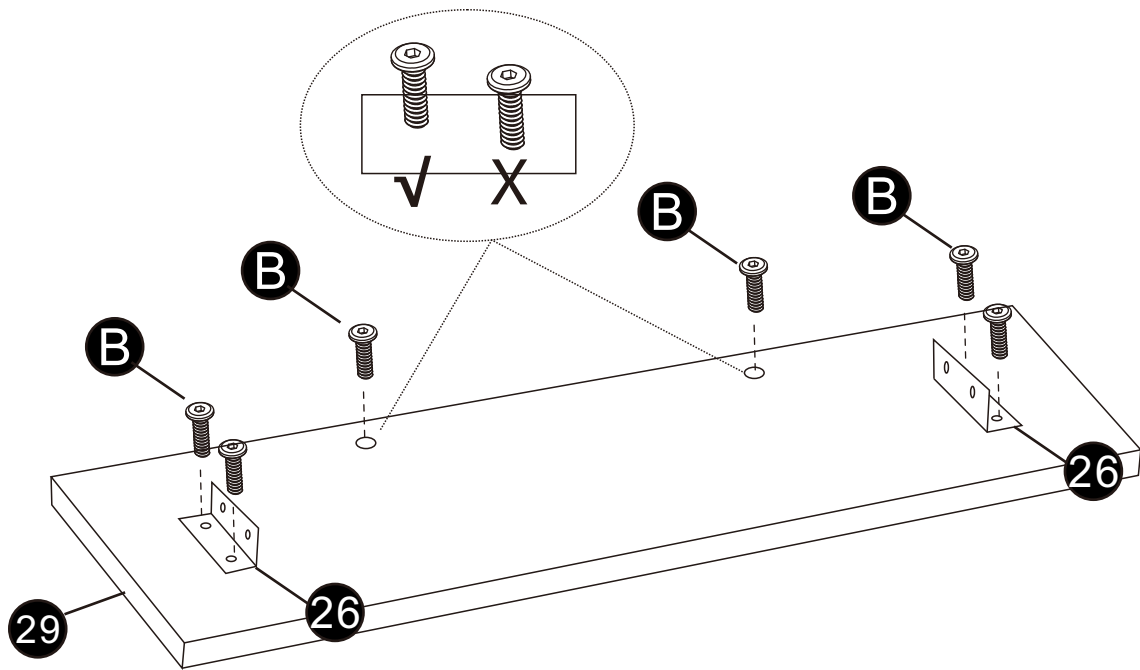
A  M6\*30mm 4

## Step 8



Step 9

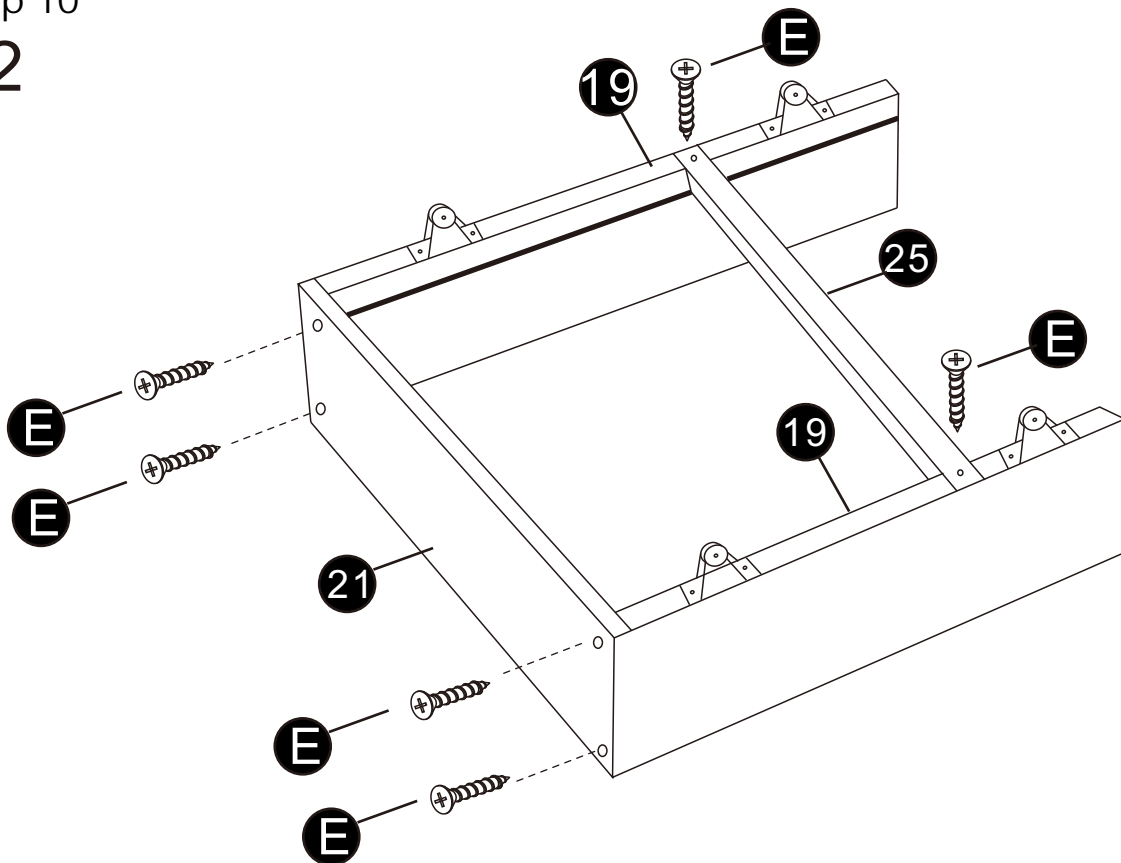
x2



B		M6*20mm	12
---	---	---------	----

Step 10

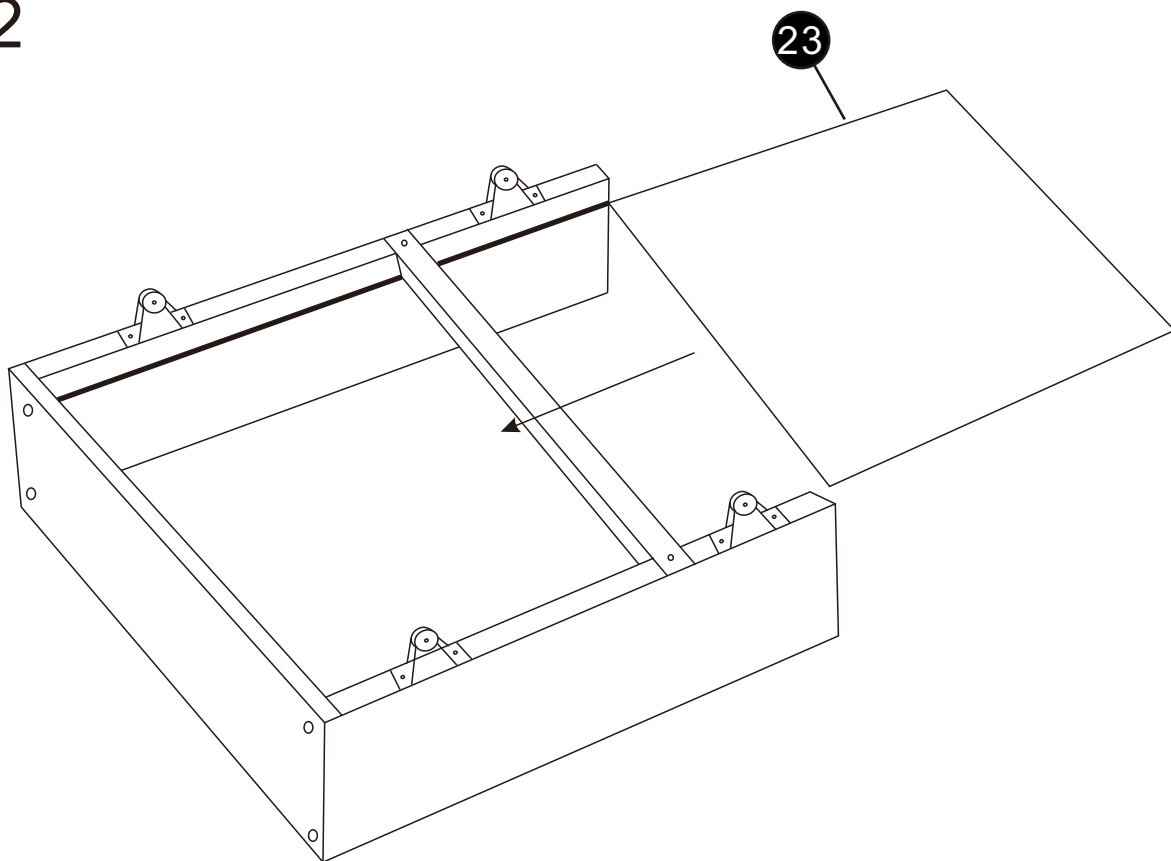
x2



E		M4*25mm	12
---	---	---------	----

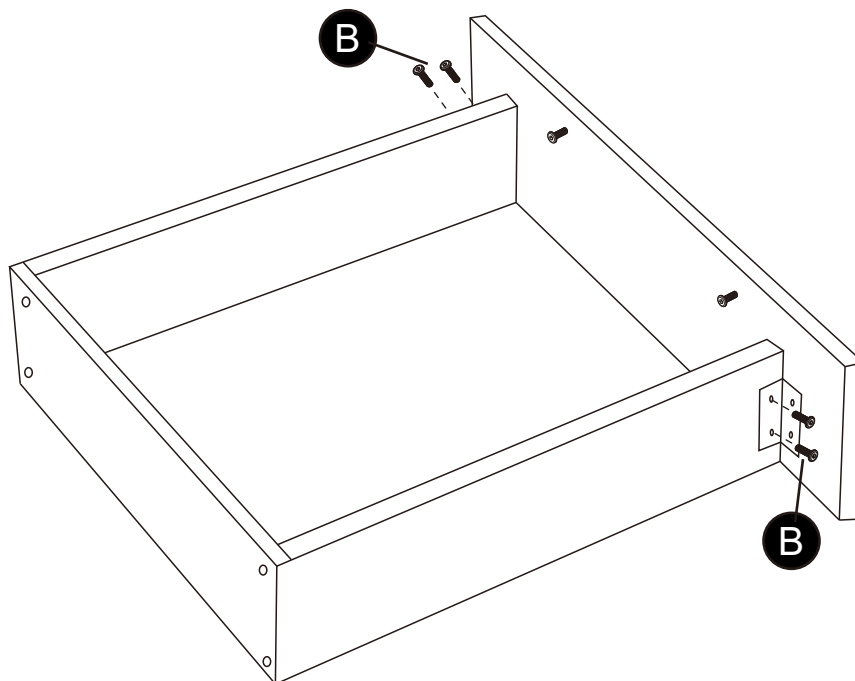
Step 11

x2



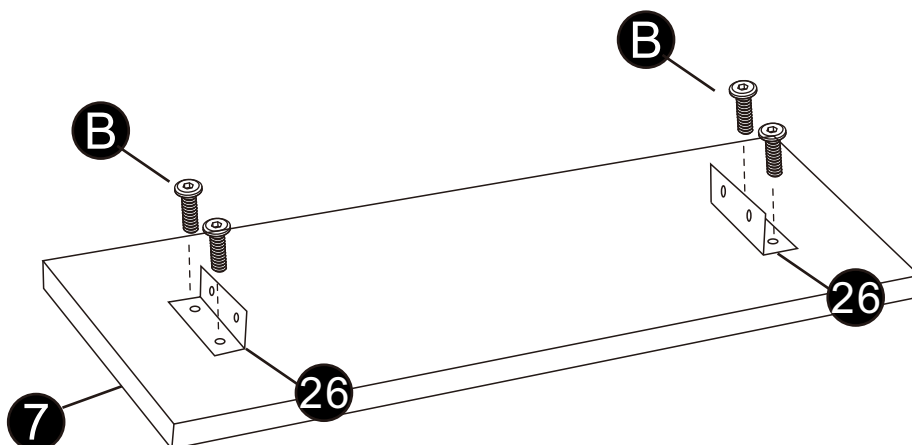
Step 12

x2



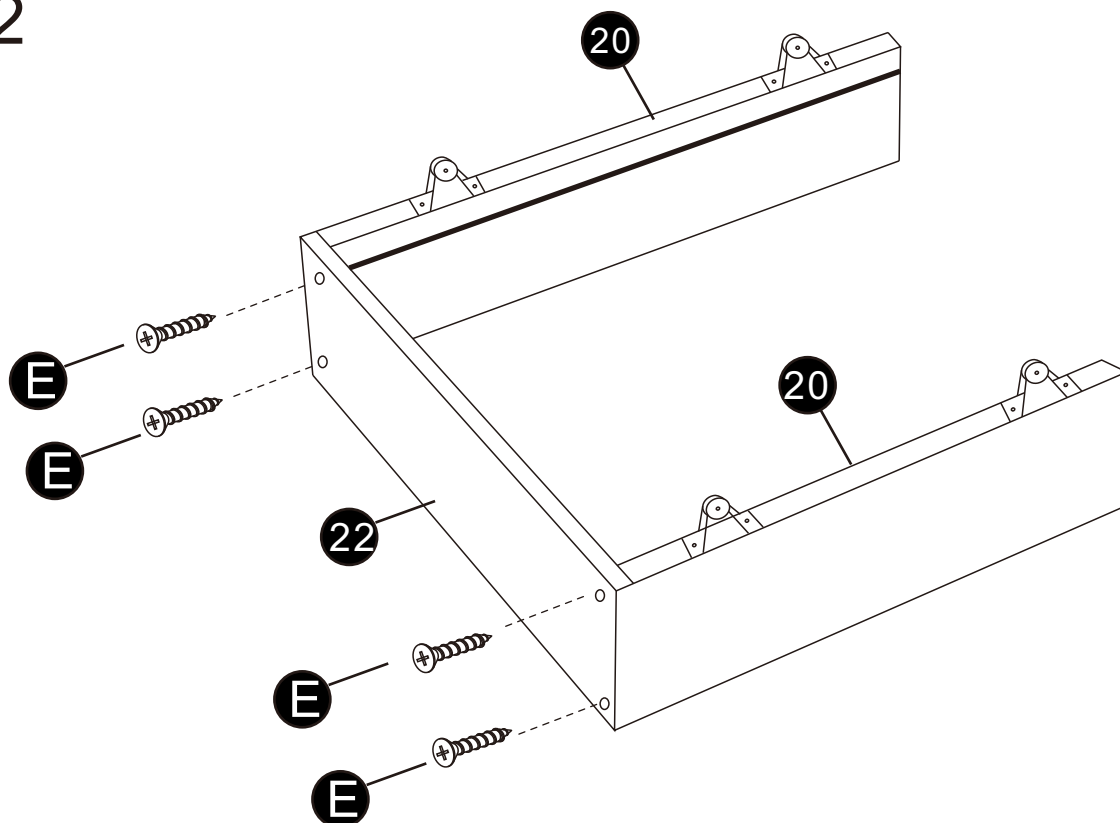
B		M6*20mm	8
---	---	---------	---

Step 13  
x2



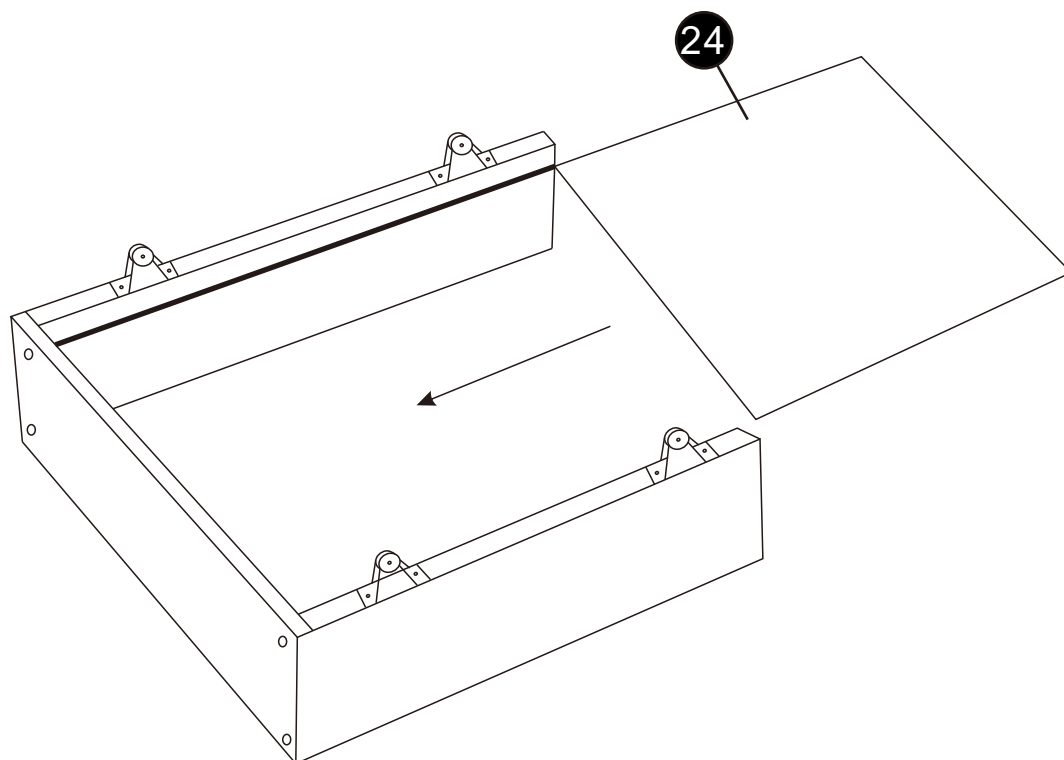
B		M6*20mm	8
---	---	---------	---

Step 14  
x2

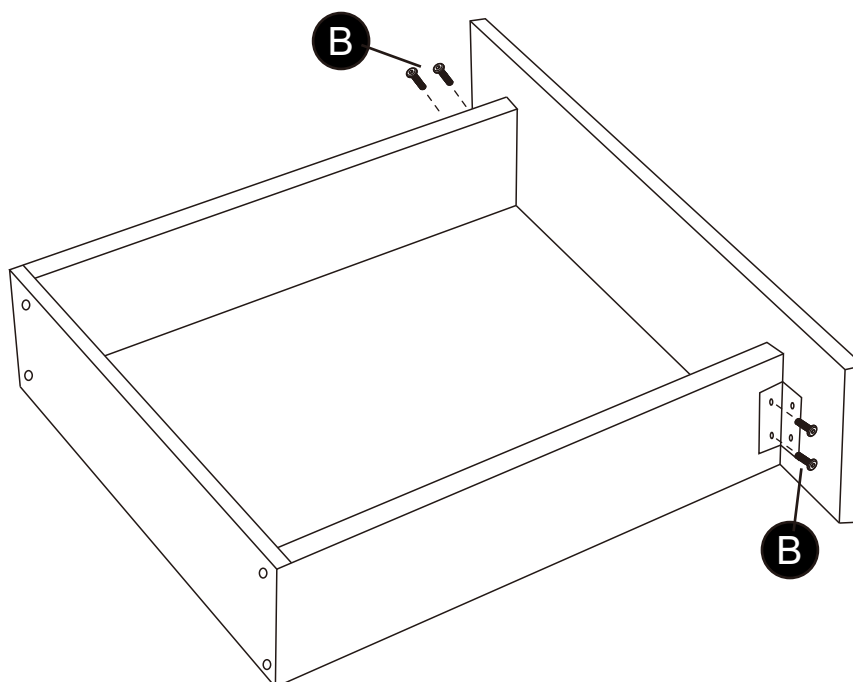


E		M4*25mm	8
---	---	---------	---

Step 15  
x2

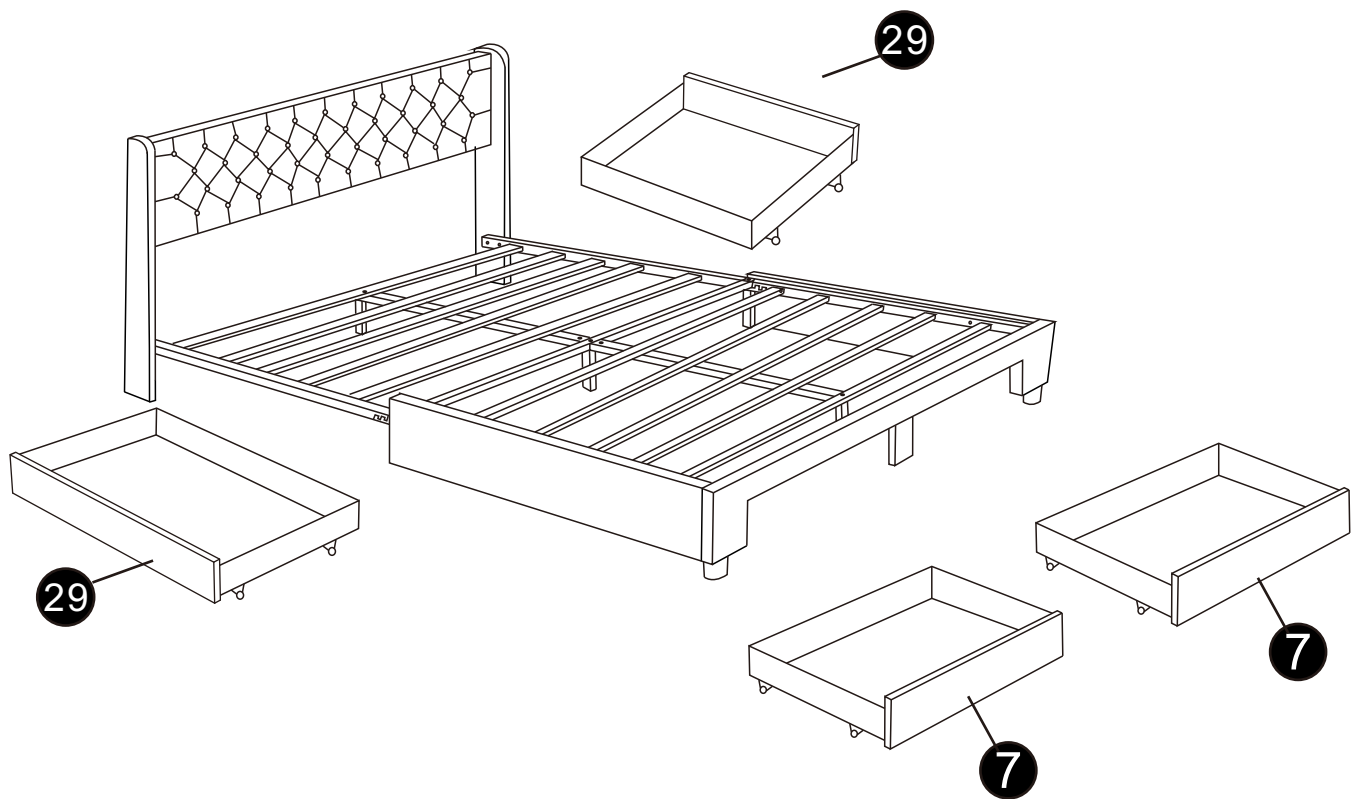


Step 16  
x2



B		M6*20mm	8
---	---	---------	---

## Step 17



## Step 18

