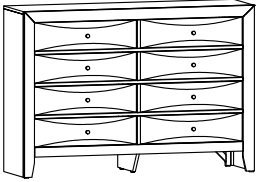
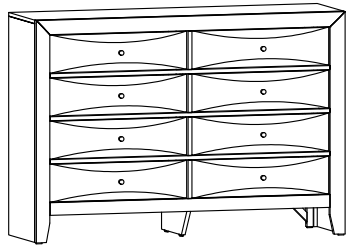


ASSEMBLY INSTRUCTIONS DRESSER

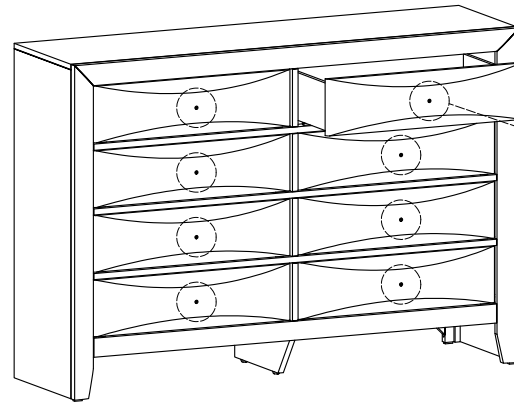
G15XX-D

NO	PART LIST	QTY
1	 DRESSER	1pc

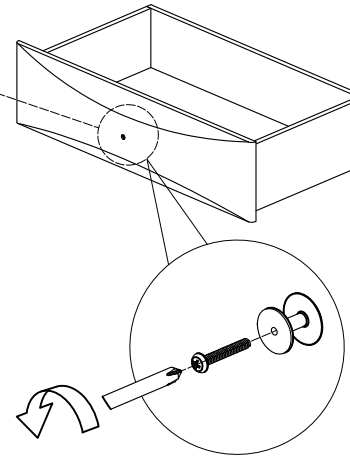


STEP 1

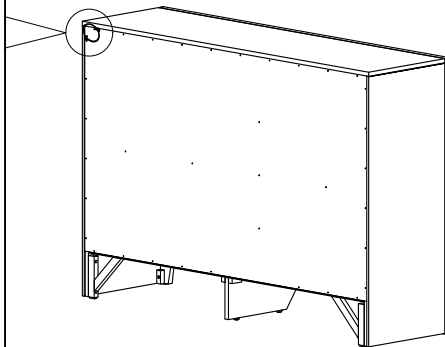
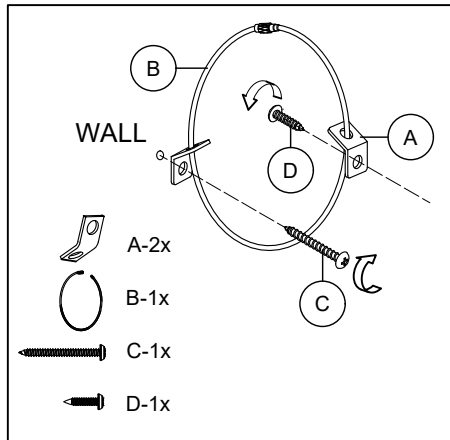
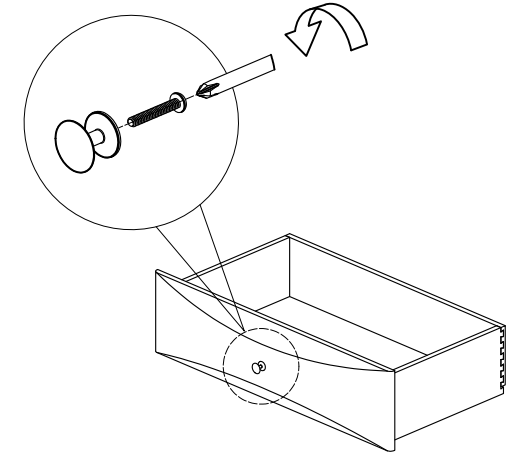
Open all the handle knob of Drawer, attach it properly.



STEP 1.1
Open handle knob



STEP 1.2
Attach handle knob



INSTALLATION INSTRUCTION

1. Determine where the furniture is to be placed and find the center line of a wooden stud using a stud finder.
2. Drill a 1/8" pilot hole on the wooden stud approximately 3" below the height of unit top.
3. Attach one bracket (A) securely with screw (C) into the pilot hole on the wall.
4. Position the furniture in place and attach the other bracket (A) with screw (D) to the back edge of unit top in line with the bracket (A) on the wall. NOTE: If the unit has metal back/top follow option 2, using existing hardware on unit as indicated in main assembly instructions. Screw (D) will not be used for this option.
5. Put the male end of the steel cable (B) through each bracket. Securely connect both ends together by turning the female connector clockwise.