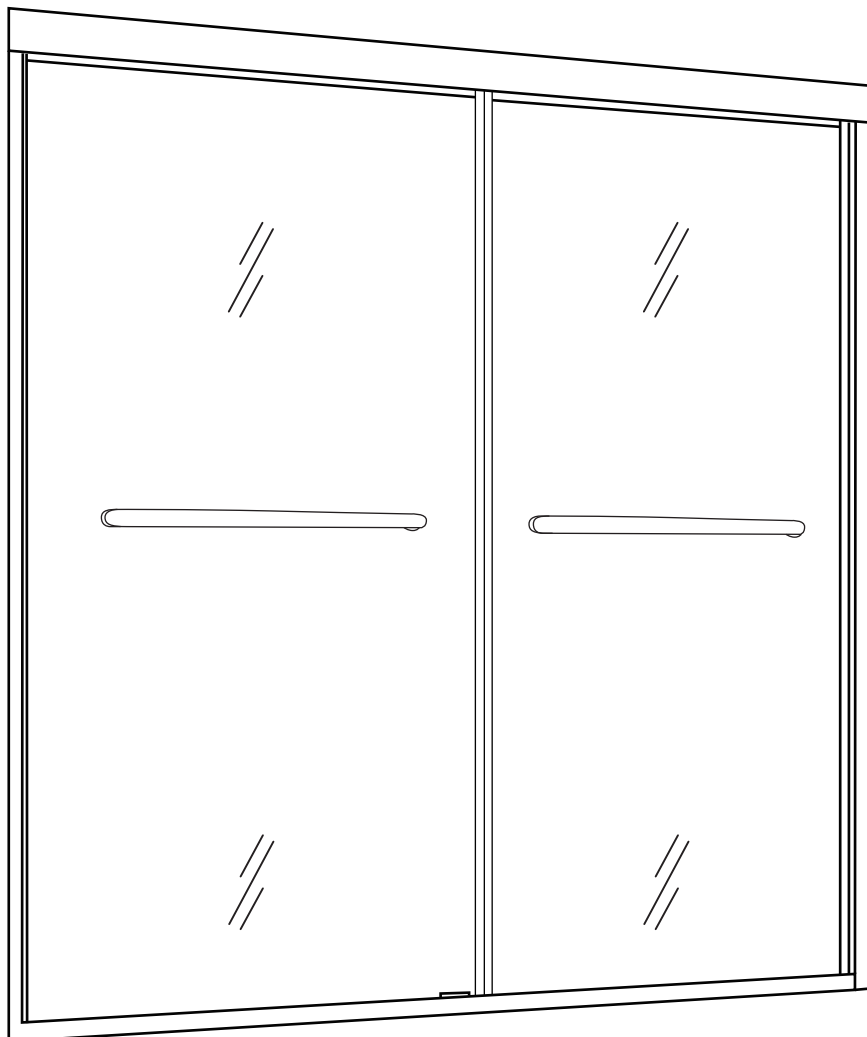


INSTALLATION MANUAL

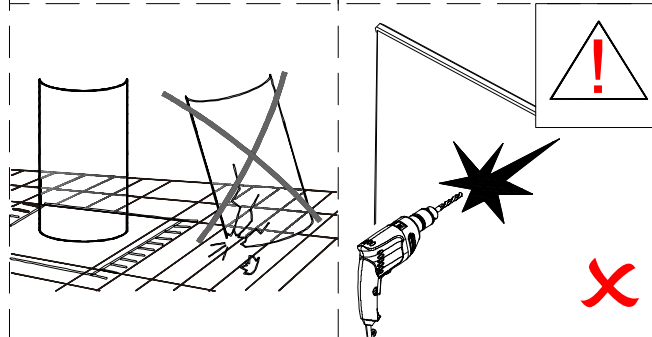
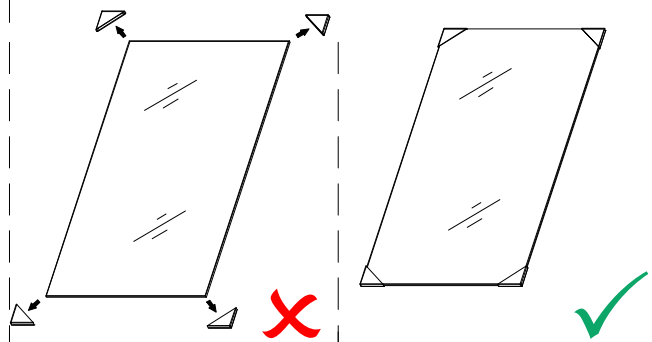
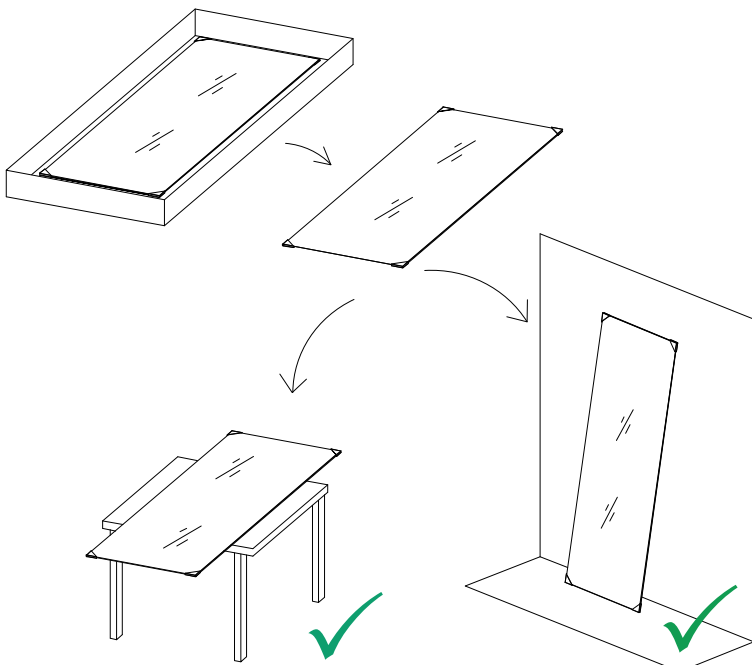
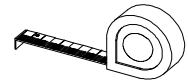
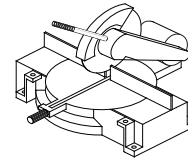
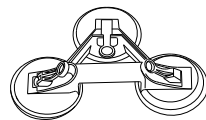
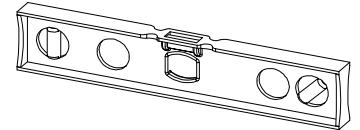
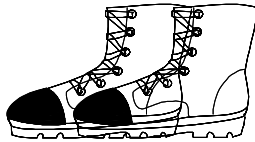
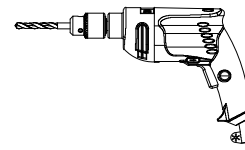
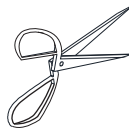
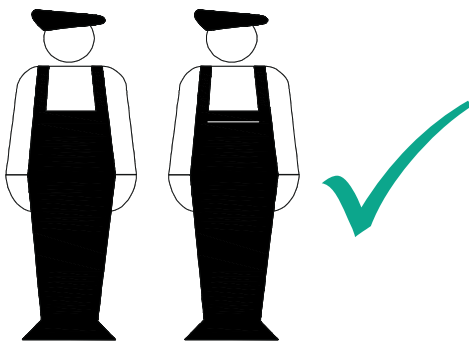
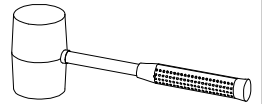
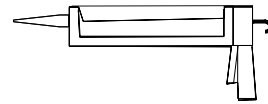
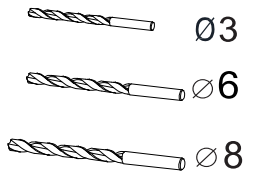
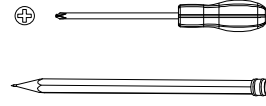
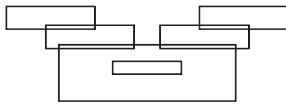


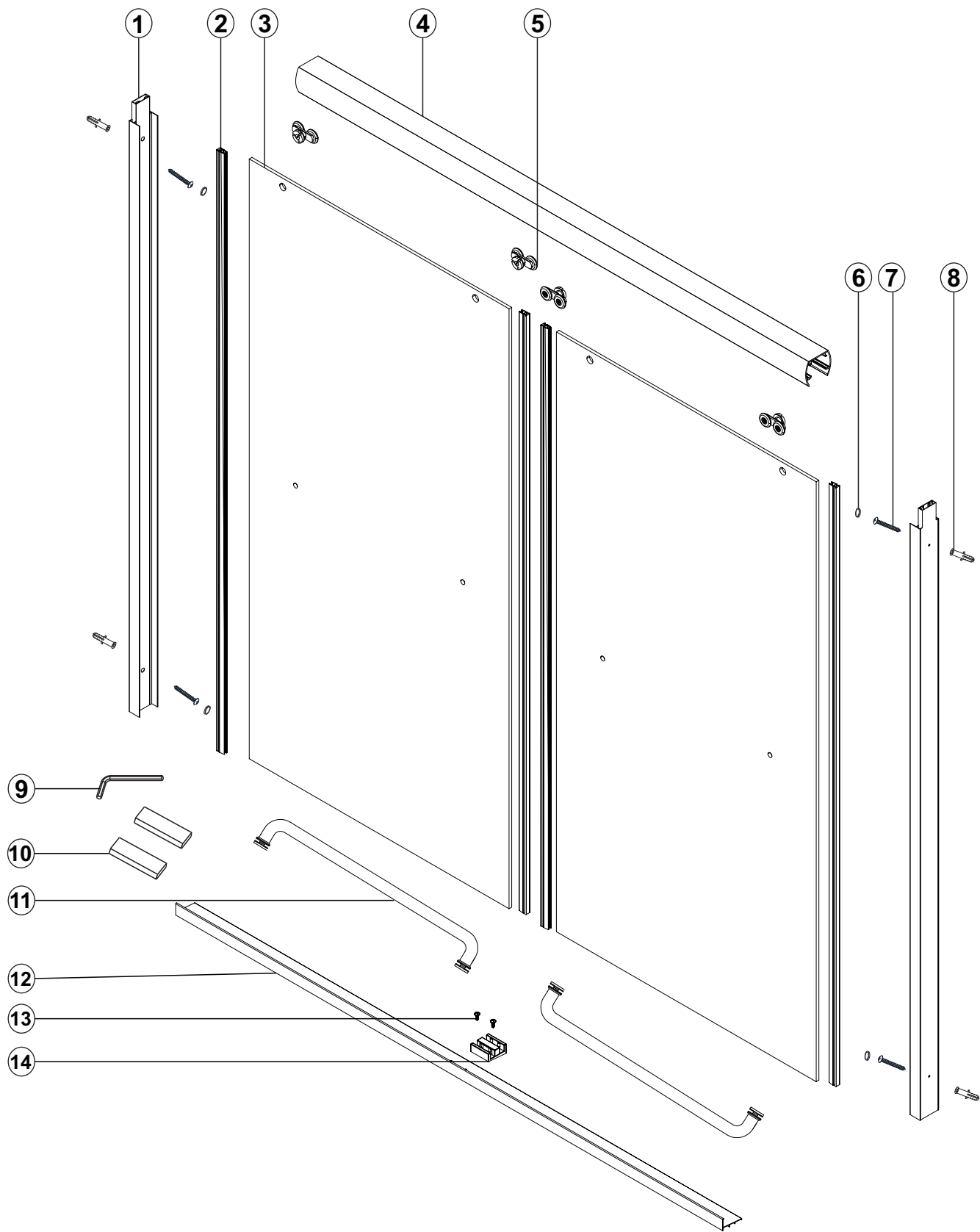
PRODUCT
INSTRUCTION
VIDEO



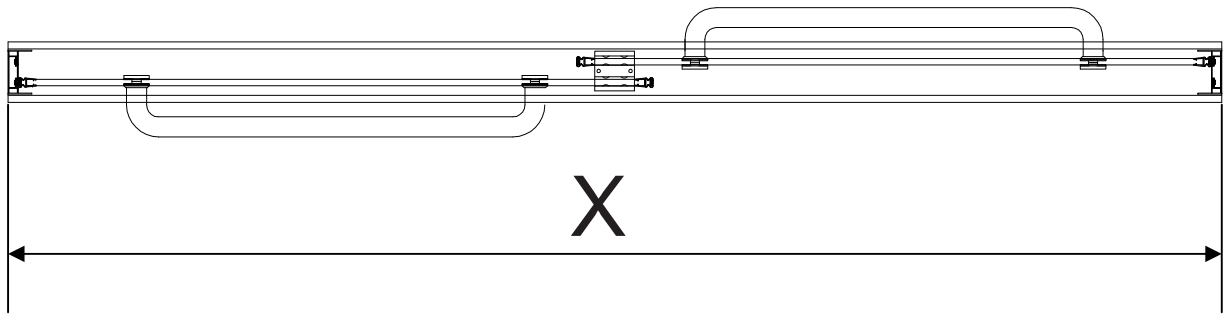


IMPORTANT - Please read and follow all warnings and instructions before using this product. Injury can result from improper use. Save this documents.

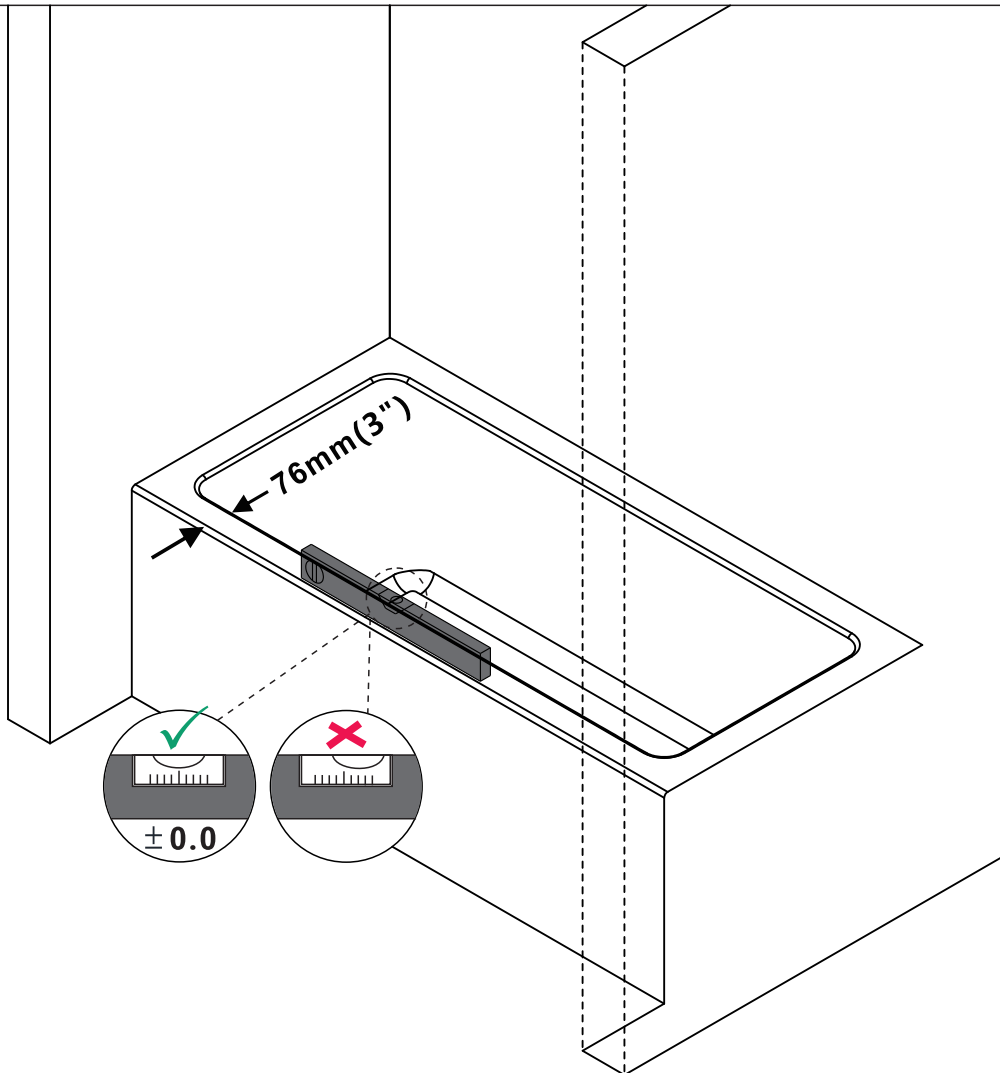




NO.	Picture	Qty	NO.	Picture	Qty	NO.	Picture	Qty	NO.	Picture	Qty	NO.	Picture	Qty
①		2	②		4	③		2	④		1	⑤		4
⑥		5	⑦		5	⑧		5	⑨		1	⑩		2
⑪		2	⑫		1	⑬		2	⑭		1			

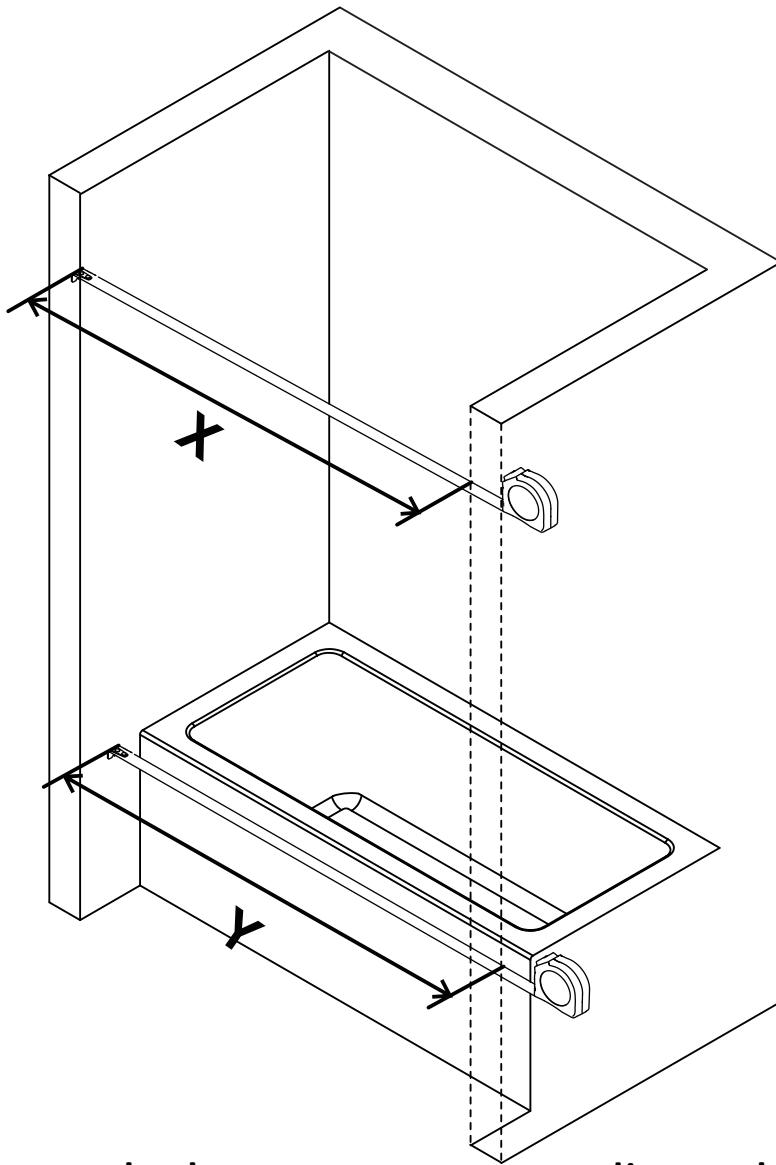


		X	
	Size in:mm	Min.	Max.
TSD6260BN	60"	57"	60"
TSD6260MB			



1

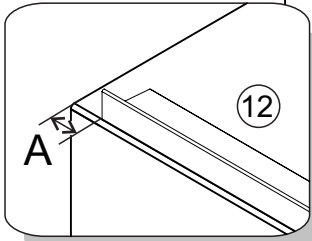
NO.	Picture	Qty
④		1
⑫		1



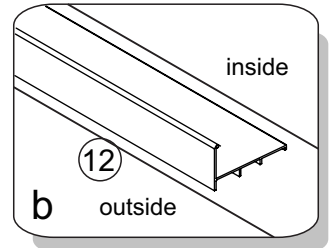
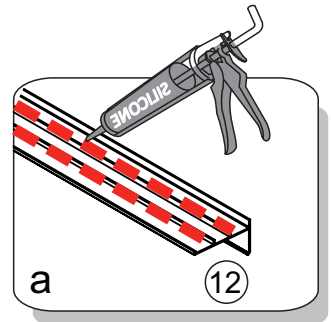
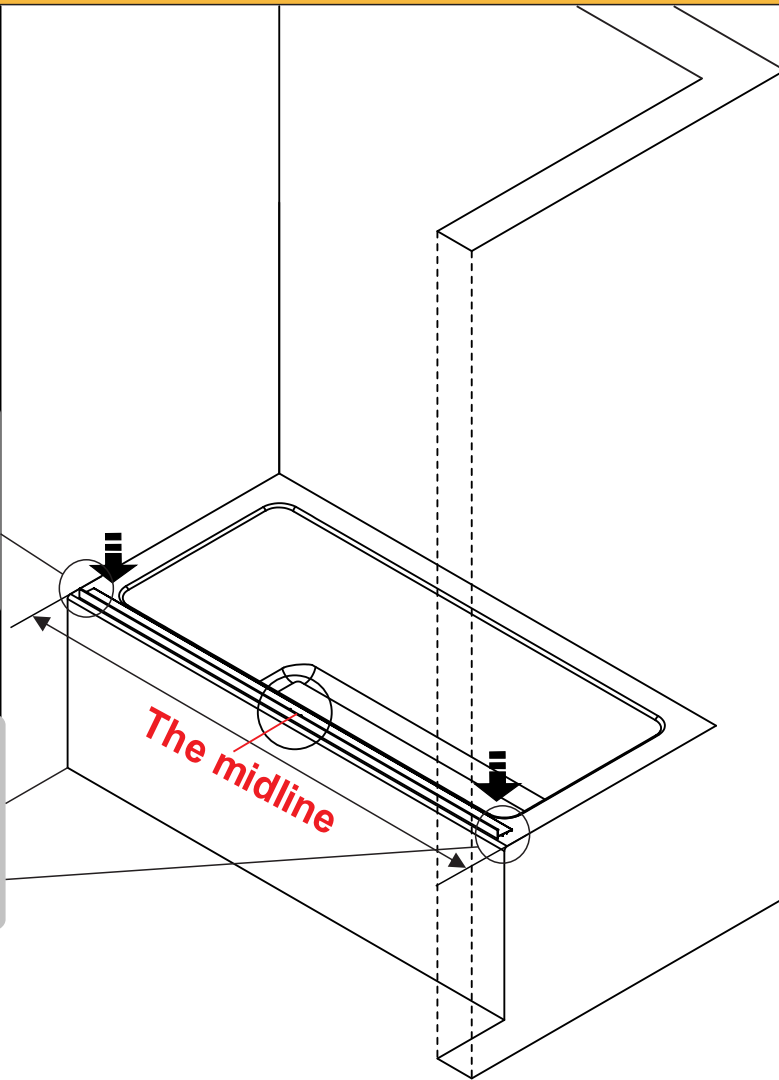
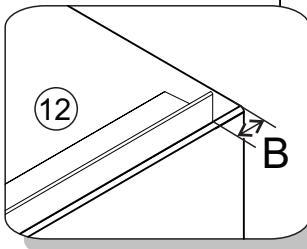
NOTE: You can choose whether to cut or not according to the actual situation.

<p>⚠ X=60" No need to cut</p> <p>L</p> <p>④</p>	<p>⚠ X<60"</p> <p>L1</p> <p>④</p> <p>L1=X</p>
<p>⚠ Y=60" No need to cut W=1495mm(59")</p> <p>W</p> <p>⑫</p>	<p>⚠ Y<60" $H = (1495\text{mm}(59") - Y - 1 \frac{1}{32} (26\text{mm})) / 2$</p> <p>W1</p> <p>⑫</p>

2

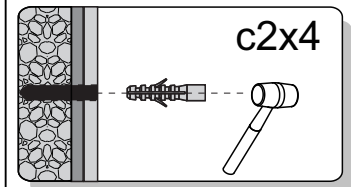
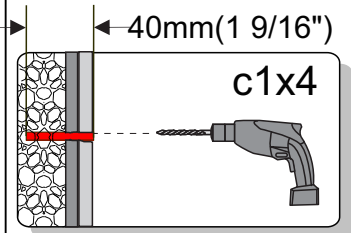
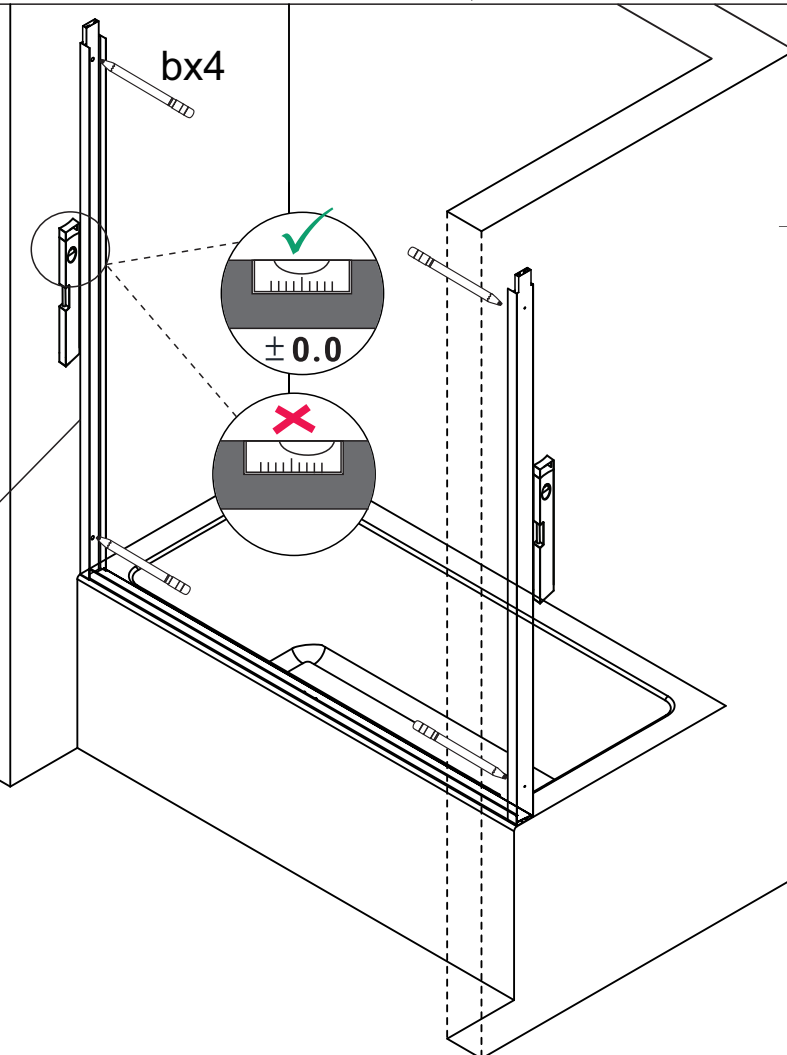
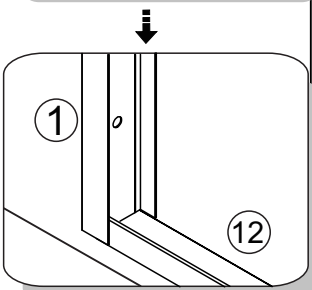
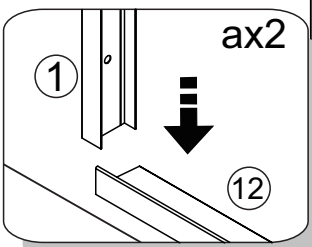


A=B



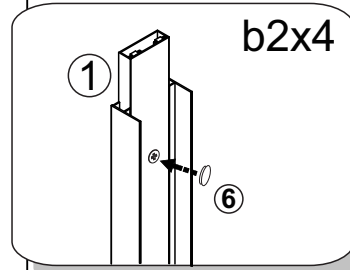
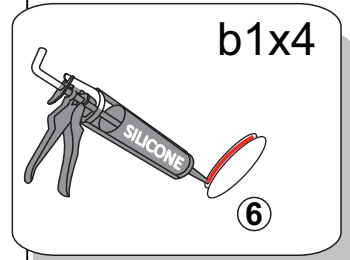
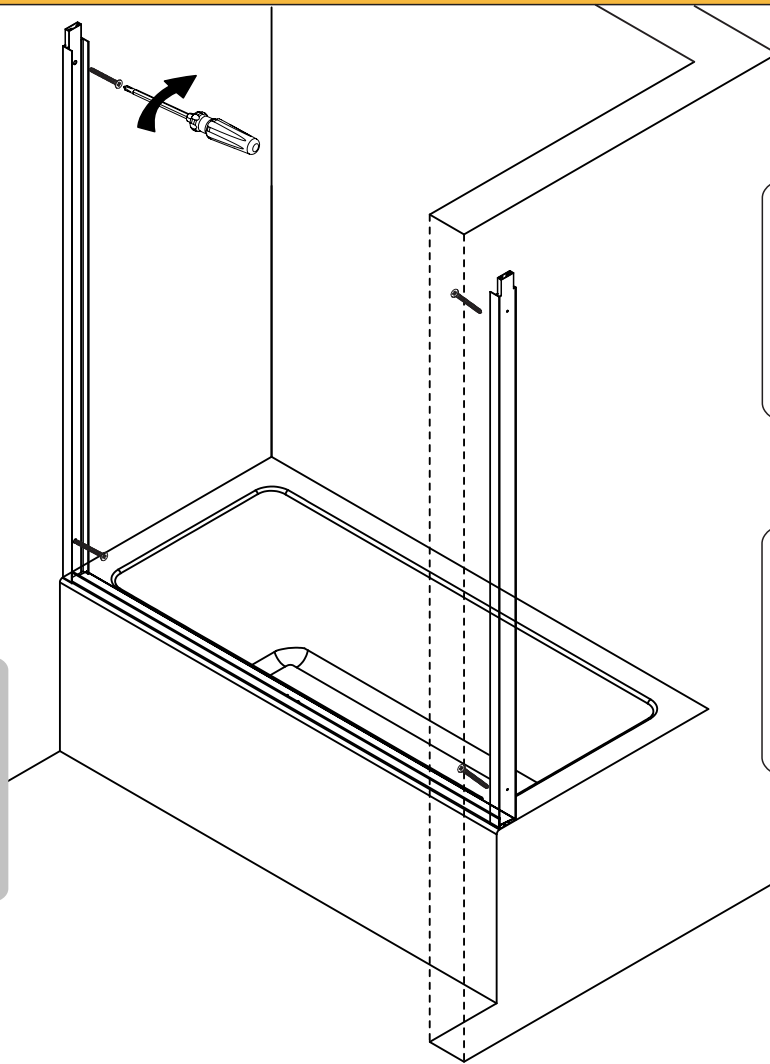
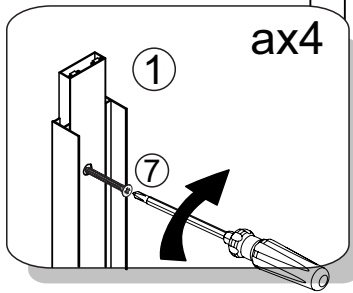
3

NO.	Picture	Qty
1		2
8		4

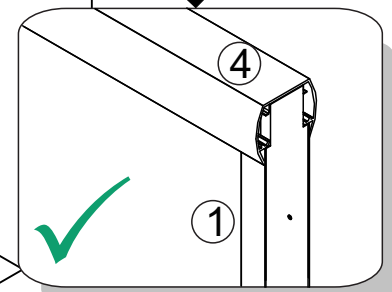
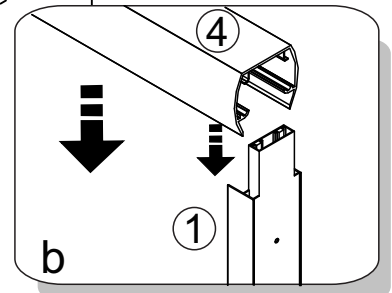
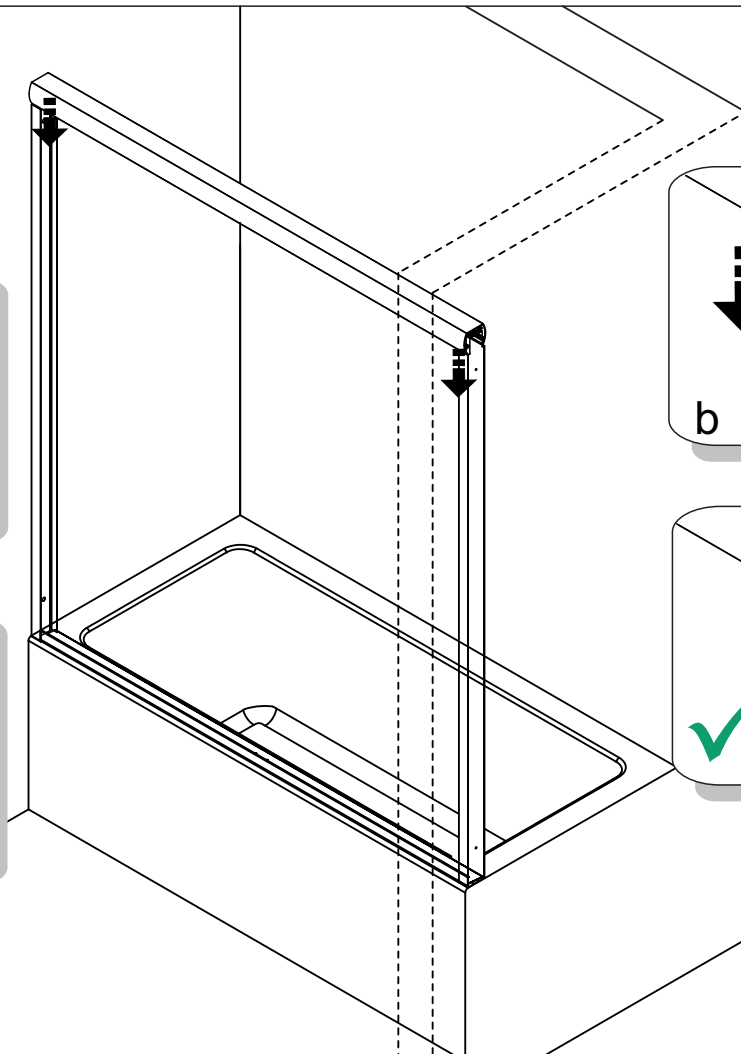
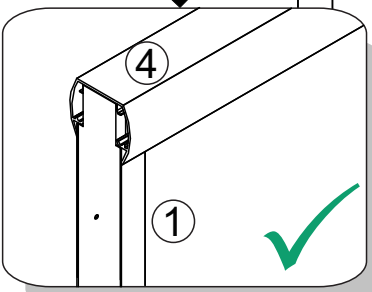
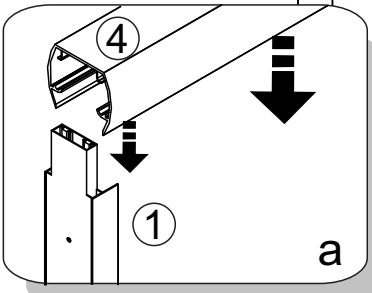


4

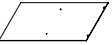


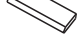
NO.	Picture	Qty
6		4
7		4

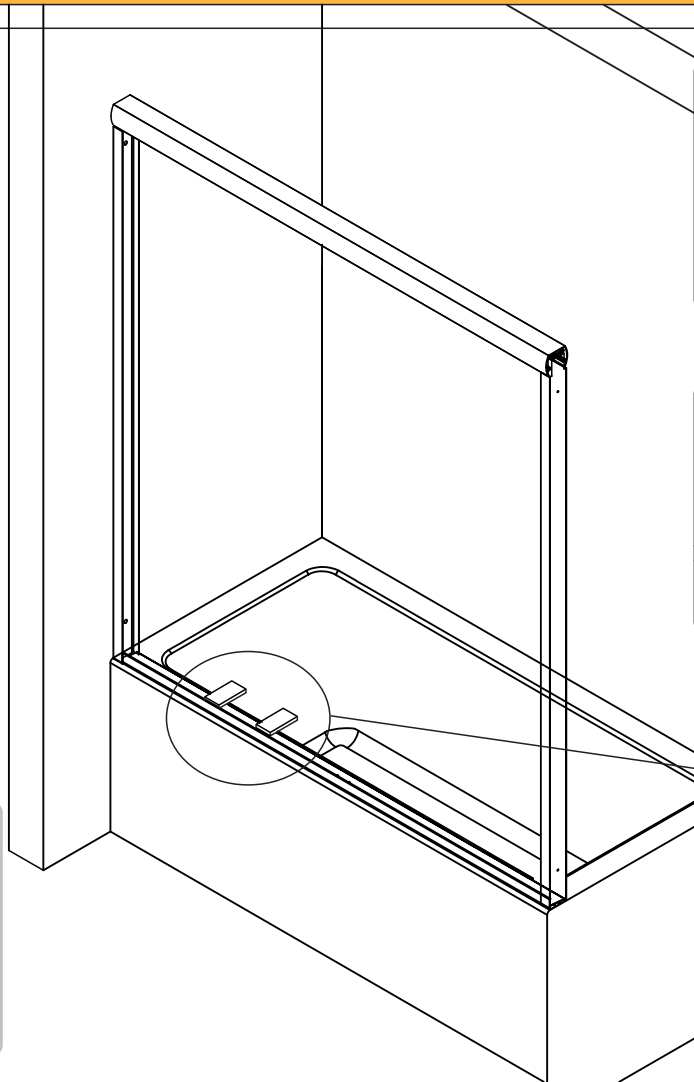
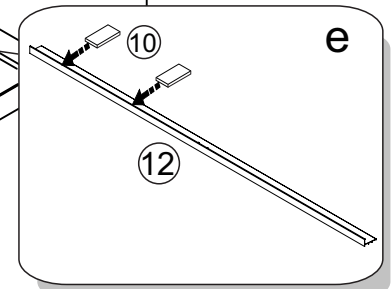
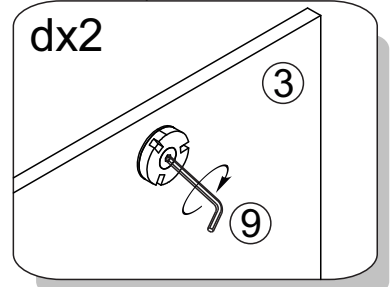
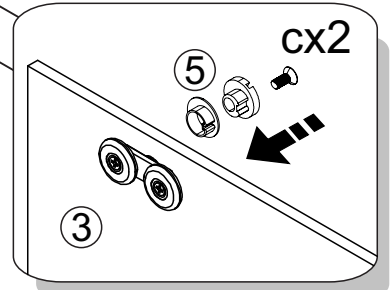
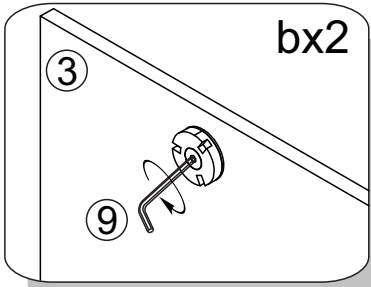
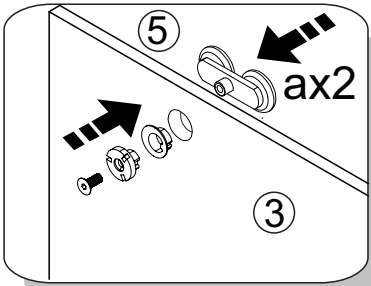


5

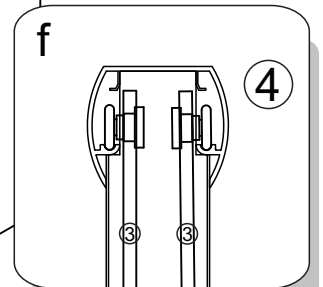
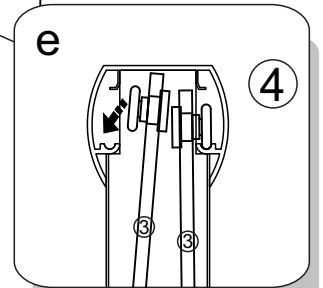
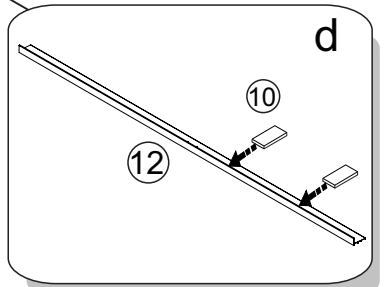
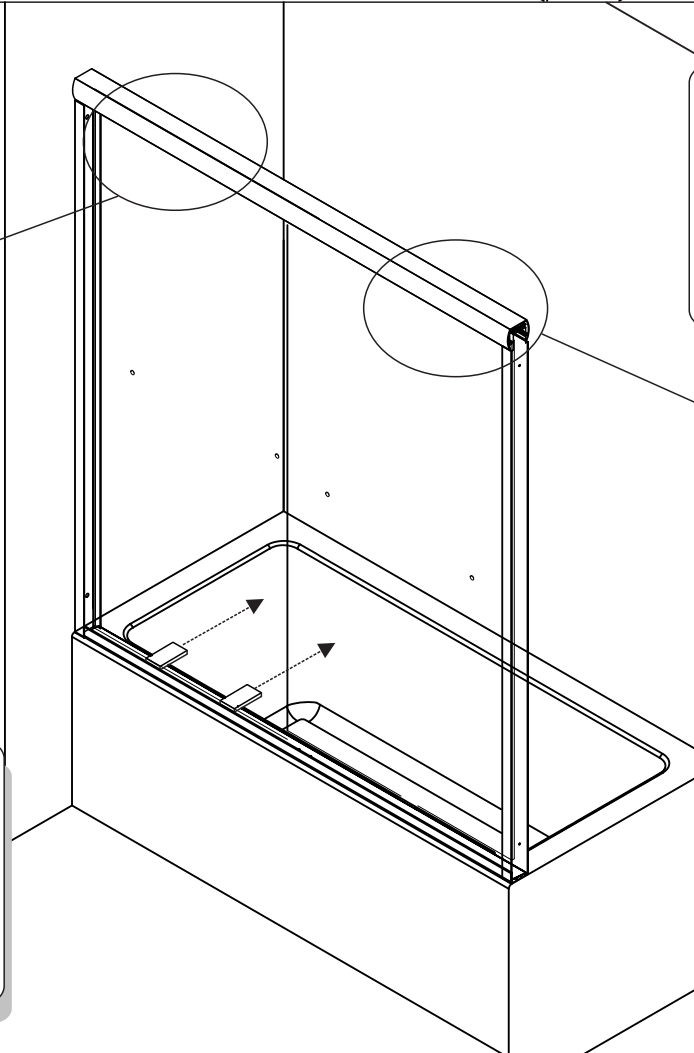
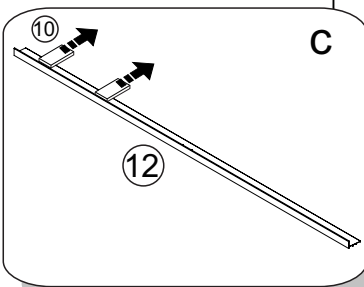
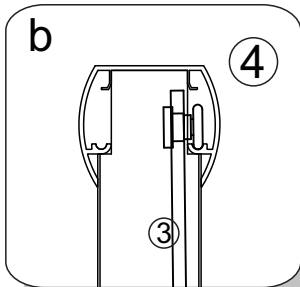
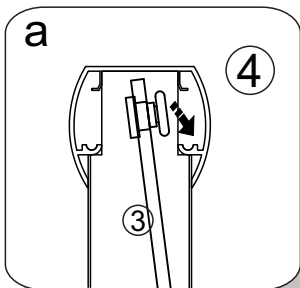


6

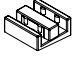
NO.	Picture	Qty
3		2
5		4
9	 3mm	1
10		2

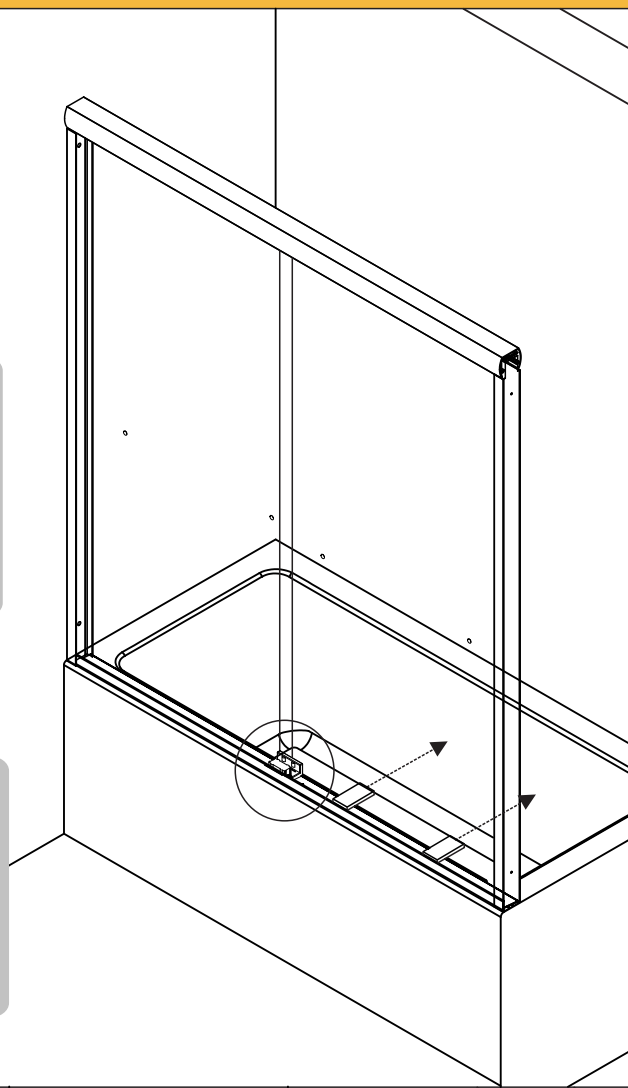
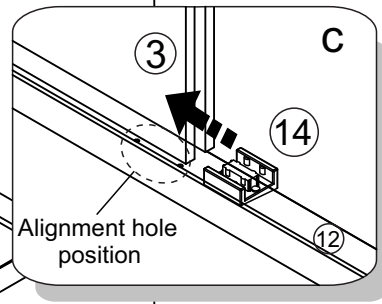
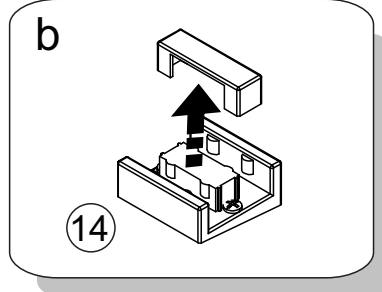
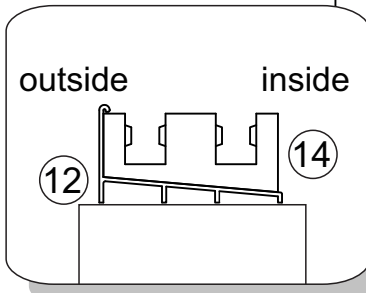
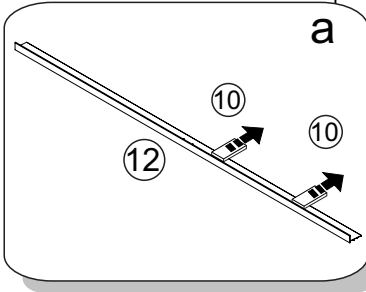


7




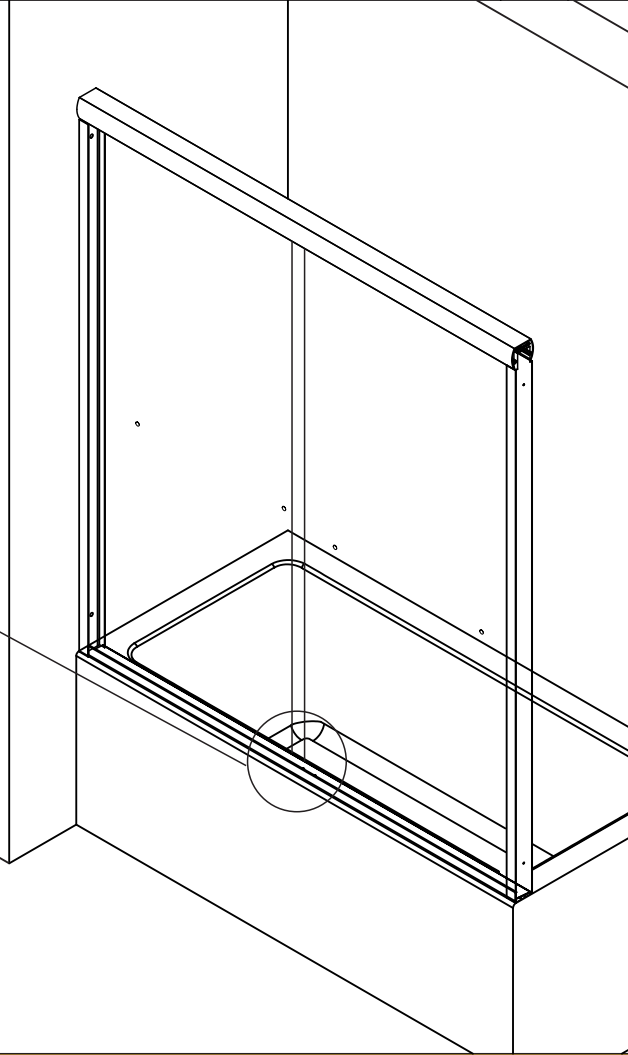
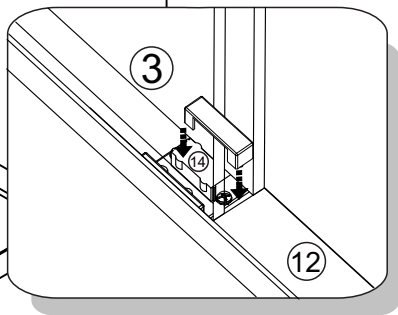
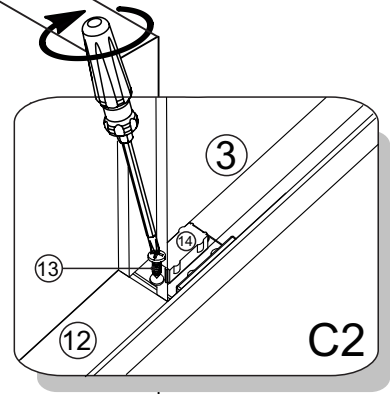
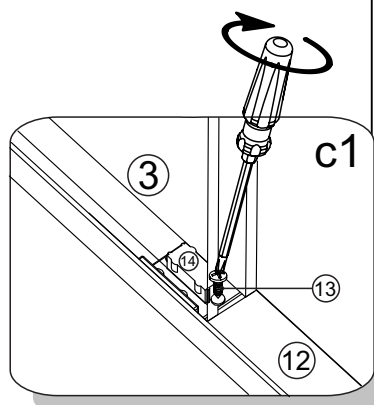
8

NO.	Picture	Qty
14		1

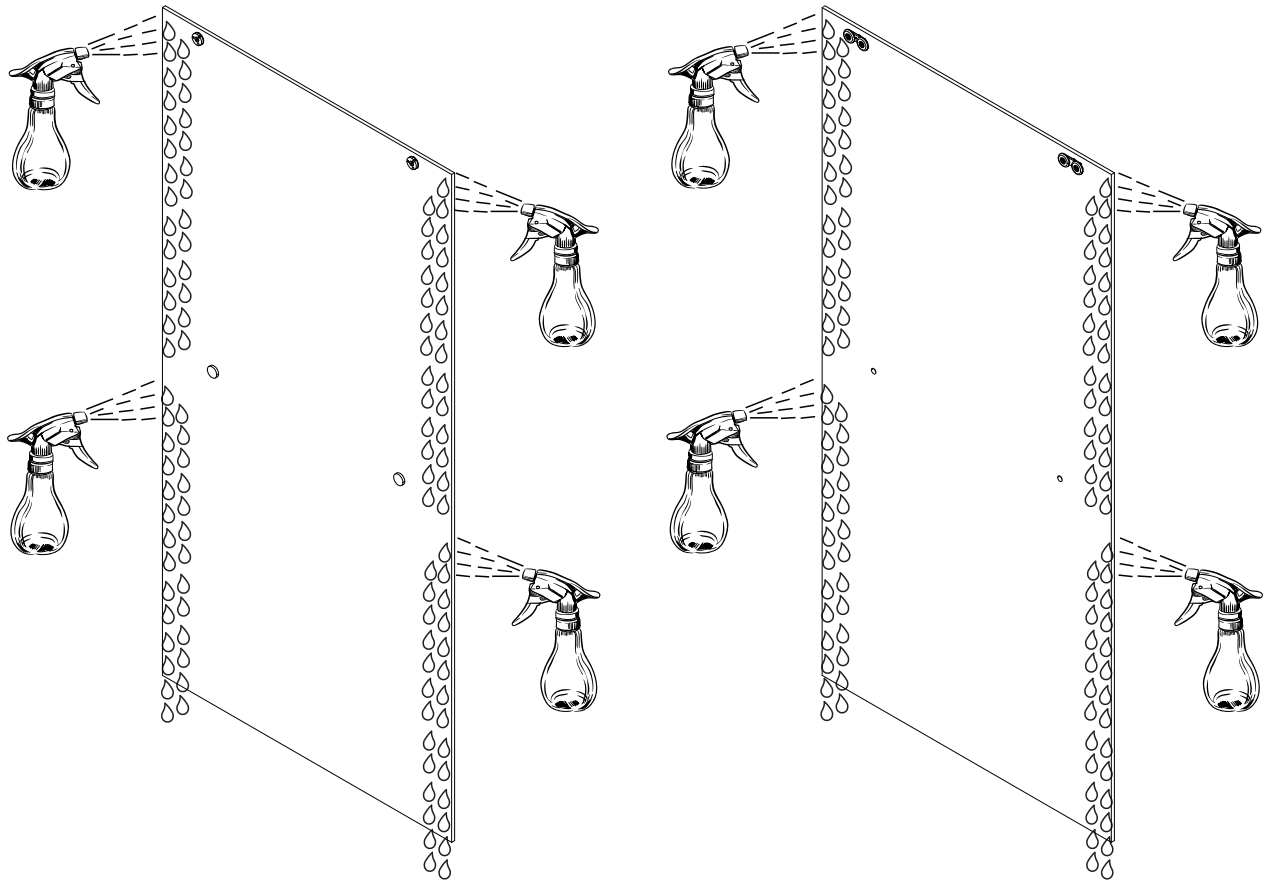



9

NO.	Picture	Qty
13		2
	ST4*12	




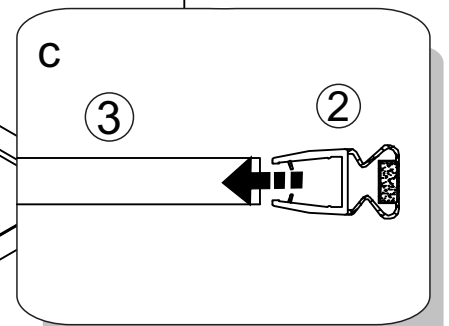
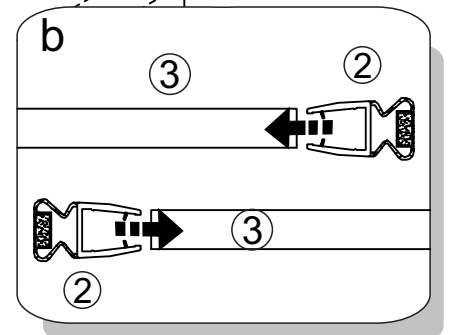
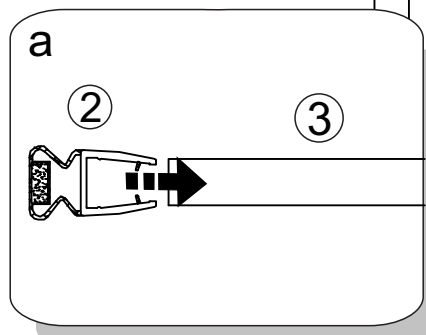
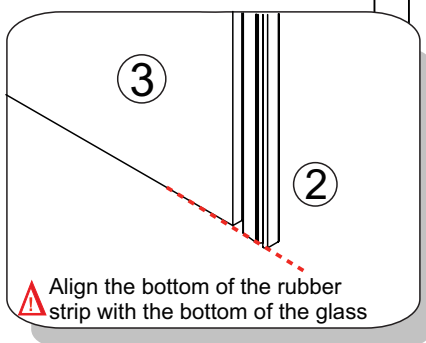
10



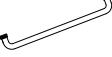
 Spray water on both sides of the glass for easy installation of rubber strips.

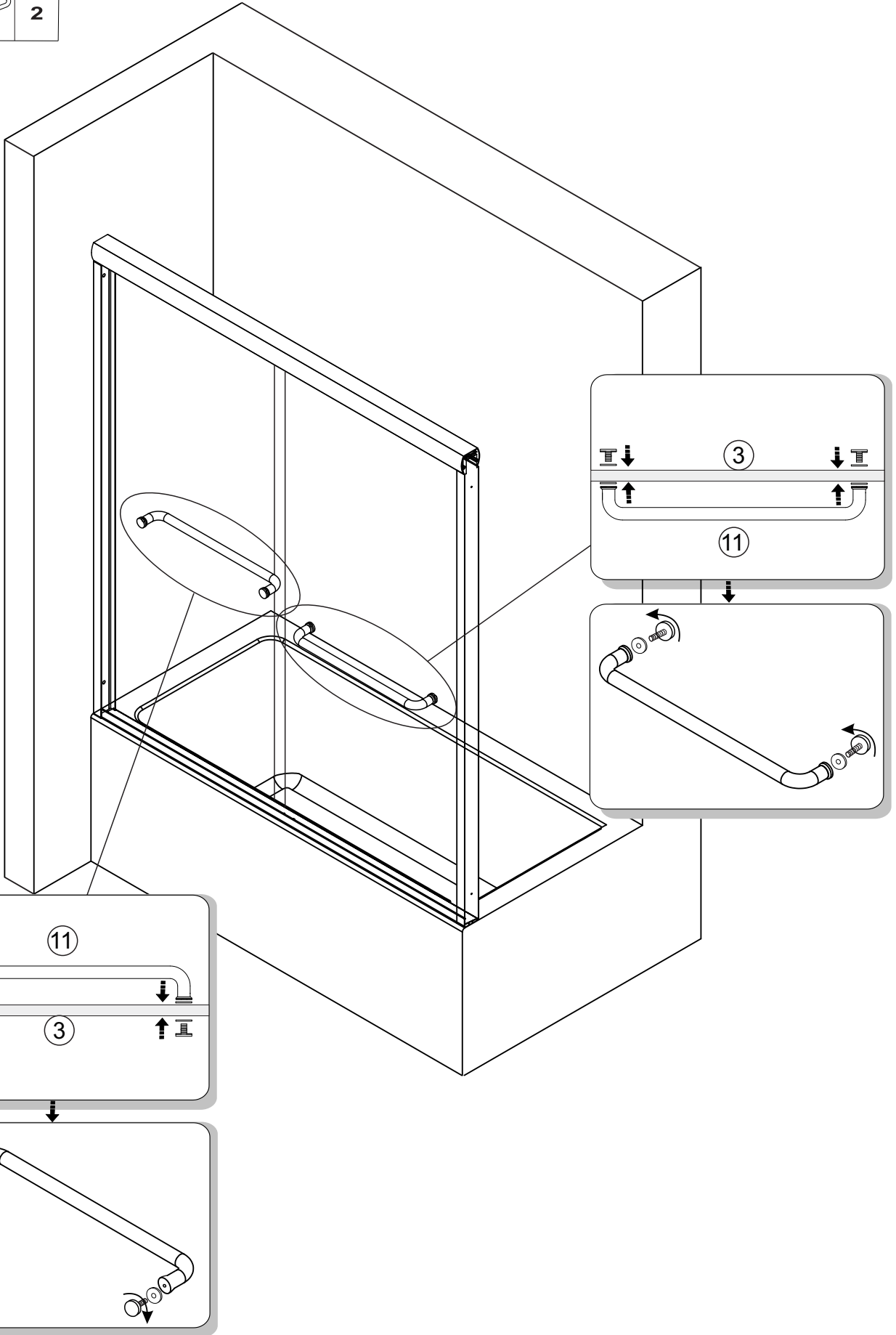
11

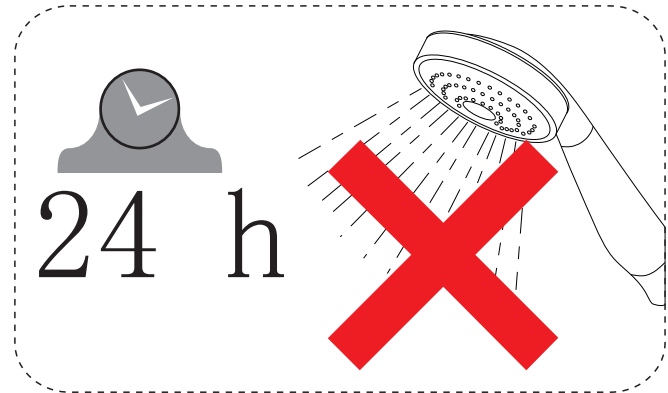
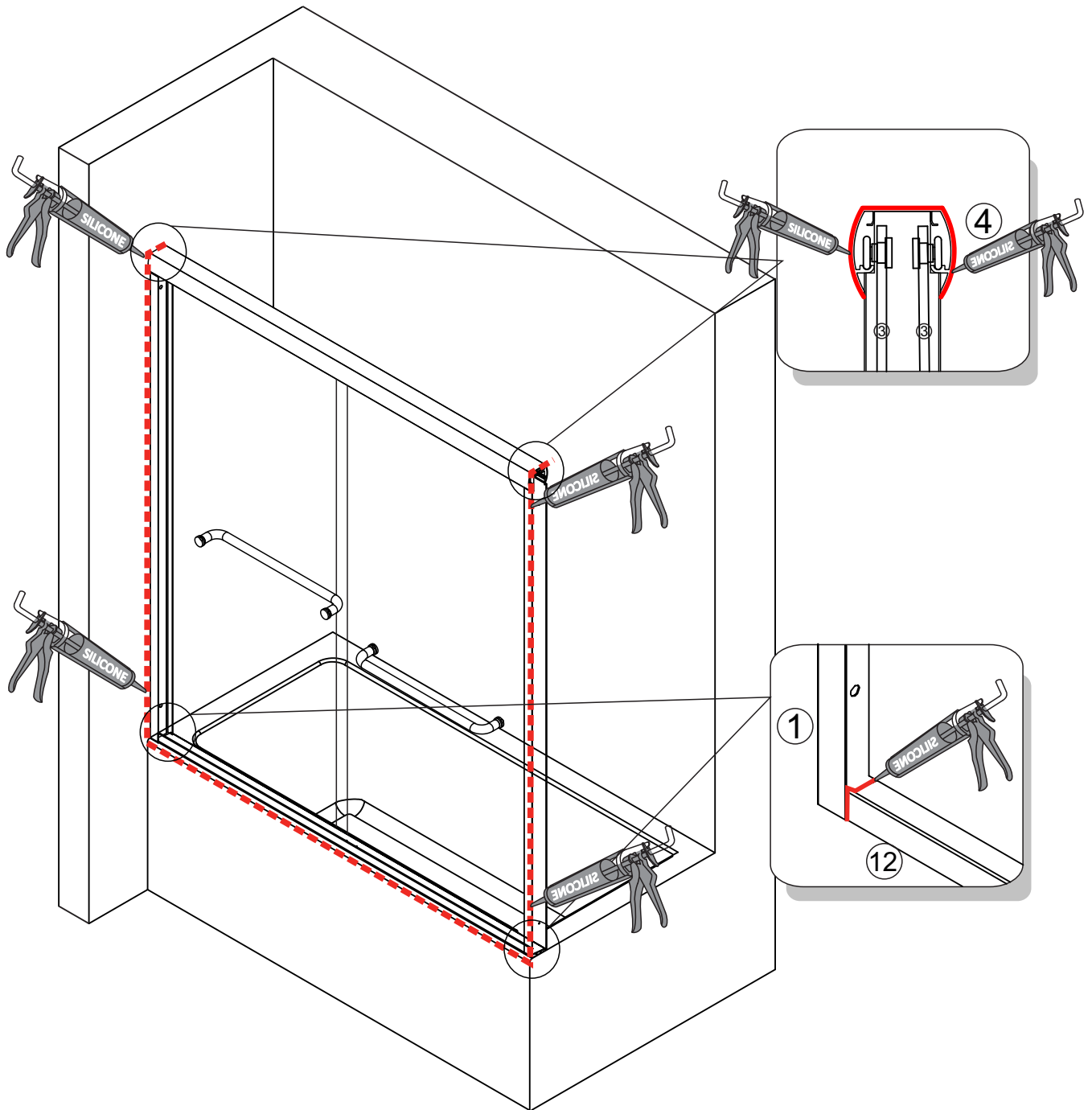
NO.	Picture	Qty
2		4



12

NO.	Picture	Qty
11		2





Do not use the shower enclosure for at least 24 hours in order to allow the silicone sealant to cure fully.

CARE & MAINTENANCE



The golden rules for care

NOTE: Use warm soapy water and a soft damp cloth to keep the glass clean. Wipe dry with a clean cloth. Glass cleaner can be used if required. Scourers, abrasives and chemical cleaners can damage the glass and pattern, and should not be used.

In hard water areas, insoluble lime salts may be deposited on the glass. If this is allowed to build up it becomes increasingly difficult to remove and looks unsightly. Regular cleaning will minimize this effect.

- Do not attempt to cut the glass.
 - Do not strike the glass with hard or pointed items.
 - Regularly check moving parts such as rollers and hinges to ensure they are secure and adjusted correctly. Tighten and adjust where required. Also check all sealed joints to ensure seal has not deteriorated. Re-seal if required.
-

HOME SERVICES



INSTALLATION VIDEO

Missing Part or Defective?

Please Contact the Customer Service Team

✉ service@getprohome.com

☎ 626 679 3588