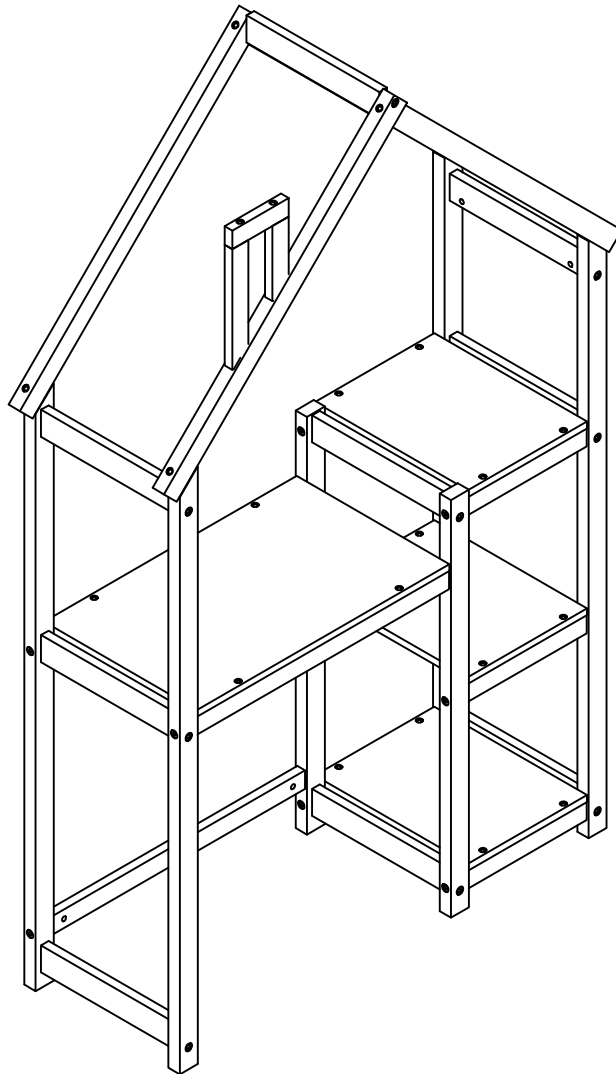


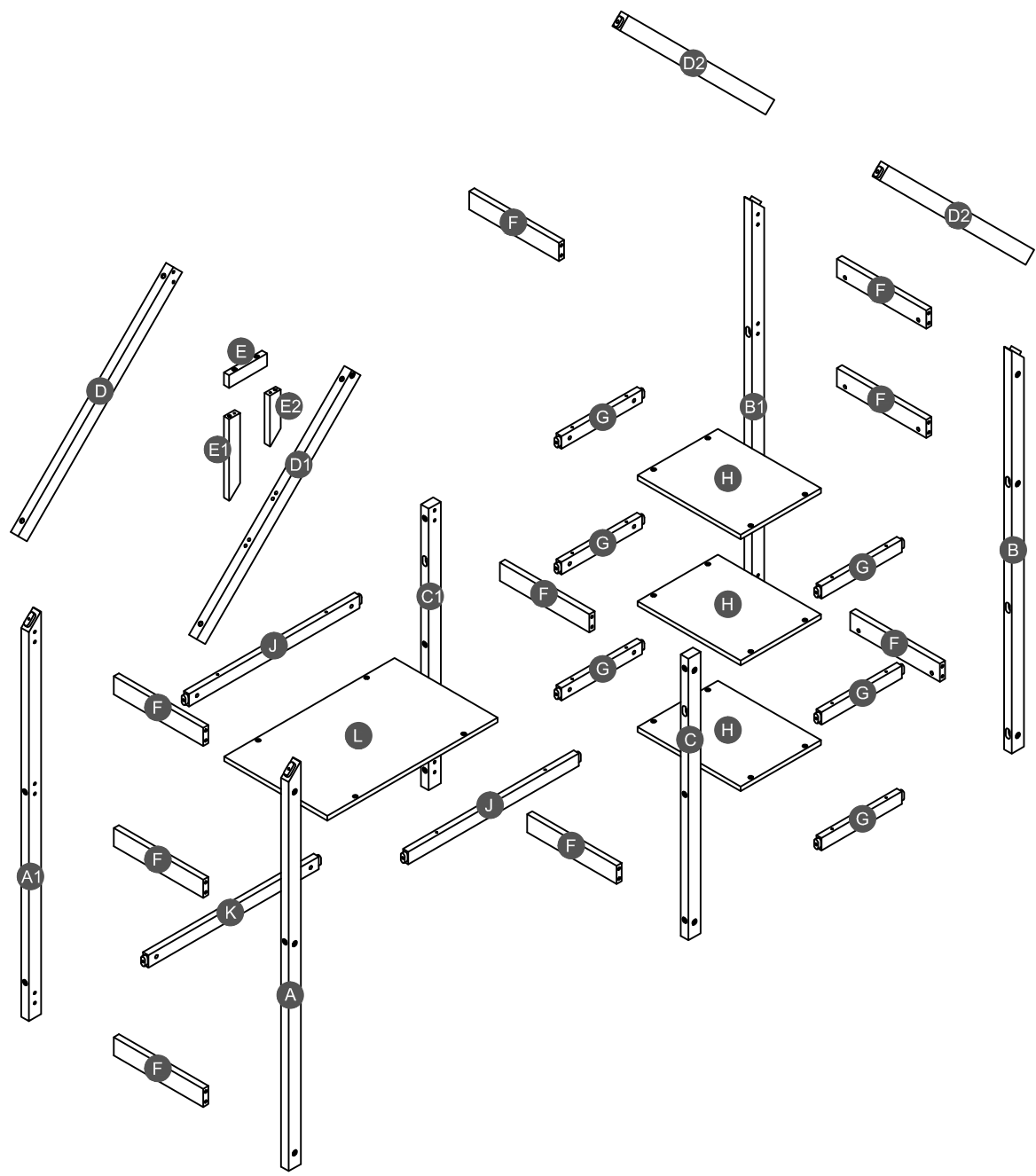
ASSEMBLY INSTRUCTIONS

HOUSE BOOKSHELF

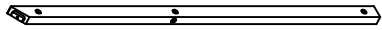
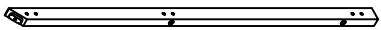
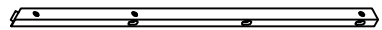
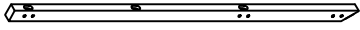
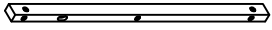
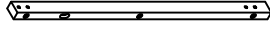
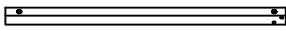
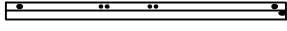
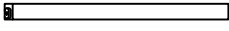

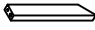
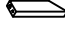
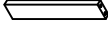

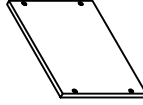
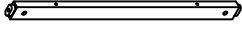
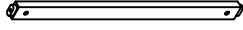
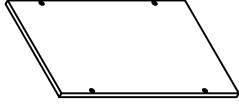


SA33806

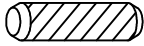
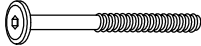
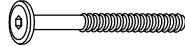





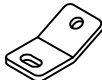
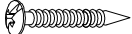


Detail View



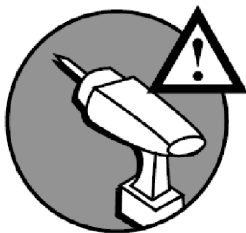
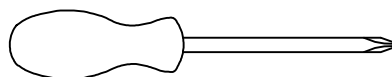
Part List

<p>A</p>  <p>Leg (Left Front) - 1pc</p>	<p>A1</p>  <p>Leg (Left Back) - 1pc</p>	<p>B</p>  <p>Leg (Right Front) - 1pc</p>
<p>B1</p>  <p>Leg (Right Back) - 1pc</p>	<p>C</p>  <p>Divider leg (Front) - 1pc</p>	<p>C1</p>  <p>Divider leg (Back) - 1pc</p>
<p>D</p>  <p>Upper (Left Back) - 1pc</p>	<p>D1</p>  <p>Upper (Left Front) - 1pc</p>	<p>D2</p>  <p>Upper (Right) - 2pcs</p>
<p>E</p>  <p>Upper horizontal bar - 1pc</p>	<p>E1</p>  <p>Upper Vertical bar (Front) - 1pc</p>	<p>E2</p>  <p>Upper Vertical bar (Back) - 1pc</p>
<p>F</p>  <p>Horizontal bar - 9pcs</p>	<p>G</p>  <p>Horizontal bar - 6pcs</p>	<p>H</p>  <p>Shelf panel (Right) - 3pcs</p>
<p>J</p>  <p>Upper horizontal bar - 2pcs</p>	<p>K</p>  <p>Lower horizontal bar (Back) - 1pc</p>	<p>L</p>  <p>Shelf panel (Left) - 1pc</p>

Hardware List

1  Ø8*30mm Wood dowel (22pcs)	2  (Ø15)1/4"*80mm Hex-Head bolts (18pcs)	3  (Ø12)1/4"*70mm Hex-Head bolts (18pcs)
4  1/4"*15 (9.5mm) Horizontal-Hole bolts(36pcs)	5  (Ø12)1/4"*65mm Hex-Head bolts (10pcs)	6  (Ø12)1/4"*40mm Hex-Head bolts (16pcs)
7  (1/4")4.5*58mm Allen key (1pc)	8  300*5mm Cabletie (2pcs)	9  26*13*1.2mm Metal bracket (4pcs)
10  Ø4*38mm Wood screws (2pcs)	11  Ø3.5*19mm Wood screws (2pcs)	12  Ø9*32mm Plastic anchor (2pcs)

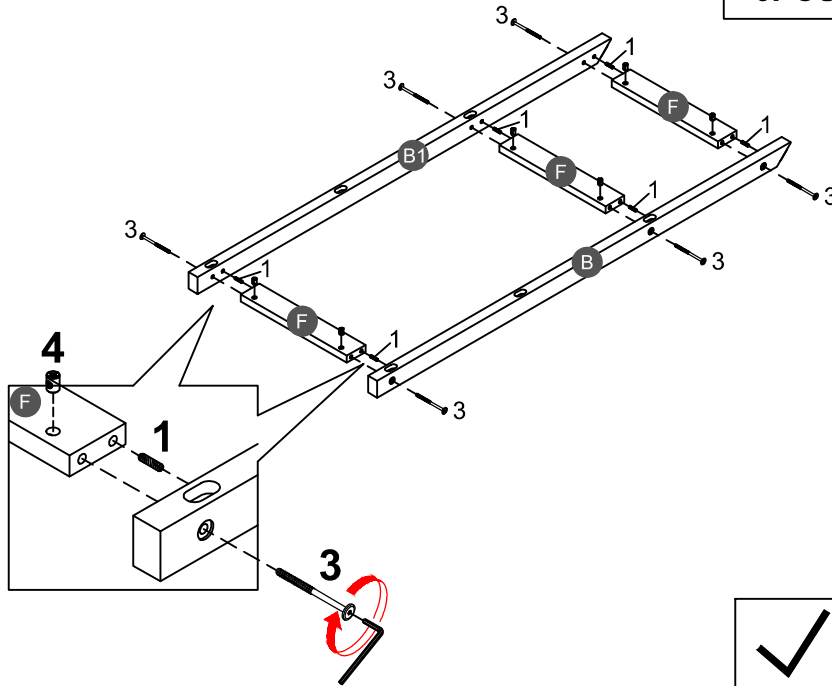
ASSEMBLY TOOLS REQUIRED (NOT INCLUDED)



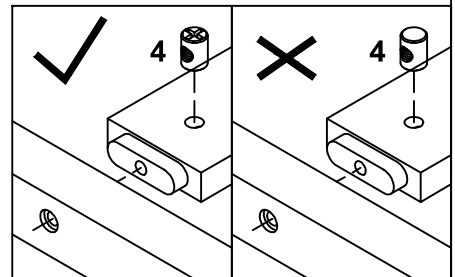
PLEASE BE CAREFUL DO NOT DAMAGE THE HOLE POSITION WHEN YOU USE POWER TOOLS !

STEP 1:

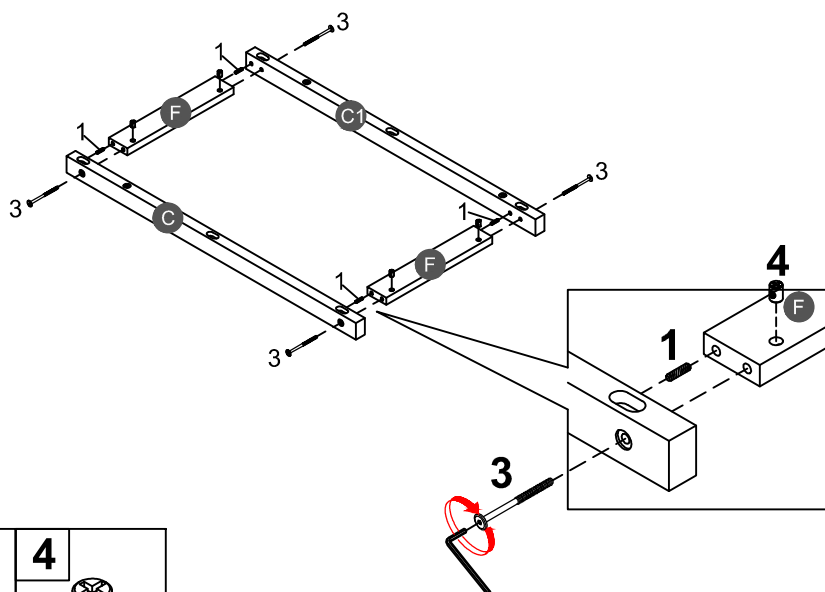
1		3		4	
6PCS		6PCS		6PCS	



Note: Part 4 will face up with the "x" mark on it, otherwise it cannot be tightened

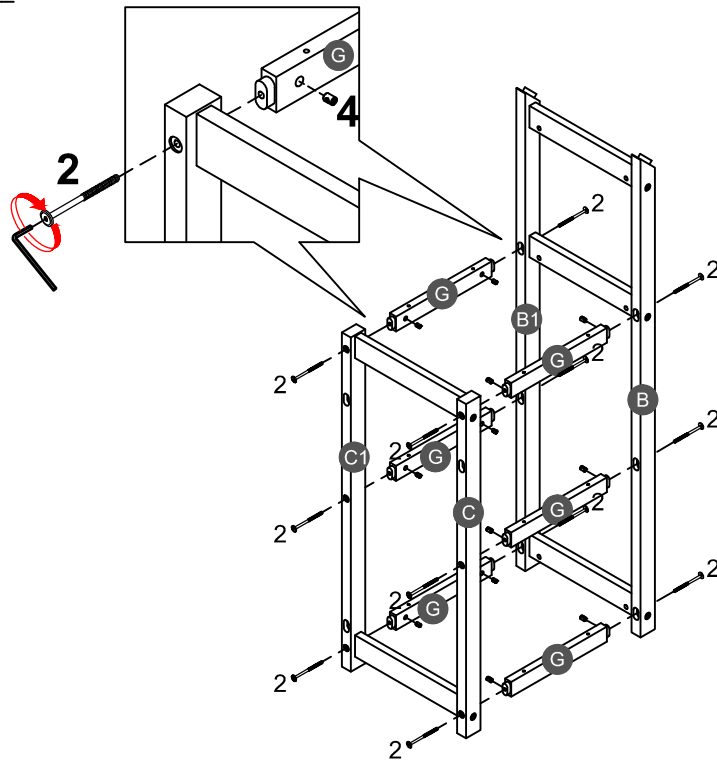




STEP 2:



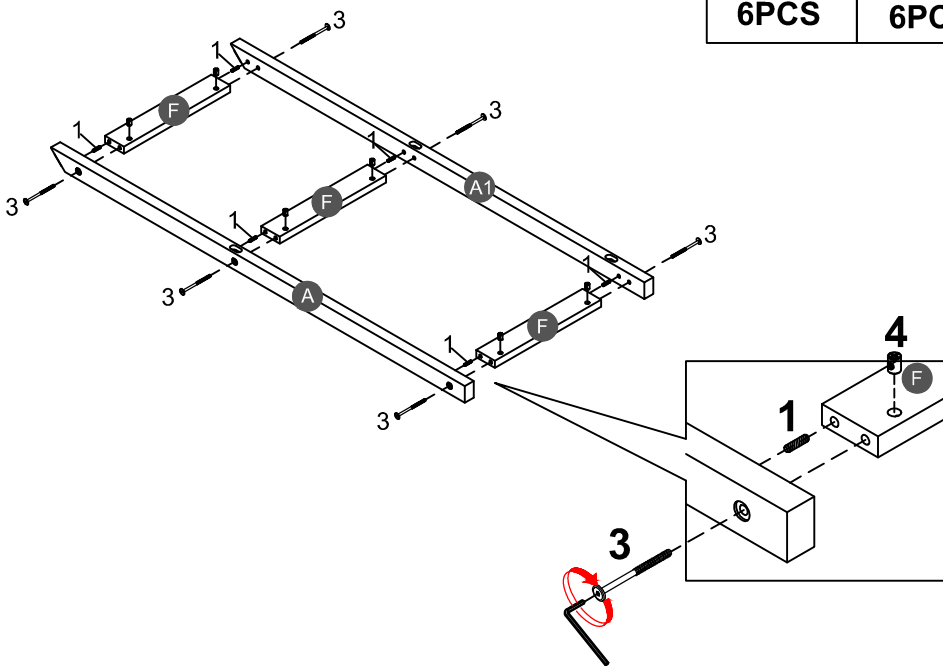
1		3		4	
4PCS		4PCS		4PCS	




STEP 3:



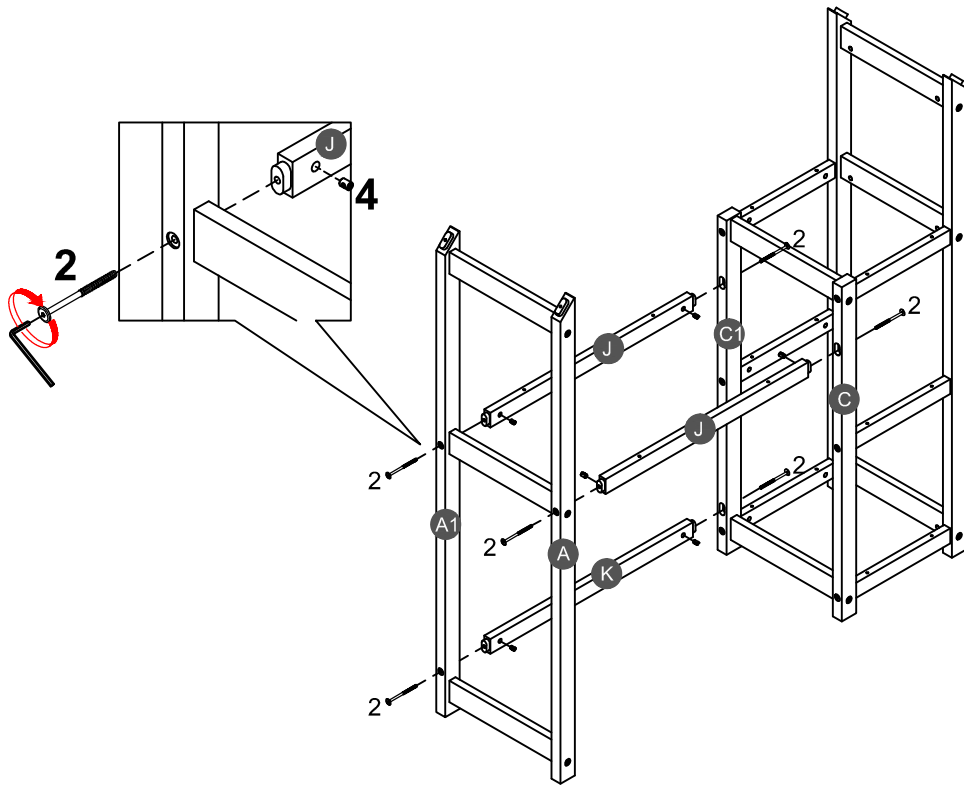
2		4	
12PCS		12PCS	



STEP 4:



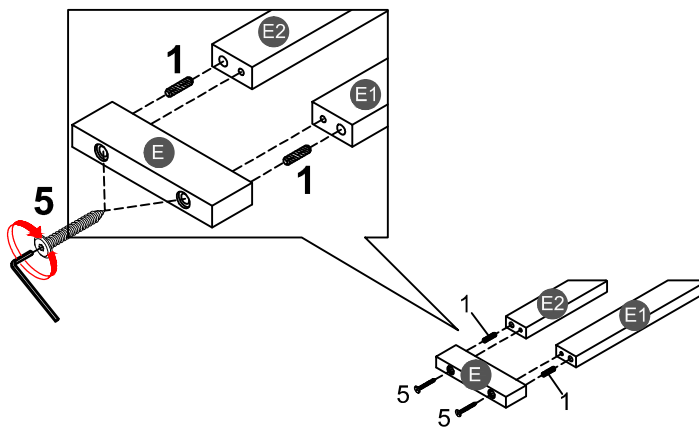
1		3		4	
6PCS		6PCS		6PCS	



STEP 5:



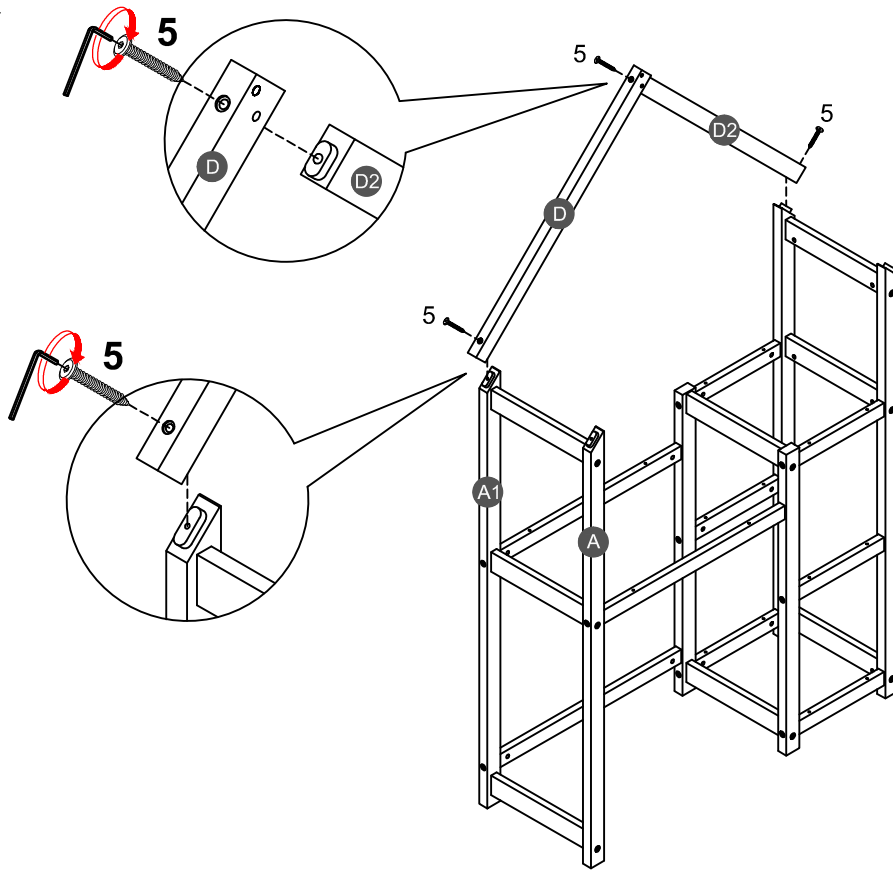
2		4	
6PCS		6PCS	


STEP 6:



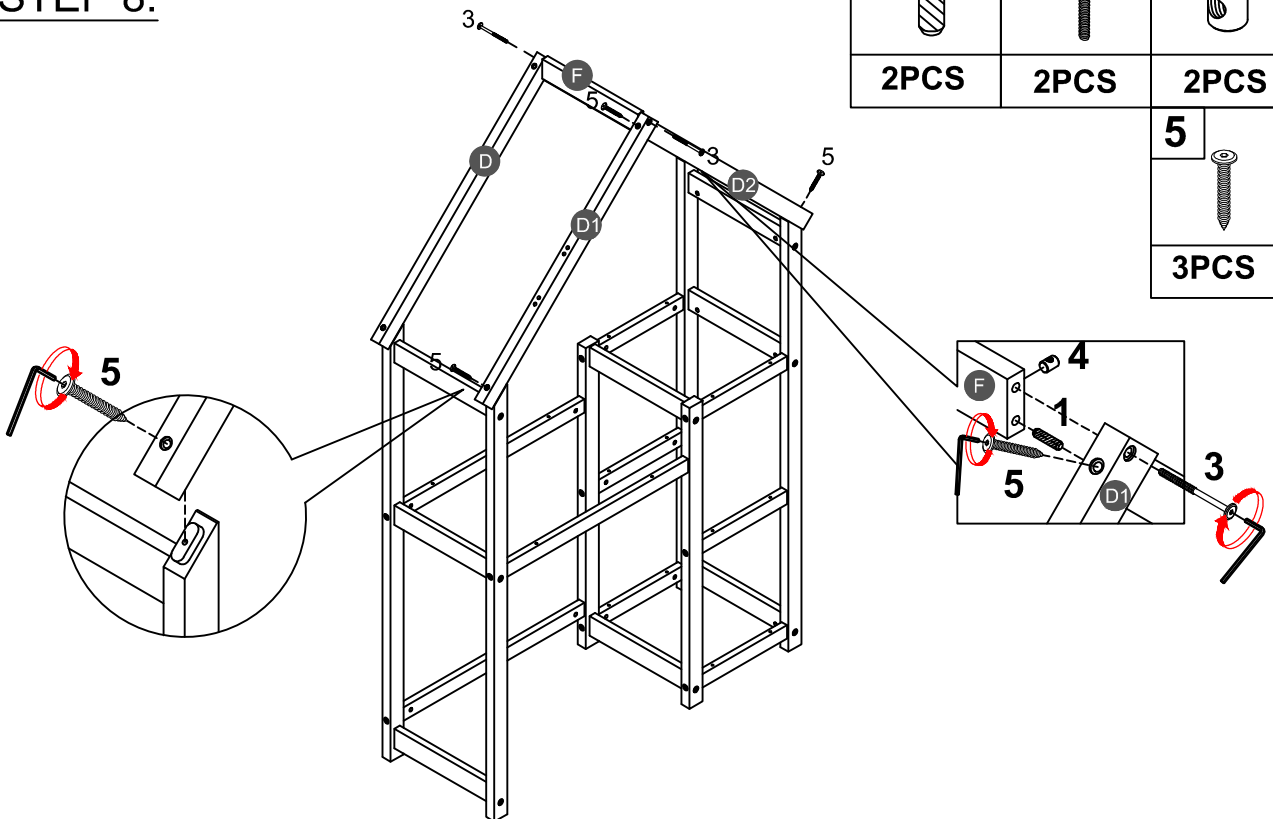
1		5	
2PCS		2PCS	





STEP 7:





5	
3PCS	

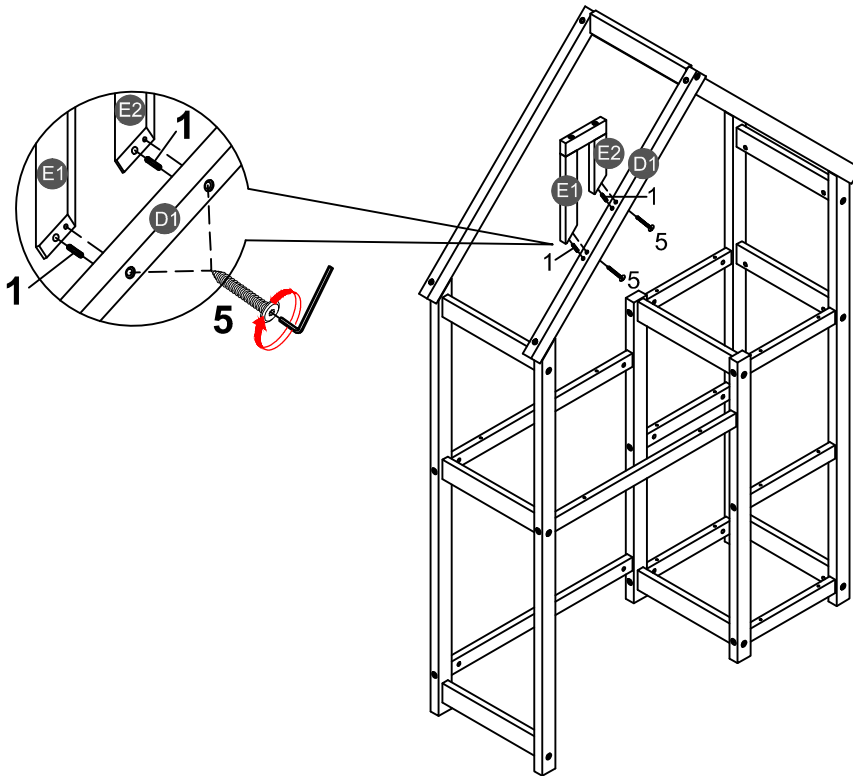
STEP 8:




1		3		4	
2PCS		2PCS		2PCS	
5					
					
3PCS					

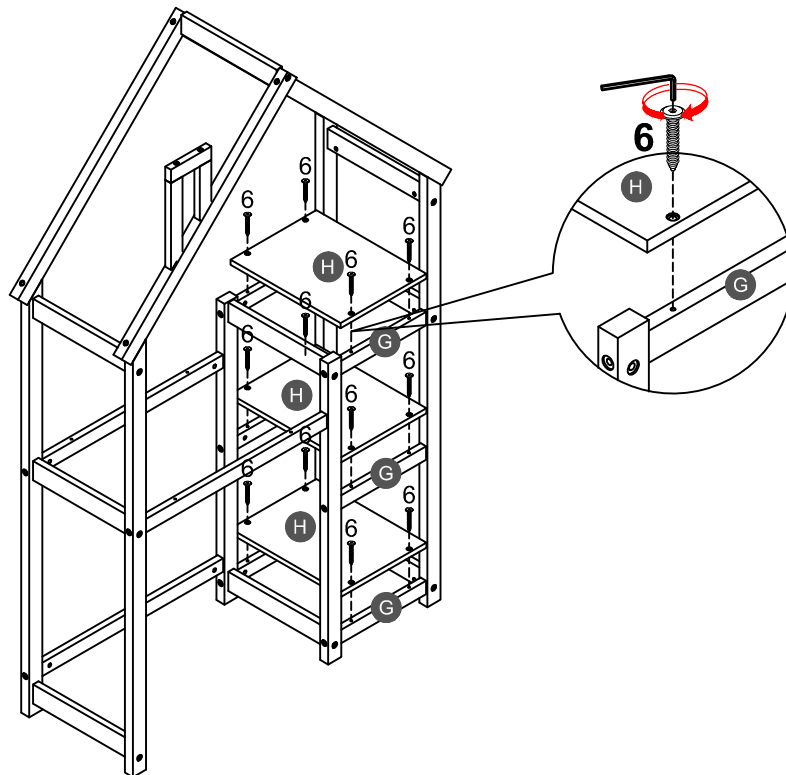
STEP 9:

1		5	
2PCS		2PCS	



STEP 10:

6	
12PCS	

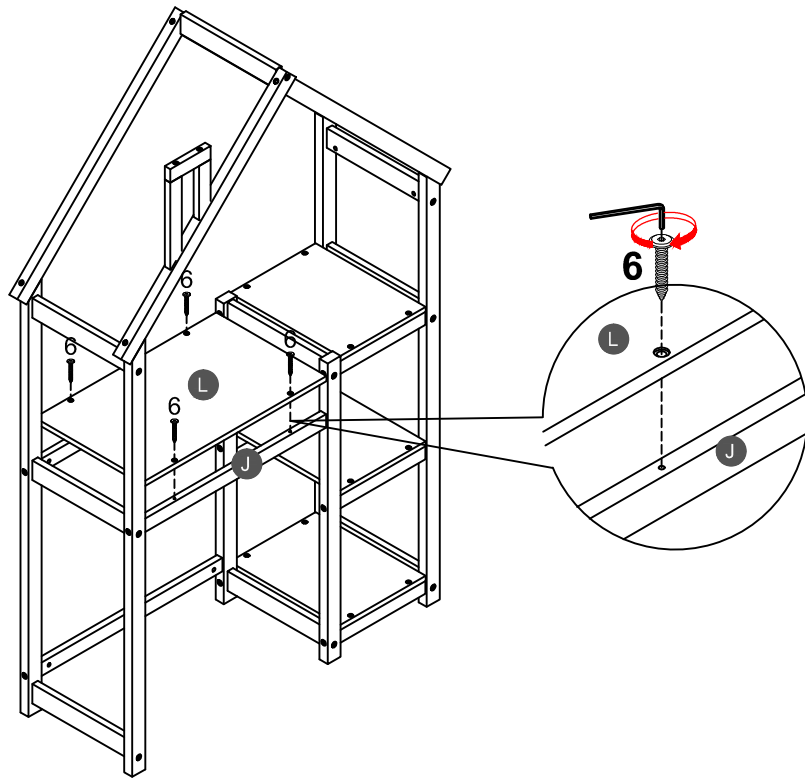


STEP 11:

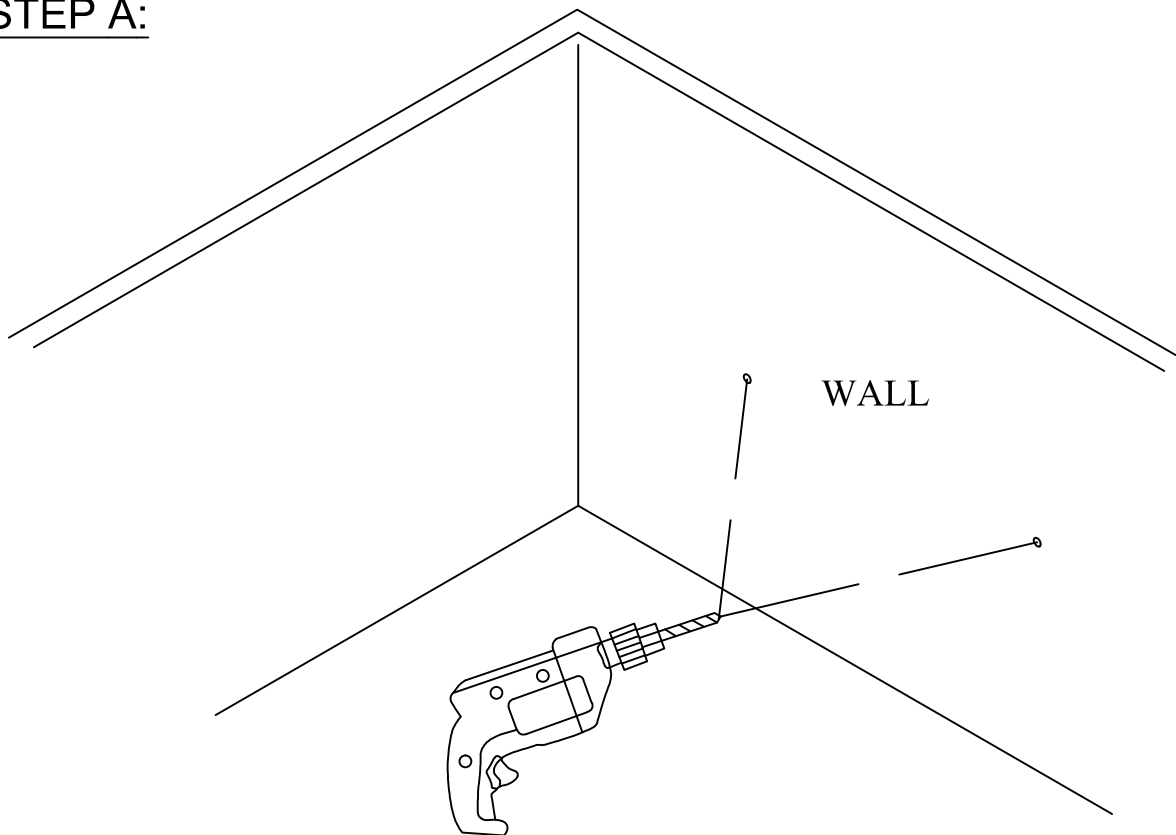
6



4PCS

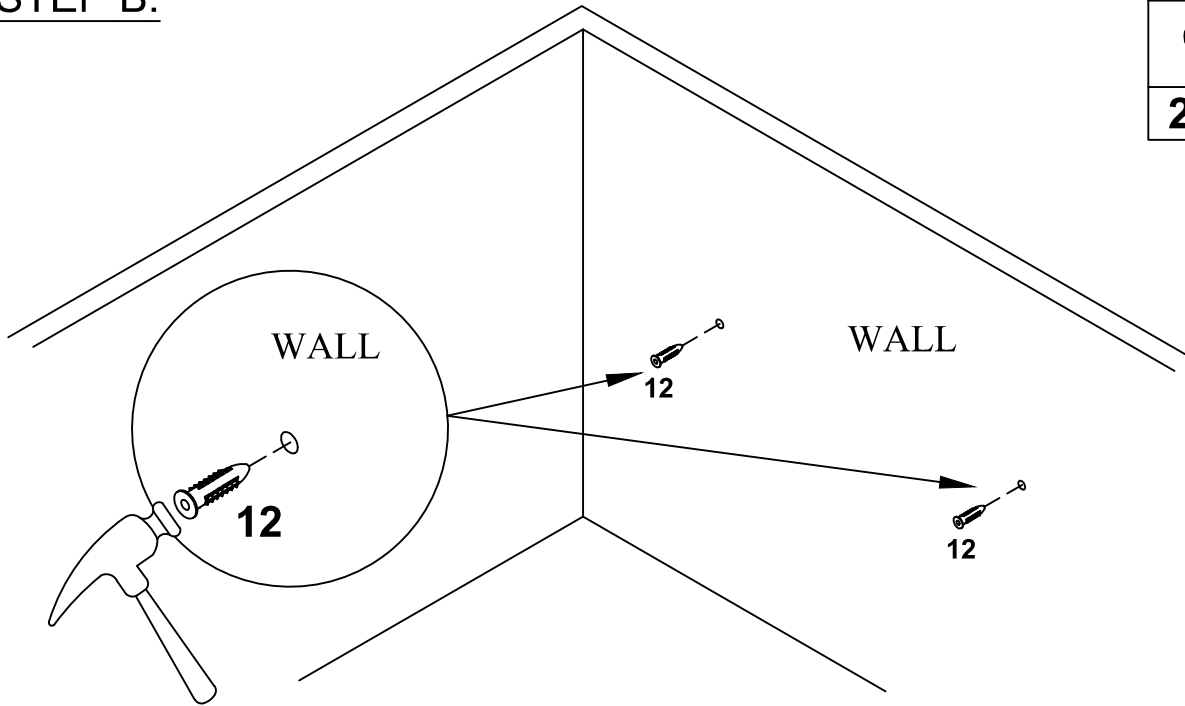



STEP A:



Drill holes in the wall.

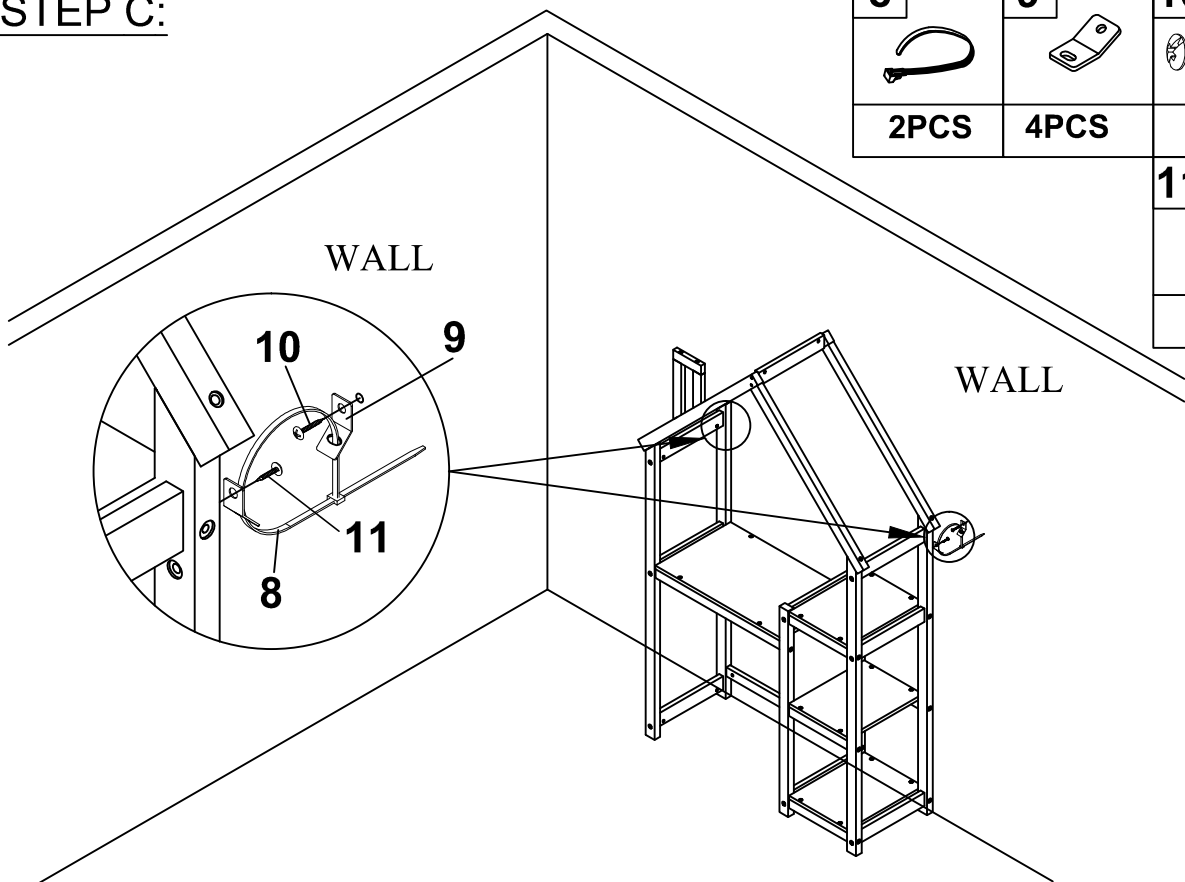
STEP B:



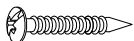



12

2PCS

Tap plastic anchor in with a hammer or mallet.

STEP C:



8	9	10
		
2PCS	4PCS	2PCS
11		
		
2PCS		

If you would like to use the left and right shelves separately, please make sure to lock the anti-dumping hardware to ensure safety.