

ASSEMBLY INSTRUCTIONS



Fine Furniture for every stage of life

Queen Bed

ASSEMBLY INSTRUCTIONS

ASSEMBLY TIPS:

1. Remove hardware from box and sort by size.
2. Please check to see that all hardware and parts are present prior to start of assembly.
3. Please follow attached instructions in the same sequence as numbered to assure fast & easy assembly.



WARNING!

1. Don't attempt to repair or modify parts that are broken or defective. Please contact the store immediately.
2. This product is for home use only and not intended for commercial establishments.



ASSEMBLY TIME

20 MINUTES

PARTS IDENTIFICATION

B1 (BOX 1)

A HEADBOARD PANEL  1PC

B LEFT HEADBOARD LEG  1PC

B2 (BOX 2)

D FOOTBOARD  1PC

E BED SLAT  4PCS

B3 (BOX 3)

G BED RAIL  2PCS

HB *FROM BOX 1 HEADBOARD COMPLETE  1PC

C RIGHT HEADBOARD LEG  1PC

F BED SLAT SUPPORT WITH LEVELER  4PCS

D *FROM BOX 2 FOOTBOARD  1PC

NOTE:

Phillips head screw driver is required in the assembly process; however, manufacturer does not provide this item.

ASSEMBLY INSTRUCTIONS

ASSEMBLY TIPS:

1. Remove hardware from box and sort by size.
2. Please check to see that all hardware and parts are present prior to start of assembly.
3. Please follow attached instructions in the same sequence as numbered to assure fast & easy assembly.







WARNING!





1. Don't attempt to repair or modify parts that are broken or defective. Please contact the store immediately.
2. This product is for home use only and not intended for commercial establishment.

HARDWARE IDENTIFICATION

BOX 1 - HARDWARE PACK

1	LONG BOLT (M6 x 35mm - BLK)		8PCS
2	LOCK WASHER (M8 - BLK)		8PCS
3	BIG FLAT WASHER (M8 x 18mm - BLK)		8PCS
4	SMALL ALLEN WRENCH (M4 x 65mm - BLK)		1PC

BOX 2 - HARDWARE PACK

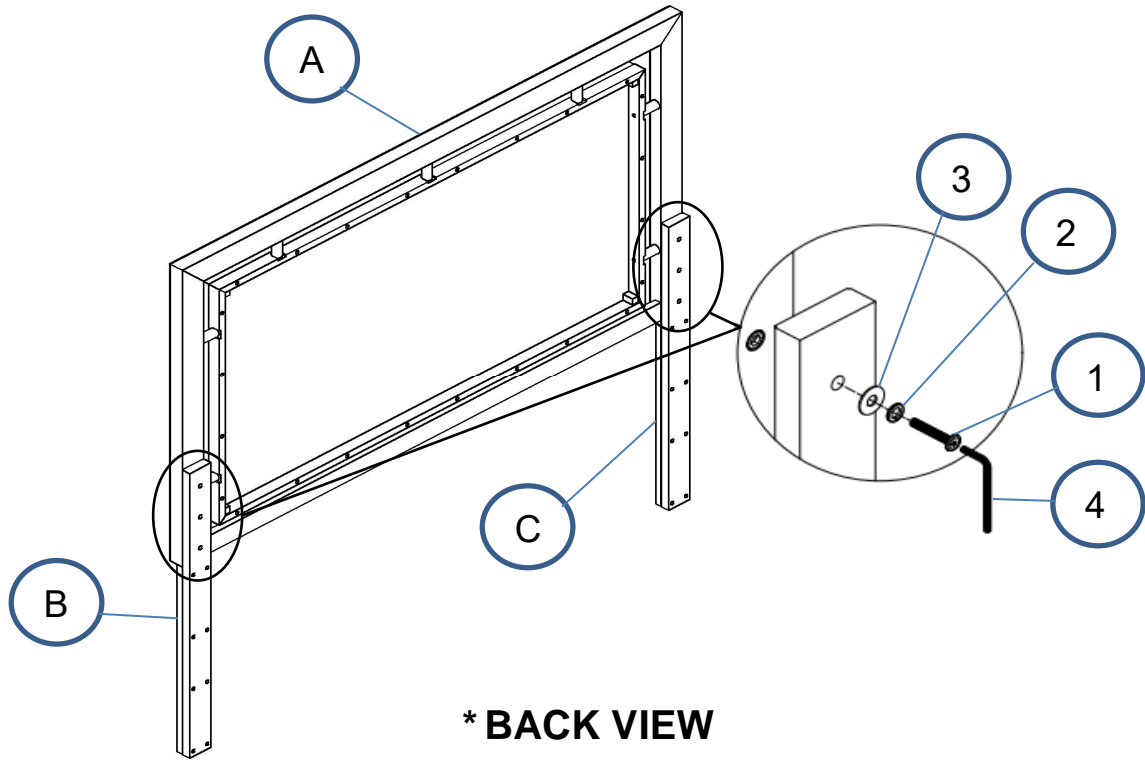
5	SHORT BOLT (M8 x 20mm - RBW)		8PCS
6	BIG FLAT WASHER (M8 x 18mm - RBW)		8PCS
7	BIG ALLEN WRENCH (M5 x 65mm - BLK)		1PC
8	PAN HEAD SCREW (M4 x 32mm - BLK)		8PCS

NOTE:

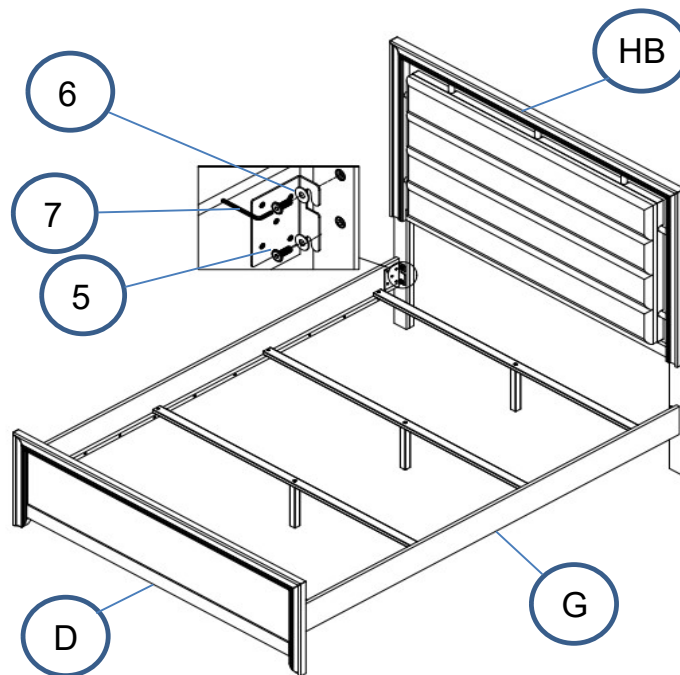
Phillips head screw driver is required in the assembly process; however, manufacturer does not provide this item.

ASSEMBLY INSTRUCTIONS

STEP 1

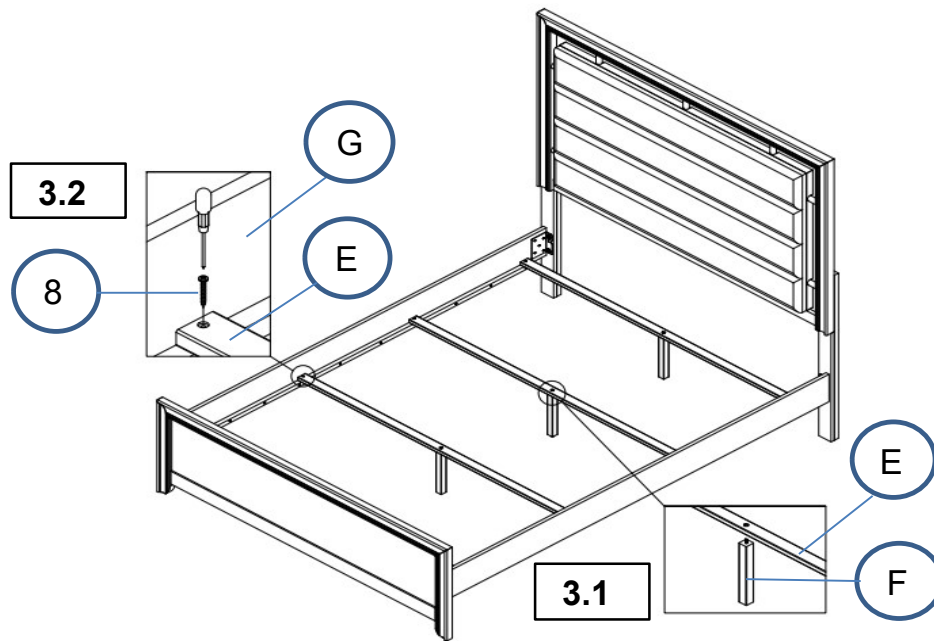


STEP 2

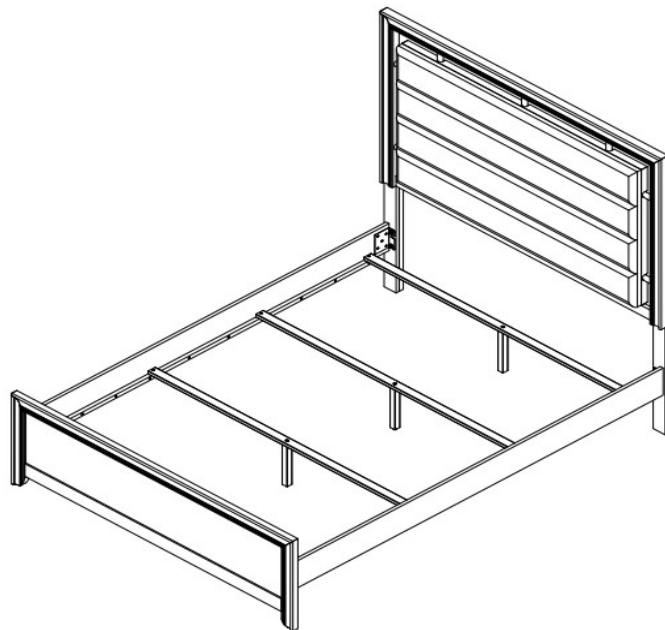


ASSEMBLY INSTRUCTIONS

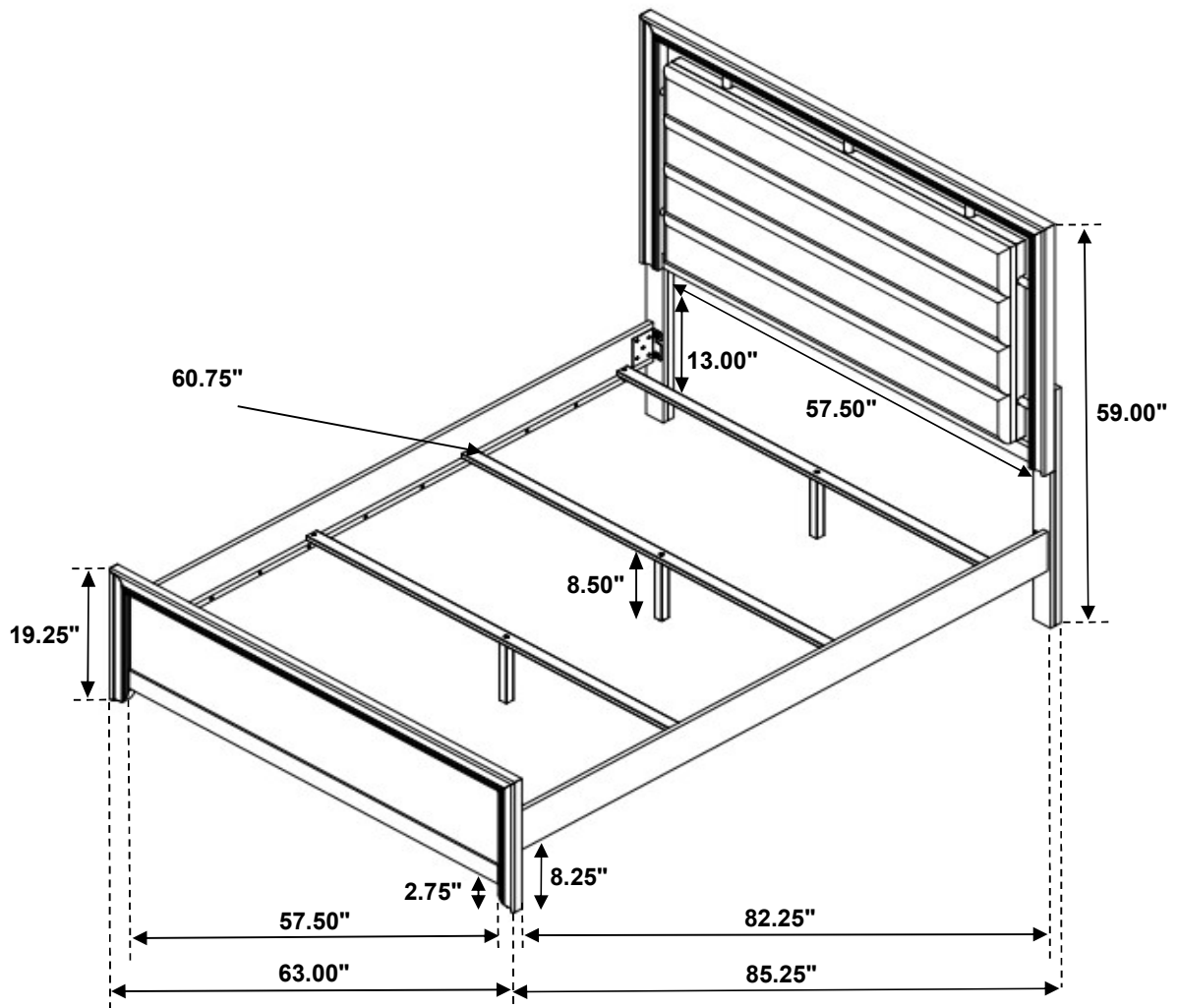
STEP 3



STEP 4 COMPLETE



Inner Size : 60.75"W x 79.75"D



Note: Dimension tolerance $\pm 5\%$