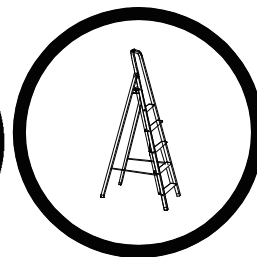
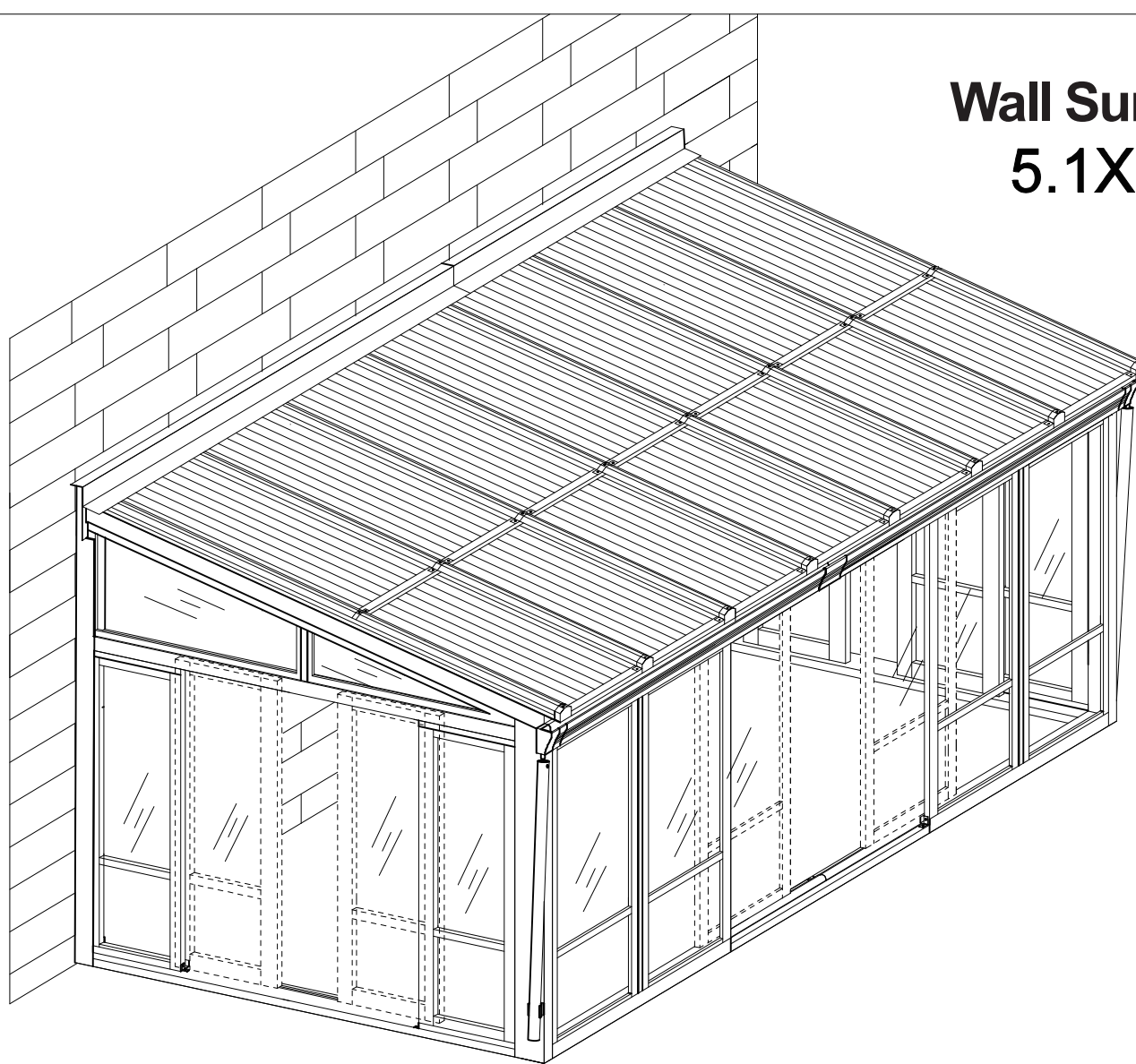
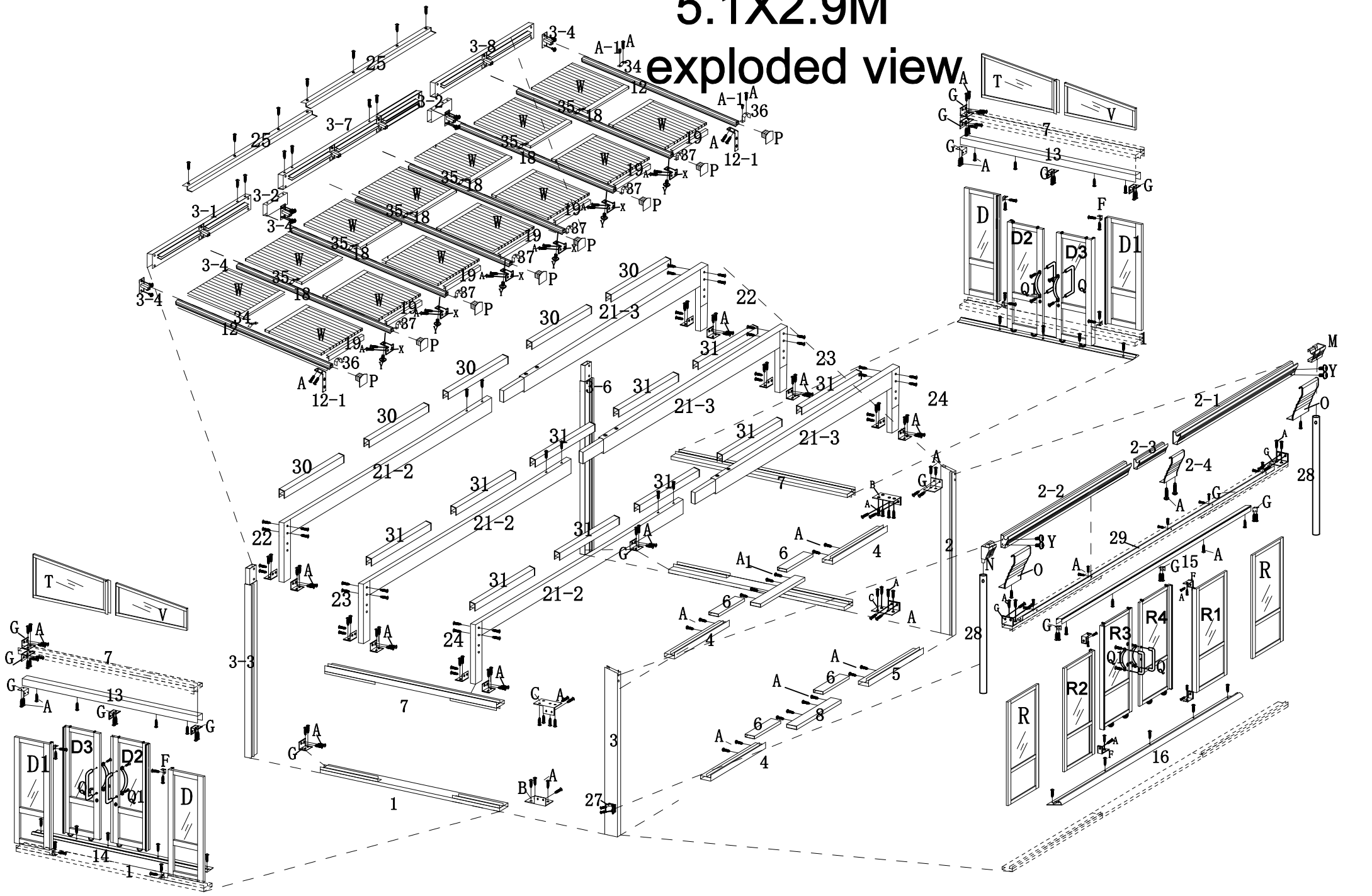




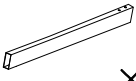
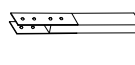
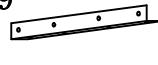


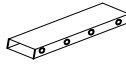
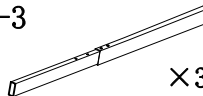
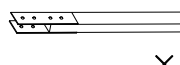
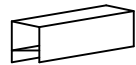





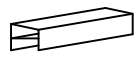

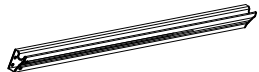
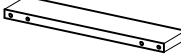
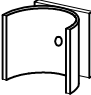


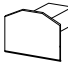
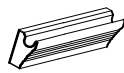


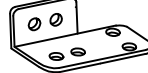
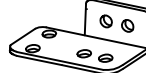
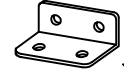

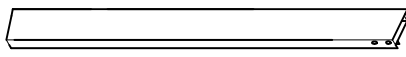
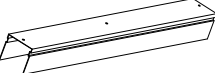

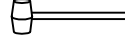
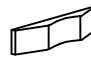
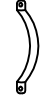
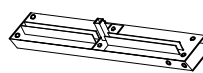
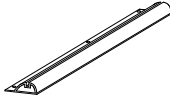

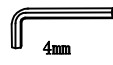

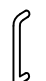
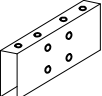
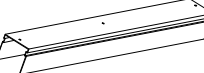


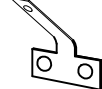
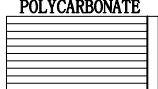

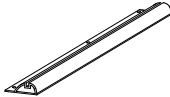
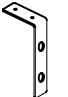

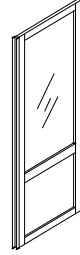
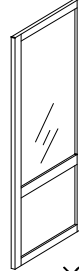

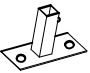


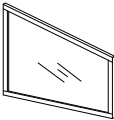
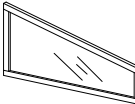


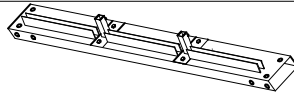
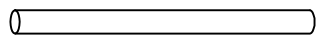
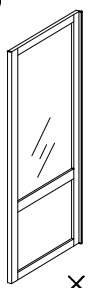
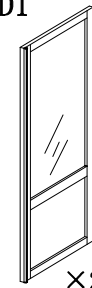
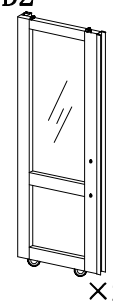
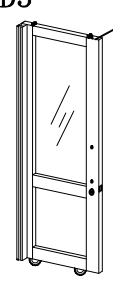
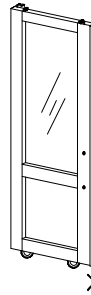
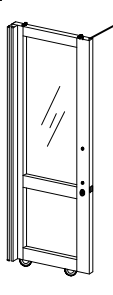
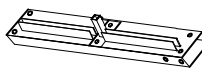





Wall Sun Room 5.1X2.9M

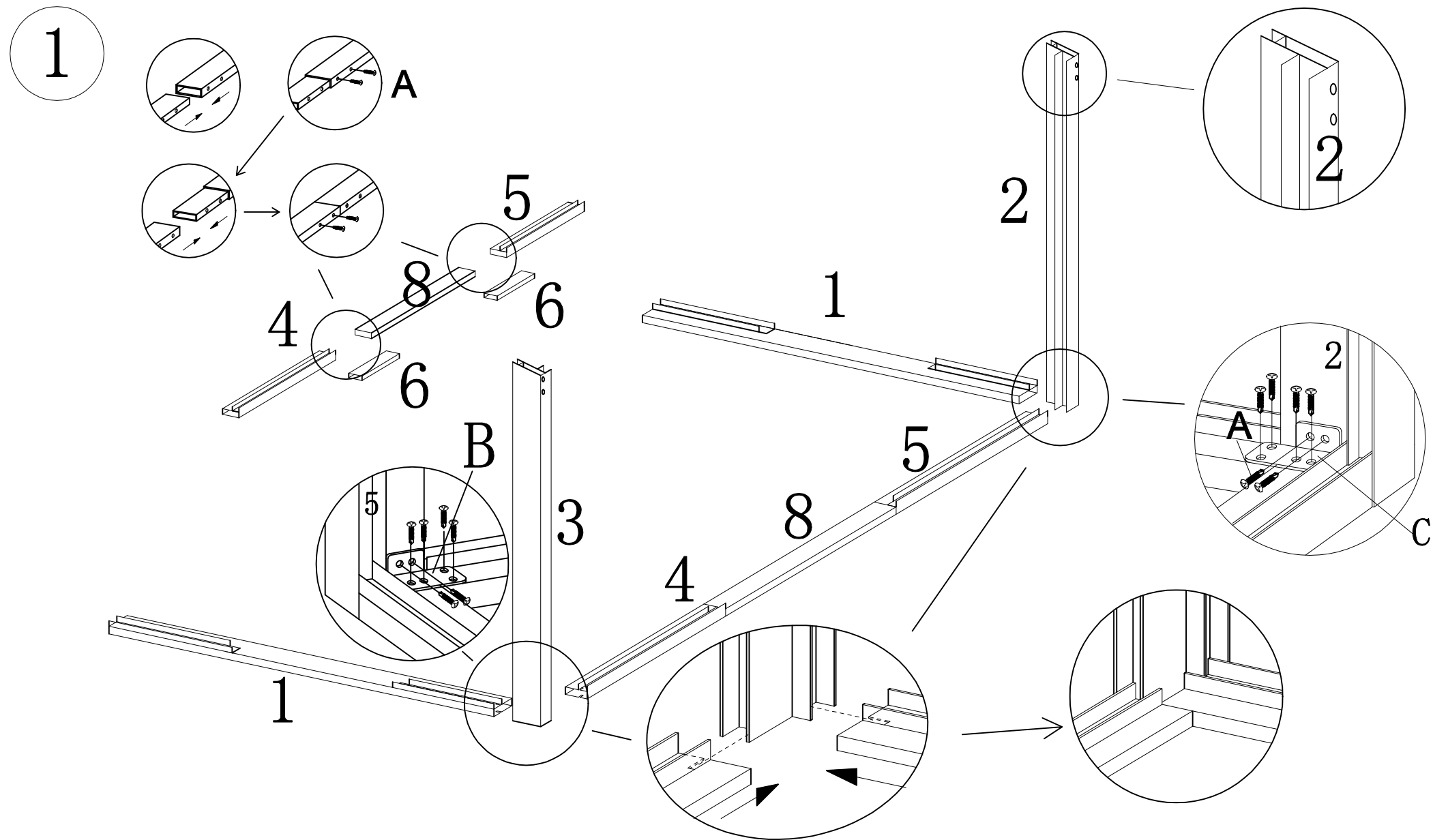


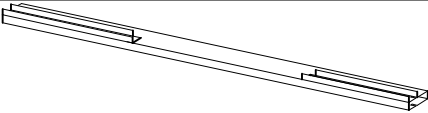
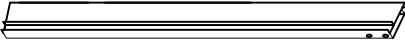
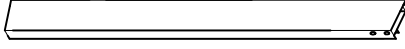
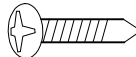
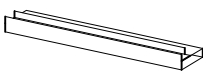

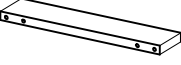
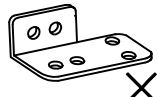
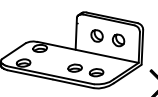

5.1X2.9M

exploded view

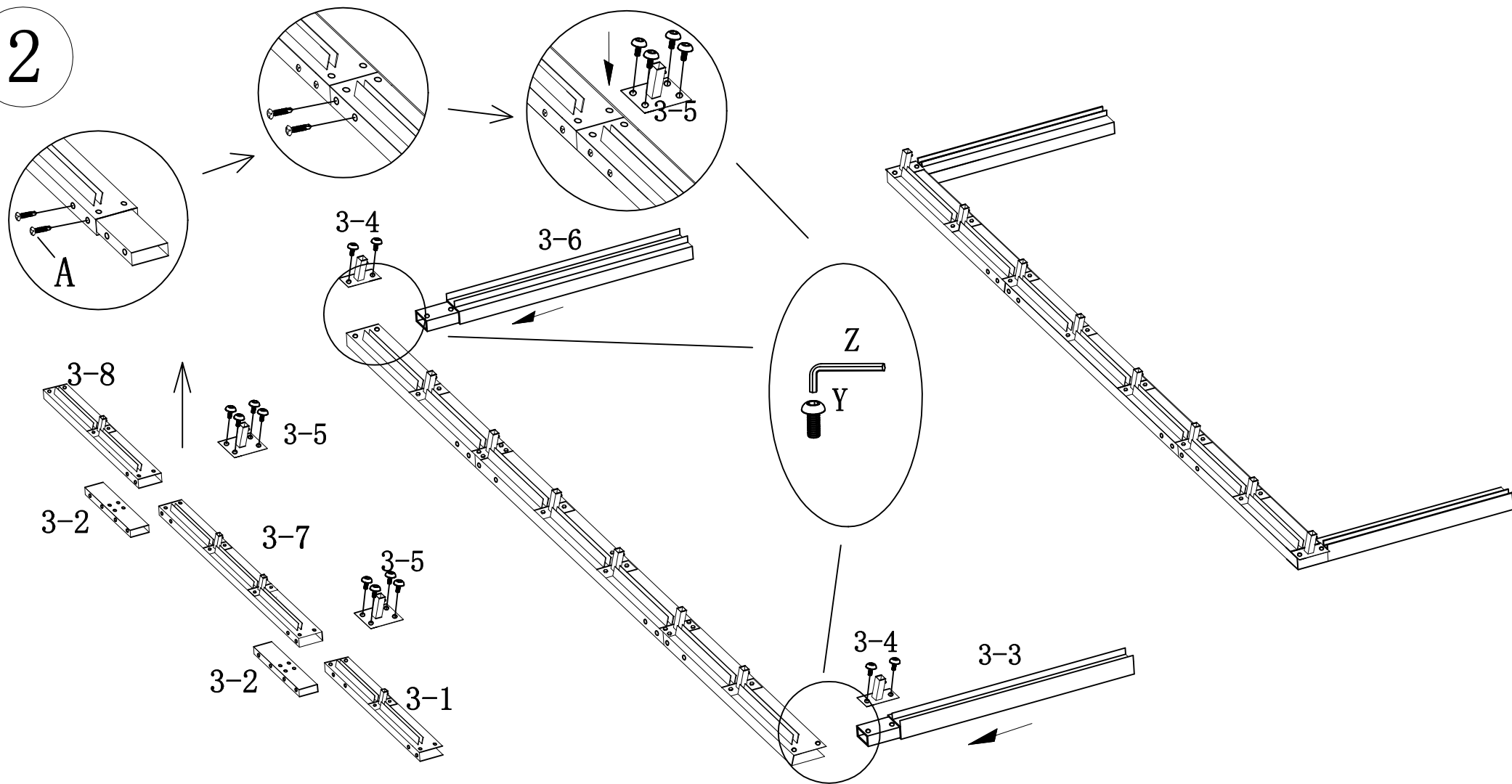


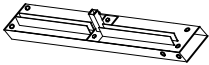



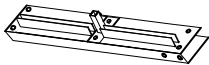
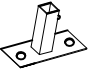
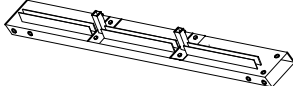
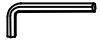
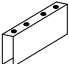
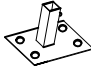

1  ×2	5  ×2	21-2  ×3	23  ×2	29  ×2	M  ×1			
2  ×1	6  ×4	21-3  ×3	24  ×2	30  ×7	N  ×1			
2-1  ×1	7  ×2	22  ×2	25  ×2	31  ×14	O  ×2			
2-2  ×1	8  ×2	27  ×2	H  ×3	A  ×320	P  ×8			
2-3  ×1	2-4  ×1	12  ×2	B  ×2	C  ×2	G  ×29	F  ×12		
3  ×1	13  ×2	I  ×10	J  ×1	K  ×6	Q1  ×6			
3-1  ×1	14  ×2	Y  ×22	Z  ×2	26  ×60M	Q  ×6			
3-2  ×2	15  ×2	33  5M ×1	32  ×50	X  ×6	W  POLYCARBONATE ×14			
3-3  ×1	16  ×2	12-1  ×2	A-1  ×28	R  ×2	R1  ×1	R2  ×1		
3-4  ×2	3-5  ×2	18  ×6	T  ×2	V  ×2				
3-6  ×1	19  ×7							
3-7  ×1	28  ×2		D  ×2	D1  ×2	D2  ×2	D3  ×2	R3  ×1	R4  ×1
3-8  ×1	34  ×2	35  ×6						
4  ×2	36  ×2	37  ×6						



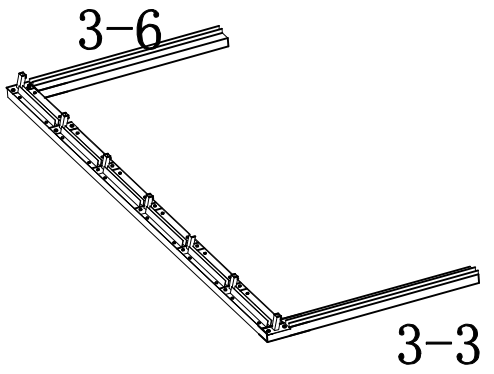
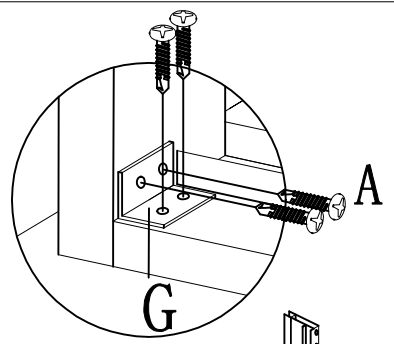
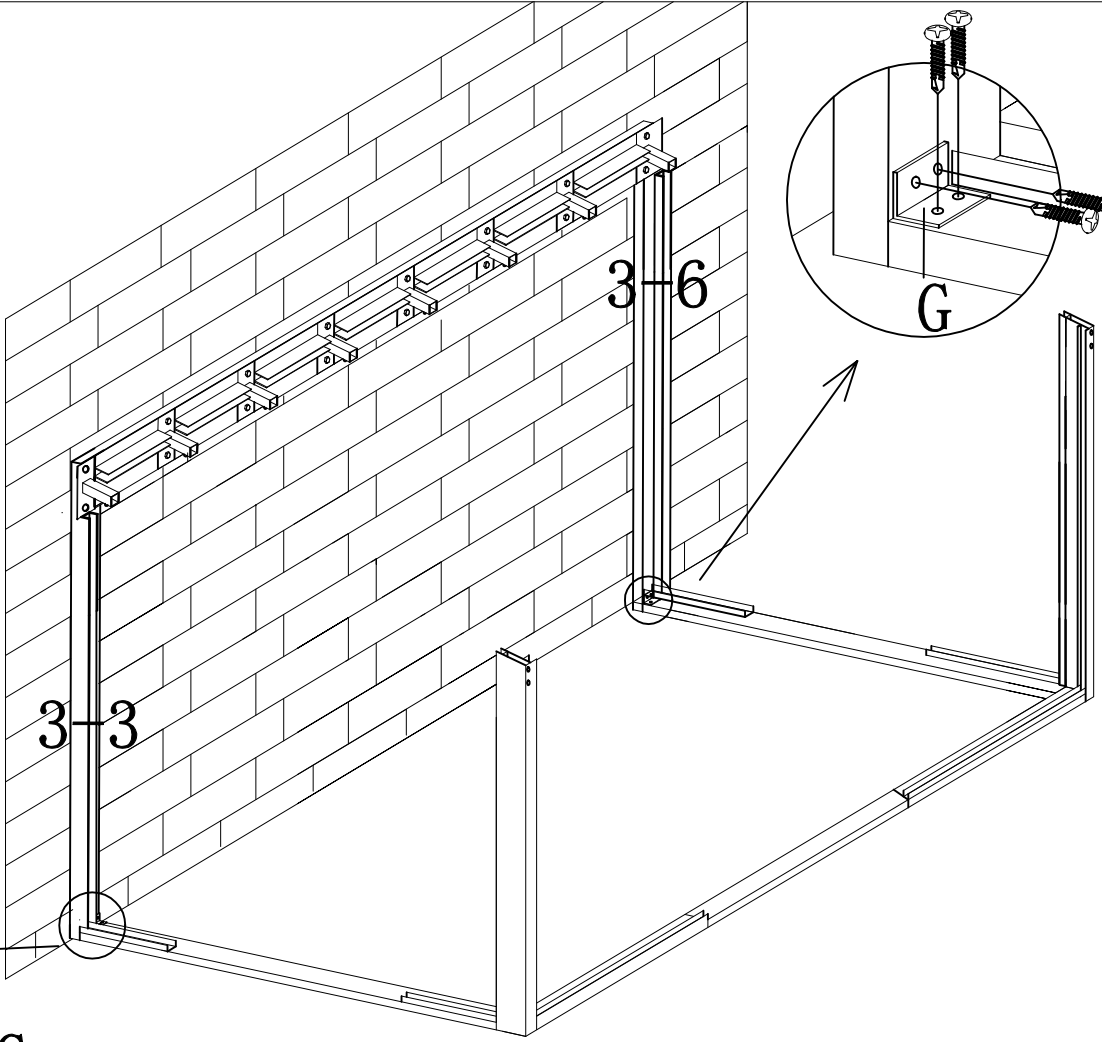
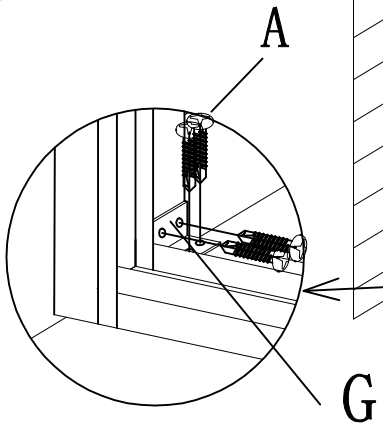
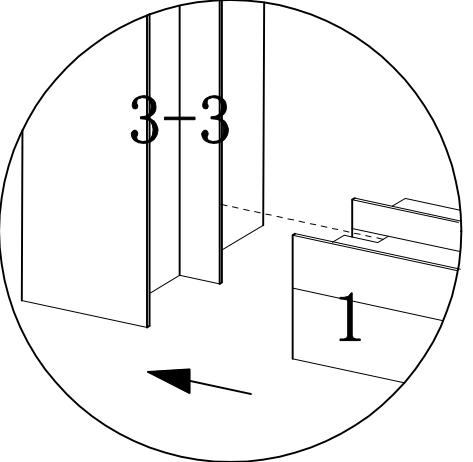
<p>1  ×2</p>	<p>2  ×1</p>	<p>3  ×1</p>	<p>A  ×20</p>		
<p>4  ×1</p>	<p>5  ×1</p>	<p>8  ×1</p>	<p>B  ×1</p>	<p>C  ×1</p>	<p>6  ×2</p>

2

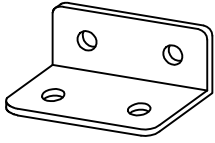


3-8		×1	3-3		×1	3-6		×1	A		×8
3-1		×1	3-4		×2	3-7		×1	Z		×2
3-2		×2	3-5		×2	Y		×12			

3

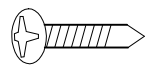


G



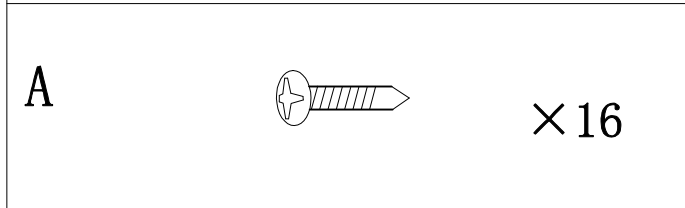
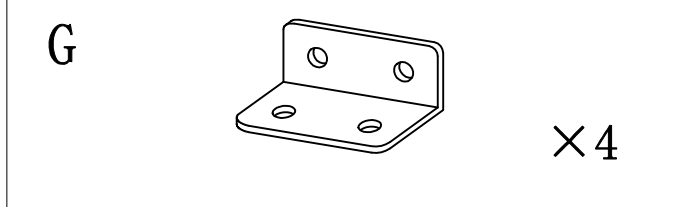
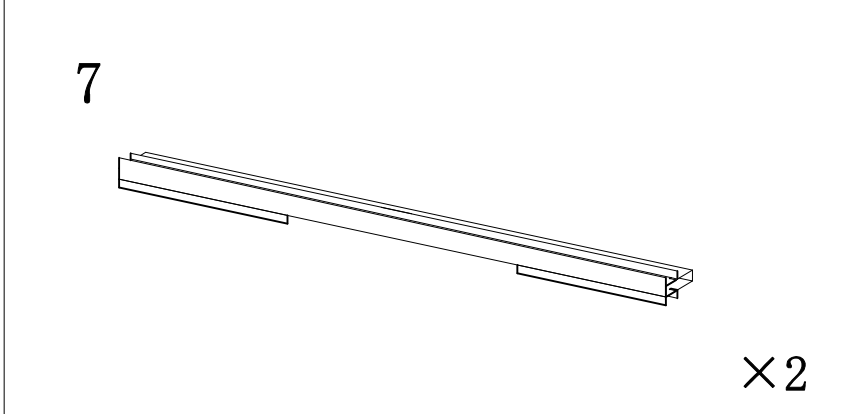
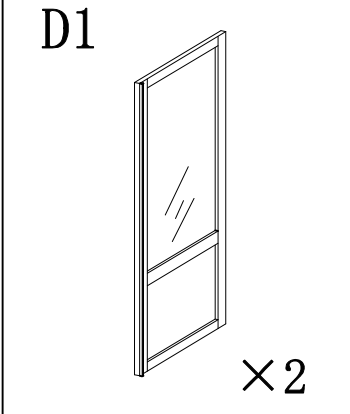
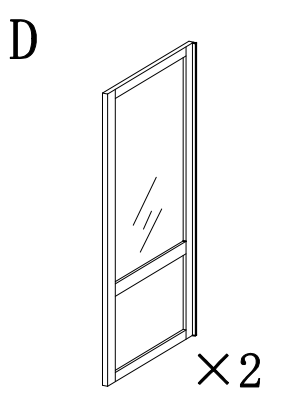
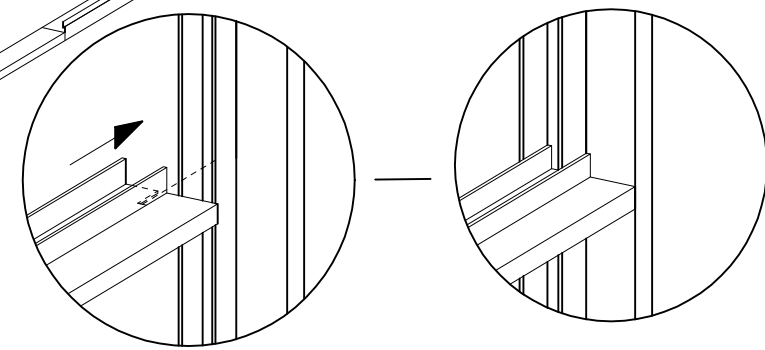
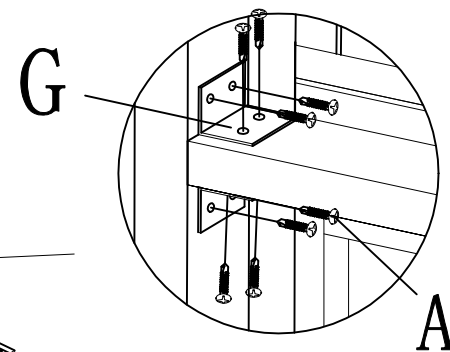
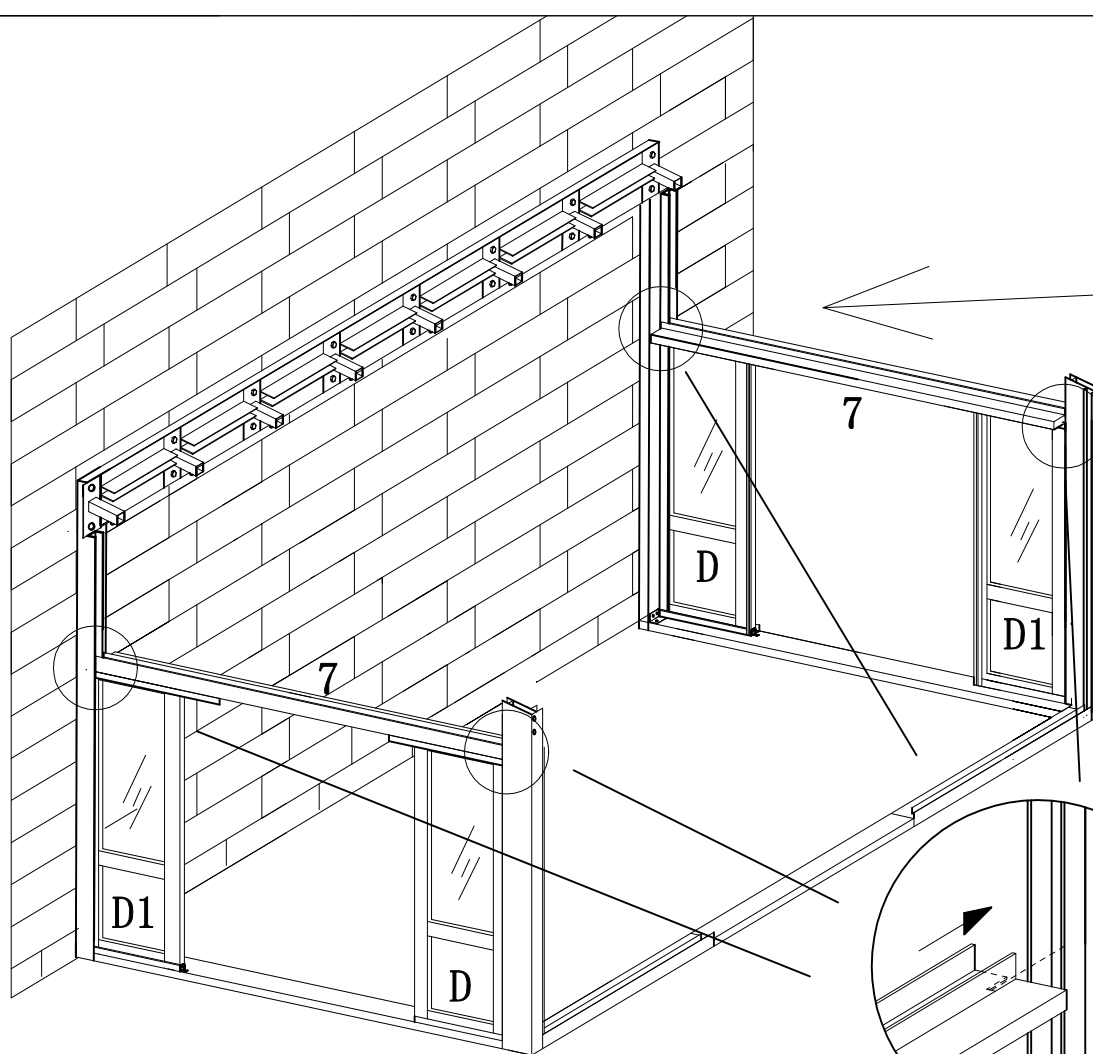
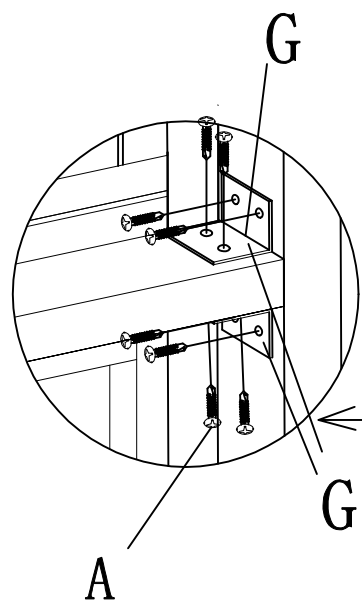
x2

A

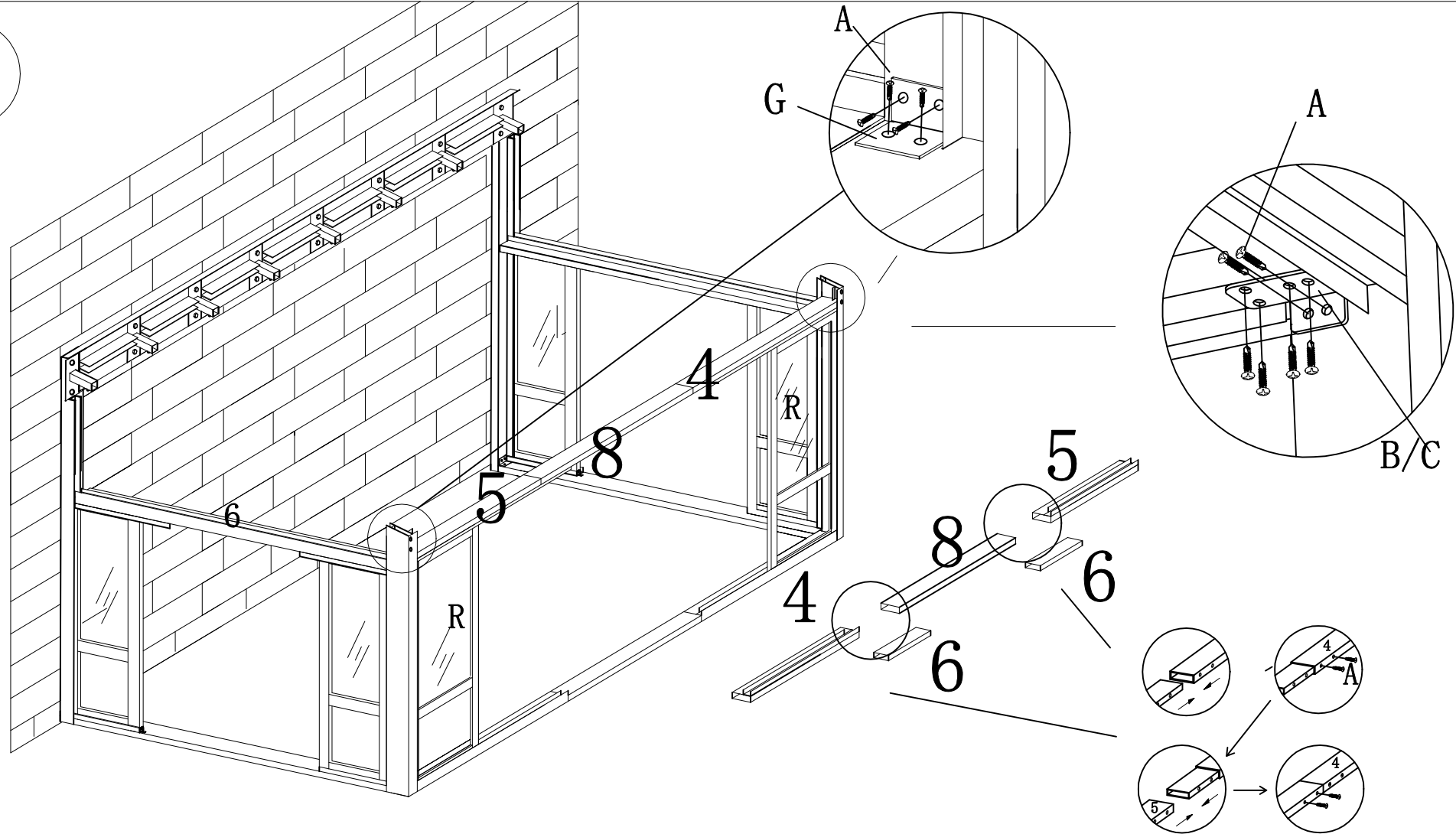


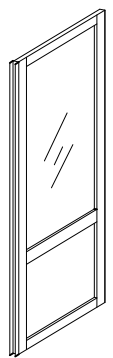


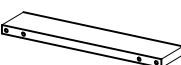
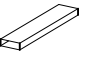
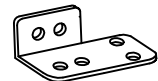
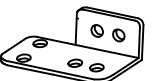
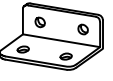
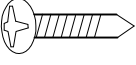
x8

4

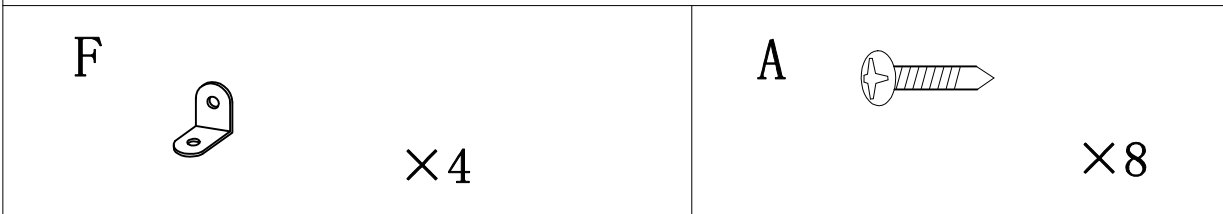
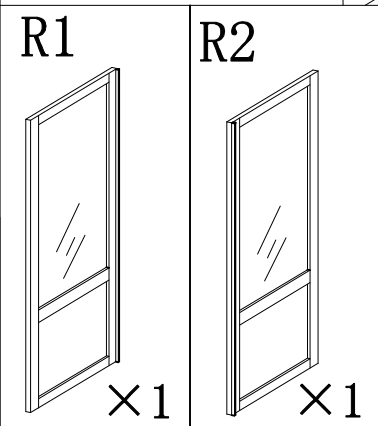
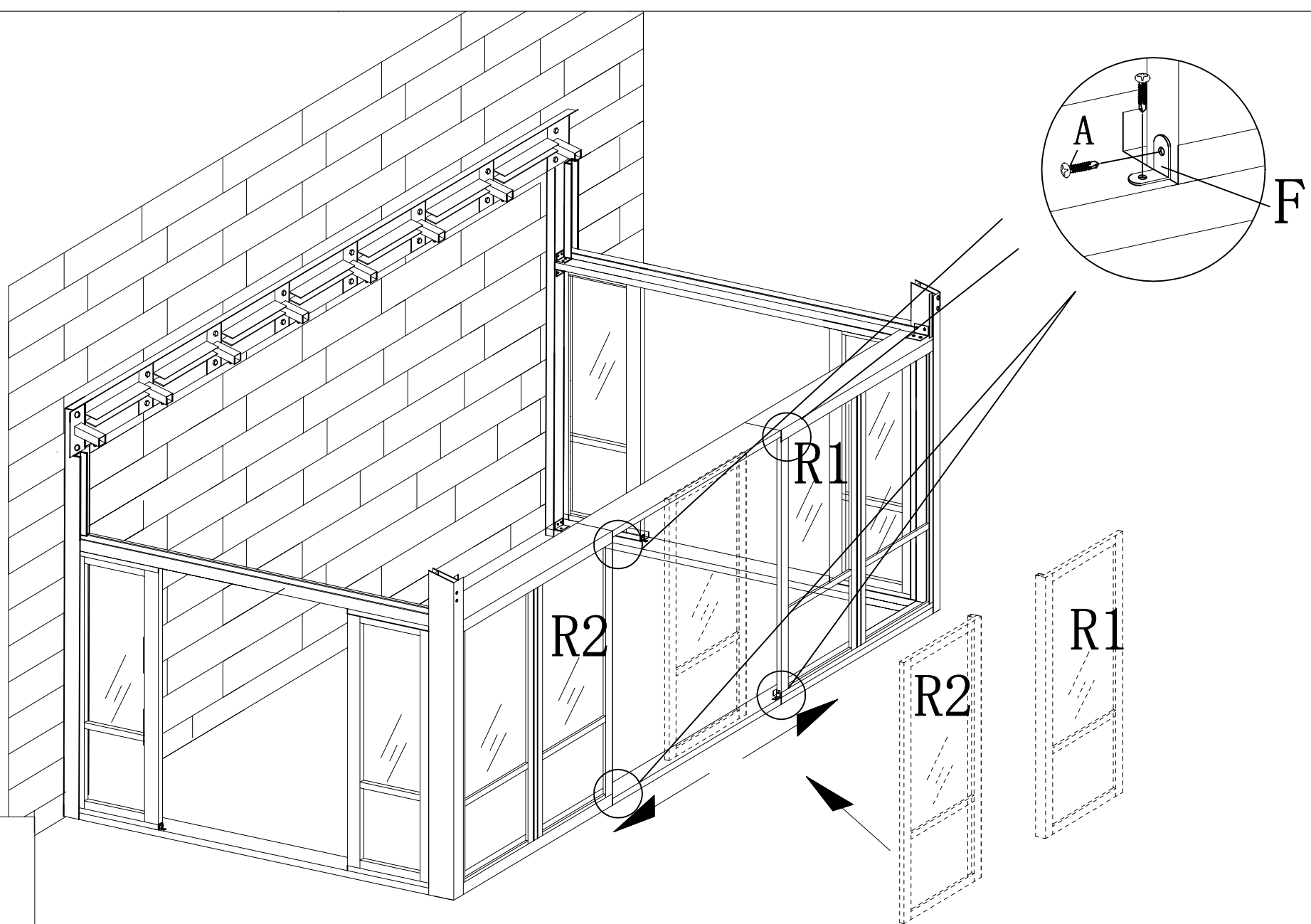


5

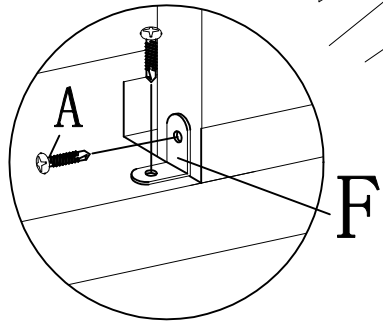
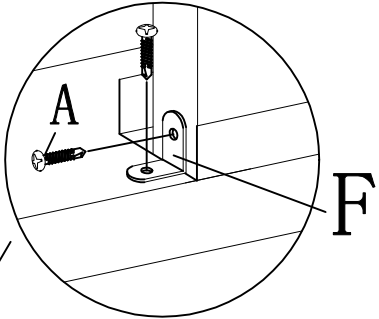
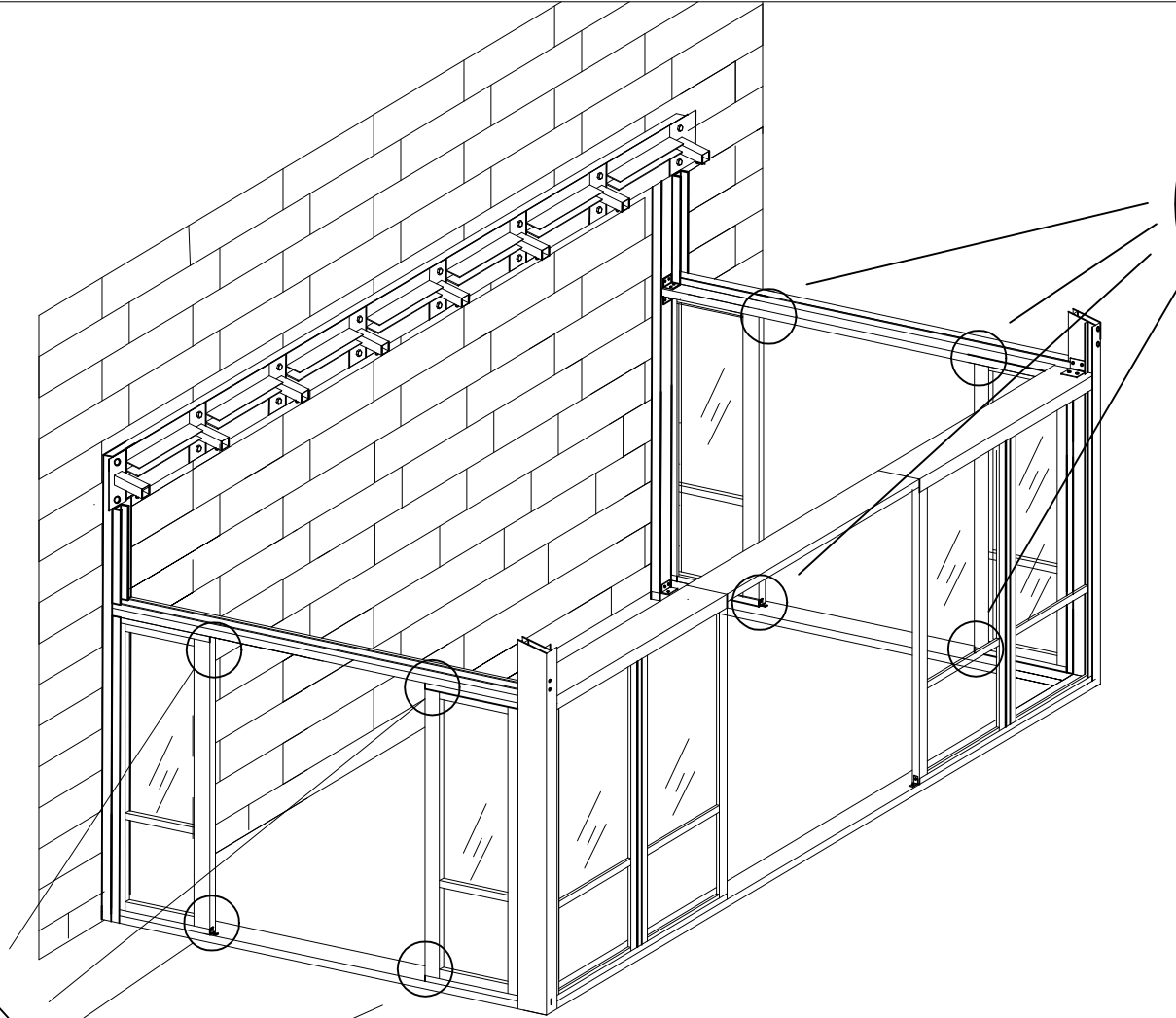


 <p>R</p> <p>×2</p>	 <p>4</p> <p>×1</p>	 <p>5</p> <p>×1</p>	 <p>8</p> <p>×1</p>	 <p>6</p> <p>×2</p>
	 <p>B</p> <p>×1</p>	 <p>C</p> <p>×1</p>	 <p>G</p> <p>×2</p>	 <p>A</p> <p>×28</p>

6



7

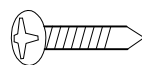


F



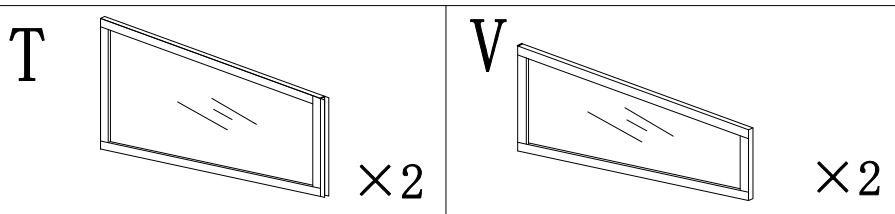
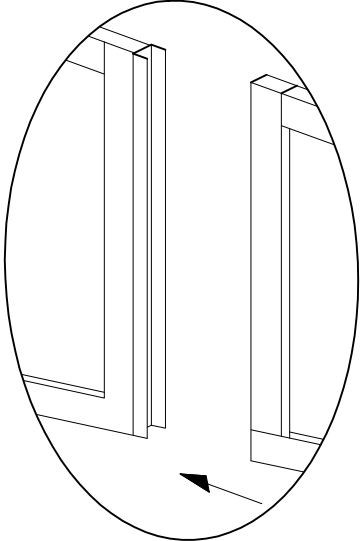
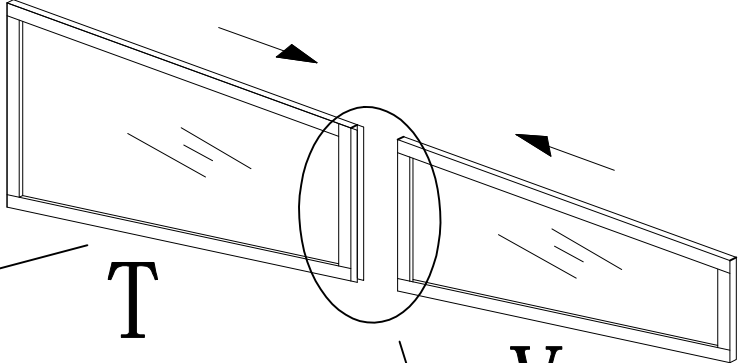
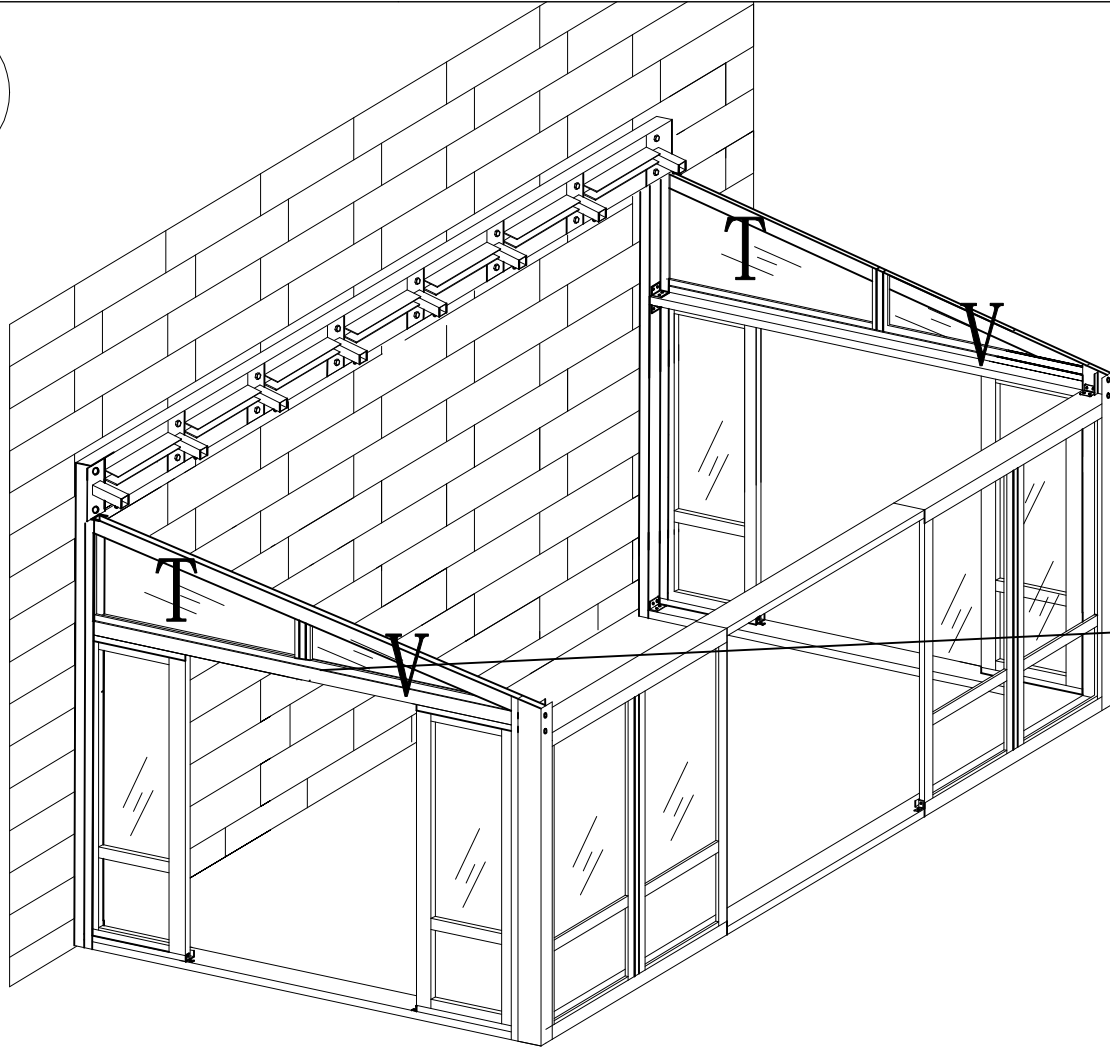
×8

A

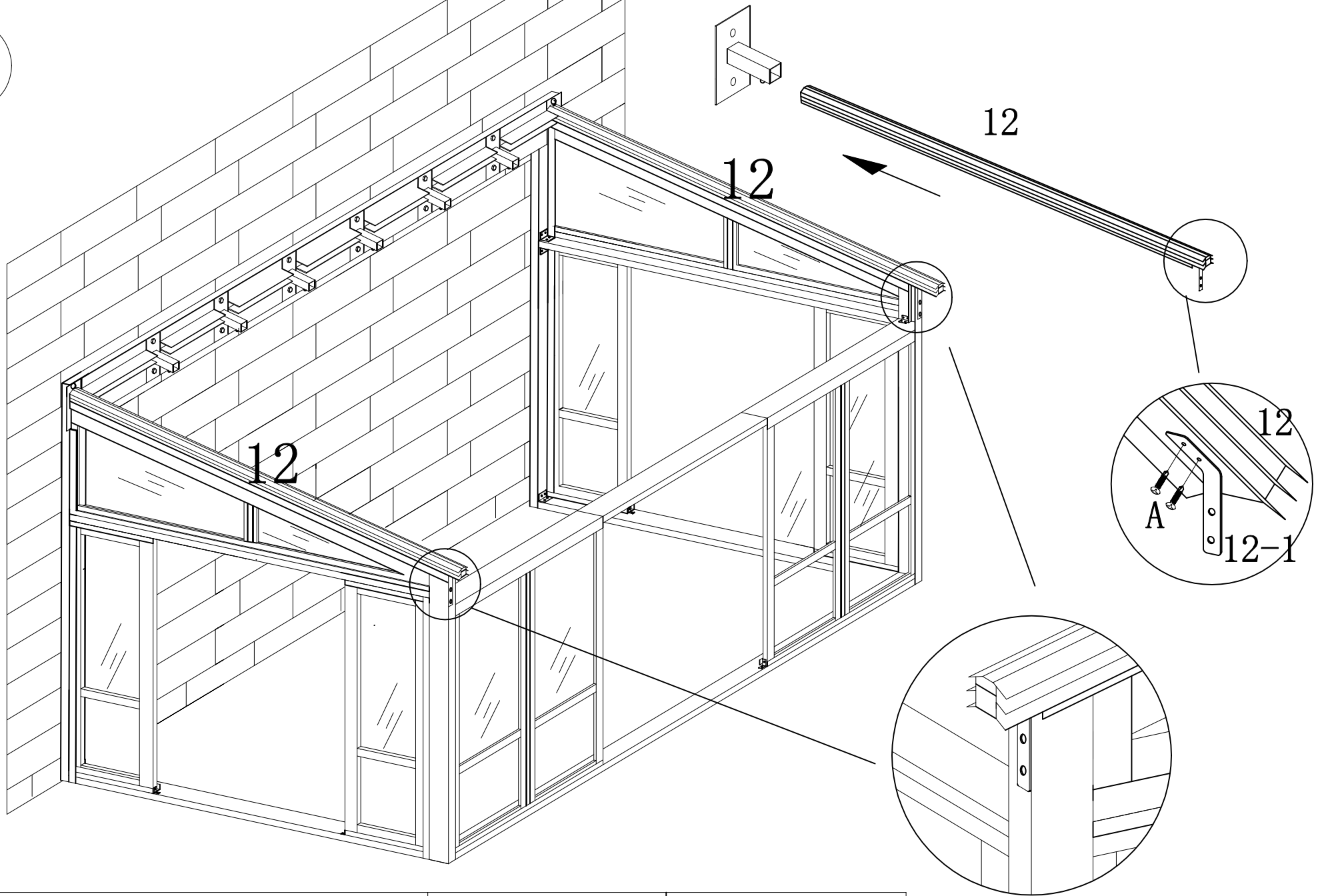


×16

8



9

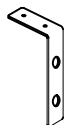


12



×2

12-1



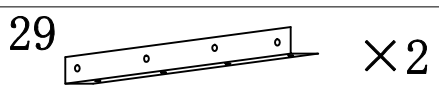
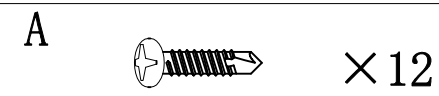
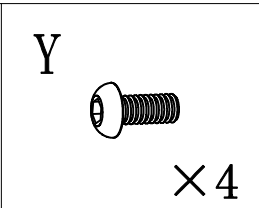
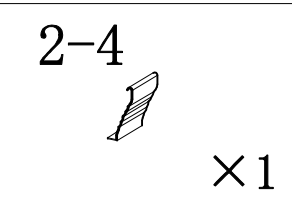
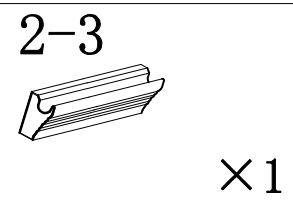
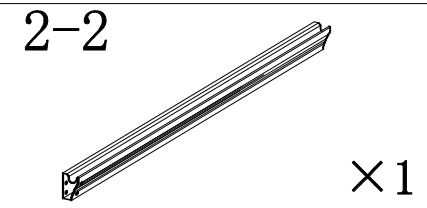
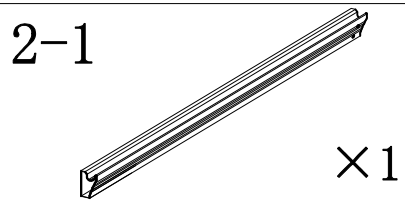
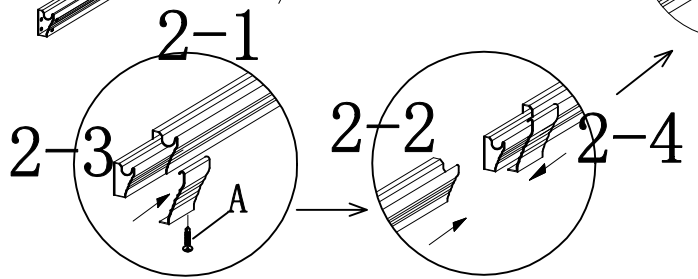
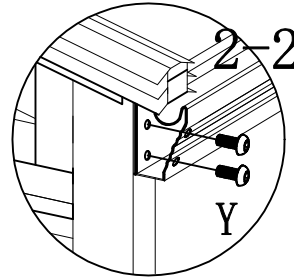
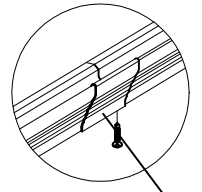
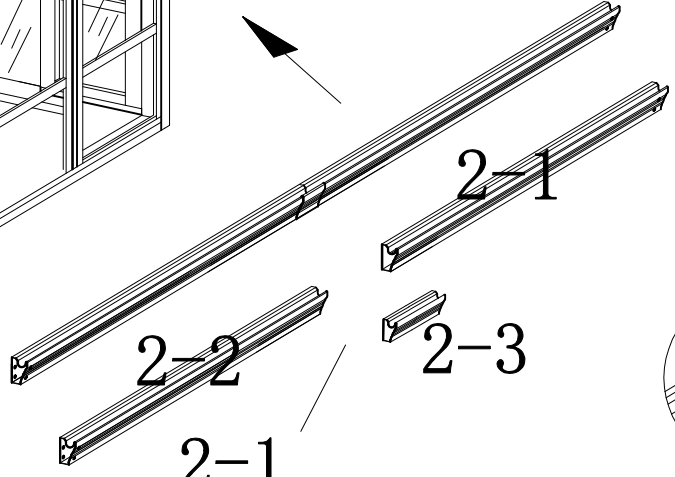
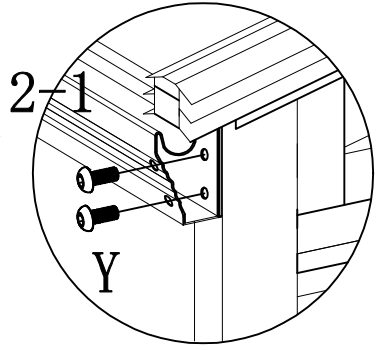
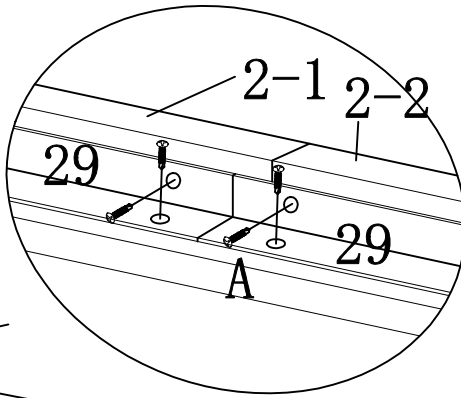
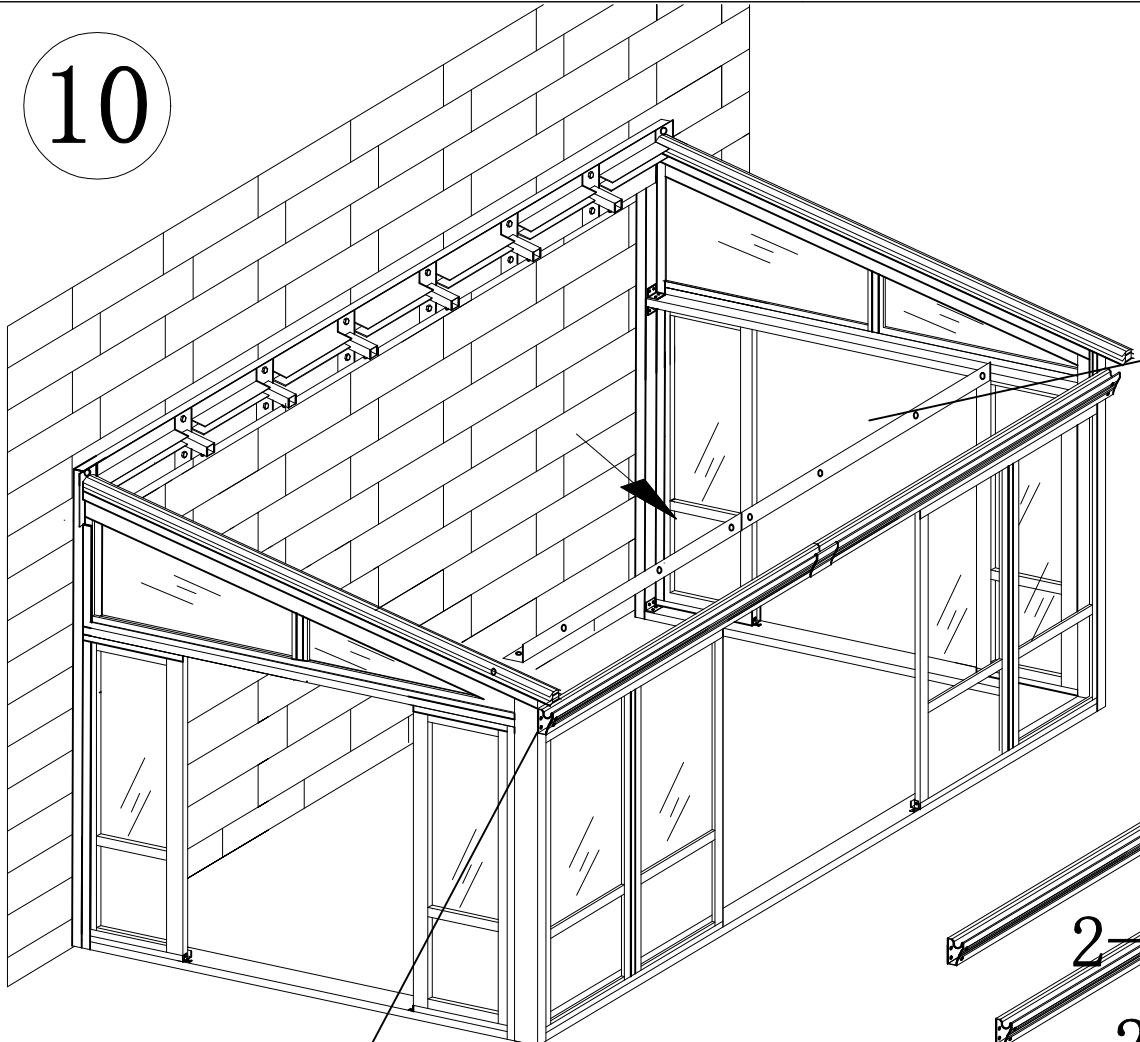
×2

A

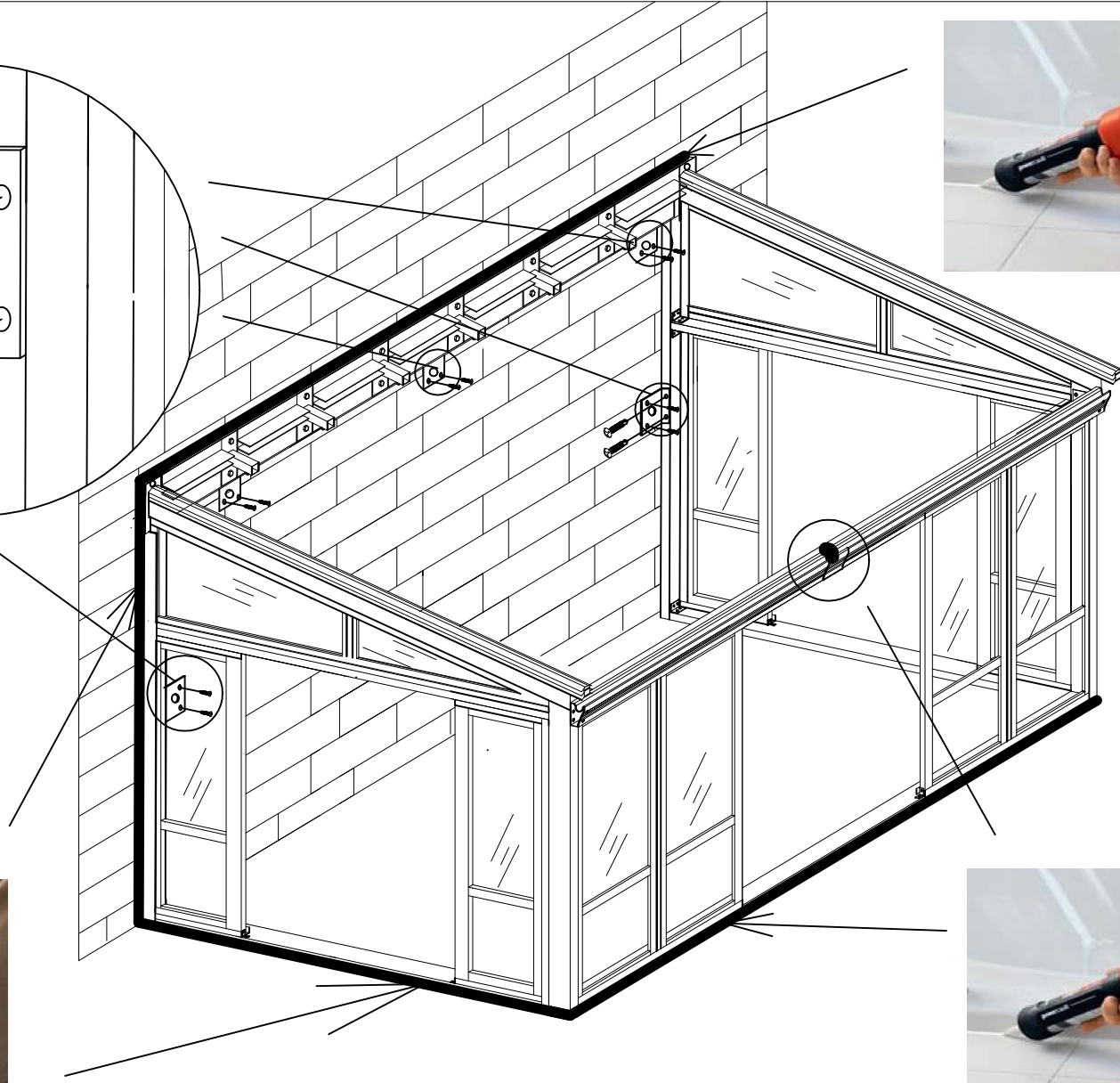
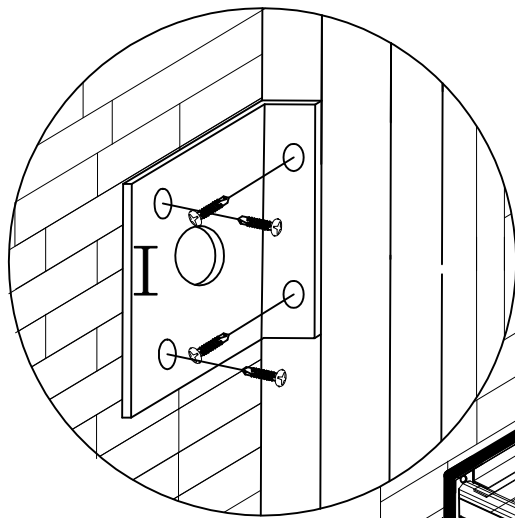


×4

10

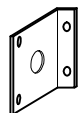


11



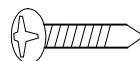
Please reinforce with glass glue on the wall, glass glue is not including.

I



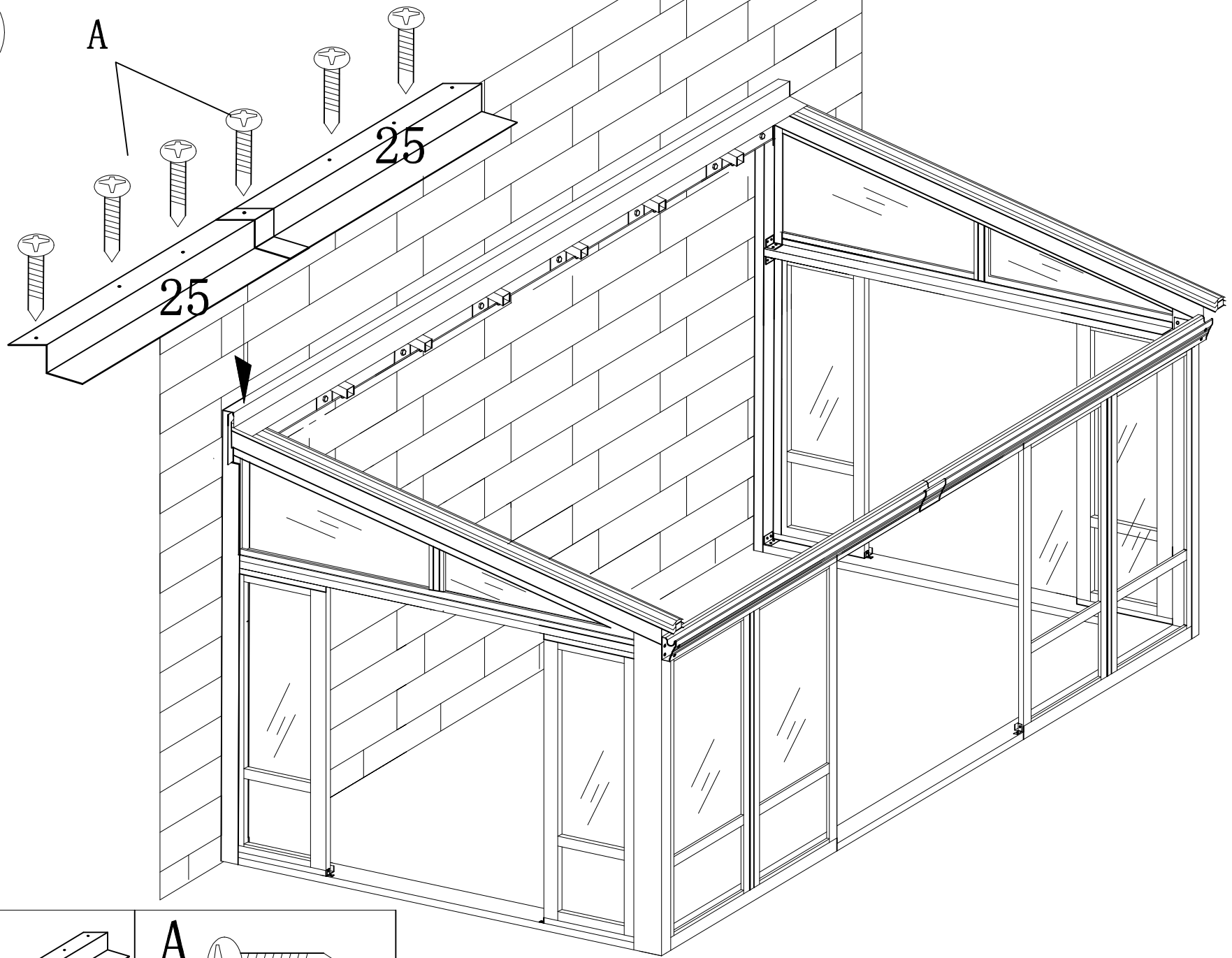
×10

A

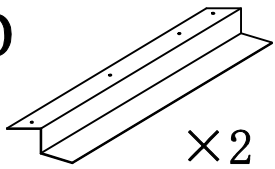


×40

12

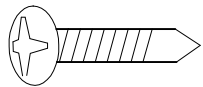


25



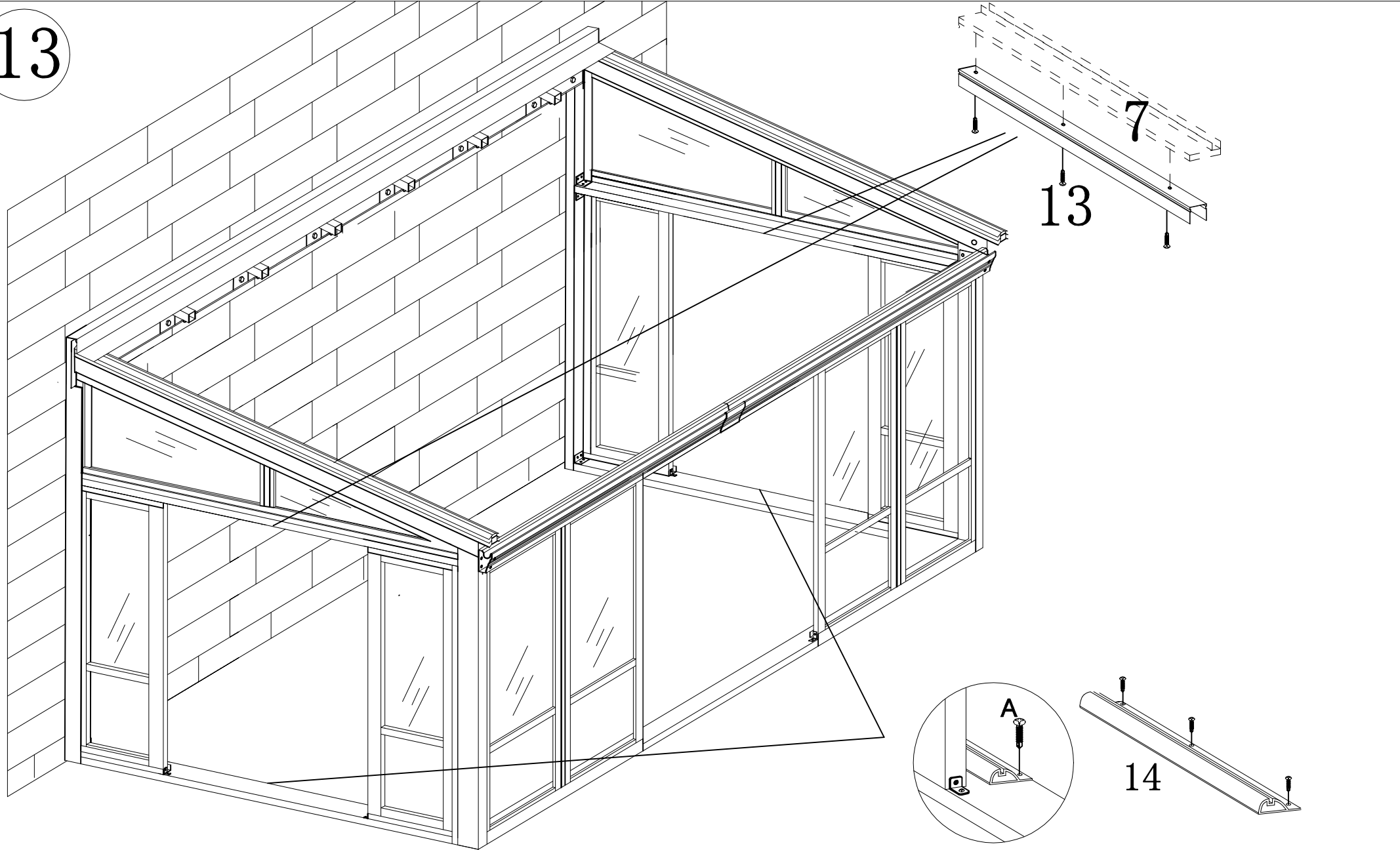
×2

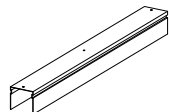
A

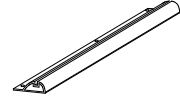


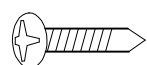
×6

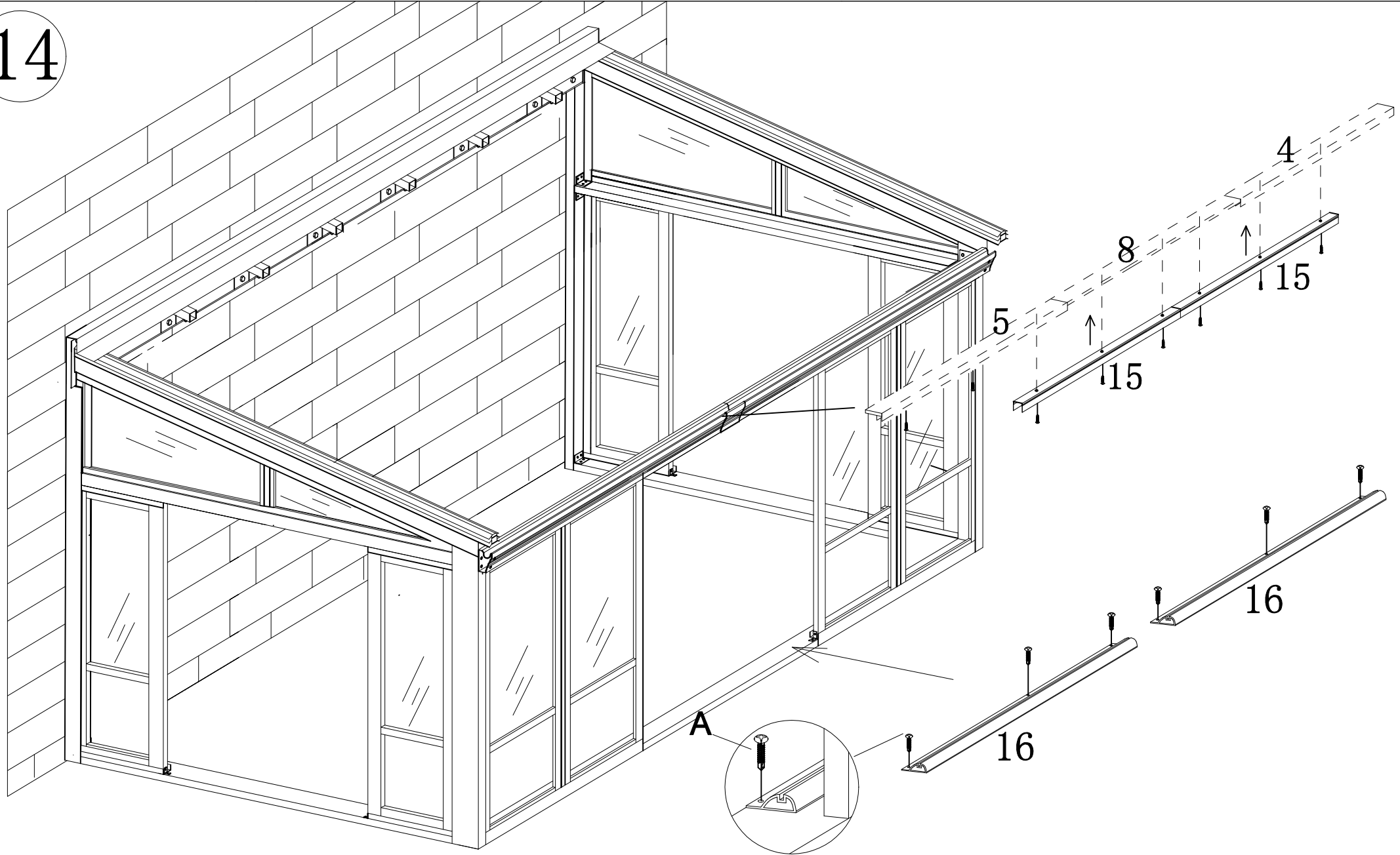
13

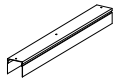



13  ×2

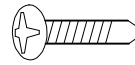
14  ×2

A  ×12

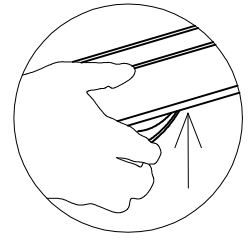
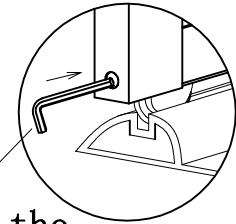
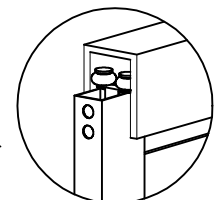
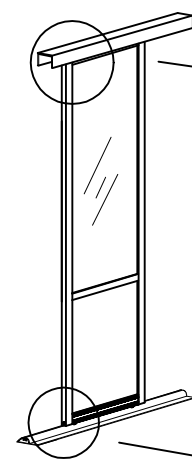
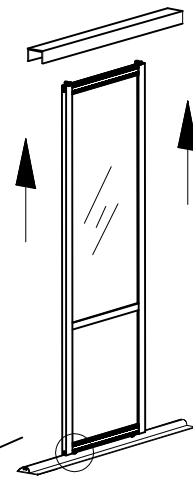
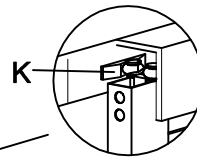
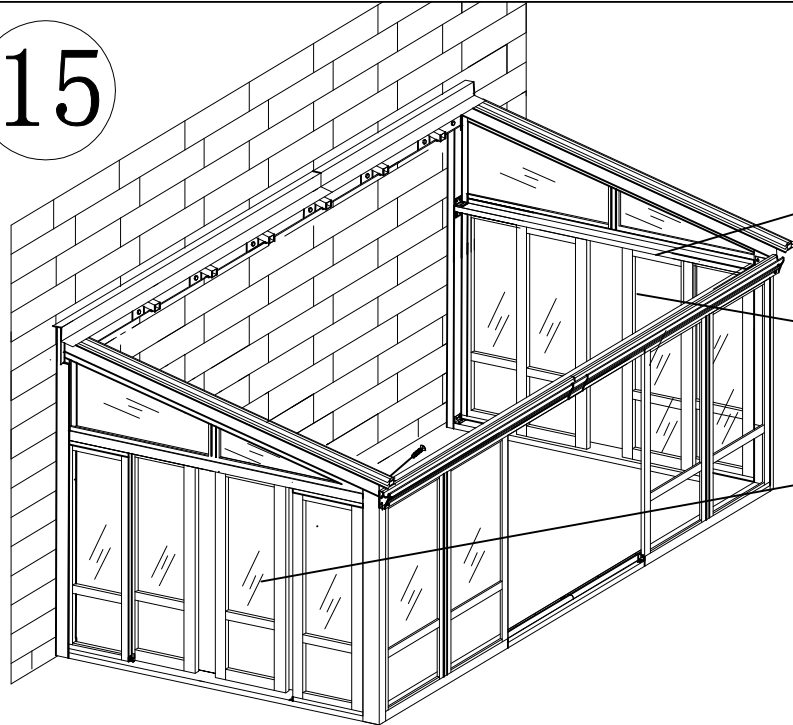


15  ×2

16  ×2

A  ×12

15

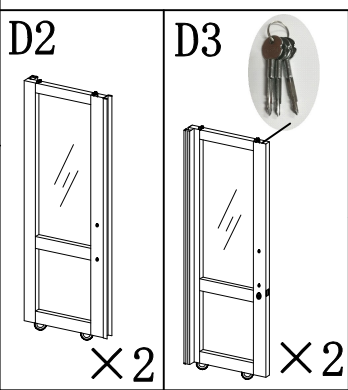
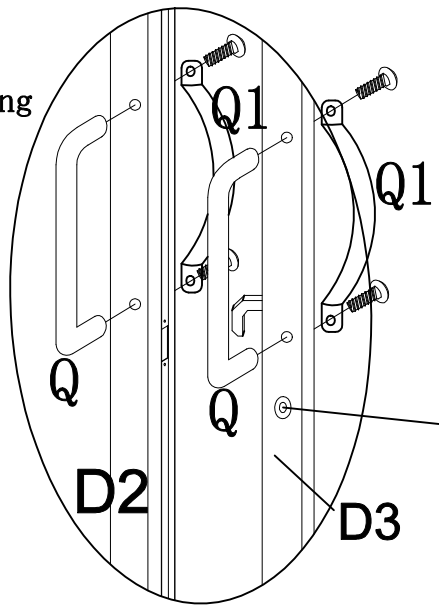
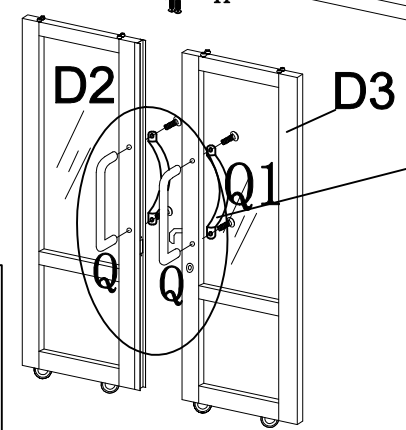
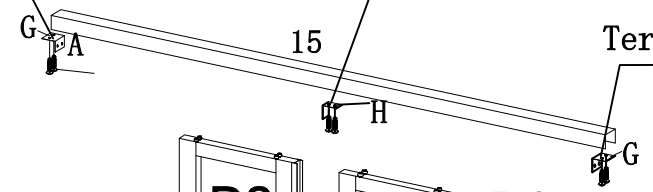


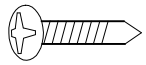
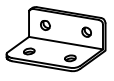
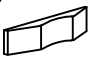


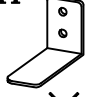
The height of the door can be adjusted here

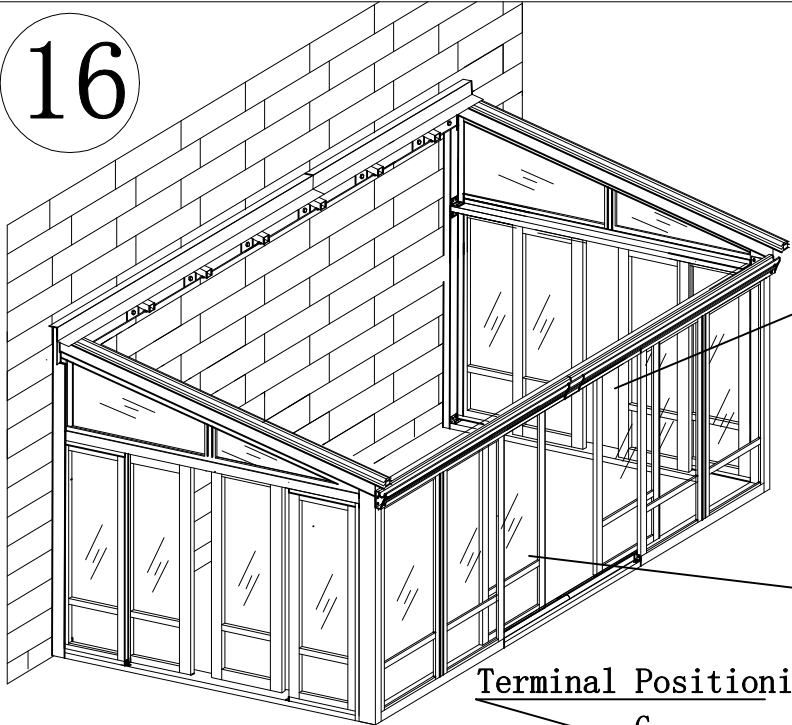
Terminal Positioning

Centralized Positioning

Terminal Positioning



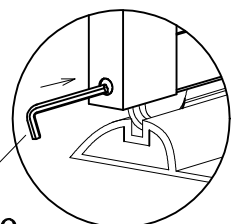
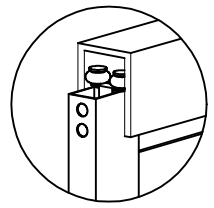
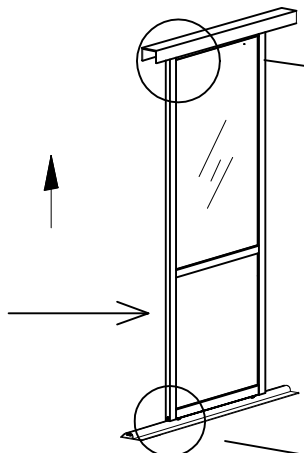
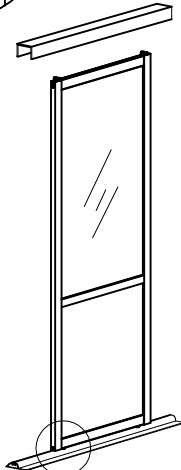
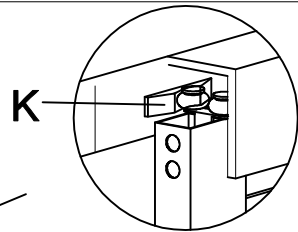
<p>A</p>  <p>×12</p>	<p>G</p>  <p>×4</p>	<p>K</p>  <p>×4</p>	<p>Q</p>  <p>×4</p>	<p>Q1</p>  <p>×4</p>	<p>H</p>  <p>×2</p>
---	--	--	--	---	--



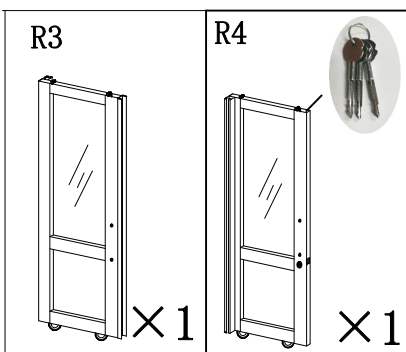
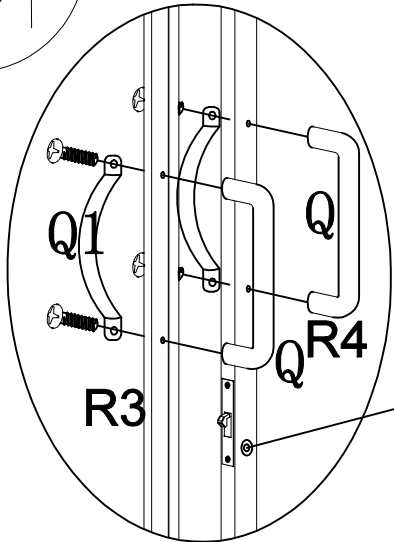
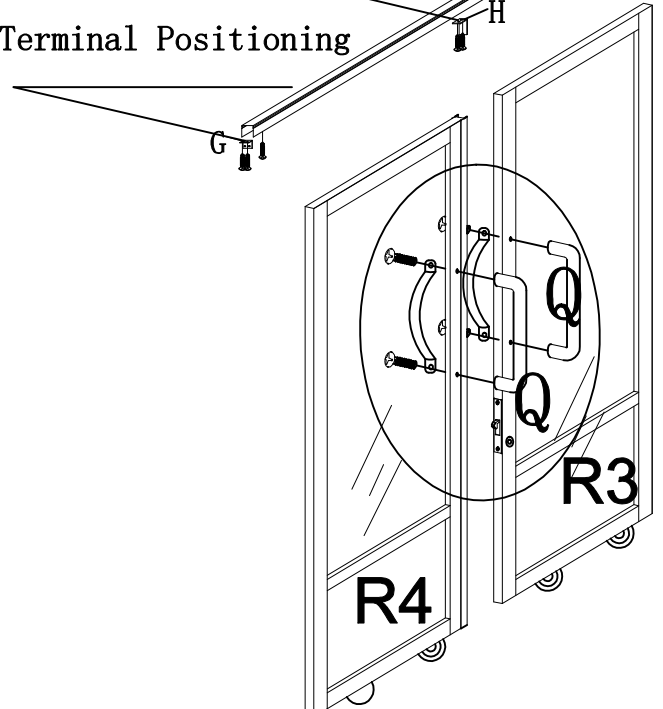
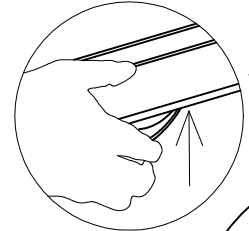
Terminal Positioning

Centralized Positioning

Terminal Positioning

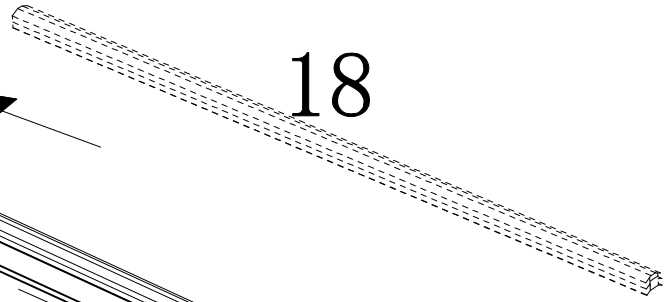
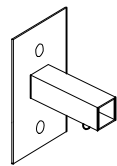
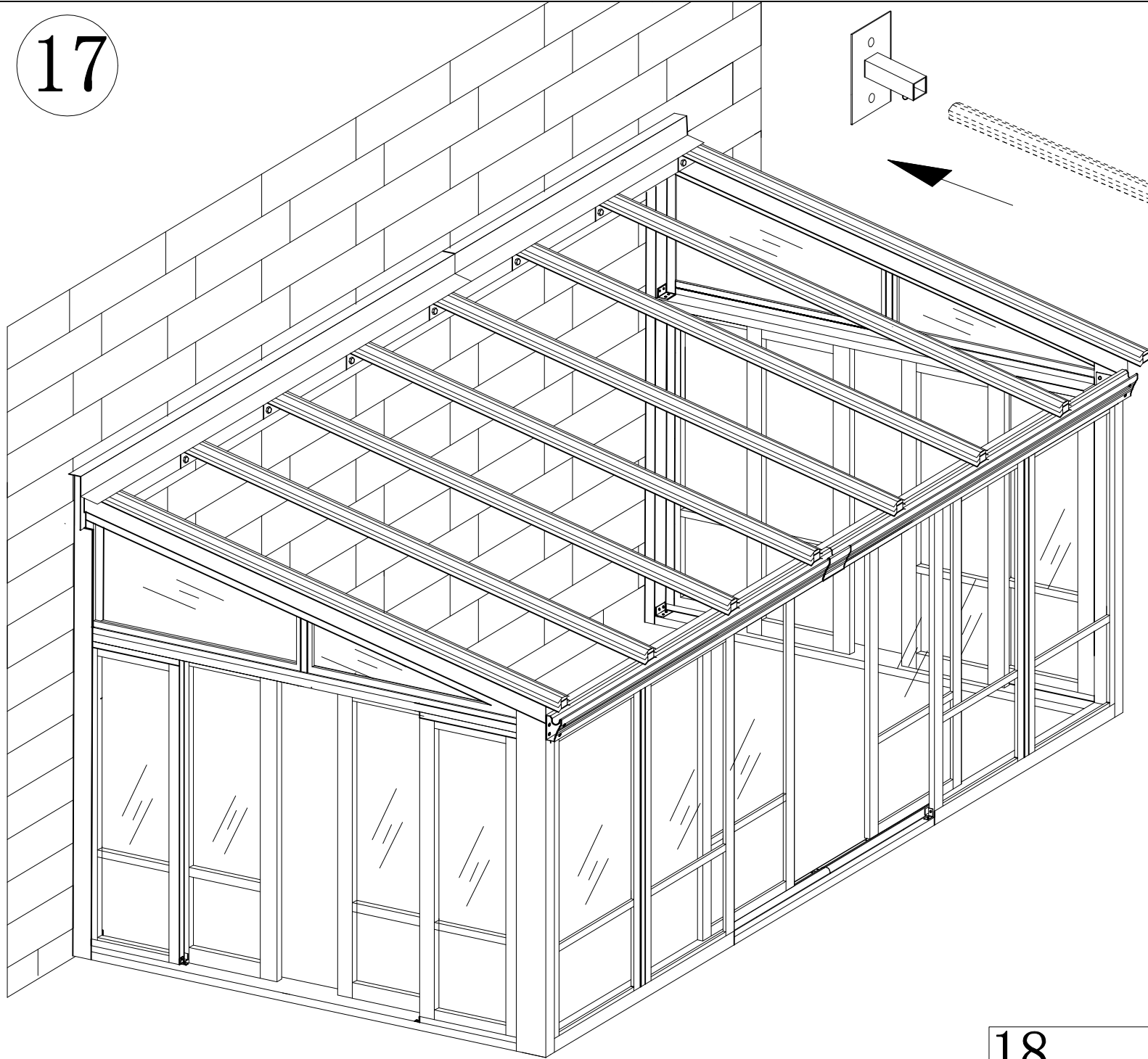


The height of the door can be adjusted here

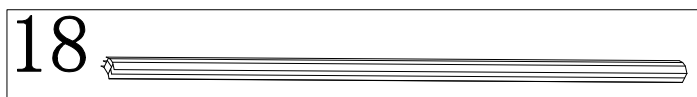


A		G		Q		Q1		K		H	
	x6		x3		x2		x2		x2		x2

17



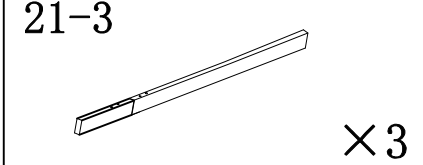
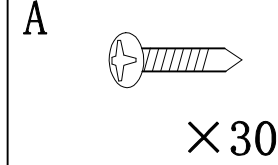
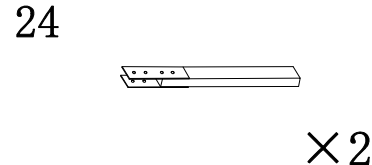
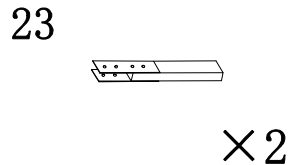
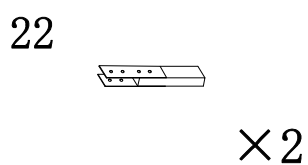
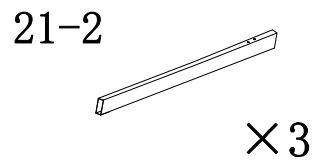
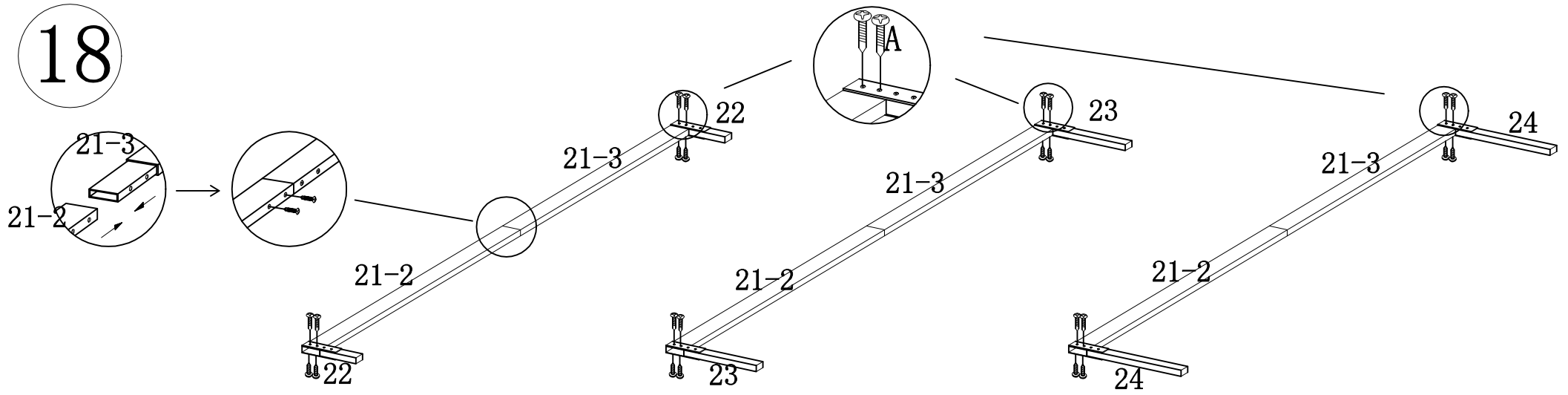
18



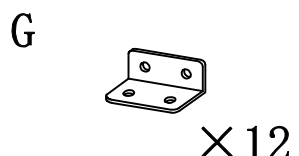
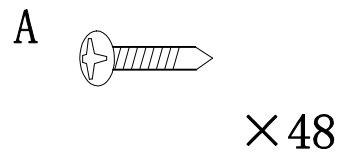
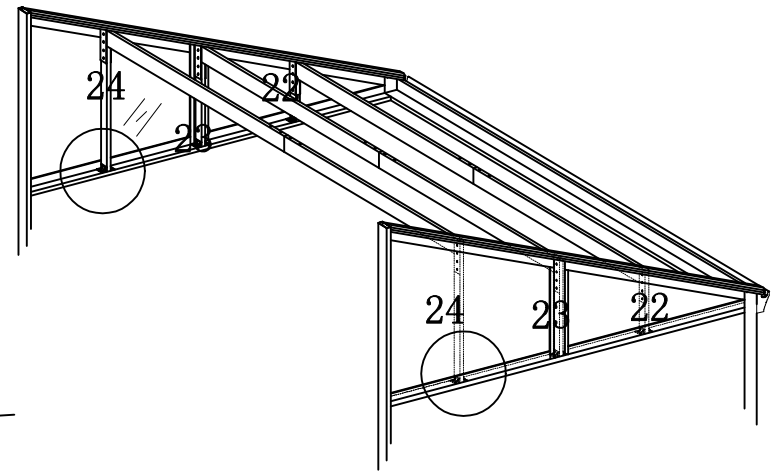
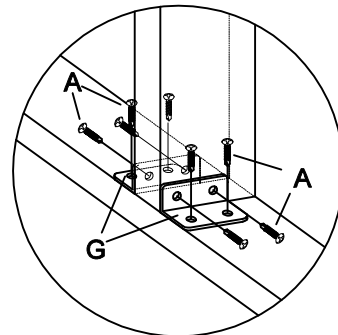
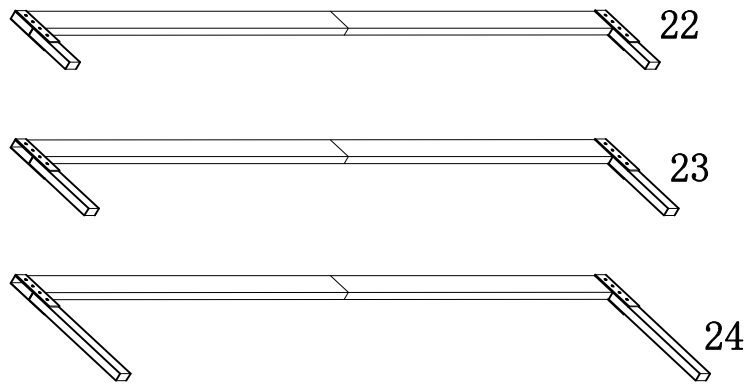
18

×6

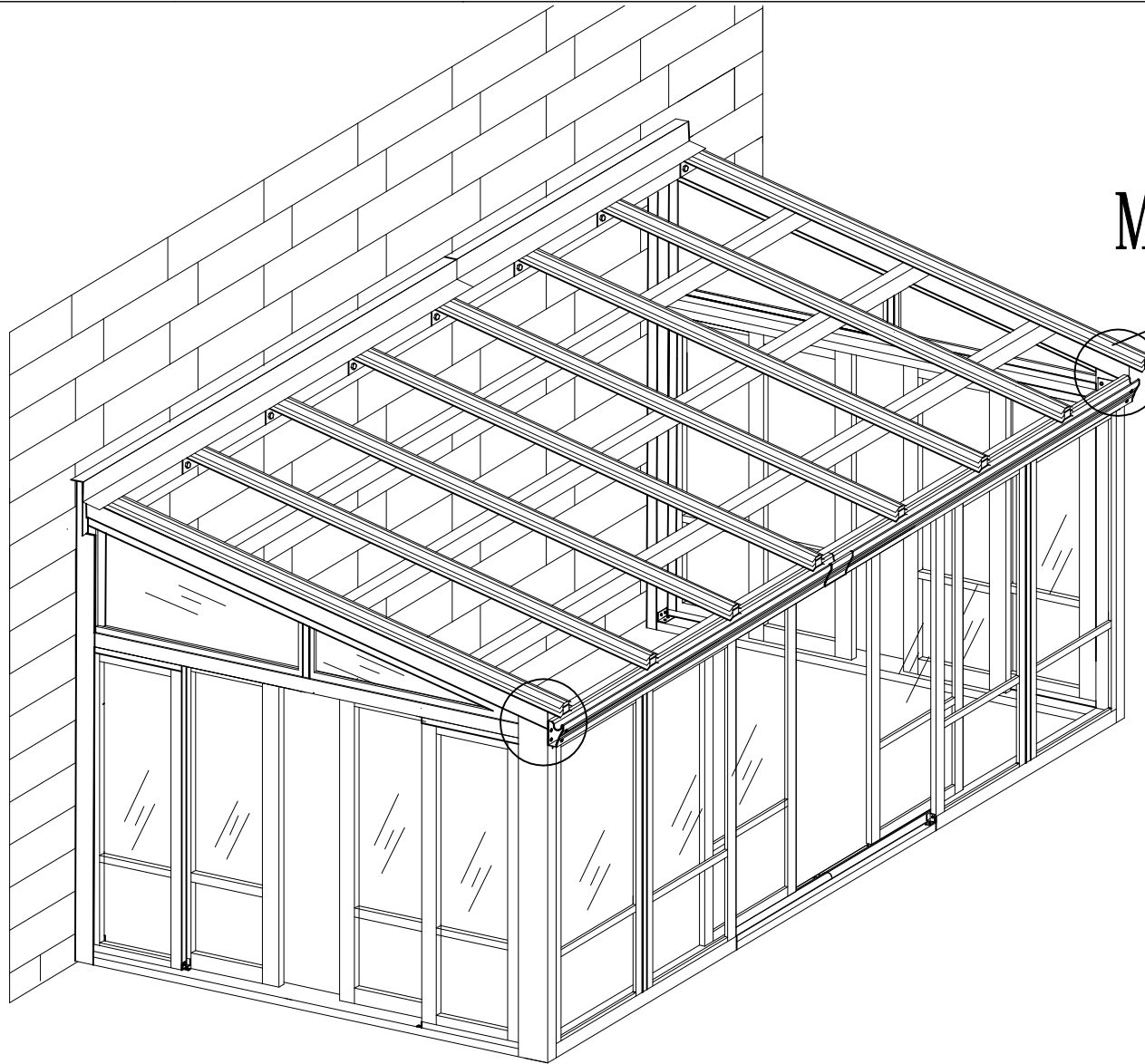
18



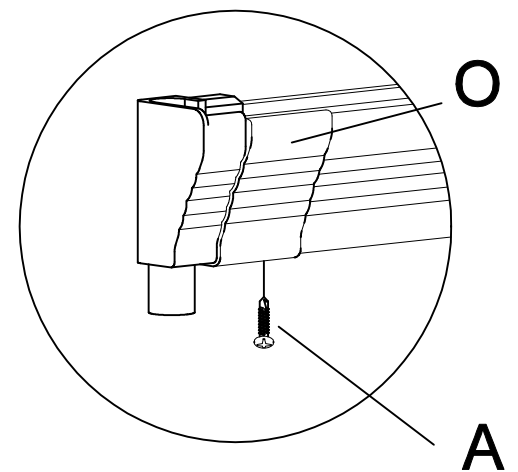
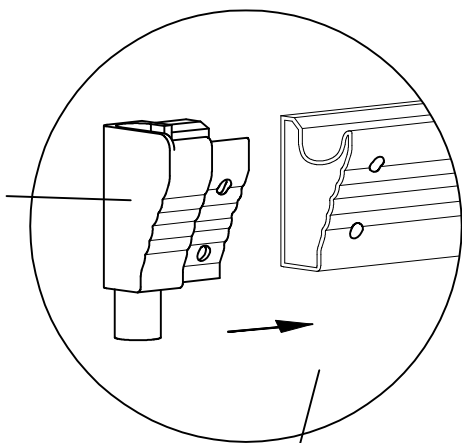
19



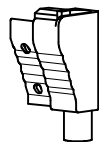
20



M/N

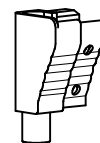


M



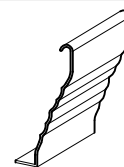
×1

N



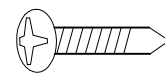
×1

O



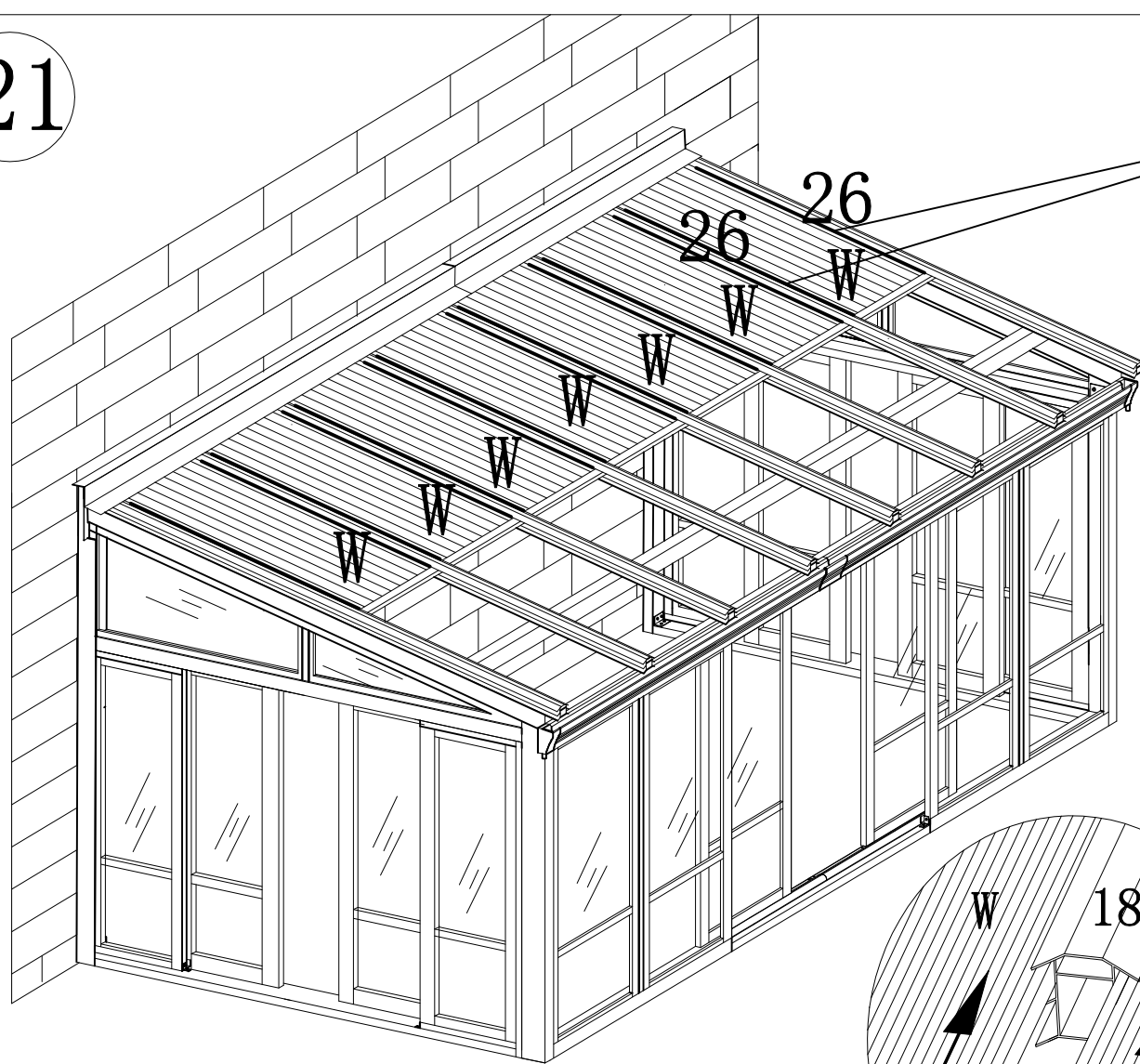
×2

A

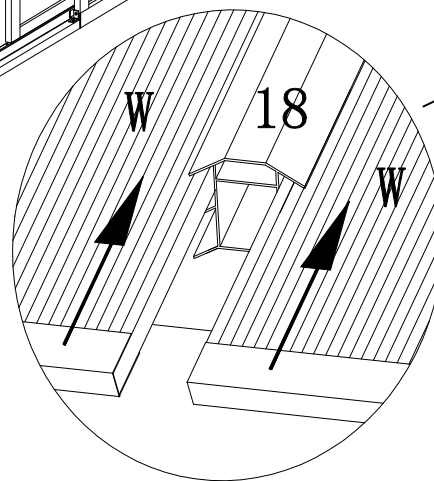
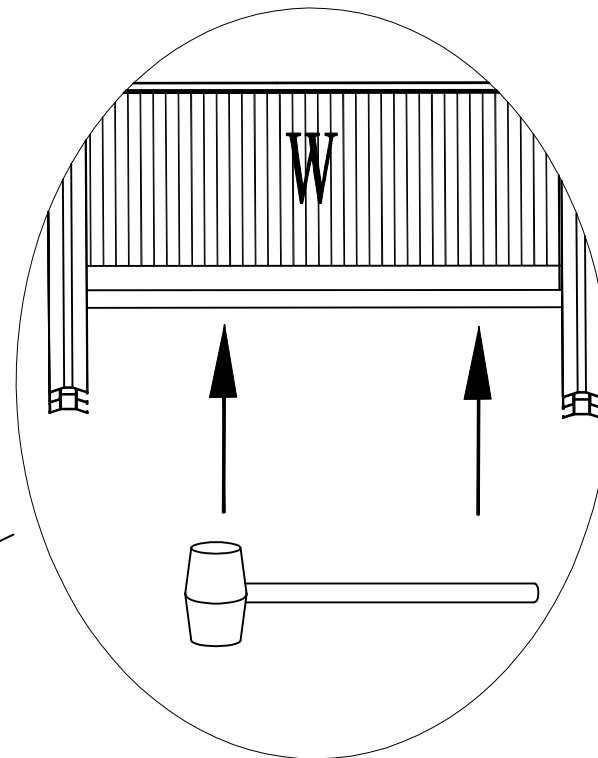


×2

21



26



W

POLYCARBONATE

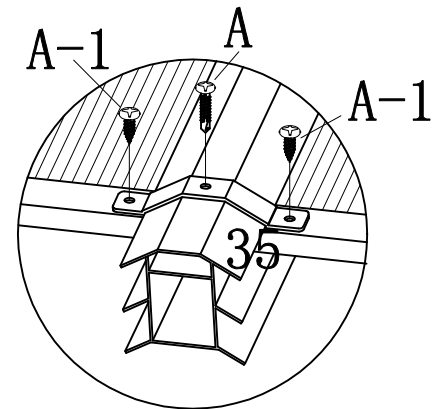
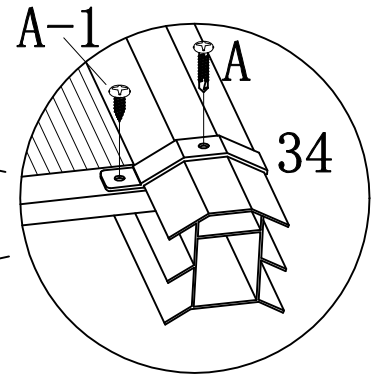
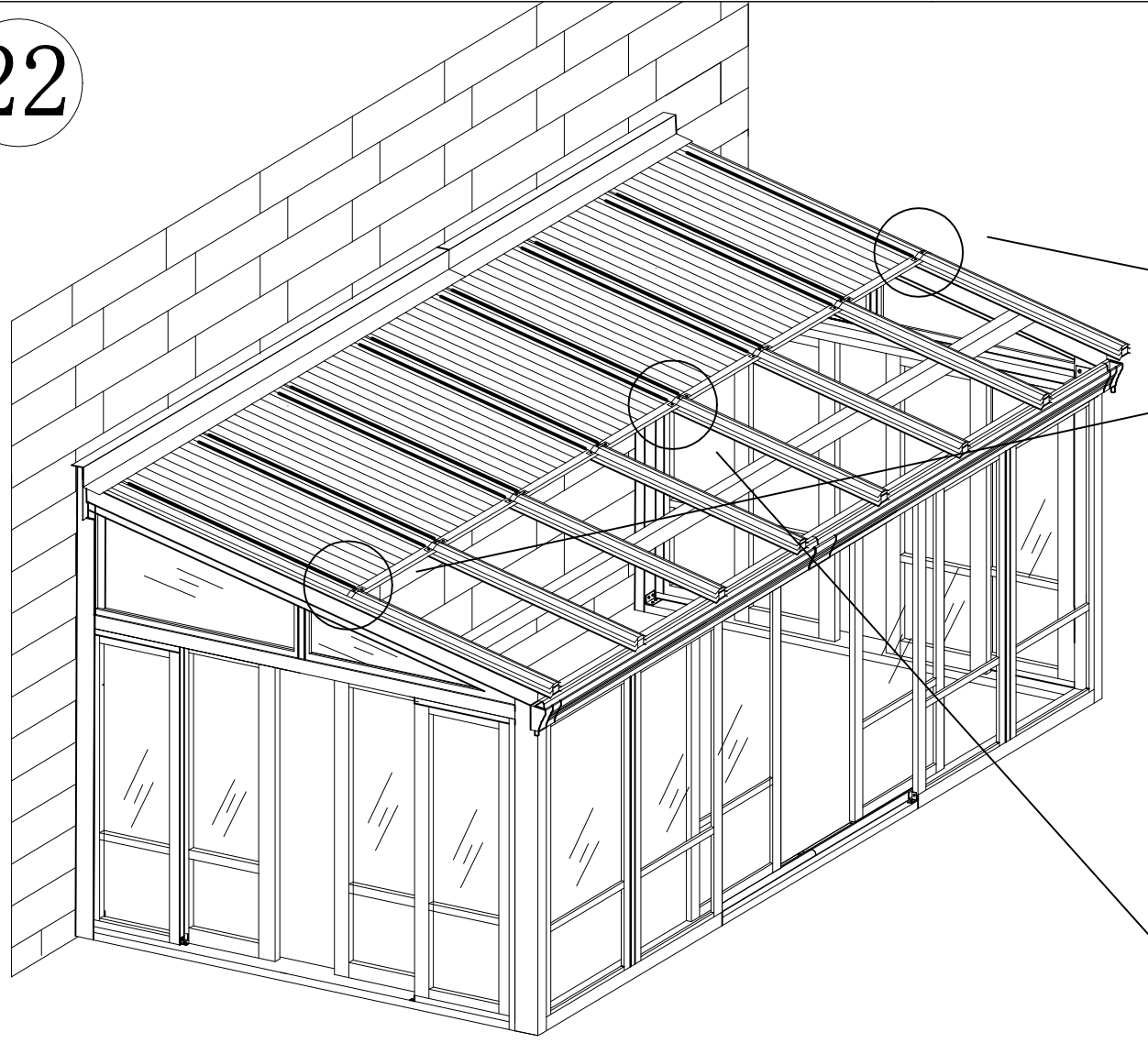





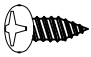
×7

26

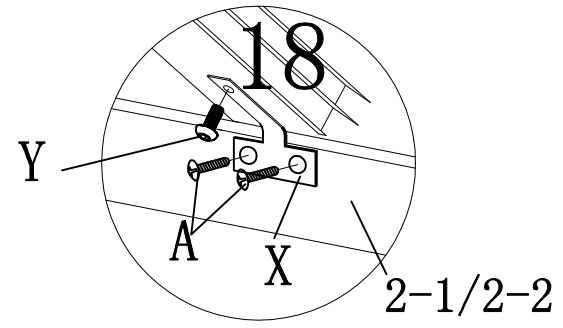
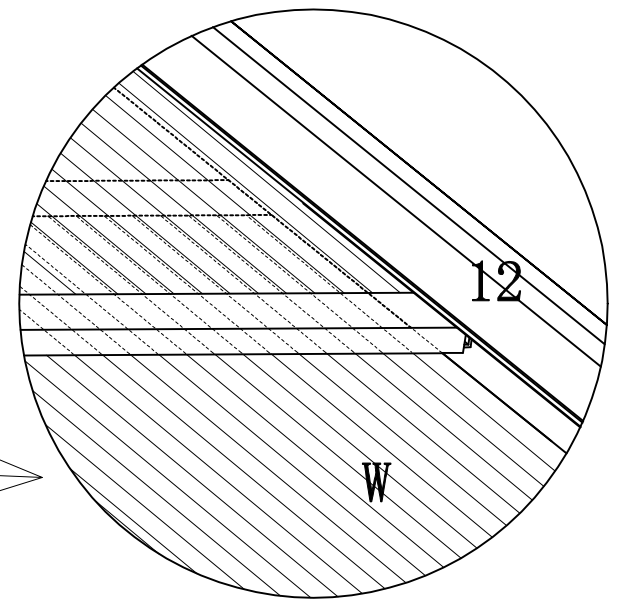
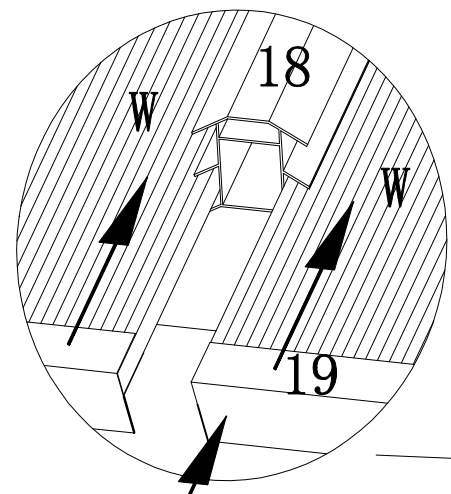
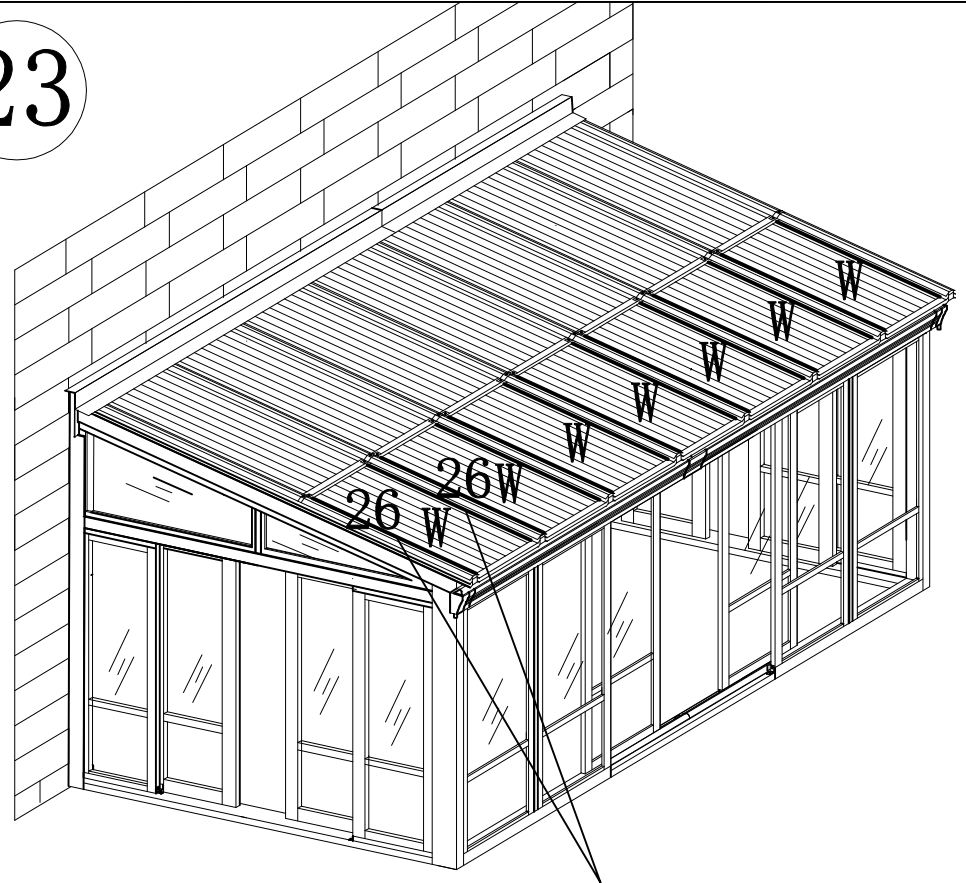


22



<p>34</p>  <p>×2</p>	<p>35</p>  <p>×6</p>	<p>A</p>  <p>×8</p>	<p>A-1</p>  <p>×14</p>
--	---	--	--

23



W POLYCARBONATE

×7

19

×7

X

×6

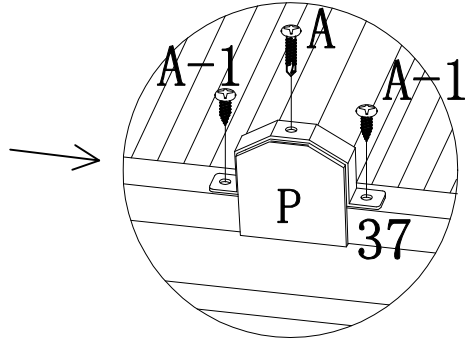
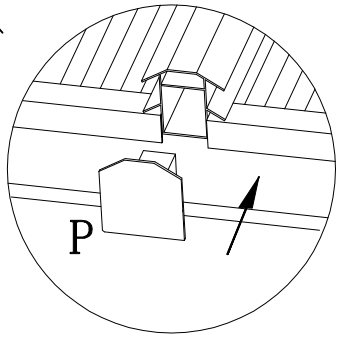
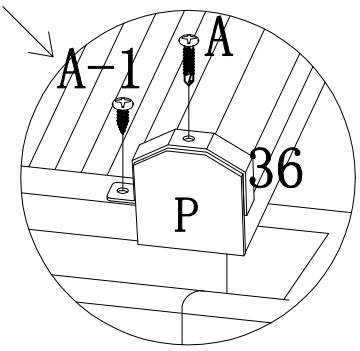
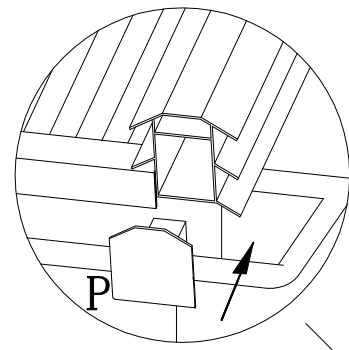
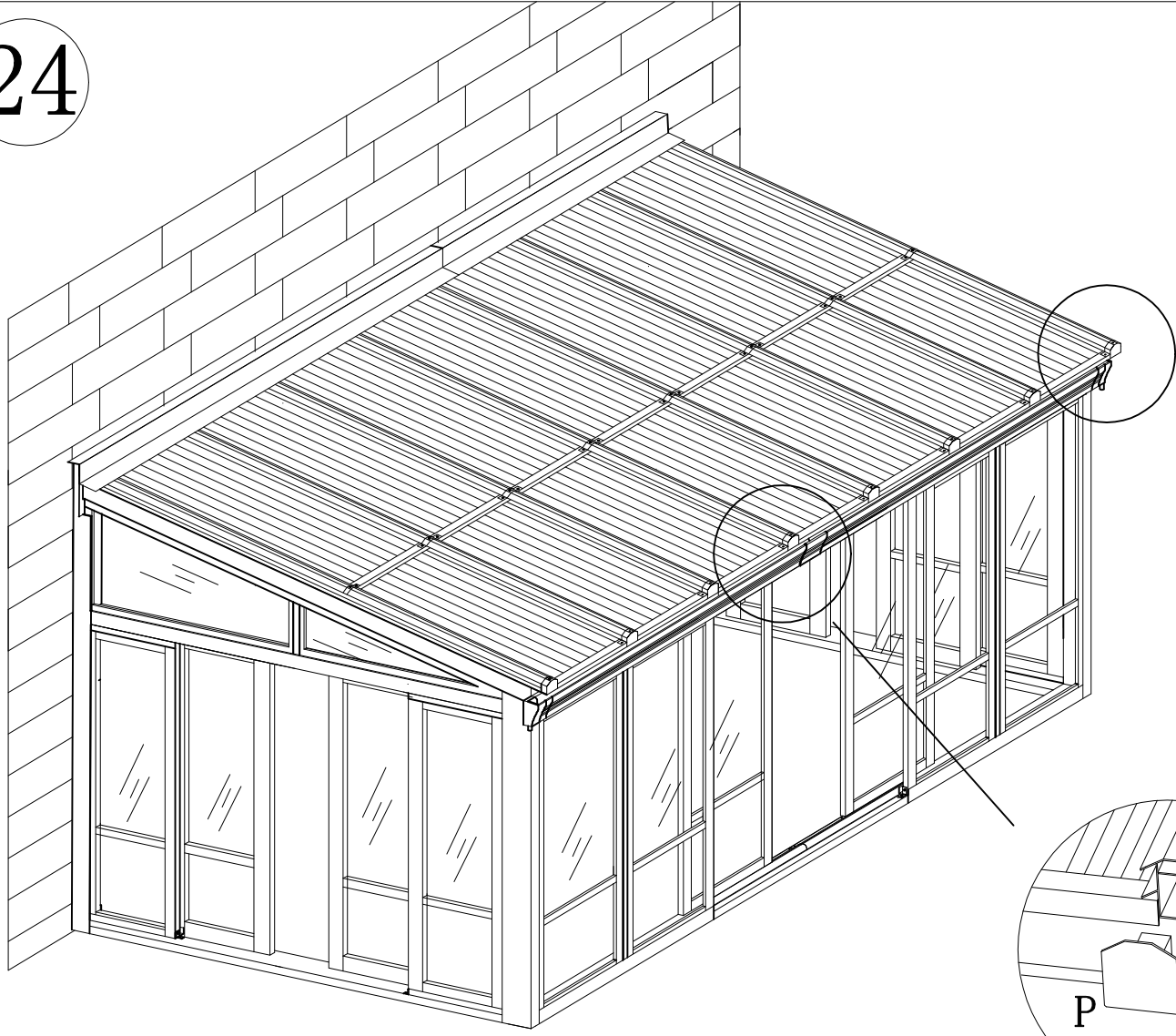


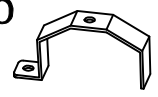
Y

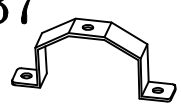
×6

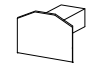
A

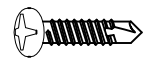
×12

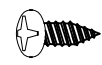


36  ×2

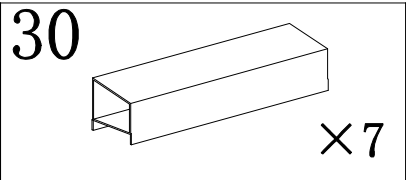
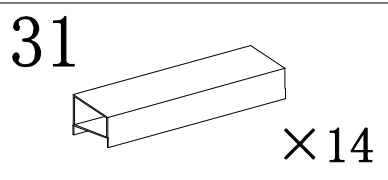
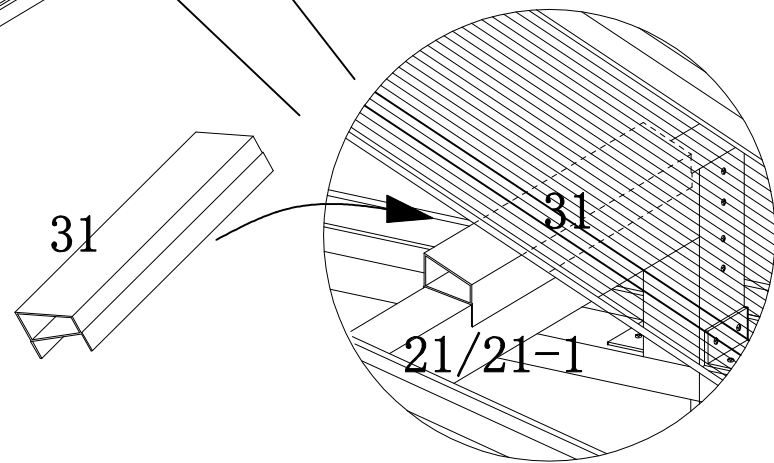
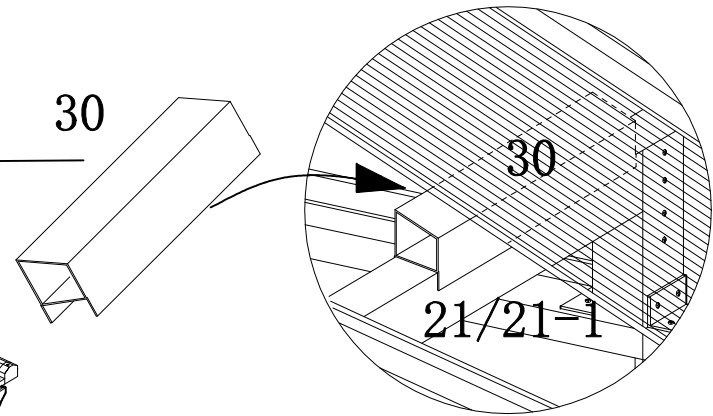
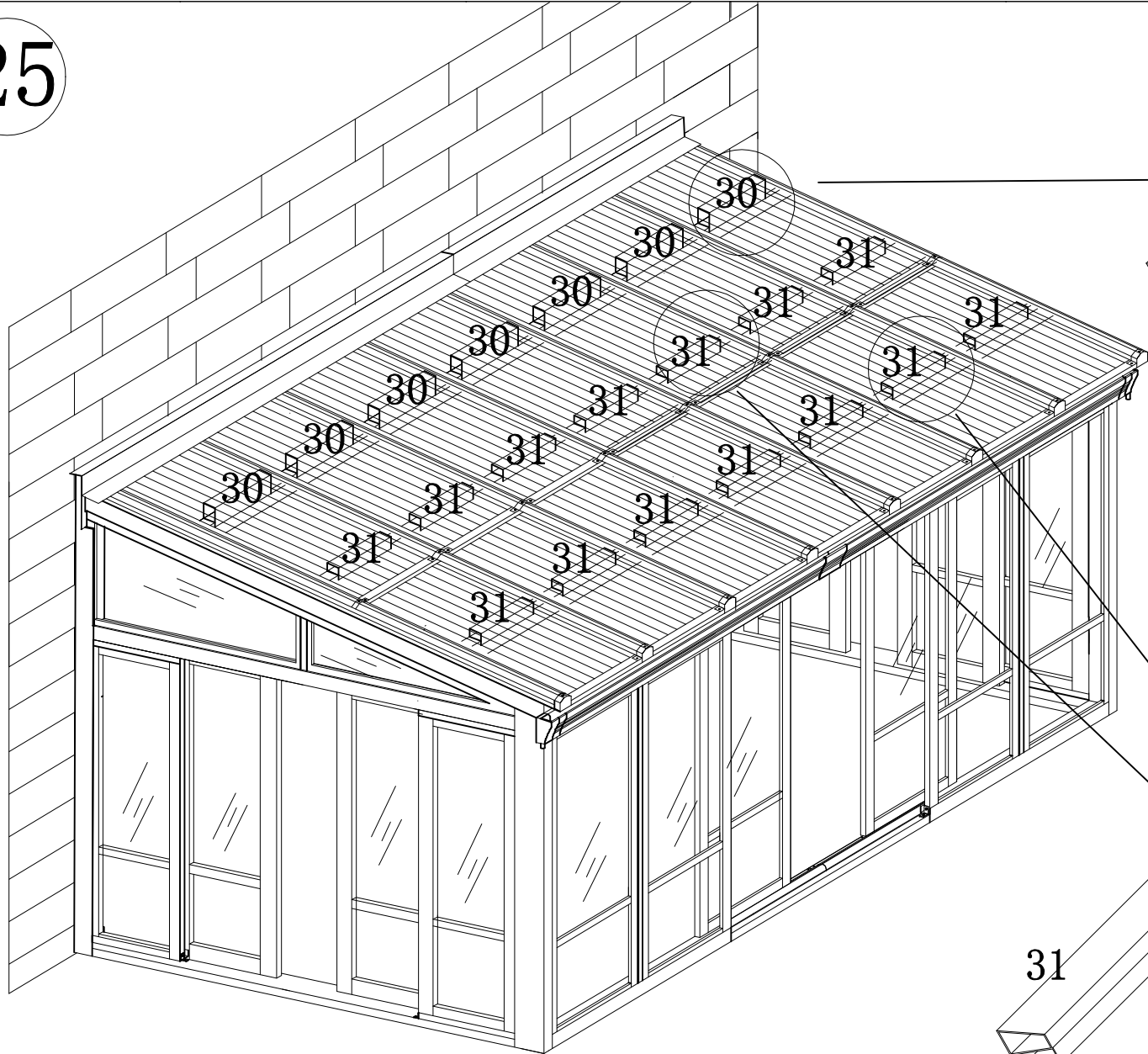
37  ×6

P  ×8

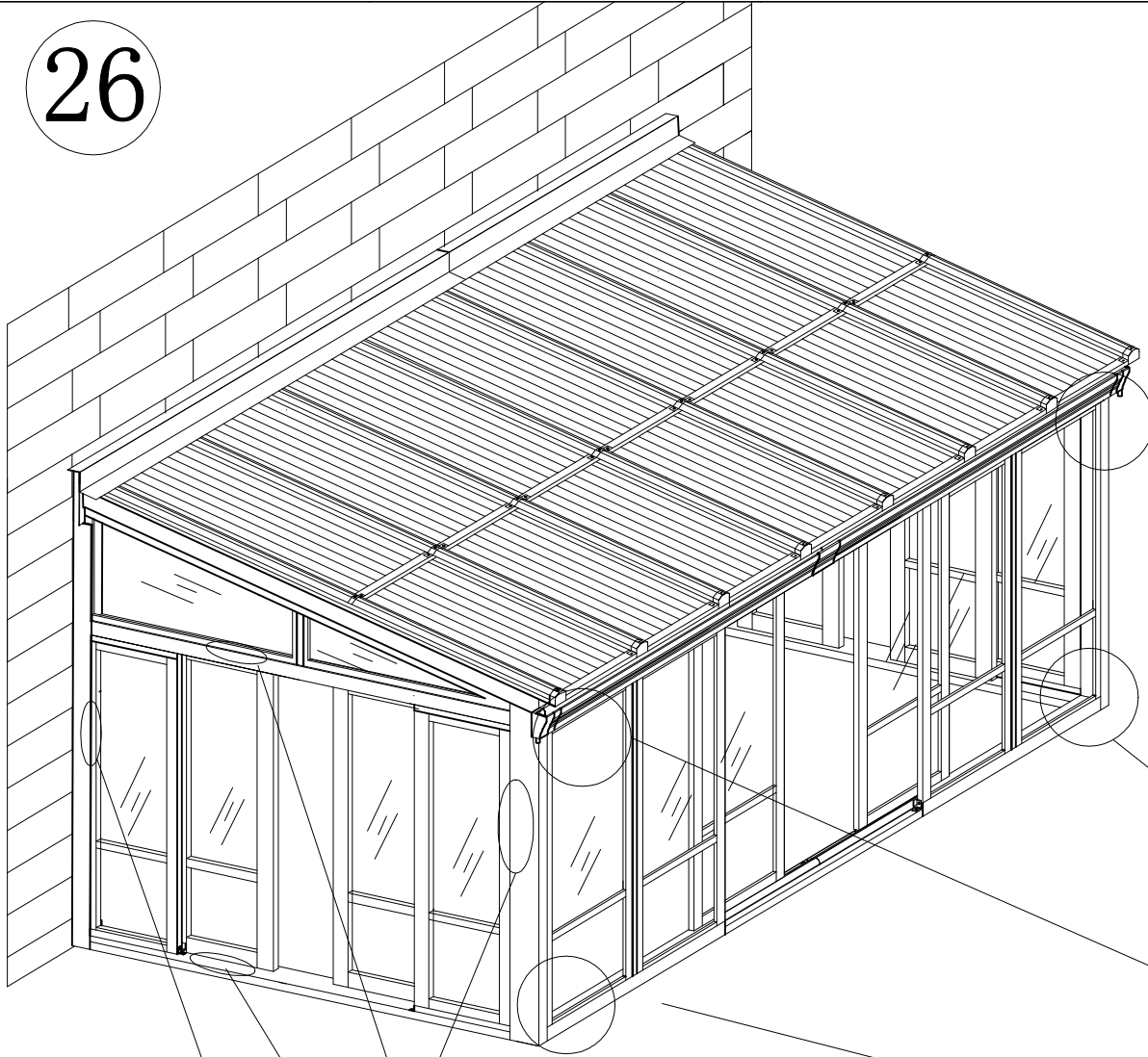
A  ×8

A-1  ×14

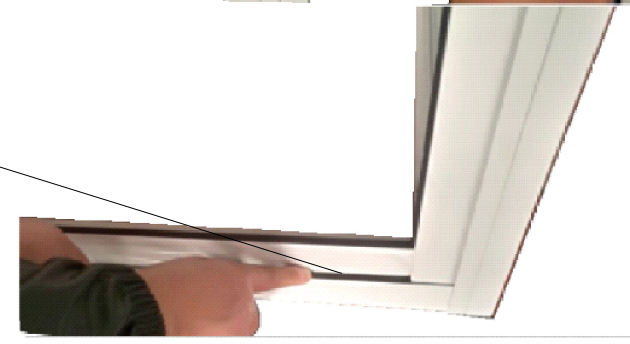
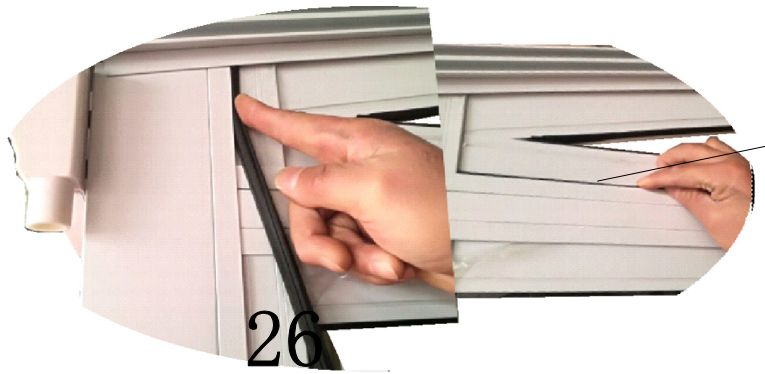
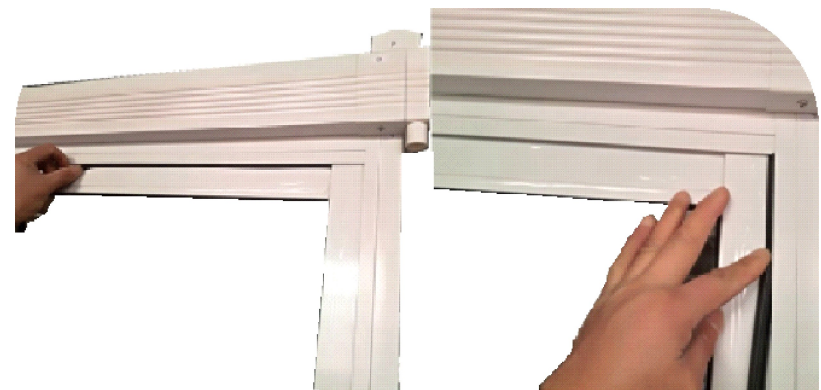
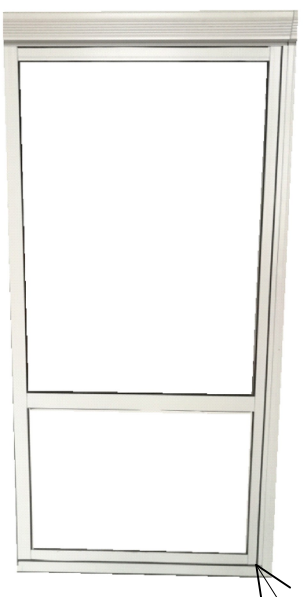
25



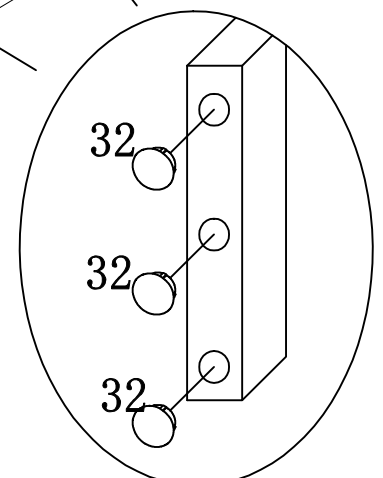
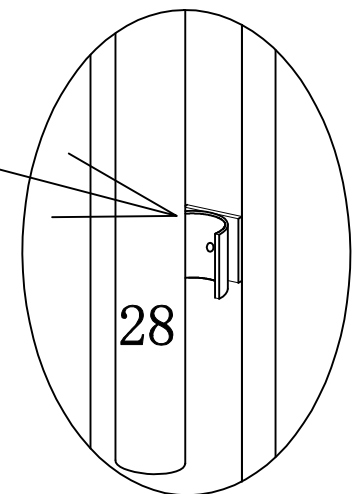
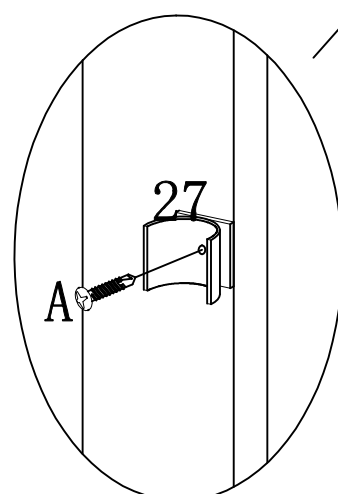
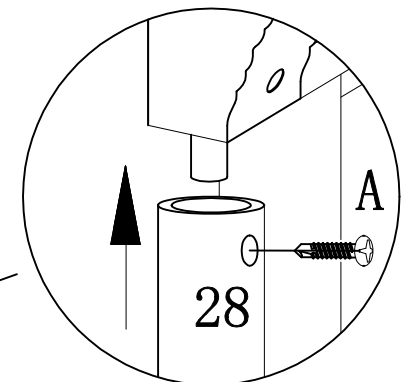
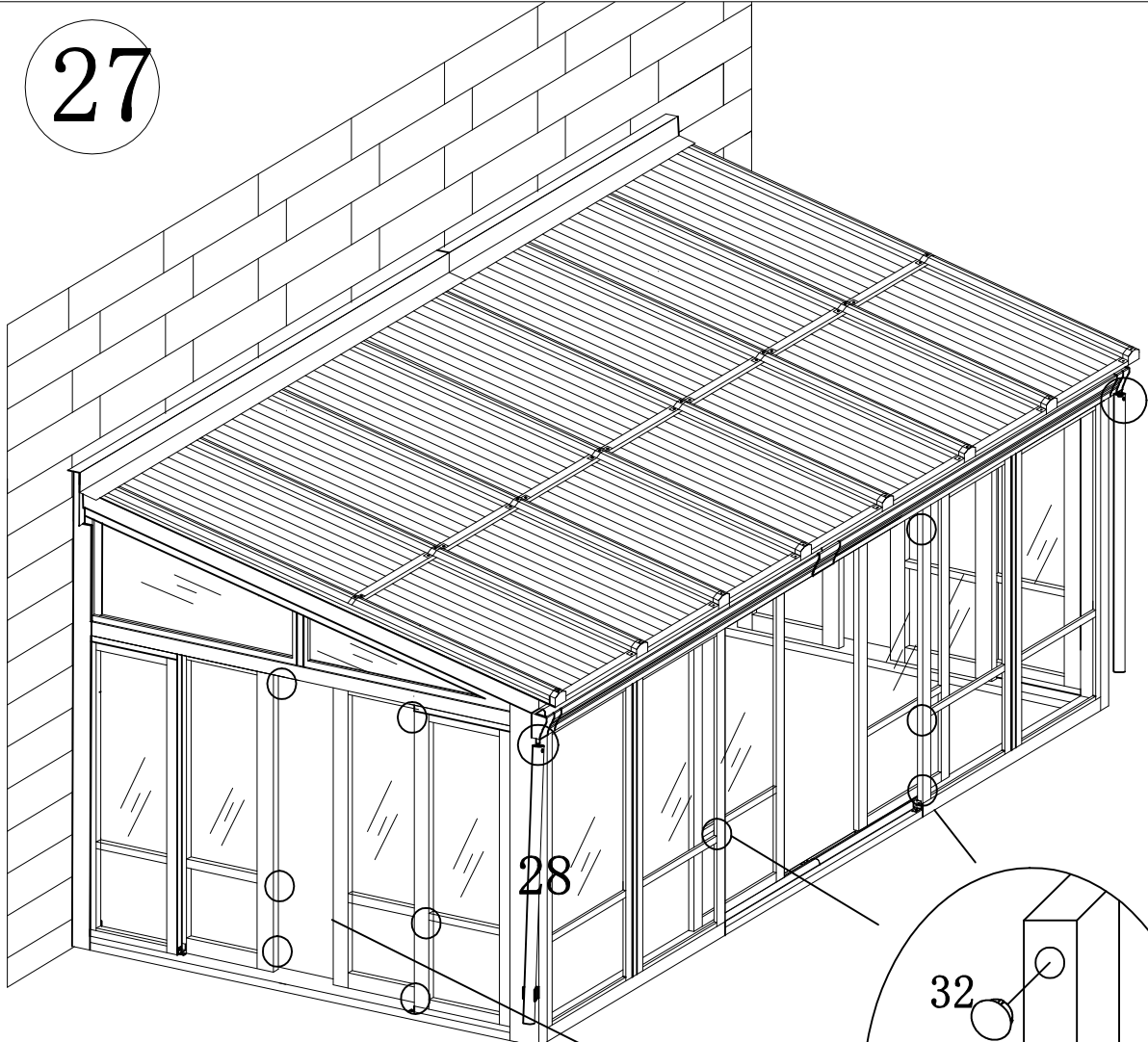
26

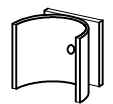


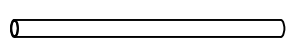
26

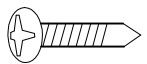



27



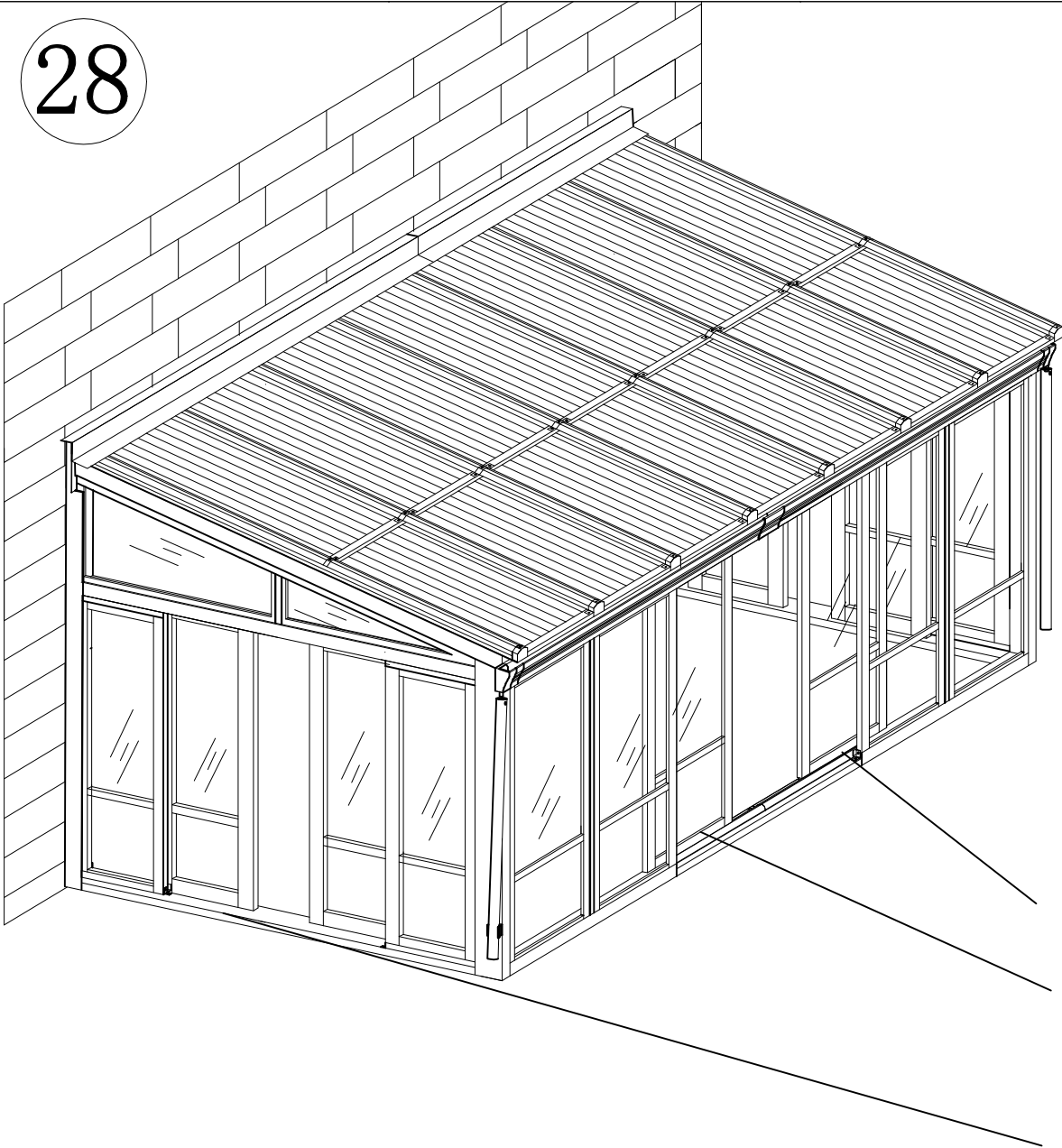
27  ×2

28  ×2

A  ×4

32  ×42

28



33



5m

×1