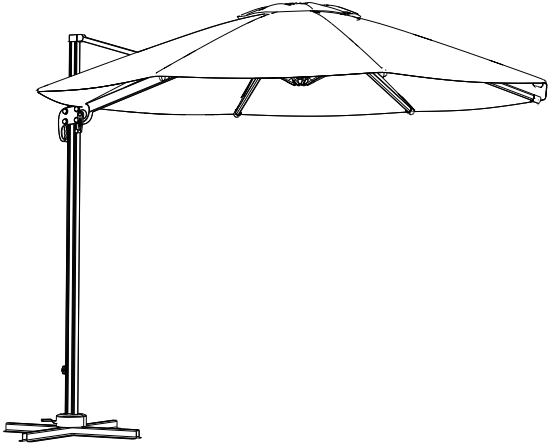
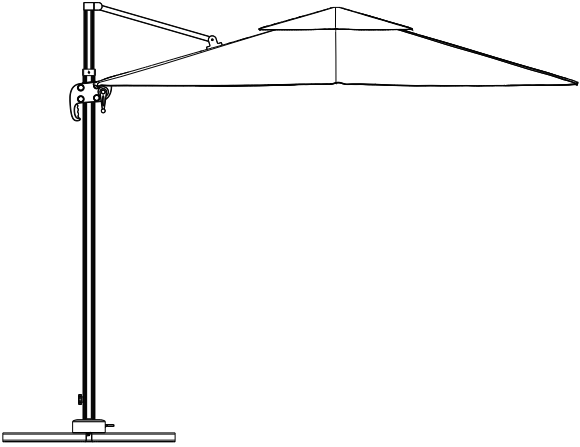


Cantilever Parasols



CONTENTS

Safety Instructions	3
Care & Maintenance	3
Parts List	4
Assembly	5
After sale	8

Safety Instructions



Note Please retain these instructions for future reference

Please fix all screws and knobs before use, Please read and understand this entire manual before attempting to assemble or install the product. It should not be used as a toy or tool. Children should not engage in the operation, assembly, removal, or disassembly of the product

Every 3 months, determine whether all screws and knobs are tightened

During the initial assembly, do not tighten all the screws until fully assembled

Never leave unattended, fully opened, or use in windy conditions, gusts or storms

Note that some parts are heavy and have sharp edges, so you should pay attention to your hands being scratched when you take them

If any parts are broken, damaged, or missing, please do not attempt to assemble this product, please contact our customer service online

Please do not use the product in a way that is different from the manual, as this may result in the failure of the warranty

Care & Maintain

If the umbrella encounters a humid environment, it needs to be dried in a sunny or naturally ventilated environment

Store in a dry place during the of' season

Keep the umbrella away from fire or heat sources.

Our umbrellas are suitable for home and leisure places such as courtyards, gardens, swimming pools, etc.

If you need umbrellas in public places, please contact us online

Fabric Care

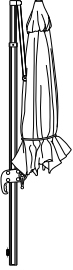
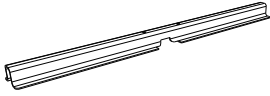
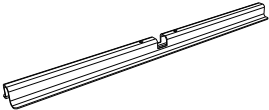
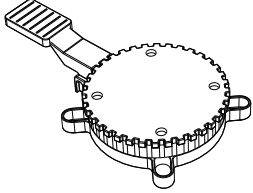

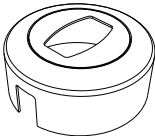

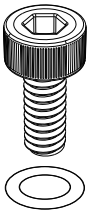
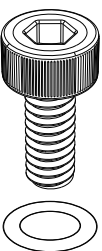
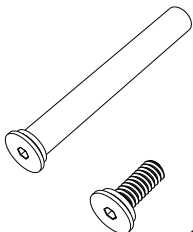
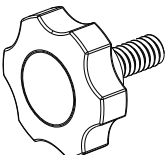
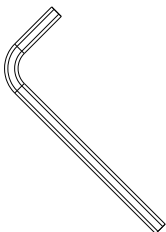
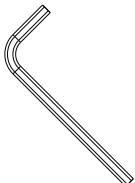
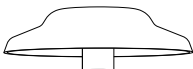
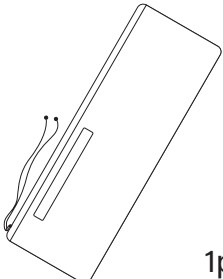
To spot clean, use mild soap with lukewarm water, rinse, and air dry.

Do not clean with bleach or solvents.

To protect the life of the umbrella, it should be stored indoors or in a dry place when not in use

Parts List

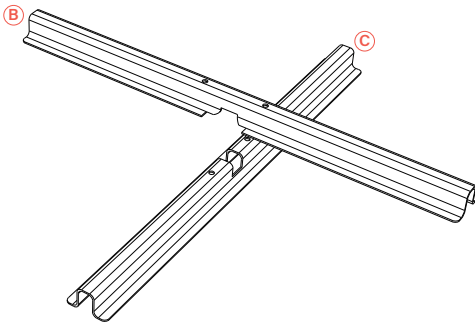
Parts required

 1pc	 1pc	 1pc	 1pc
A-umbrella	B-Upper crossbar	C-Lower crossbar	D-FOOT PEDAL/ ROTATING BASE
 1pc	 1pc	 1pc	 4pc
E-SUPPORT SHAFT	F-GEAR COVER	G-Crank	H-M8x16
 4pc	 1pc	 1pc	 1pc
I-M8x20	J-M6x50	K-KNOB	L-M8
 2pc	 1pc	 1pc	
M-M6	N-umbrella cap	O-umbrella cover	

Assembly

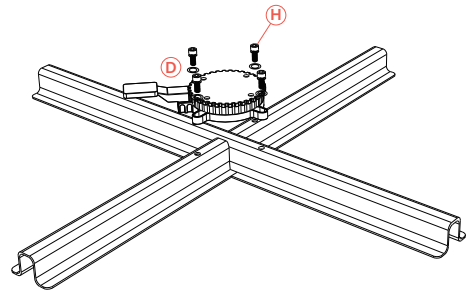
Step1

Place the upper crossbar B on the lower crossbar C



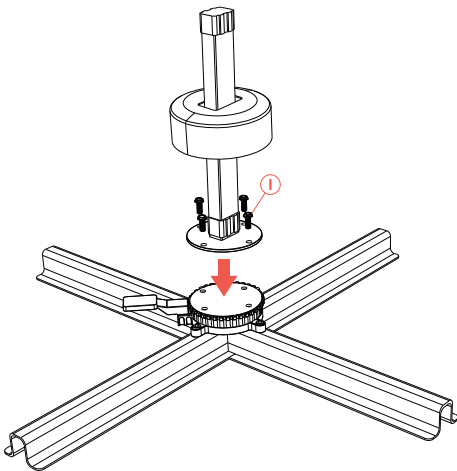
Step2

Foot pedal/rotating base part D is placed on top of part C and part B, Secure with part H screws



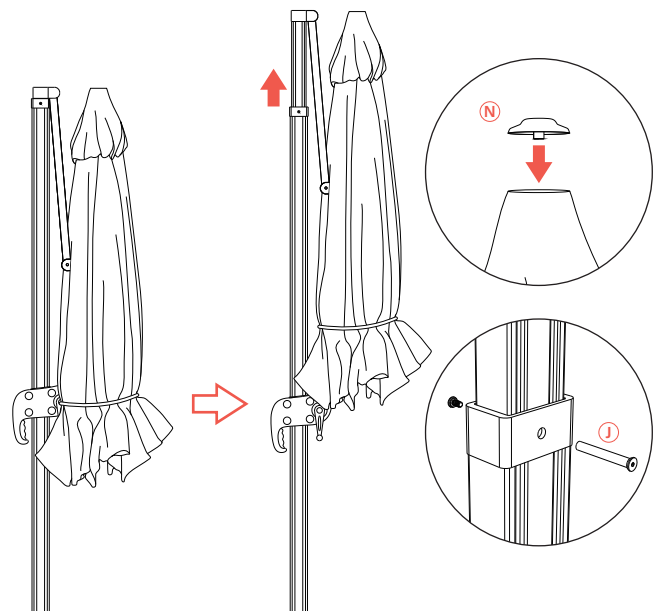
Step3

Put the support shaft part E on the Foot pedal part D, Secure with part I screws, Finally put part F in



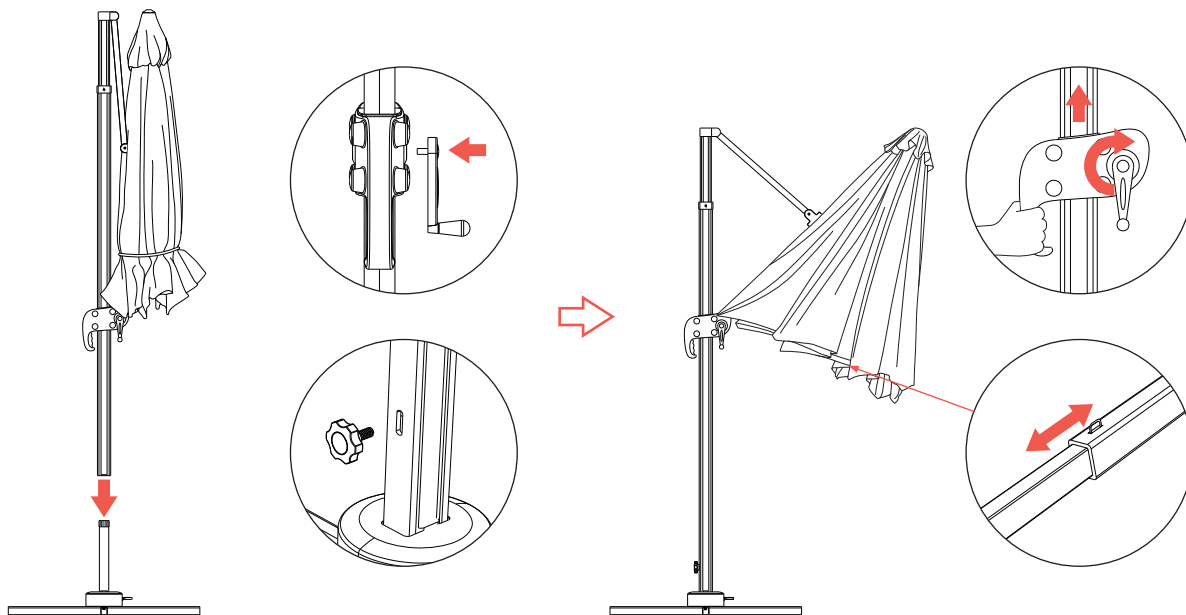
Step4

Fix the umbrella pole with par J Then install the umbrella cap



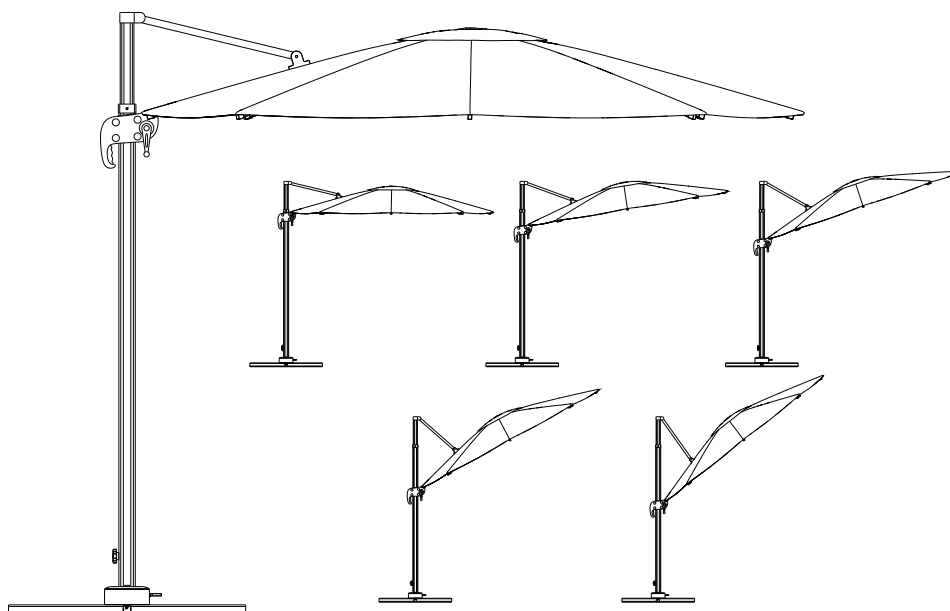
Step5

Insert the umbrella of part A into the leg of Part E, Fix the plum knob of Part K, Fix the crank of part G, Grab the wrench and press inside, Push up until the umbrella is half open, Hold down the marble on the umbrella bone and pull out the long umbrella bone



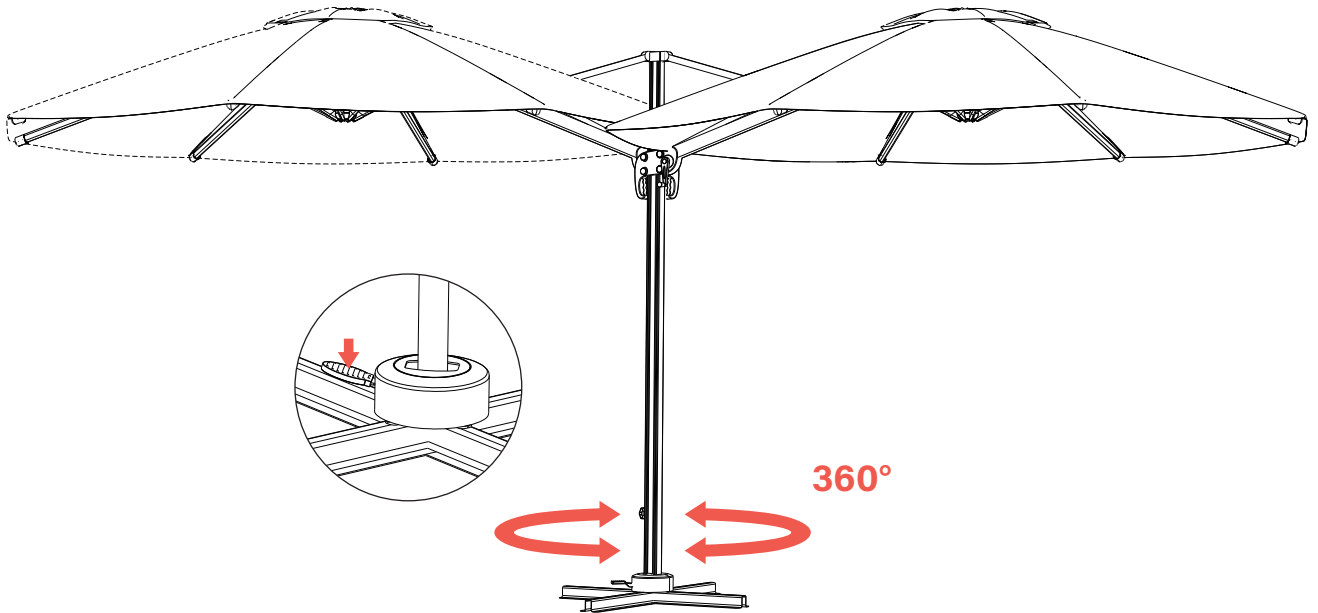
Step6 -Opening and Closing

umbrella has 5 adjustable positions. Turn the handle clockwise until the umbrella is fully extended



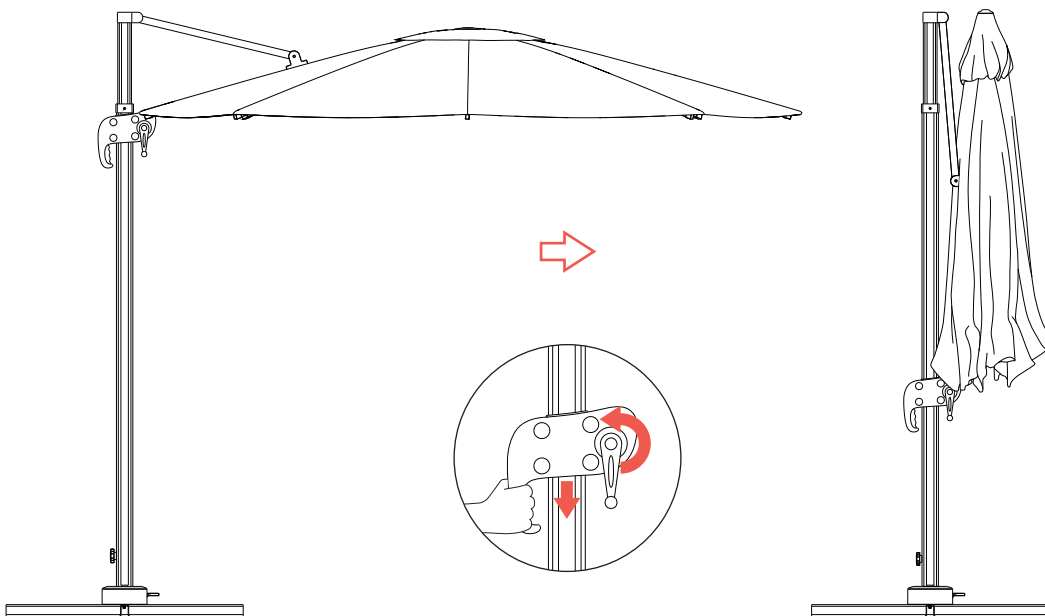
Step7

umbrella can be rotated 360°, just step on the pedal and grab the wrench to rotate



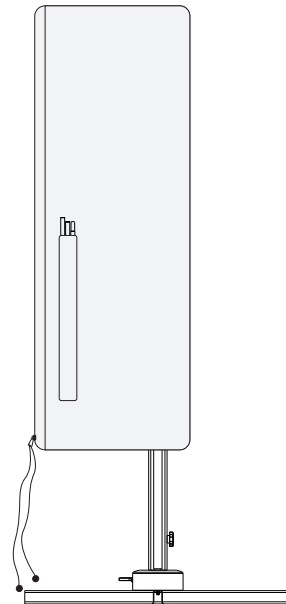
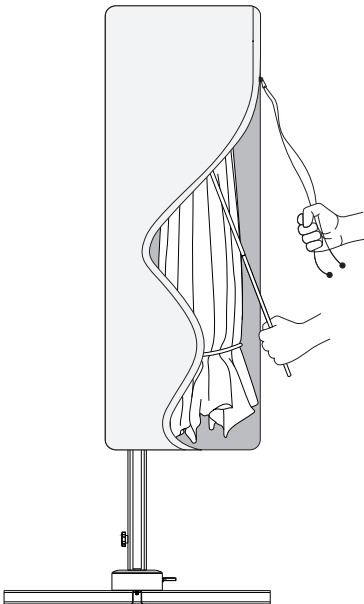
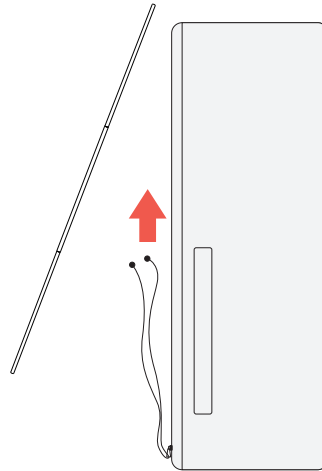
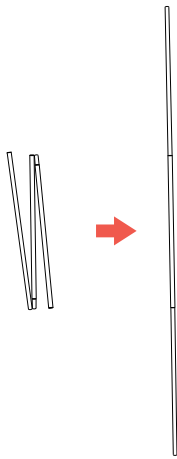
Step8

When not in use, turn counterclockwise and shake the handle, retract the umbrella, Grab the wrench and press inside, Pull down the wrench simultaneously



Step9: STROGE

- 1: Connect Support rod
- 2: Open the zipper, Use struts to prop up the umbrella cover to the top of the umbrella
- 3: Support rod the brace with one hand, Grab the rope with the other hand and pull it down, Close the zipper
- 4: Put the Support rod in the pocket of the umbrella cover



WARRANTY

Outdoor umbrella

1-year Warranty Program

For a period of two (1) years after date of purchase, the Manufacturer will either repair or replace defective components in accordance with this Limited Warranty. This warranty is between the Manufacturer and the original purchaser and is valid only when accompanied by the original purchaser's sales receipt showing original date of purchase and location of purchase. Replacements under this warranty revert back to the date of original purchase for future warranty

The manufacturer or its authorized dealer can accept or reject warranty claims based on its findings. This warranty applies in normal residential use only and is not intended for commercial use. The Manufacturer can make substitutions as required of materials, components, and sub-components of comparable value and utility. This warranty is limited to product repair or replacement (to be determined solely by the Manufacturer). Warranty return is limited to only the single affected component.

This limited warranty covers only manufacturing defects and does not cover normal wear and tear, damage due to acts of nature (such as, but not limited to freezing or high winds), abuse or misuse, including chemical damage from suntan oil or other chemicals, exposure to extreme heat or cold, abrasion or excessive weight. This product is intended to be used in standard installations only. This warranty is void if the product is not used for its intended purpose. The Manufacturer disclaims liability for any aspect of installation and any inconvenience caused by a defective part of a component

Certain items are not covered by this warranty. These include, but are not limited to the following:

1. Components subjected to abuse, including abuse intended to simulate failure
2. Damages caused by retailer, shipper or installation crew (such as scratches, dents, tears, chips, etc.)
3. Any part that only shows normal wear and tear on the surface, including debris, scratches, or material stretching and stitching.
4. Tears, punctures, scratches or any damage caused by improper installation or use.
5. Damage to frames/welds resulting from improper assembly or exposure to water and/or sub-freezing temperatures is not covered.
6. The fading caused by other external forces on the umbrella cloth surface is not included.

If you need after-sales service, please provide the original purchase record and a brief description of the problem. Please also provide your email address or mobile number

This is all express limited liability, we neither do nor bear any other guarantees. This exclusive remedy is limited to the acquisition and repair or replacement of any product or component deemed defective in accordance with the terms and conditions of this warranty. In any case, we will not be responsible for the use of this product, breach of this warranty or accident. Responsible for any accidental, indirect, special or consequential damages. Unless otherwise required by law. Except for the guarantees described here, there are no other express or implied guarantees, and all other guarantees are expressly denied, including any implied guarantees of merchantability or fitness for a specific purpose