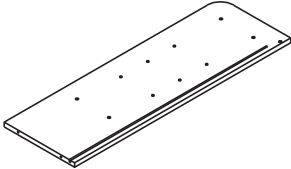
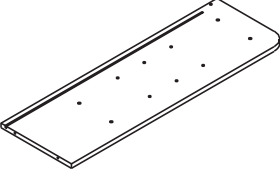
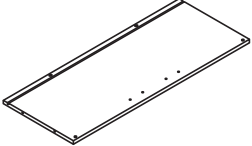
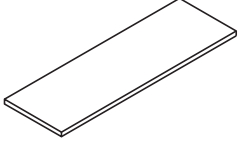
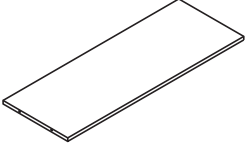
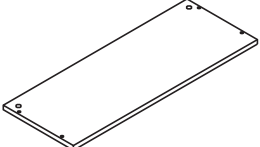
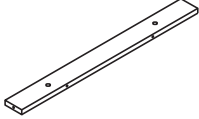
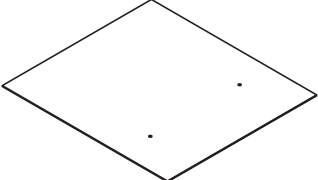


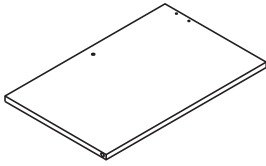
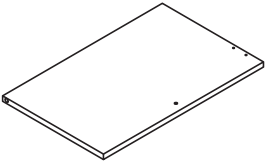
Two adults recommended
for assembly of this item

HK-TOR102

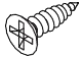
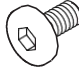
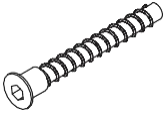
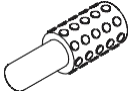
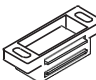

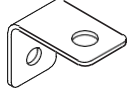

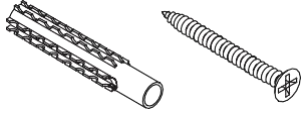


Components List

Letter (number)	Part	Design	Quantity
①	Left side panel		X1
②	Right side panel		X1
③	Front panel		X1
④	Adjustable shelf		X1
⑤	Fixed shelf		X1
⑥	Bottom panel		X1
⑦	Top rear connecting panel		X1
⑧	Back panel		X1

Components List

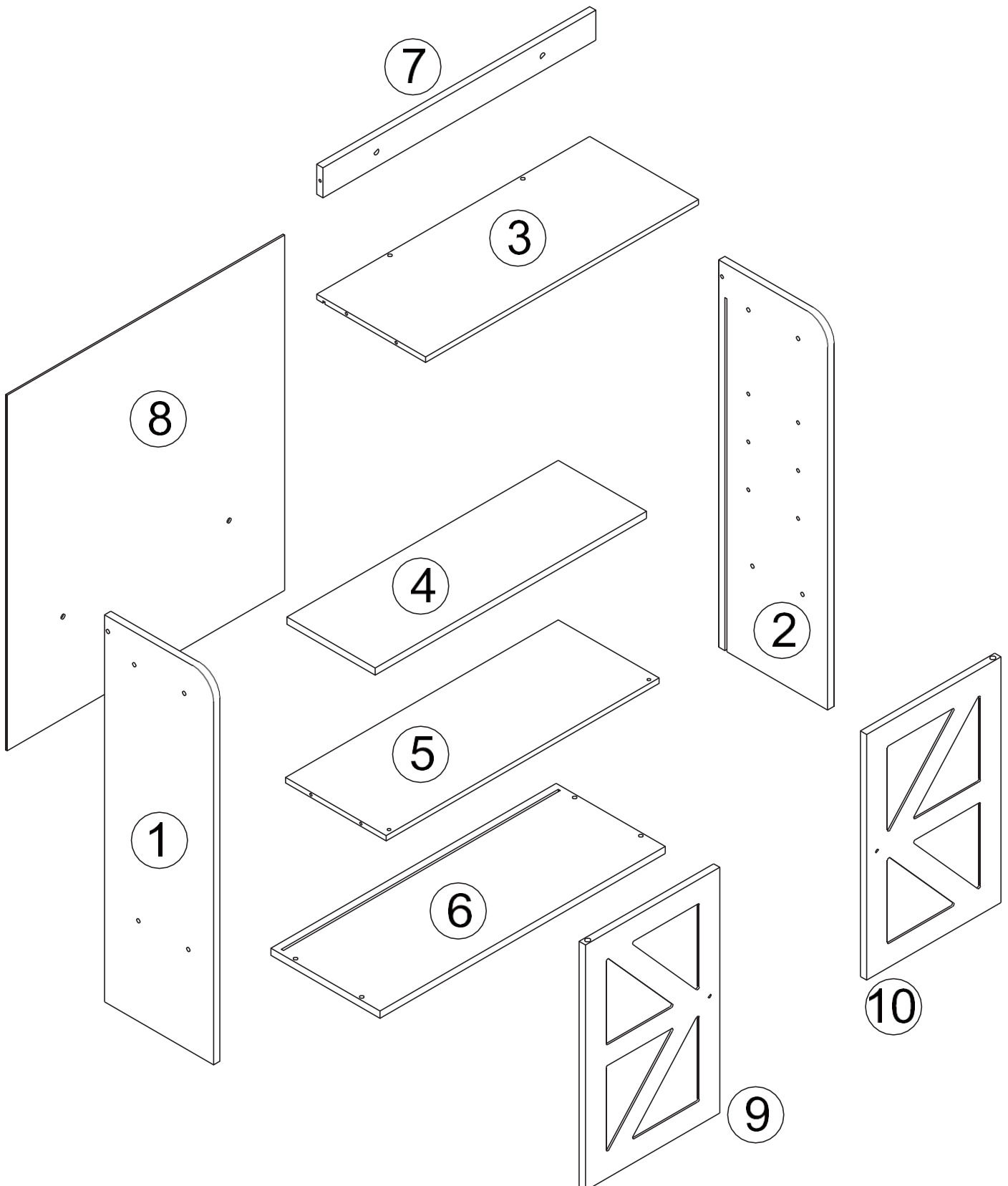
Letter (number)	Part	Design	Quantity
⑨	Left door panel		X1
⑩	Right door panel		X1

Components List

Letter (number)	Part	Design	Quantity
A	Screw M3.5*12mm		X4
B	Screw M6*12mm		X2
C	Screw M5*38mm		X16
D	Metal Pin		X4
E	Magnet		X2
F	Rotating Shaft		X4
G	L-Bracket		X2
H	Handle Grip		X2
I	Wall-Mounting Kit		X4
J	3mm Hex Key (Allen Wrench)		X1
K	Dual-Drive Screwdriver (flat/Phillips)		X1

IMPORTANT:

1. Before installation, carefully verify all parts to ensure correct assembly.
2. Initial screw tightening: Only tighten screws two-thirds of the way at first. After completing all steps and confirming proper alignment, fully tighten all screws.



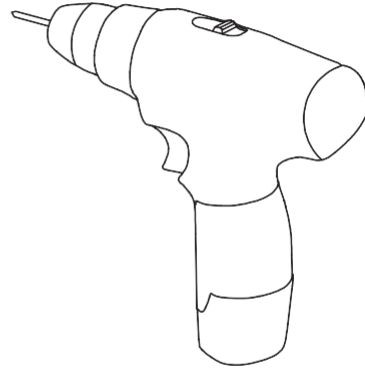
Self equipped tools:



Phillips Screwdriver
(Not included)

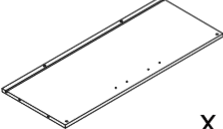
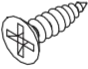
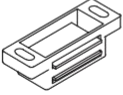



Flat Head Screwdriver
(Not included)

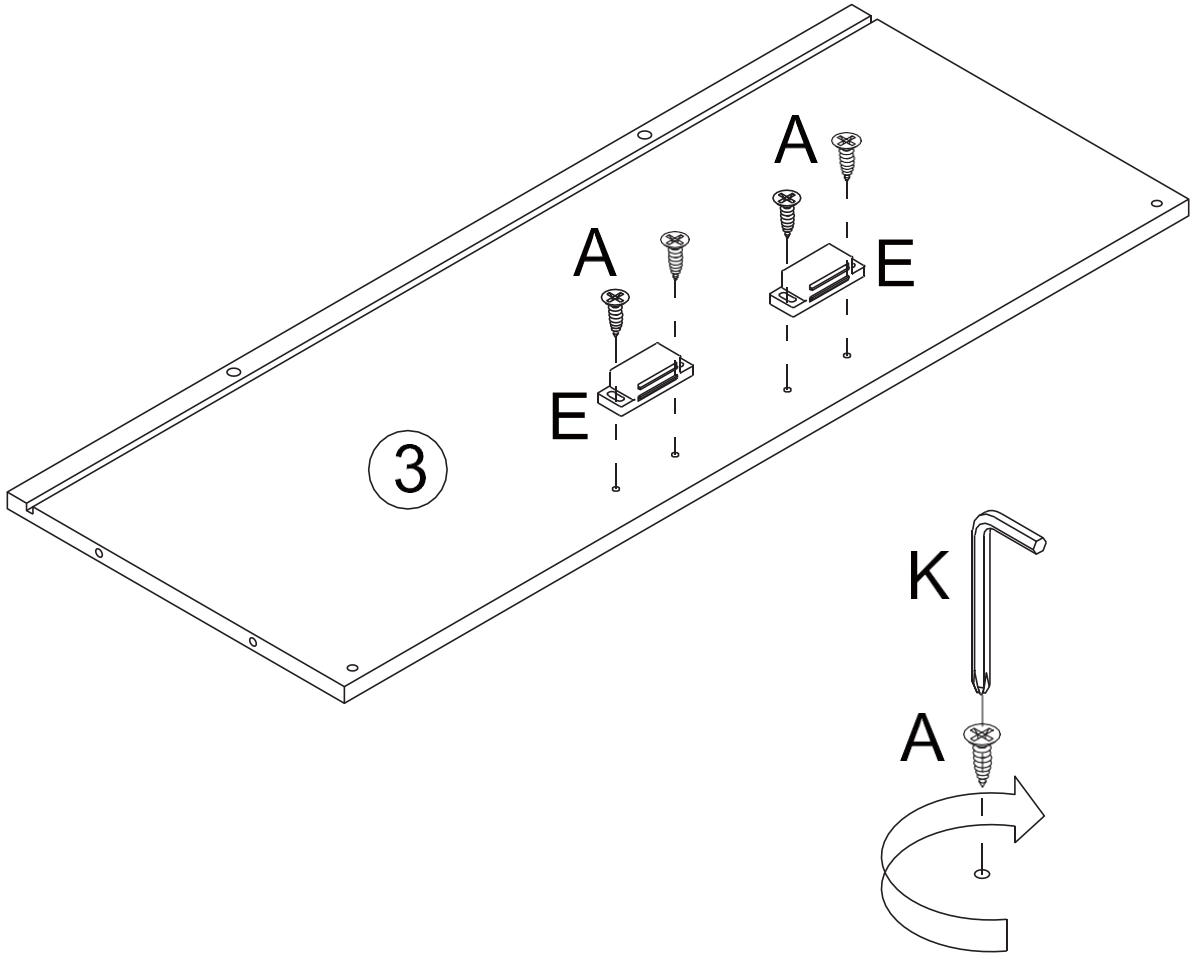


Electric Drill
(Not included)

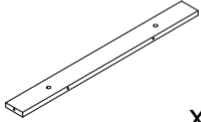


Step 1

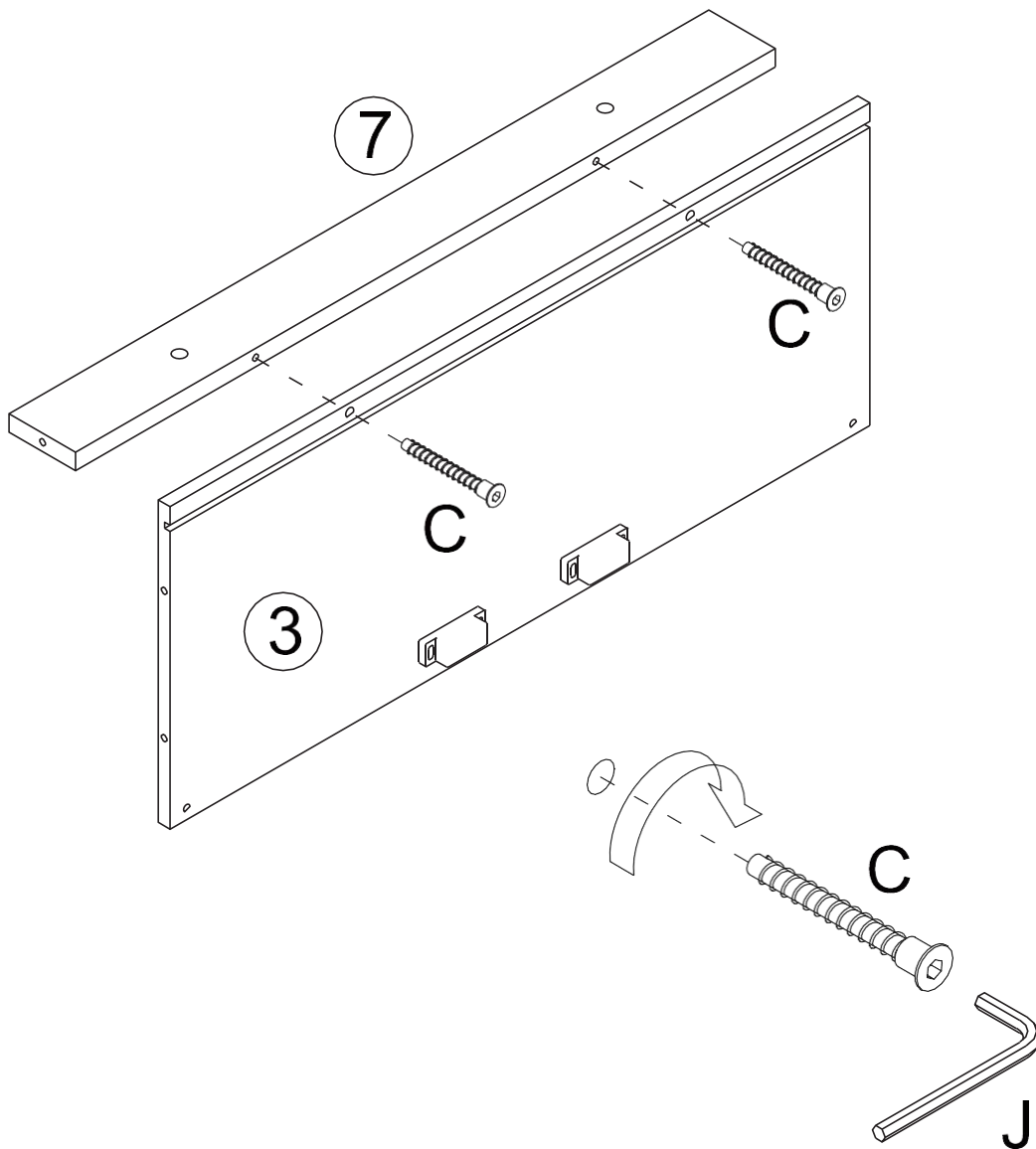
③	A	E	K
 x 1	 x 4	 x 2	

Leave screws loose until all parts are positioned, then tighten fully.

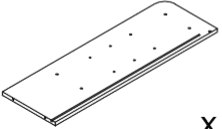




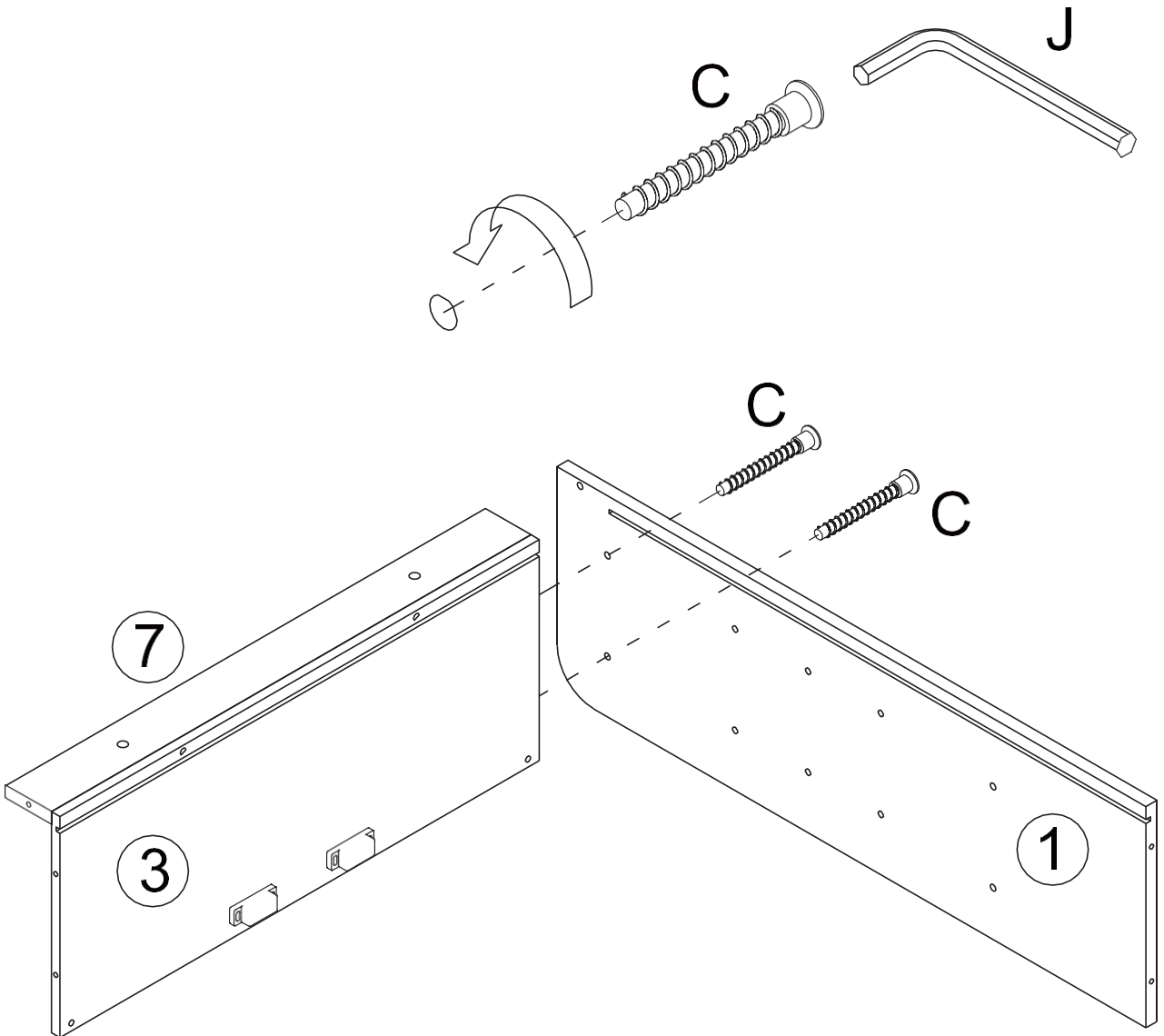
Step 2

7	C	J
 x 1	 x 2	

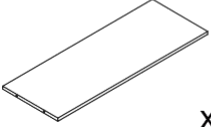
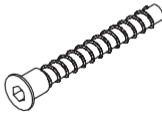



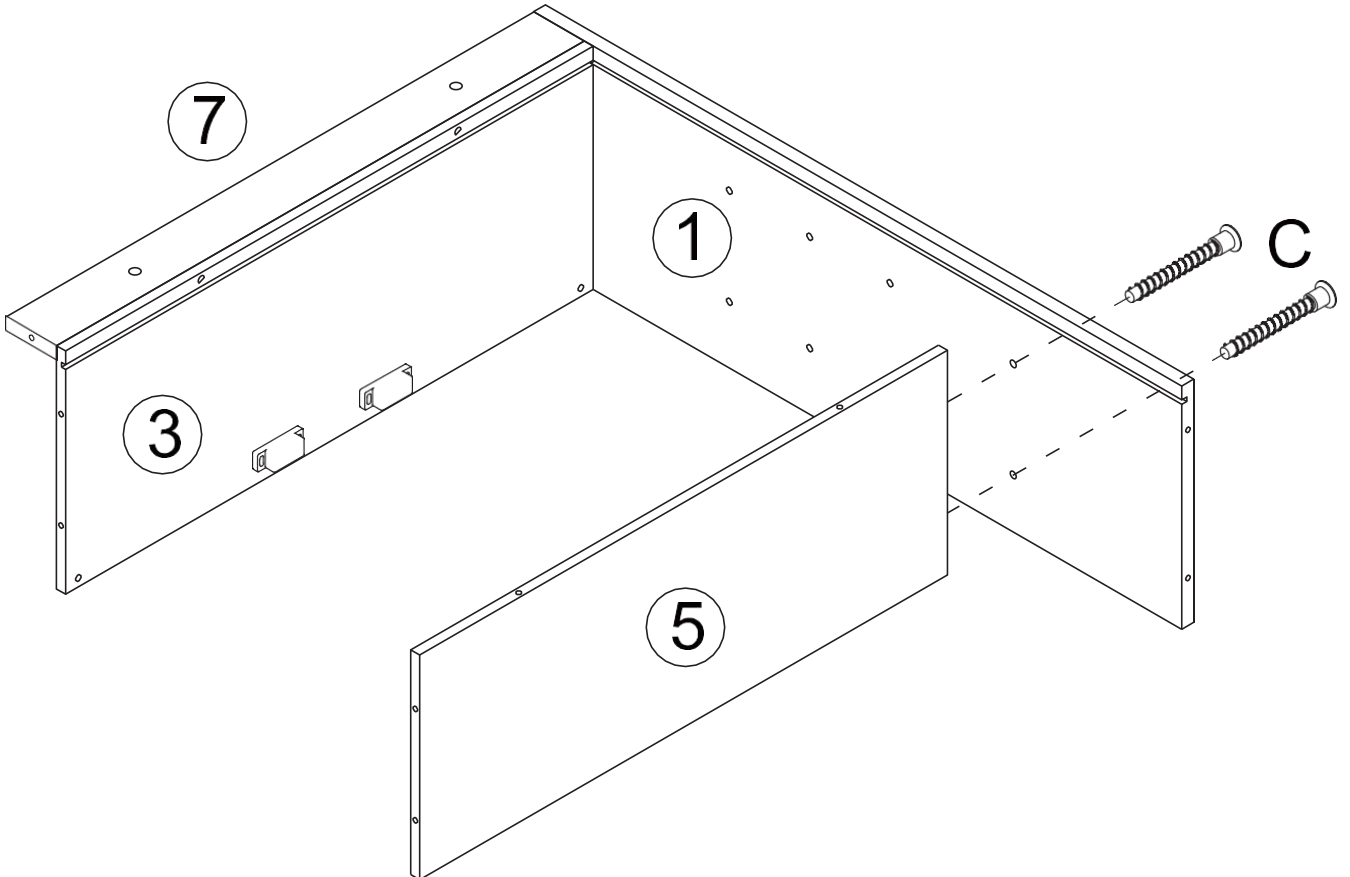
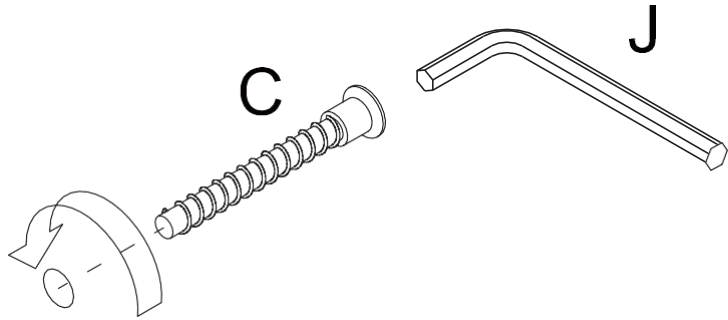
Step 3

①	C	J
 x 1	 x 2	

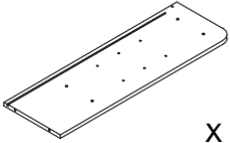




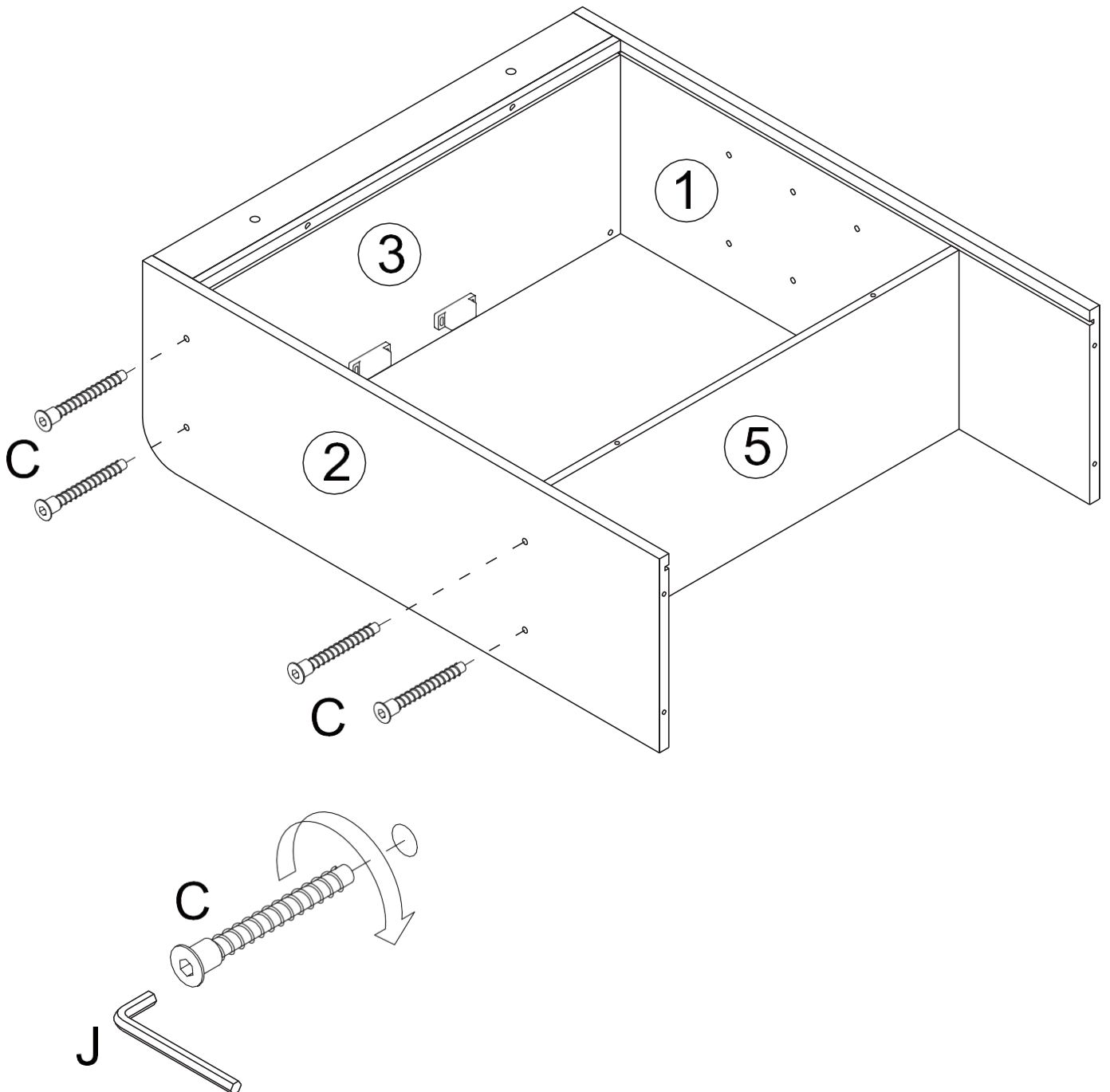
Step 4

⑤	C	J
 x 1	 x 2	

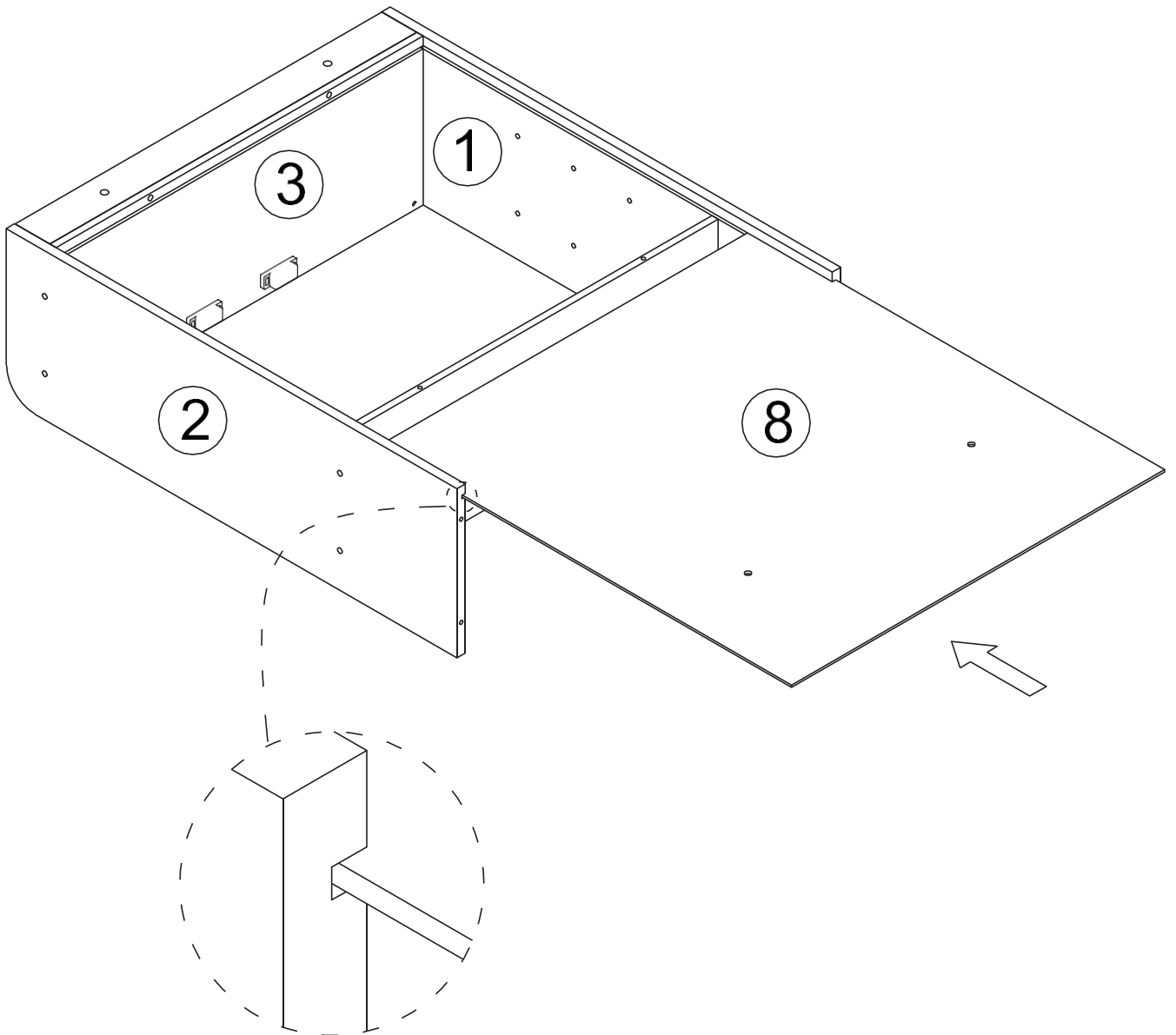
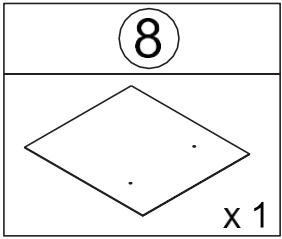


Step 5

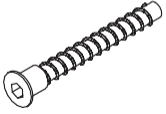

②	C	J
 x 1	 x 4	

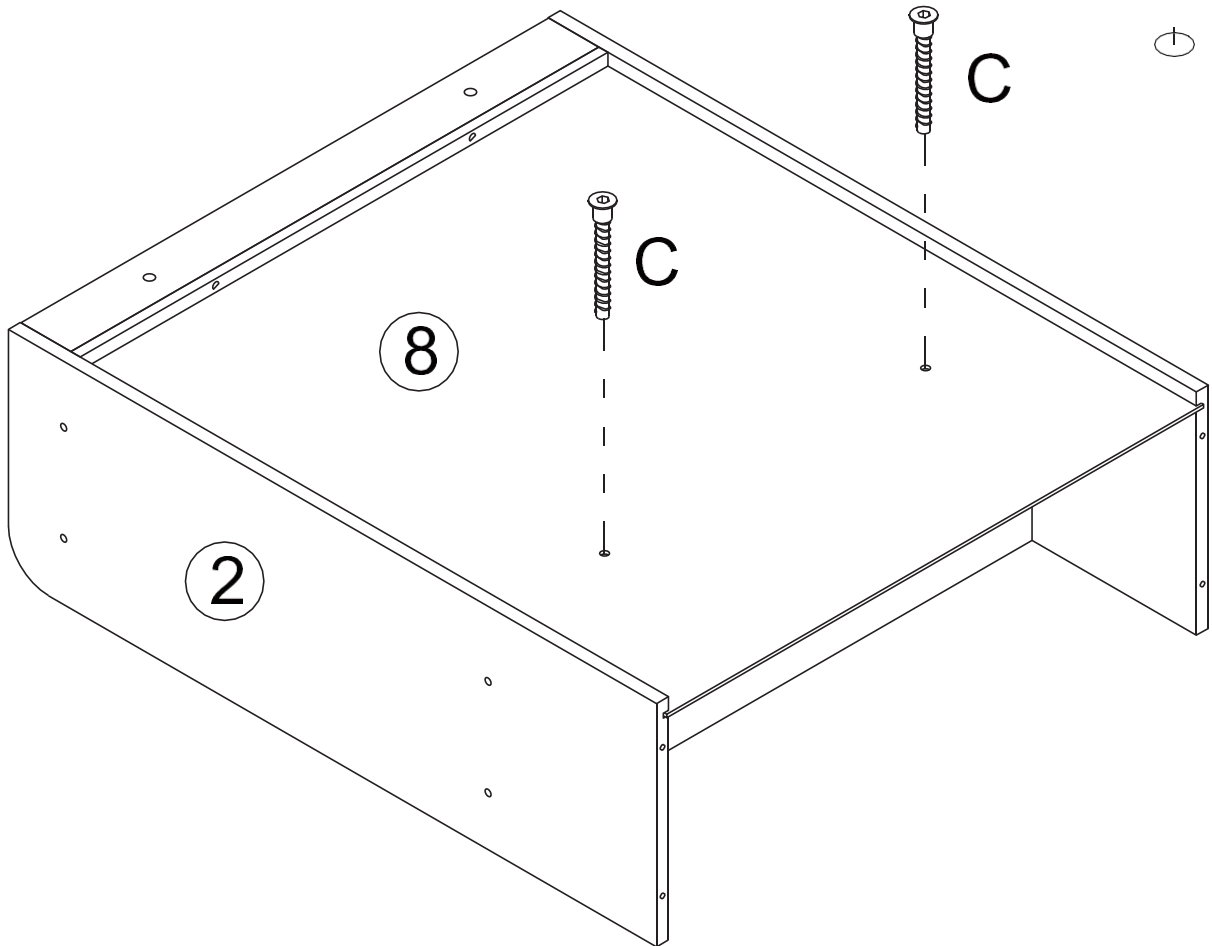
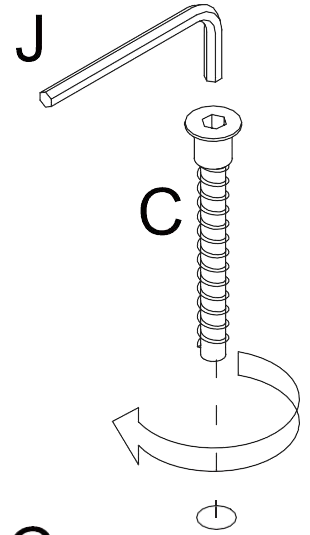


Step 6

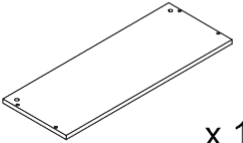




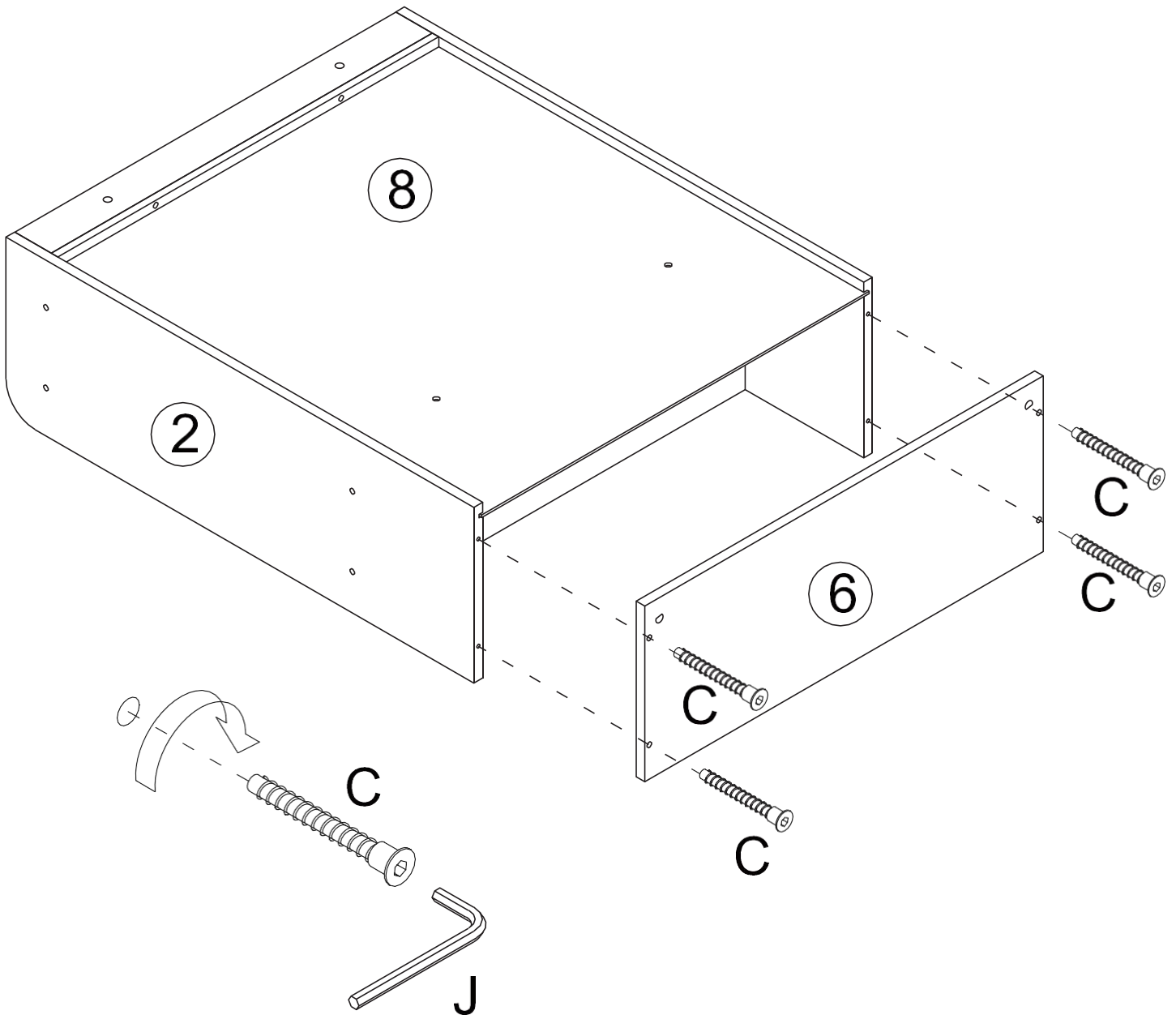
Step 7

C	J
 x 2	

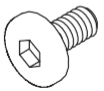
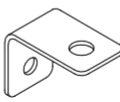



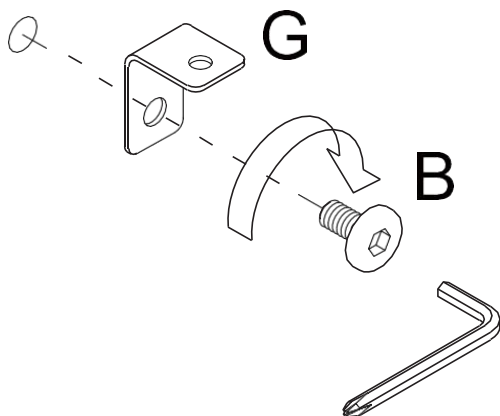
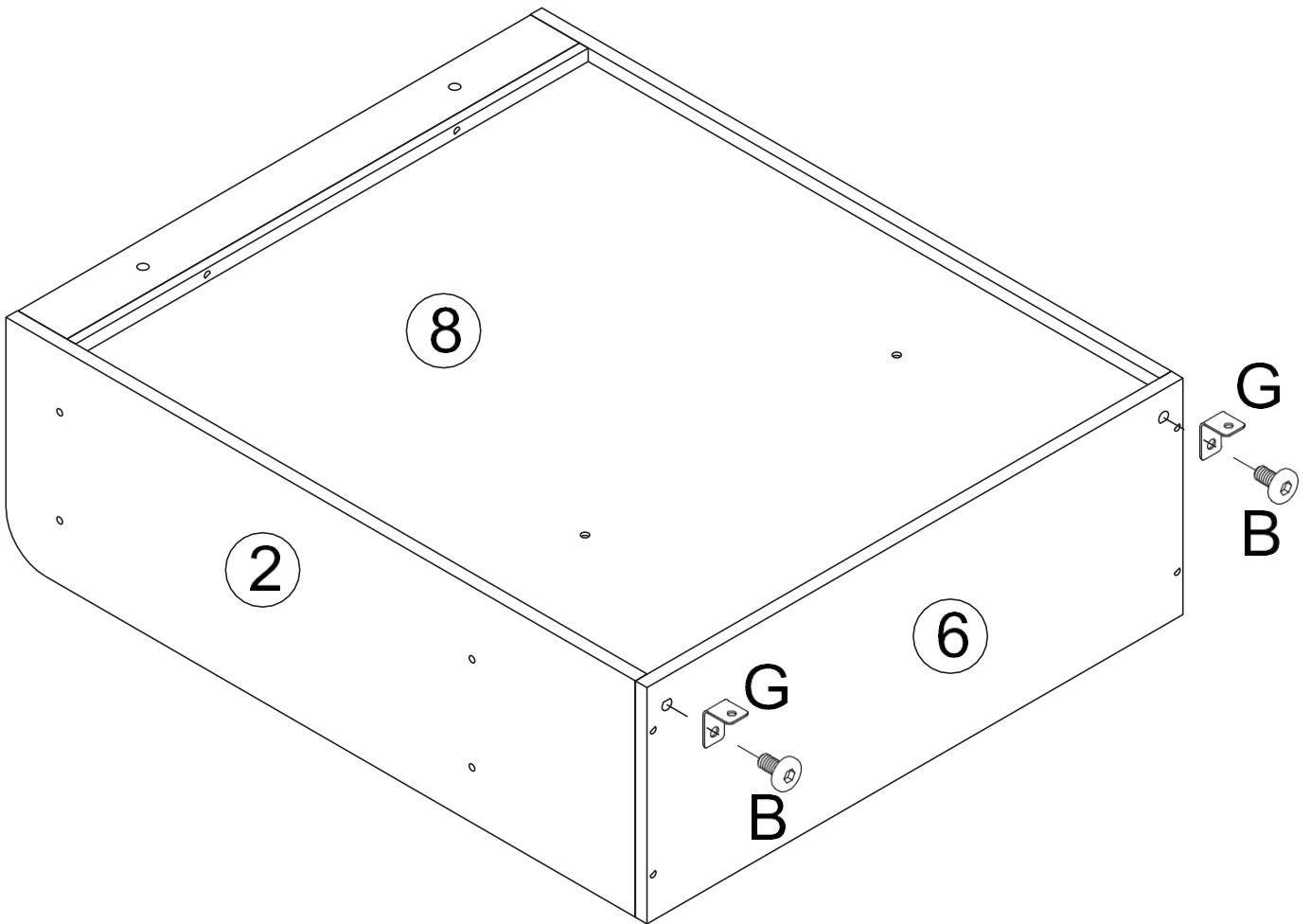
Step 8

6	C	J
 x 1	 x 4	

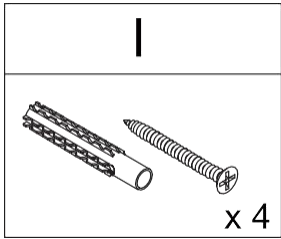


Step 7

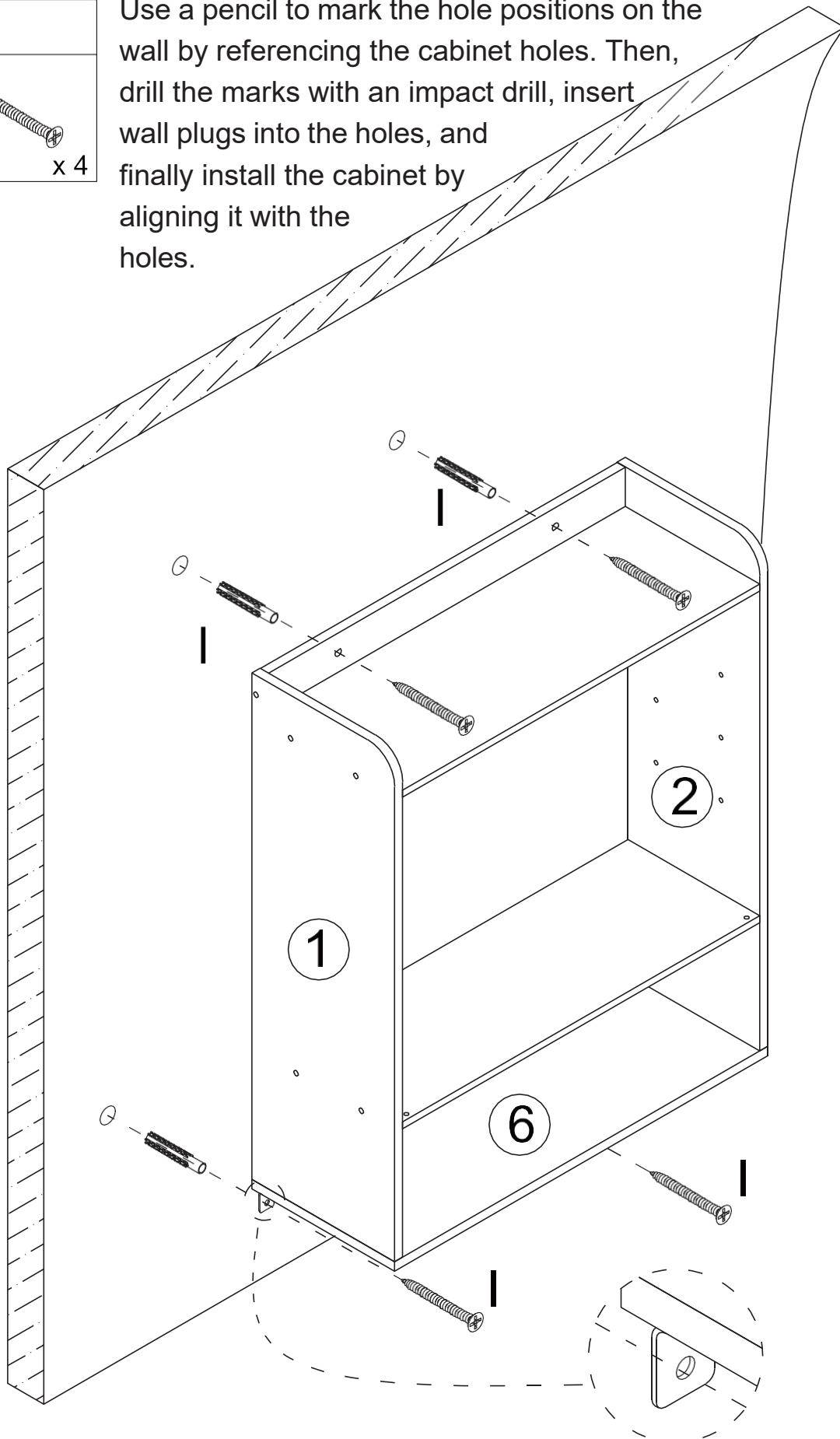
B	G	K
 x 2	 x 2	



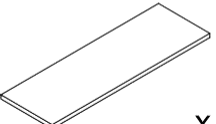
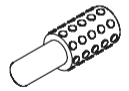
Step 10

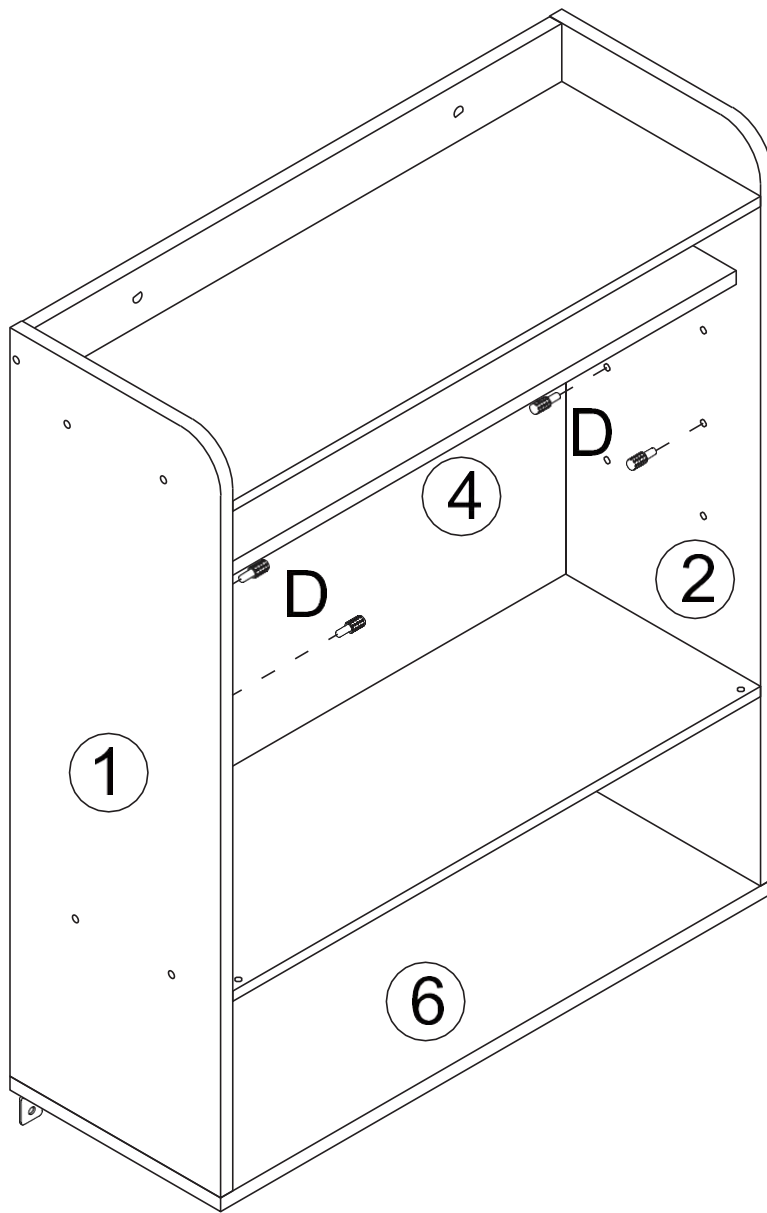


Use a pencil to mark the hole positions on the wall by referencing the cabinet holes. Then, drill the marks with an impact drill, insert wall plugs into the holes, and finally install the cabinet by aligning it with the holes.

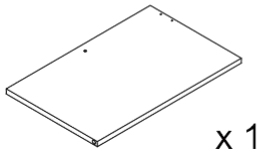
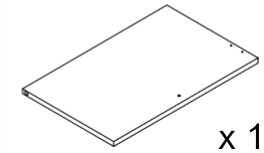

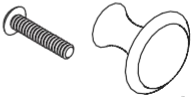


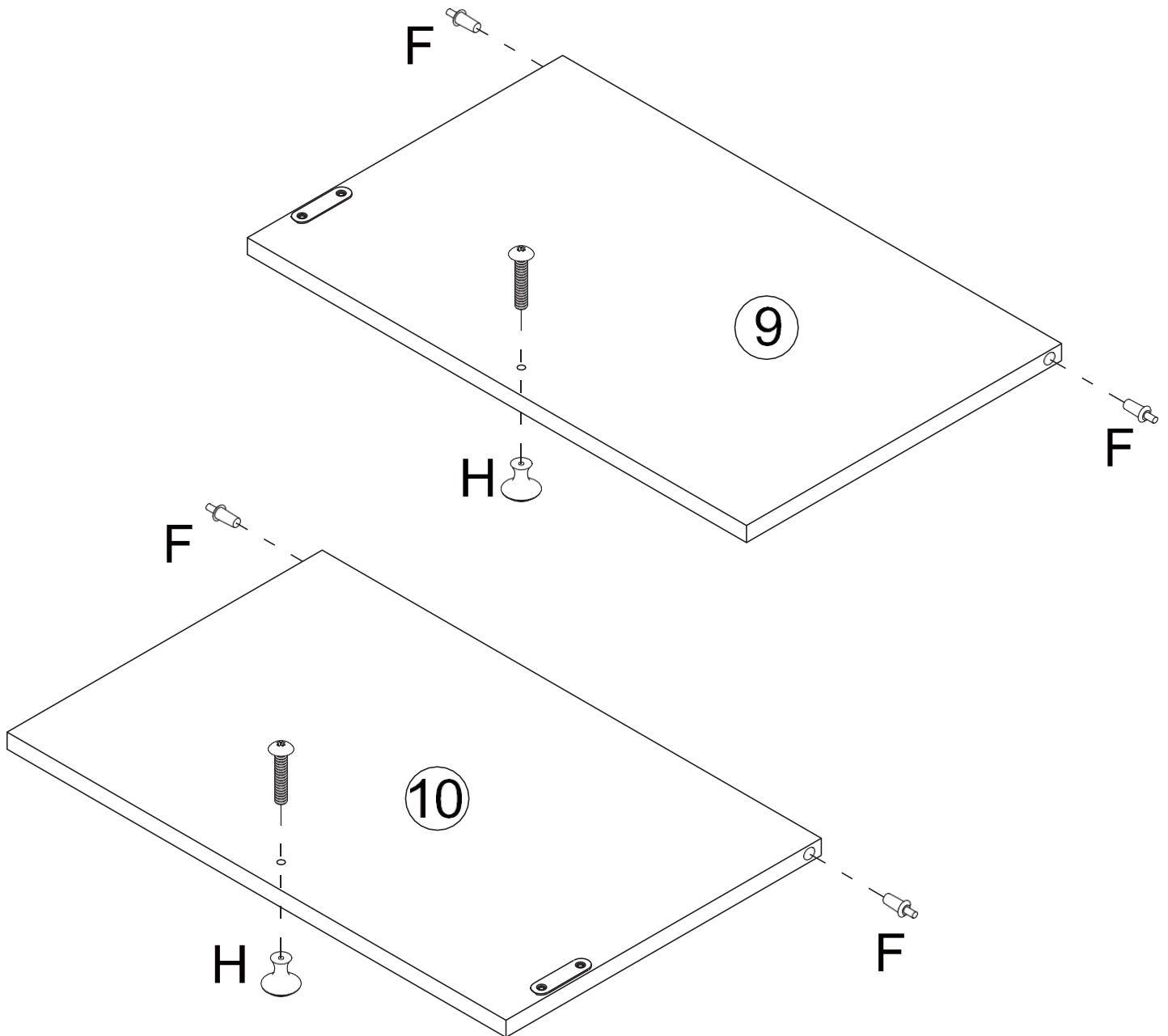
Step 10

④	D
 x 1	 x 4



Step 10

9	10	F	H
 x 1	 x 1	 x 4	 x 2



Step 12

