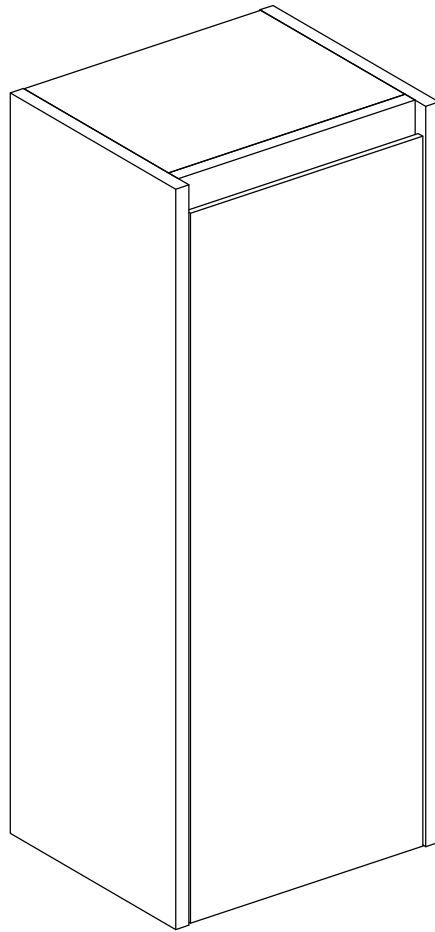


BAMBOO CABINET-SLIM



W2207P374664

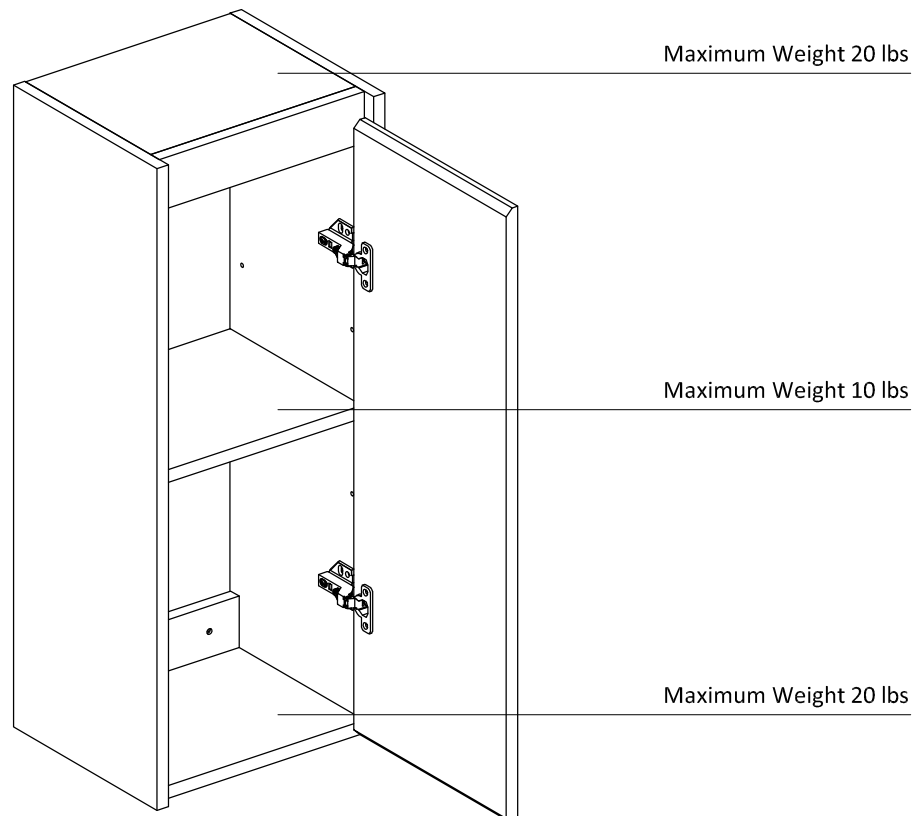
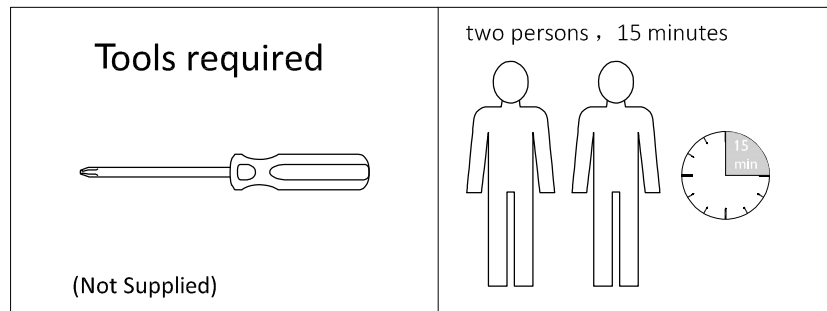
Getting started

Thank you for purchasing **this product**. Read the instructions and warnings carefully before use, to ensure safe and satisfactory operation of this product.

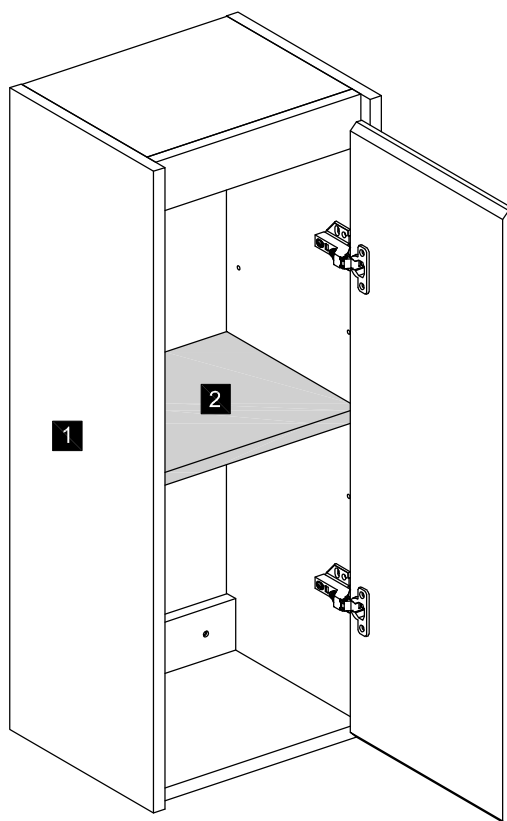


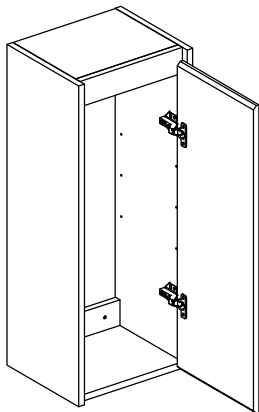
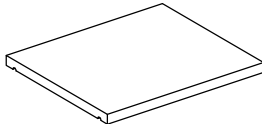
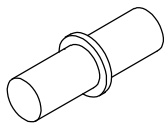
WARNING

- Do not let any sharp objects touch or rub the surface of the product.
- When assembling, do not let children play around the working area.
- Please confirm all parts are correct before starting the assembly process.
- Do not tighten all bolts and screws completely until the entire unit has been assembled and set up.
- **DO NOT USE POWER TOOLS.**
- Power tools can over tighten screws and strip threads.
- For each screw:
 1. Tighten each screw until you meet resistance.
 2. Tighten one additional full rotation. **DO NOT OVER TIGHTEN.**



Fittings and parts checklist



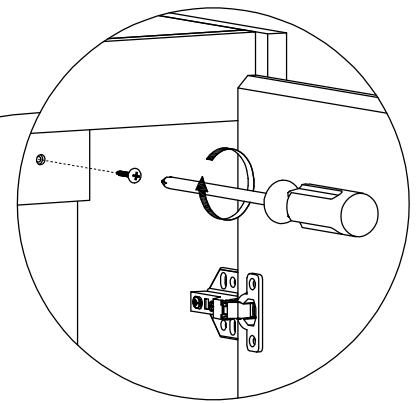
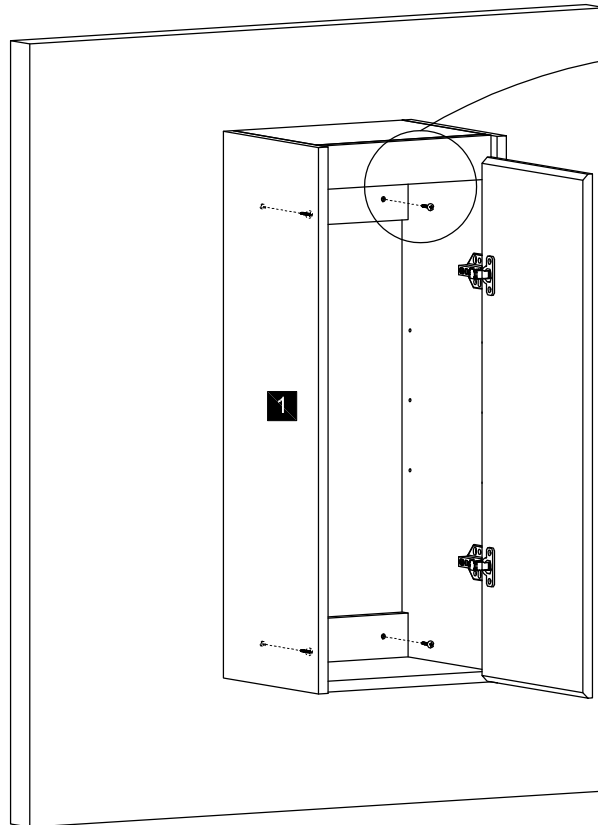
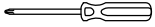
No.	Picture	Name	Qty	No.	Picture	Name	Qty
1		Cabinet	1	2		Adjustable shelf	1
A		Shelf Support	4				

Product assembly

Step 1

Parts, fittings and tools

1



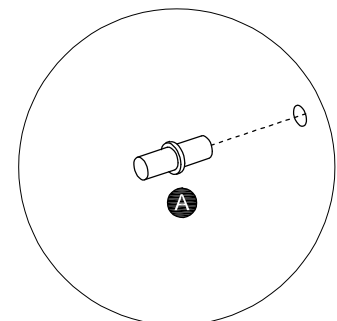
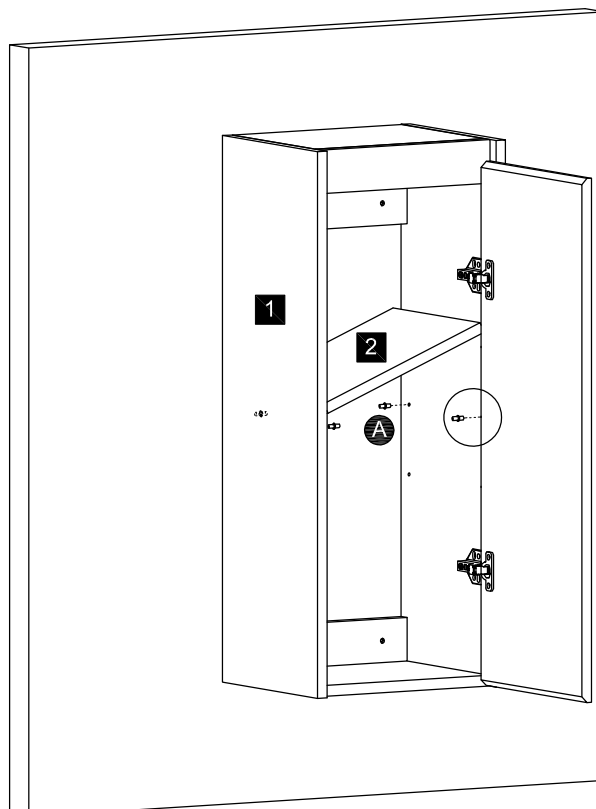
PLEASE NOTE:
For your safety, to prevent the danger of this unit tipping over, it is important to choose a right anchor suitable for your wall and attach it properly.

Step 2

Parts, fittings and tools

1

2



Step 3

Parts, fittings and tools

1

