

WICKER 3PCS LOUNGE SET-OTTOMAN



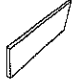

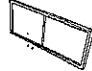



IMPORTANT: PLEASE READ COMPLETE INSTRUCTION SHEET PRIOR TO ASSEMBLY! Identify all parts packed in carton against the parts list. Remove all protective materials, place parts on a nonabrasive surface to avoid scratching. If any parts are missing or damaged, DO NOT attempt to assemble. Please contact our customer service center

Step 1

Attach the seat panel (A) and long side panel (B) to the short side panel (C), using the Allen bolts (E) and washer (F). Using the Allen wrench (G) tighten all bolts. Cover the bolts with the plastic bolt cap (D)

Step 2

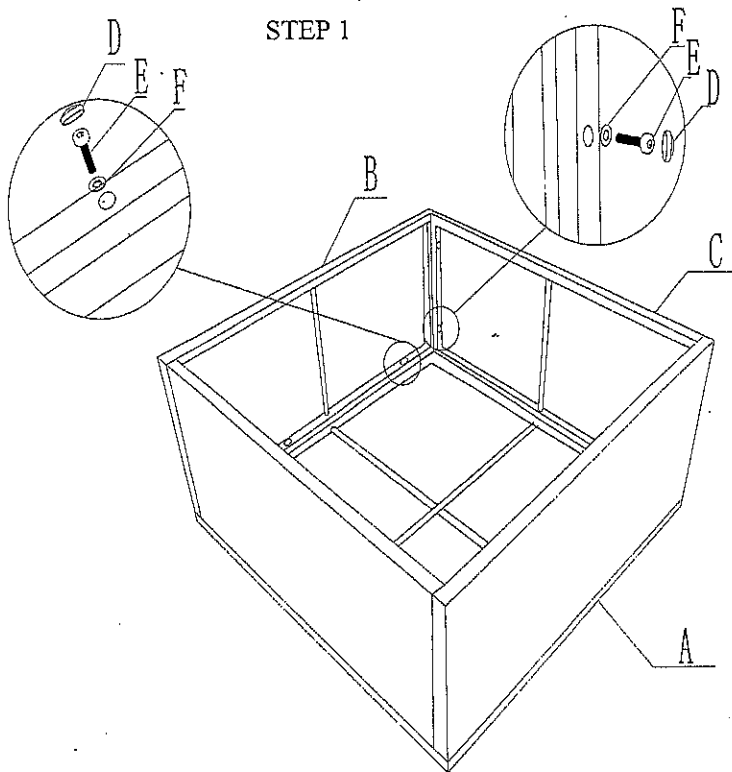
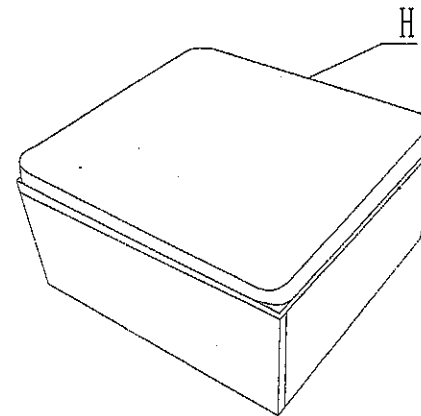
Place the seat cushion (H) on the ottoman.

PARTS LIST							
A	SEAT PANEL		1	E	ALLEN BOLT M6x28mm		12
B	LONG SIDE PANEL		2	F	STEEL WASHER		12
C	SHORT SIDE PANEL		2	G	ALLEN WRENCH		1
D	PLASTIC BOLT CAP		12	H	CUSHION		1

IMPORTANT: To avoid damage to your furniture:

- In storing patio furniture, do not stack anything on glass, stone or marble table tops.
- Before storing, drain all water that may have accumulated in or around the furniture frame. If not drained properly, water can cause freeze damage.
- Cover furniture with outdoor furniture covers when not in use

STEP 2



WICKER 3PCS LOUNGE SET - LOUNGE CHAIR&LOVE SEAT

IMPORTANT: PLEASE READ COMPLETE INSTRUCTION SHEET PRIOR TO ASSEMBLY!

Identify all parts packed in carton against the parts list. Remove all protective materials, place parts on a nonabrasive surface to avoid scratching. If any parts are missing or damaged, DO NOT attempt to assemble. Please contact our customer service center

Step 1

Attach the right chair arms (A&D) to the chair seat (B), using the Allen bolts (H&I) and metal washers (L). Do not tighten completely.

Step 2

Attach the chair back (C) to the chair seat (B), using the Allen bolts (H) and metal washer (L). Do not tighten completely.

Step 3

Attach the left chair arm (D) to the lounge chair seat (E), using the Allen bolts (H) and using the Allen bolts and metal washer (L). Do not tighten completely.

Step 4

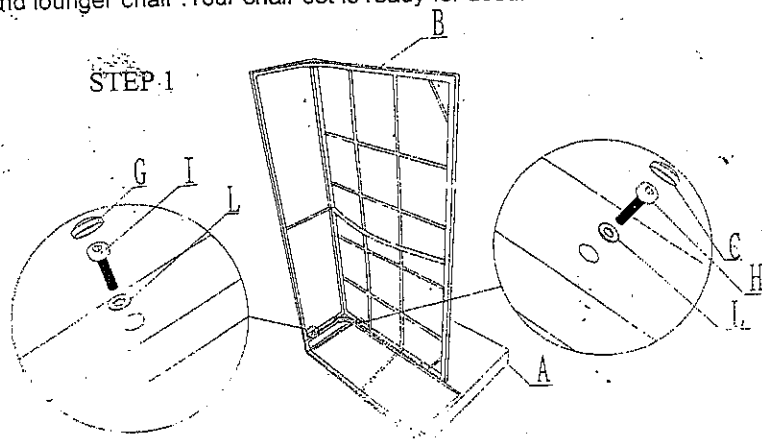
Attach the lounge chair back (F) to the lounge chair seat (E), using the Allen bolts (H) and metal washer (L). Do not tighten completely.

Step 5

Attach the lounge chair to the love seat, using the Allen bolts (K&J) and metal washer (L) and nuts (M), tighten all bolts using Allen wrench (P) and Hex wrench (O). Cover the bolts with plastic bolt cap (G) and nuts cap (N).

Step 6

Placed the back cushion (Q) and seat cushion (R) and lounge cushion (S) on the loveseat and lounge chair. Your chair set is ready for used.

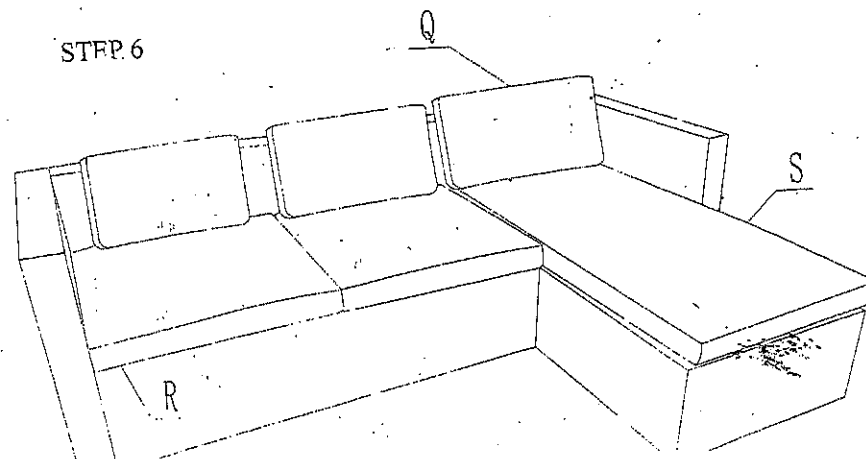
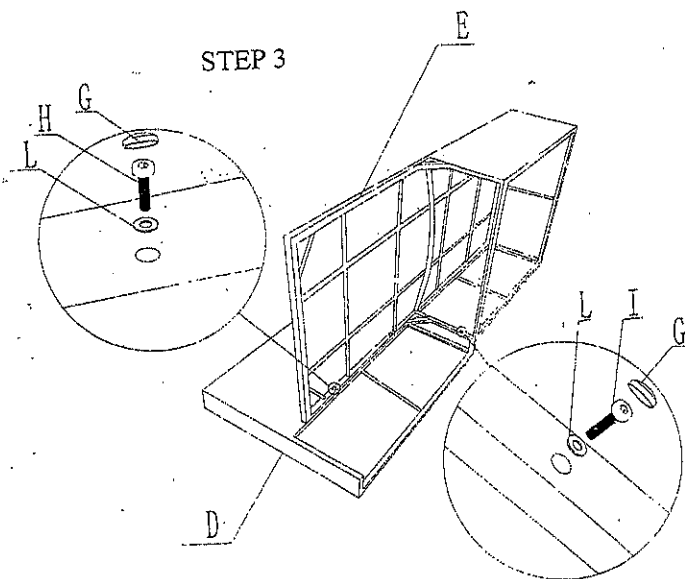
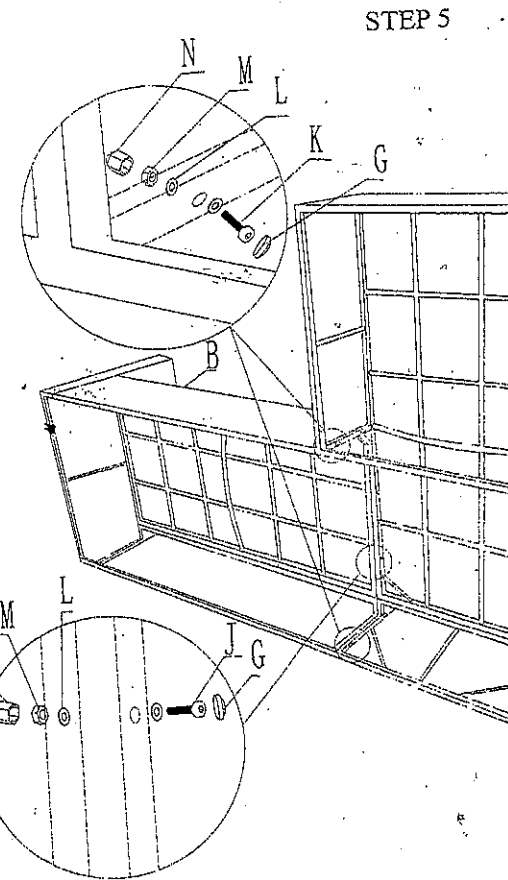
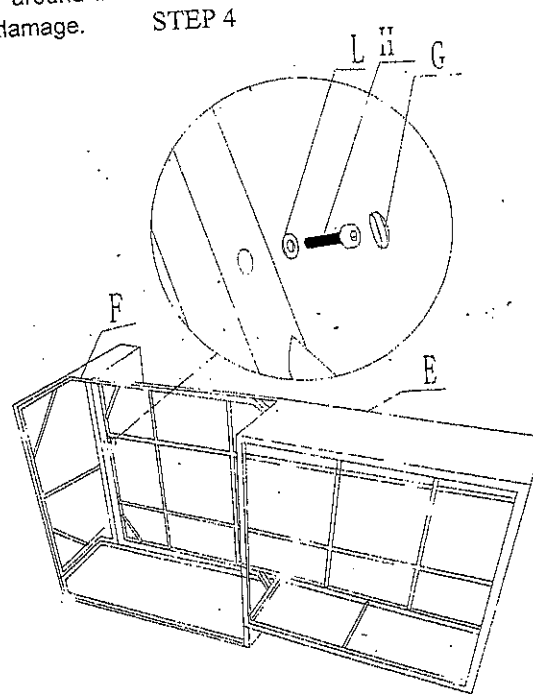
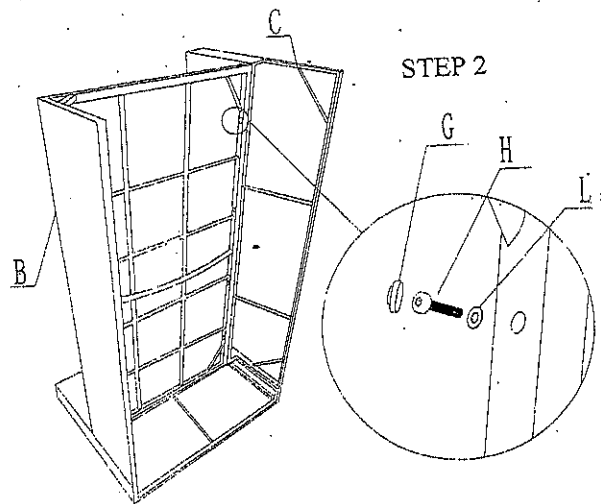


PARTS LIST						
A	RIGHT CHAIR ARM		1	K	ALLEN BOLT M6x45mm	4
B	LOVESEAT SEAT		1	L	STEEL WASHER	24
C	LOVESEAT BACK		1	M	NUTS	6
D	LEFT CHAIR ARM		1	N	NUTS CAP	6
E	LOUNGER CHAIR SEAT		1	O	HEX WRENCH	2
F	LOUNGER CHAIR BACK		1	P	ALLEN WRENCH	2
G	PLASTIC BOLT CAP		24	Q	BACK CUSHION	3
H	ALLEN BOLT M6*40		10	R	SEAT CUSHION	2
I	ALLEN BOLT M6x28mm		8	S	LOUNGER CHAIR CUSHION	1
J	ALLEN BOLT M6x60mm		2			

IMPORTANT: To avoid damage to your furniture:

- In setting patio furniture, do not stack anything on glass, stone or marble table tops.

- In storing patio furniture, do not stack anything on glass, stone or marble table tops.
- Before storing, drain all water that may have accumulated in or around the furniture frame. If not drained properly, water can cause freeze damage.
- Cover furniture with outdoor furniture covers when not in use.



Second way:

Step 1

Attach the right chair arms (A&D) to the chair seat (B), using the Allen bolts (H&I) and metal washers (L). Do not tighten completely.

Step 2

Attach the chair back (C) to the chair seat (B), using the Allen bolts (H) and metal washer (L). Do not tighten completely.

Step 3

Attach the left chair arm (D) to the lounge chair seat (E), using the Allen bolts (H) and using the Allen bolts and metal washer (L). Do not tighten completely.

Step 4

Attach the lounge chair back (F) to the lounge chair seat (E), using the Allen bolts (H) and metal washer (L). Do not tighten completely.

Step 5

Attach the lounge chair to the love seat, using the Allen bolts (K&J) and metal washer (L) and nuts (M), tighten all bolts using Allen wrench (P) and Hex wrench (O). Cover the bolts with plastic bolt cap (G) and nuts cap (N).

Step 6

Place the back cushion (Q) and seat cushion (R) and lounge cushion (S) on the loveseat and lounge chair. Your chair set is ready for use.

