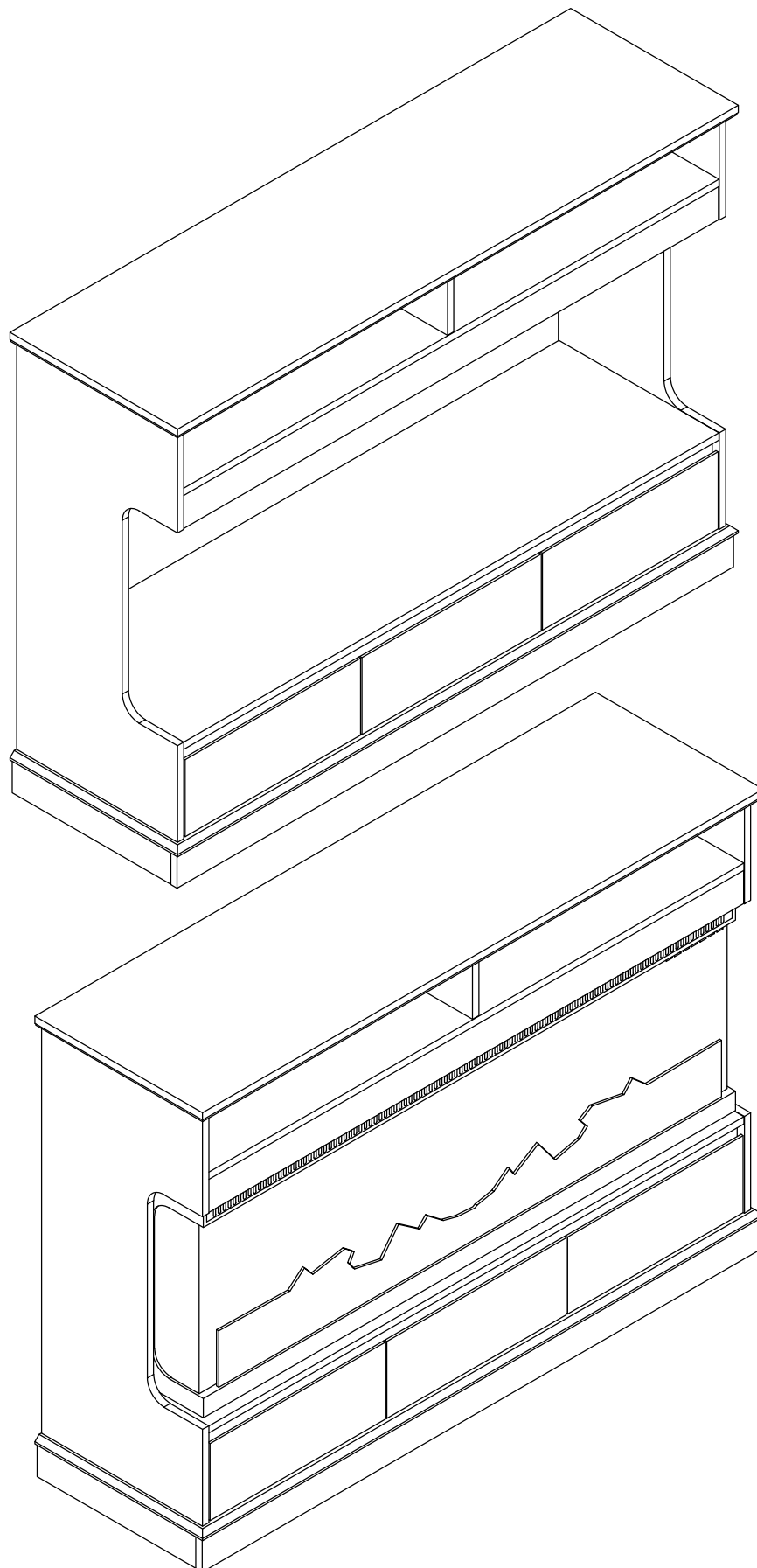
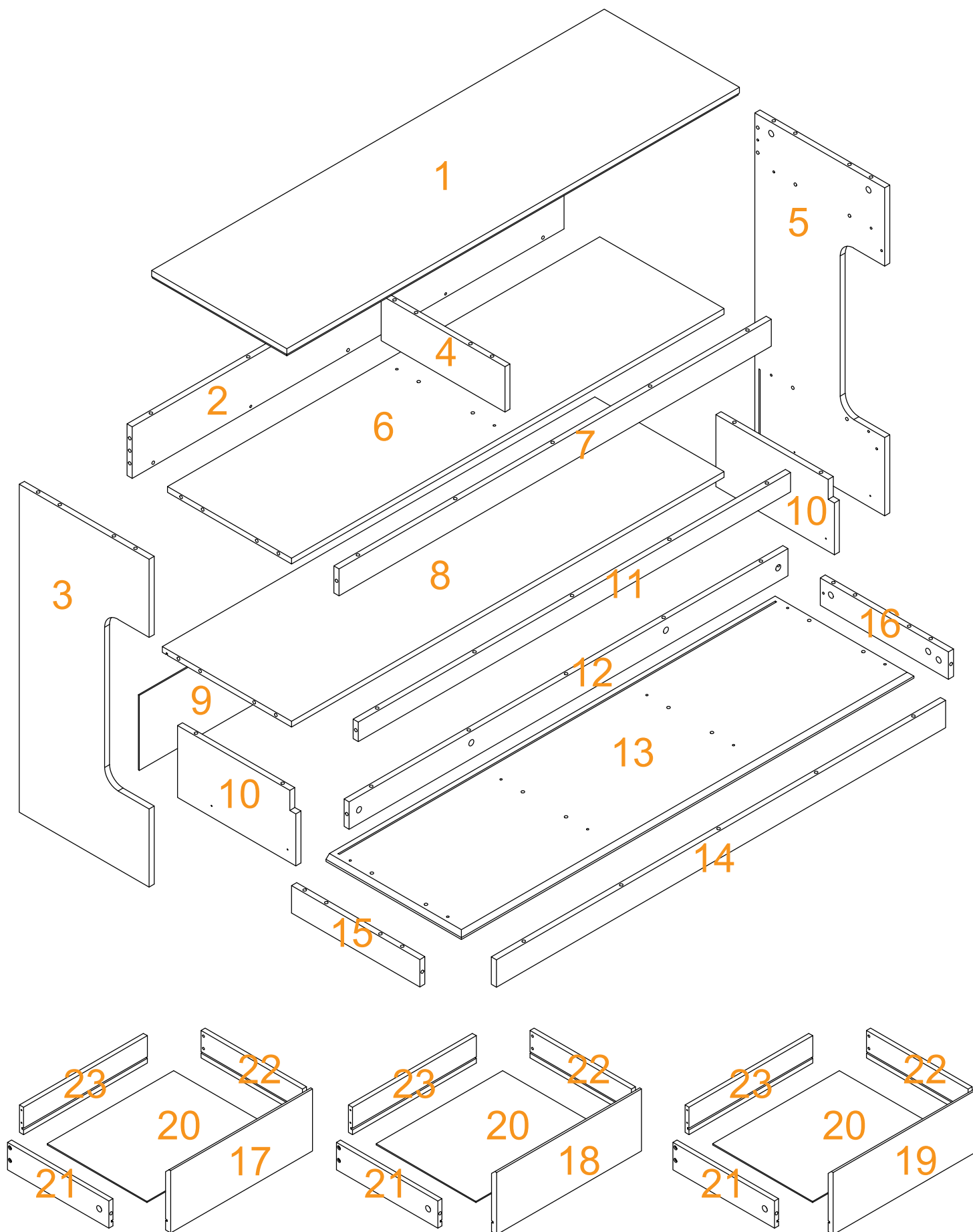
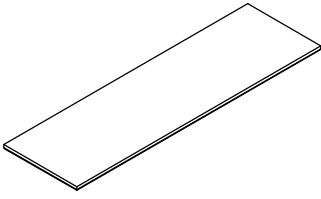


SKU:SF001013



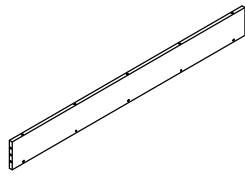


Parts List



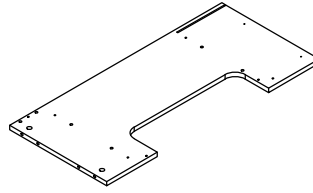
1

1PC



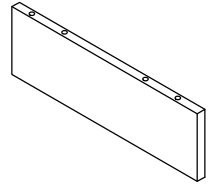
2

1PC



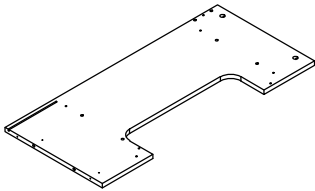
3

1PC



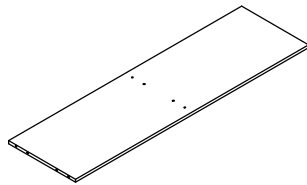
4

1PC



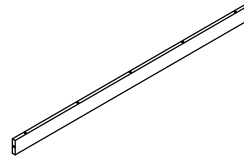
5

1PC



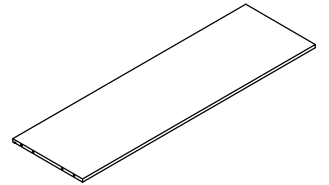
6

1PC



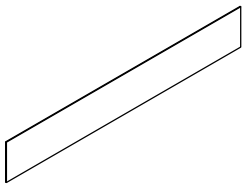
7

1PC



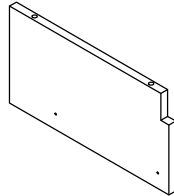
8

1PC



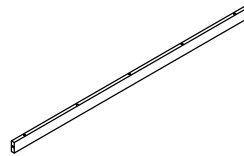
9

1PC



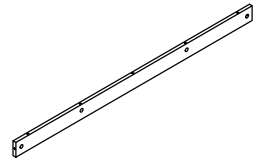
10

2PCS



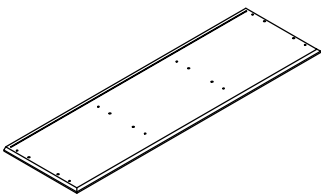
11

1PC



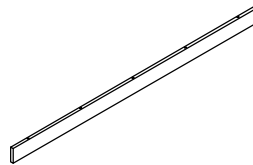
12

1PC



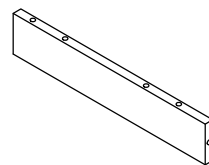
13

1PC



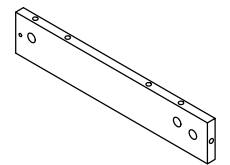
14

1PC



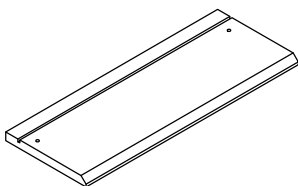
15

1PC



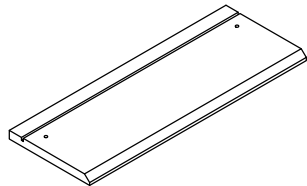
16

1PC



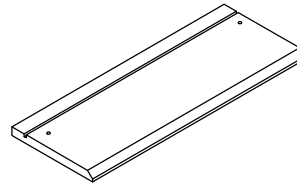
17

1PC



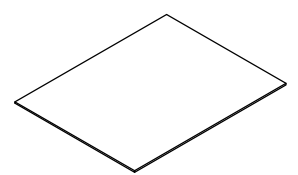
18

1PC



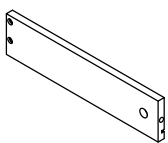
19

1PC



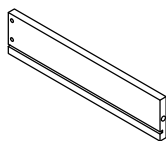
20

3PCS



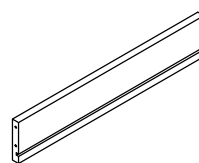
21

3PCS



22

3PCS



23

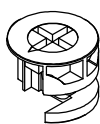
3PCS

Hardware List



A

48PCS



Ø15

B

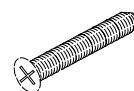
48PCS



Ø8*30mm

C

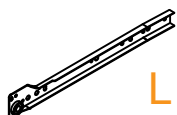
50PCS



Ø4*40mm

D

24PCS



L

E

3PCS



R

F

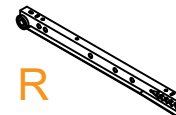
3PCS



L

G

3PCS



R

H

3PCS

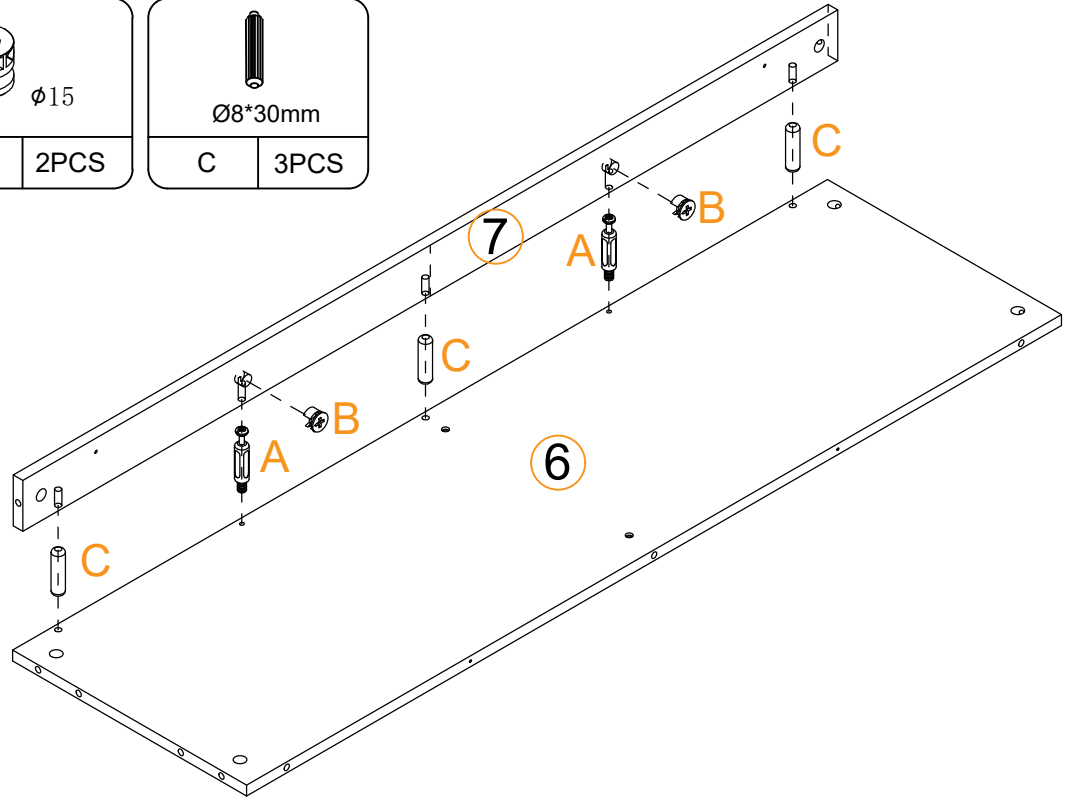
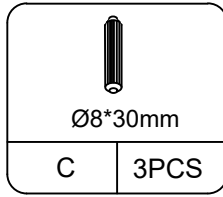
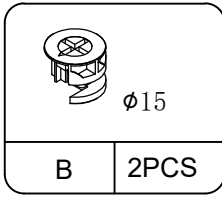
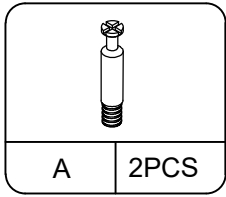


Ø3*12mm

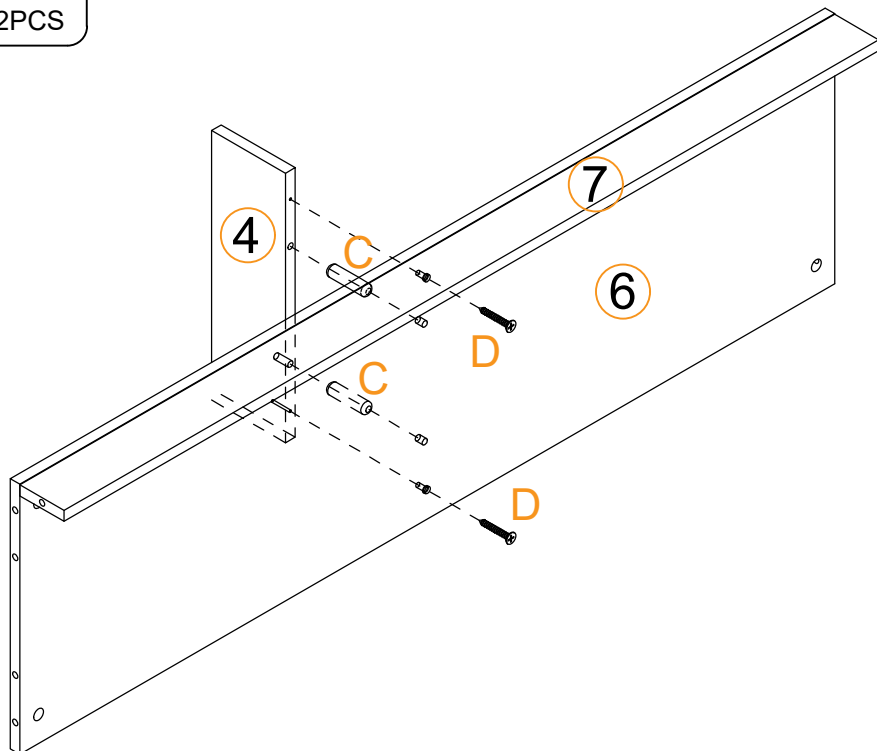
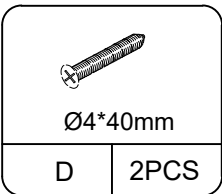
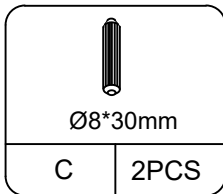
I

24PCS


STEP 2




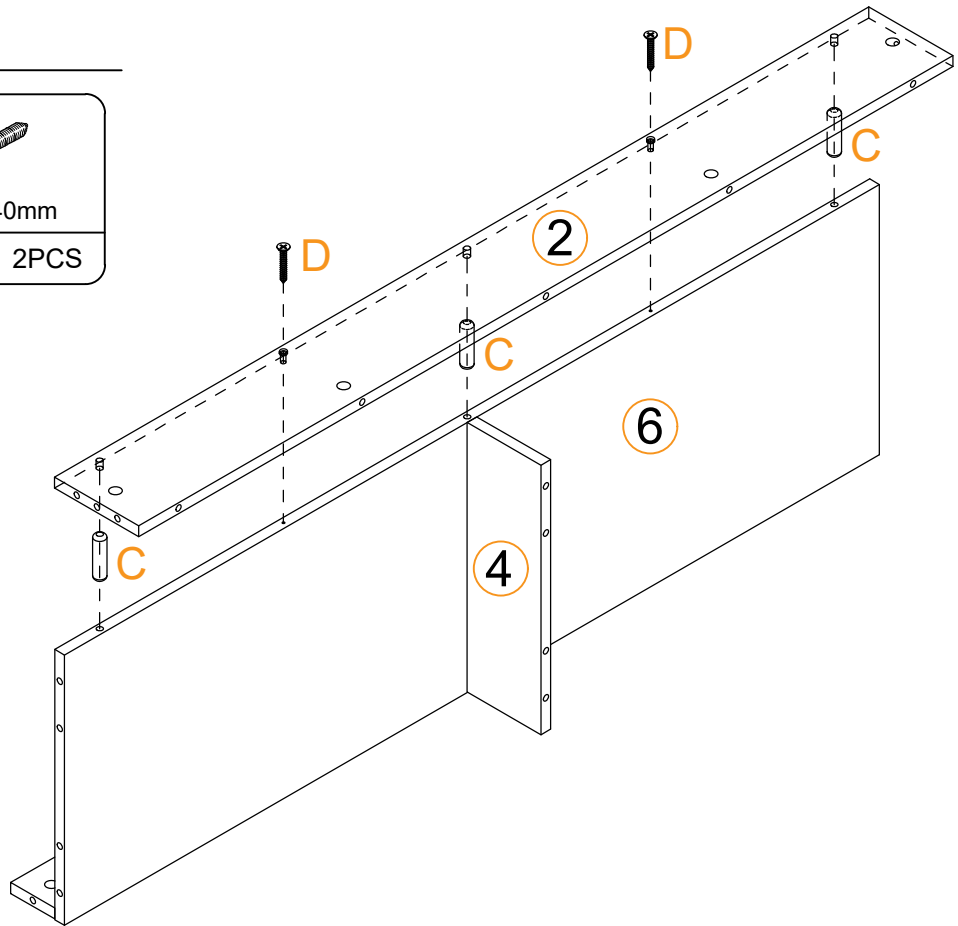
STEP 3




STEP 4


	
Ø8*30mm	
C	3PCS


	
Ø4*40mm	
D	2PCS

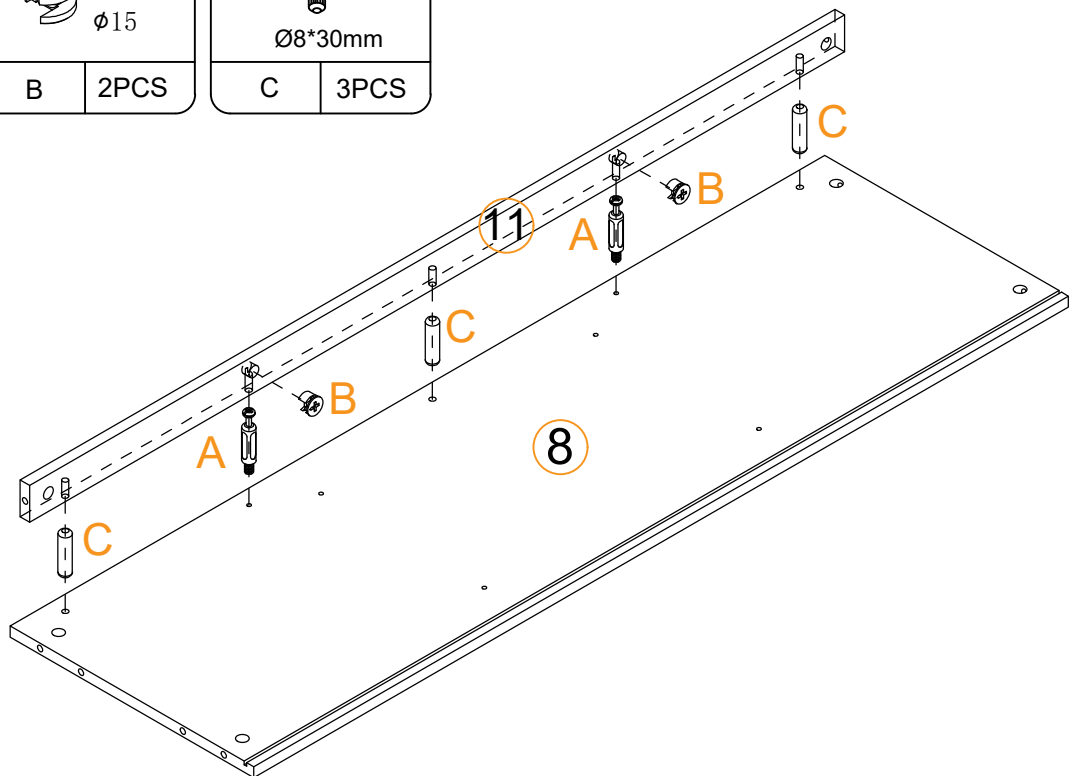


STEP 5

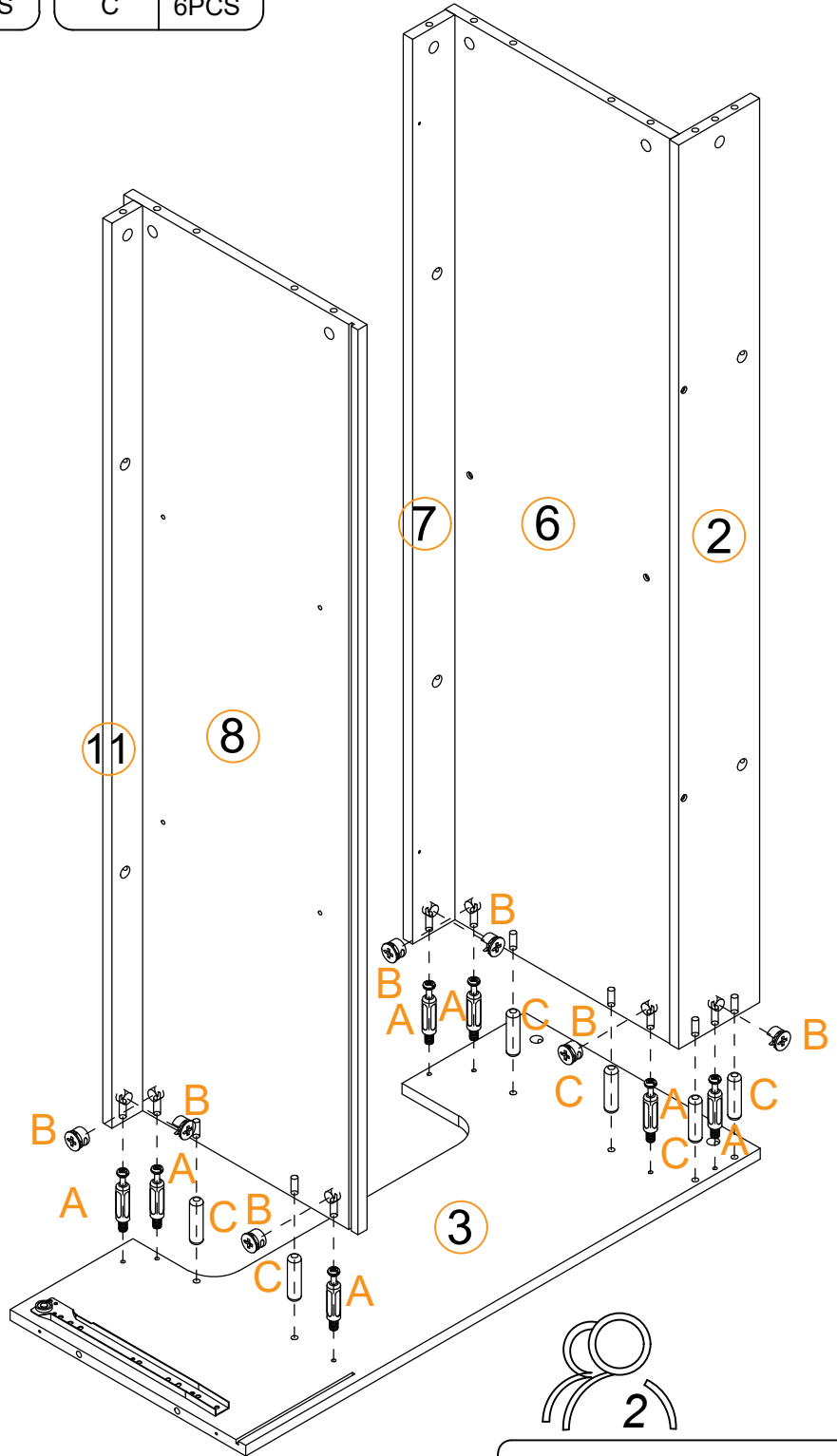
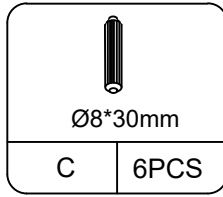
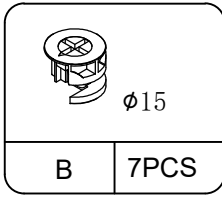
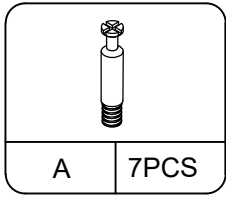
	
A	2PCS

	Ø15
B	2PCS

	
Ø8*30mm	
C	3PCS

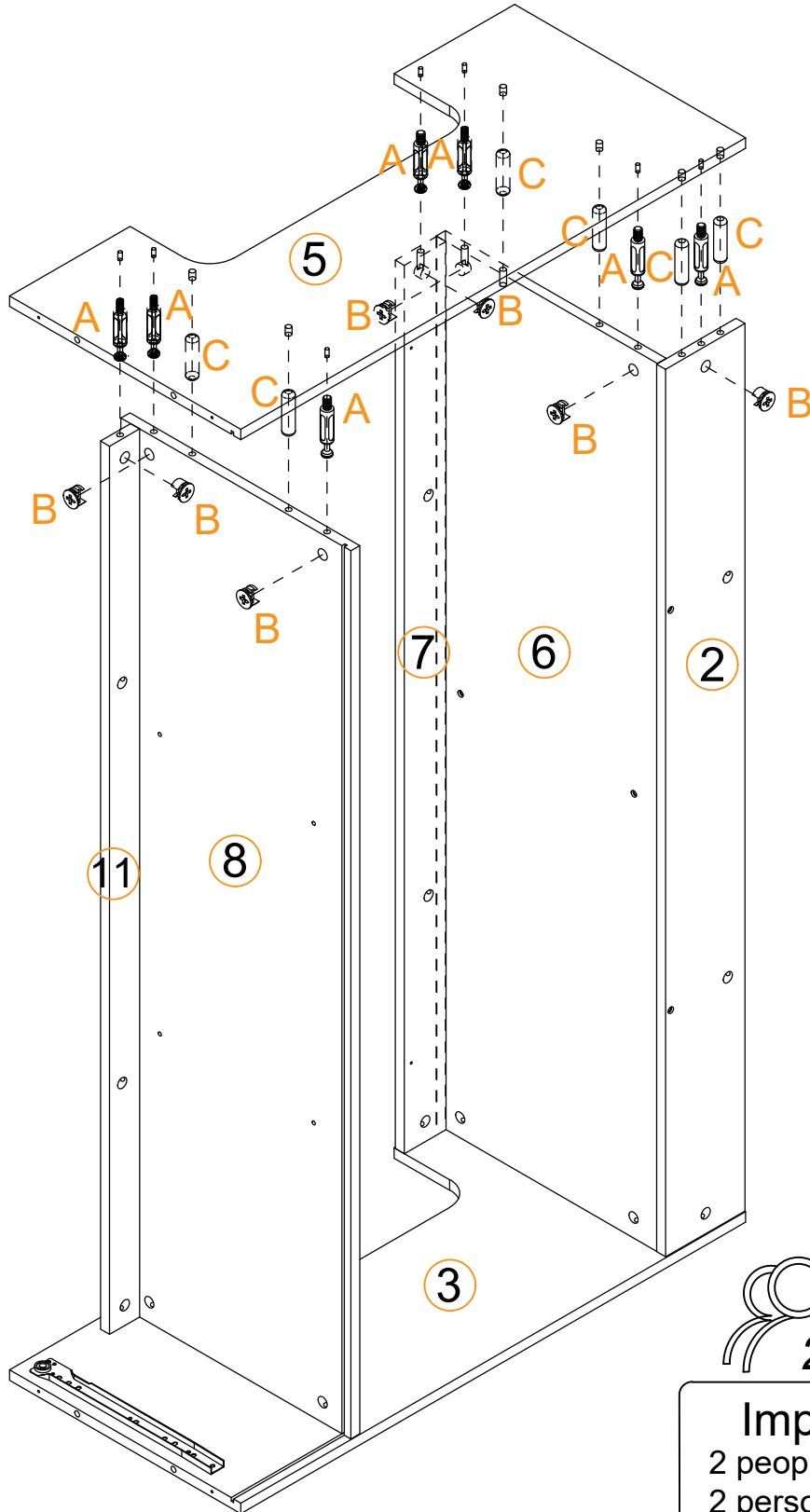
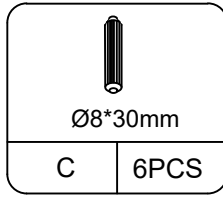
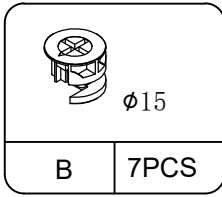
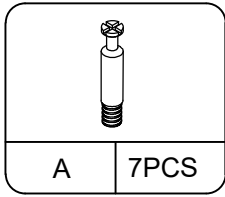


STEP 6



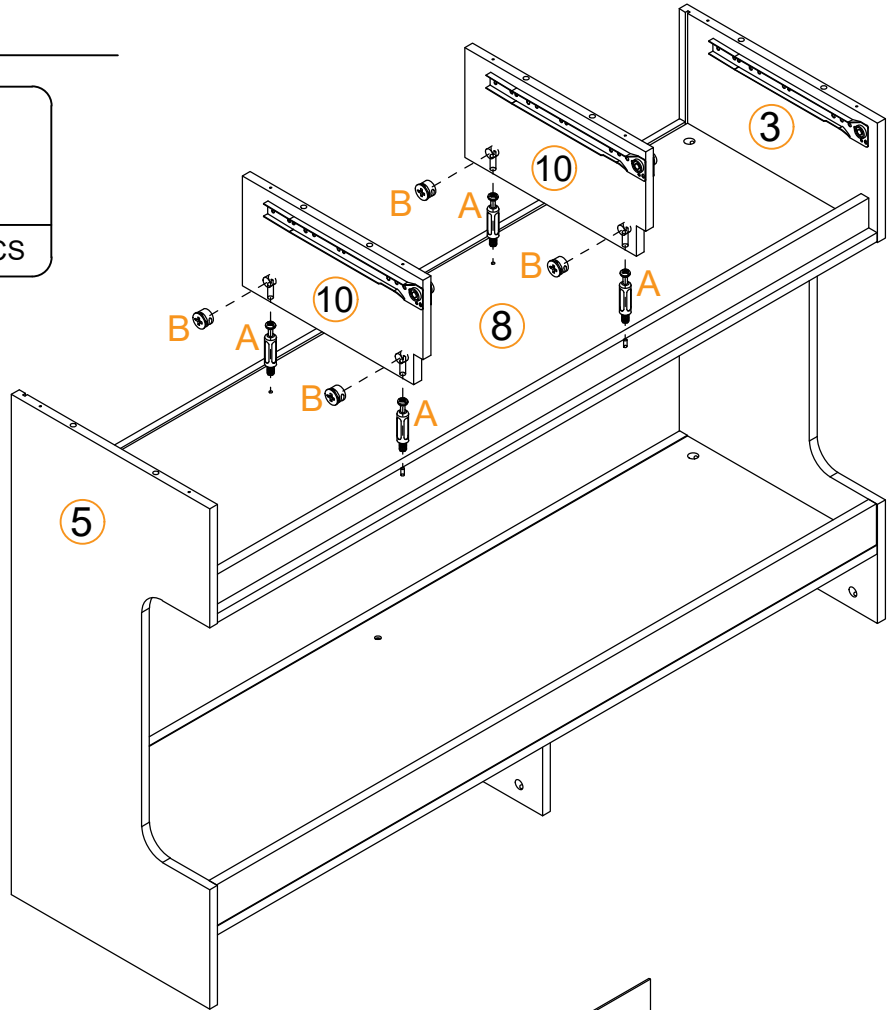
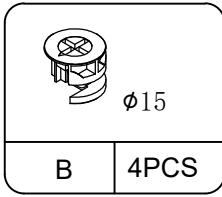
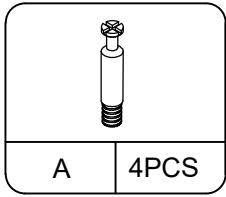
Important
2 people required
2 personnes requises
2 personas requeridas

STEP 7

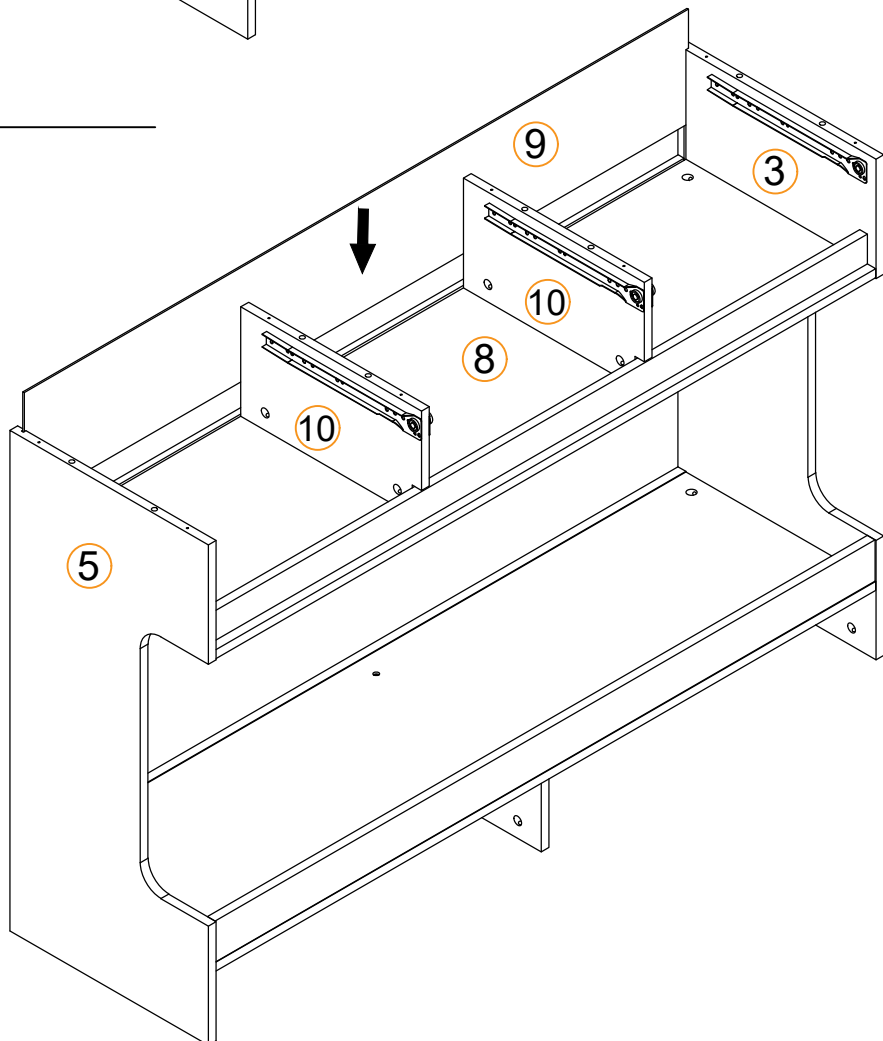


Important
2 people required
2 personnes requises
2 personas requeridas

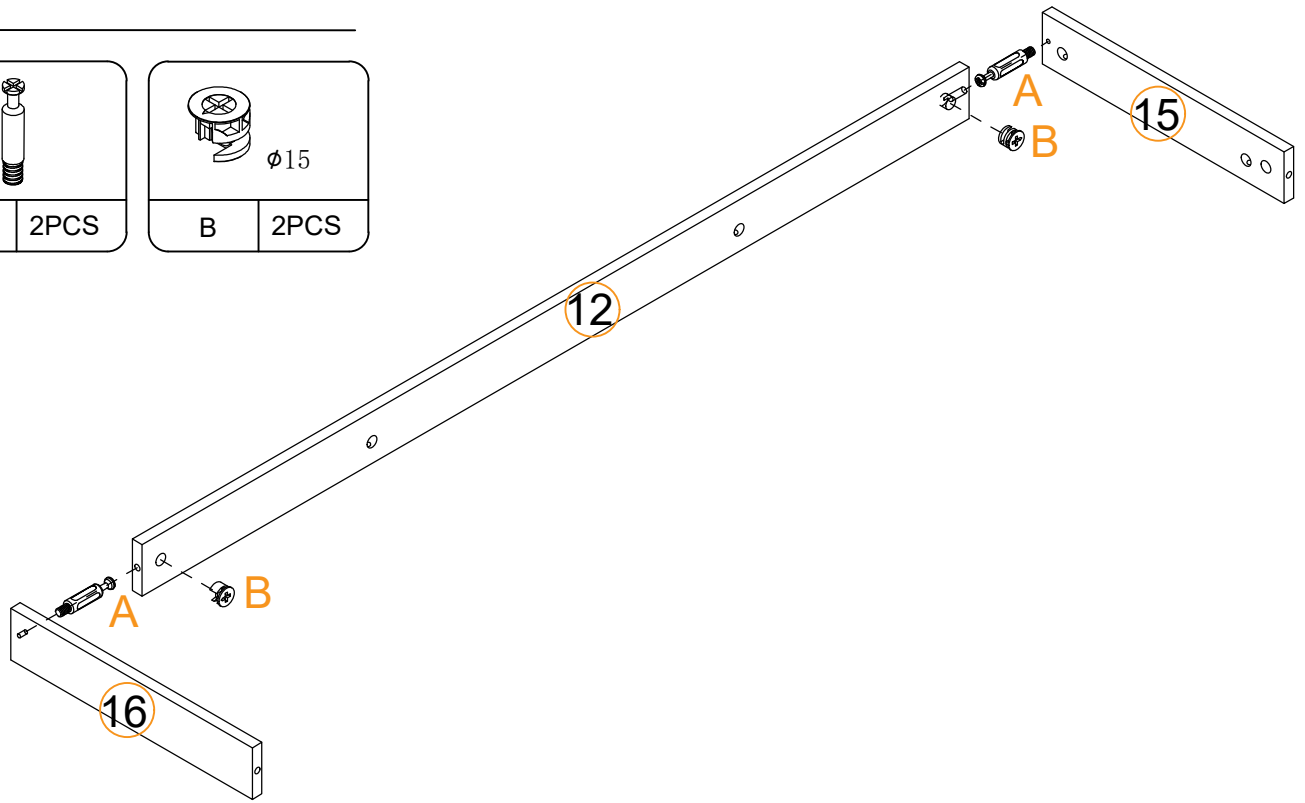
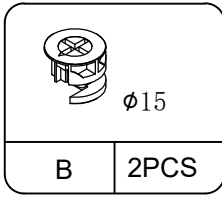
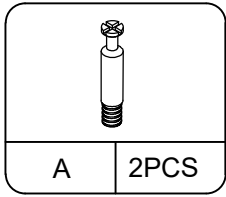
STEP 8



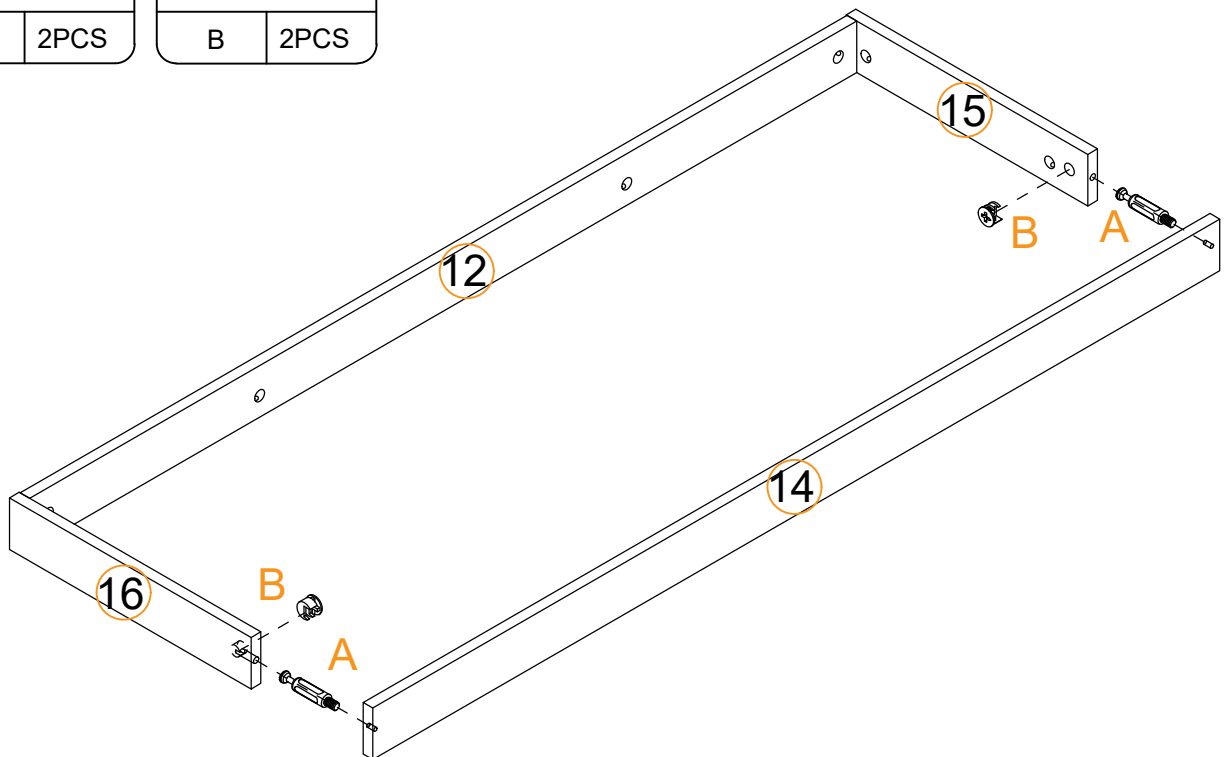
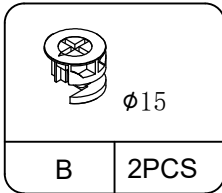
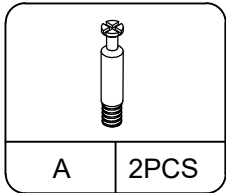
STEP 9



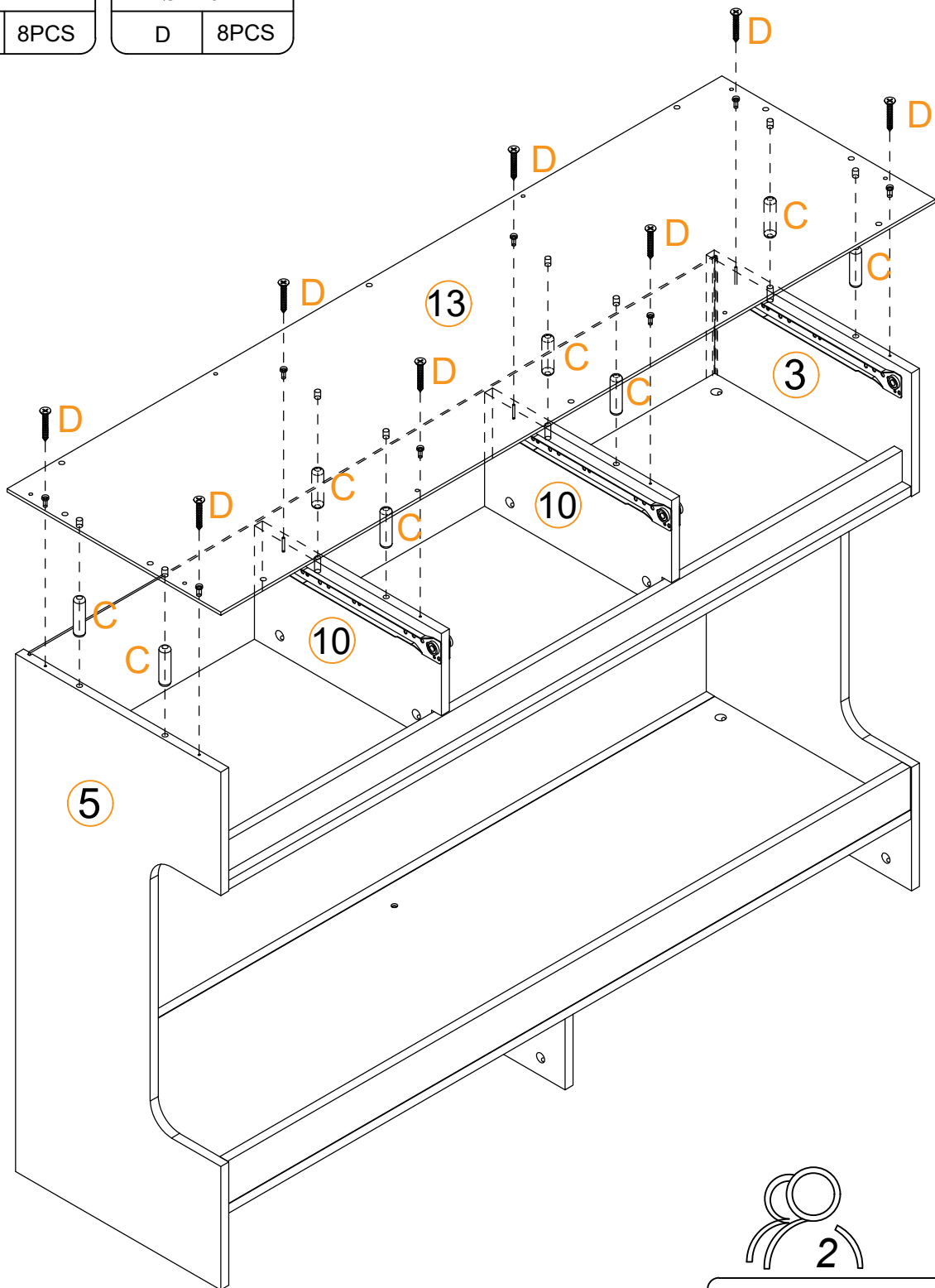
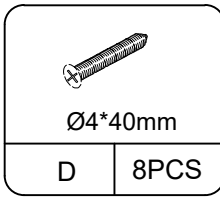
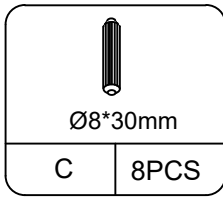
STEP 10



STEP 11

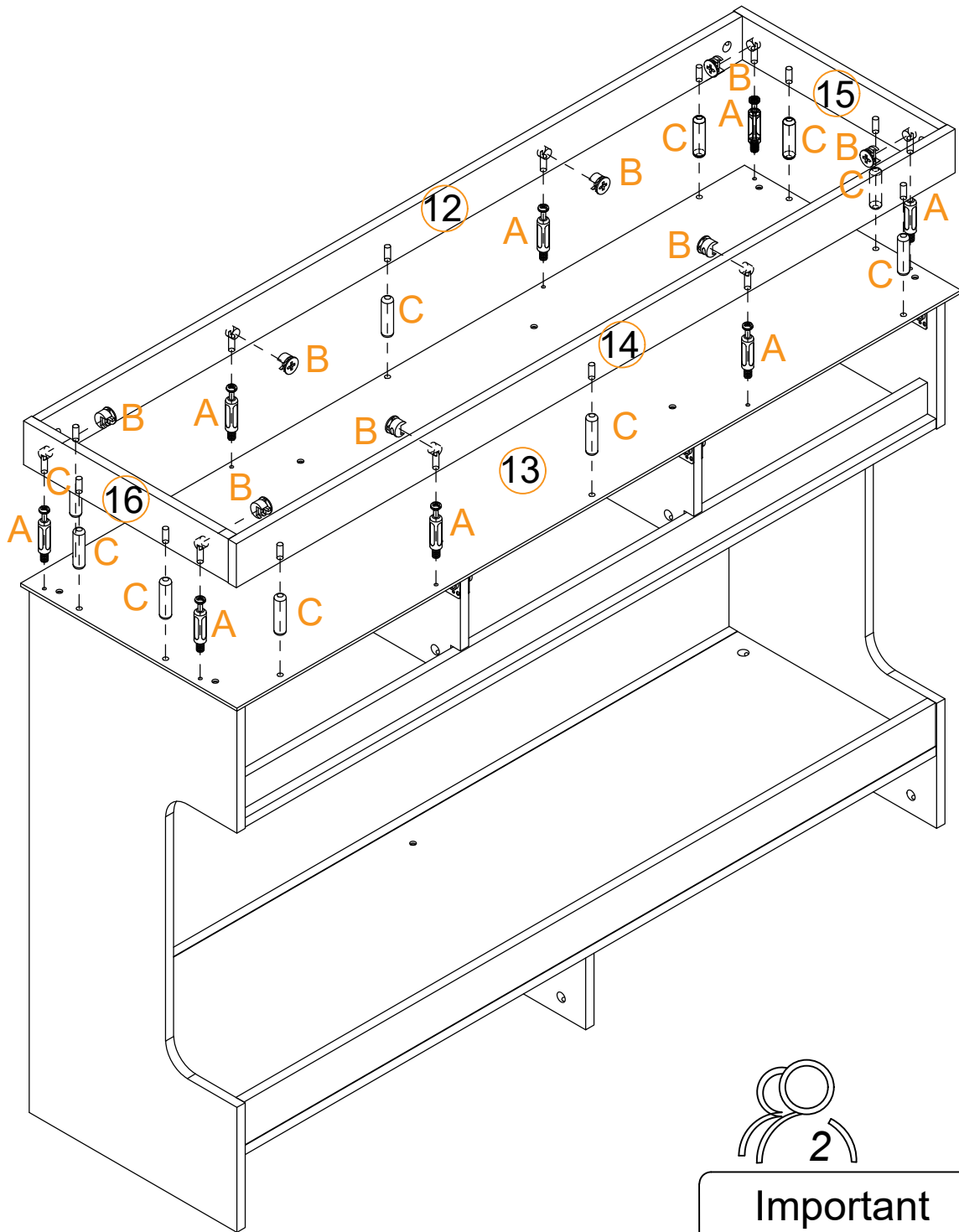
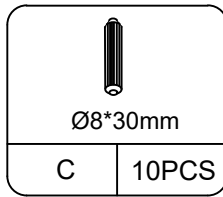
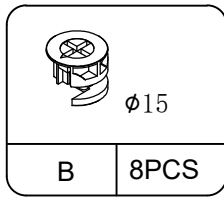
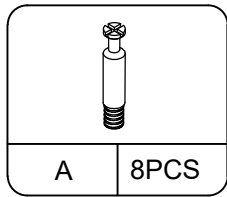


STEP 12



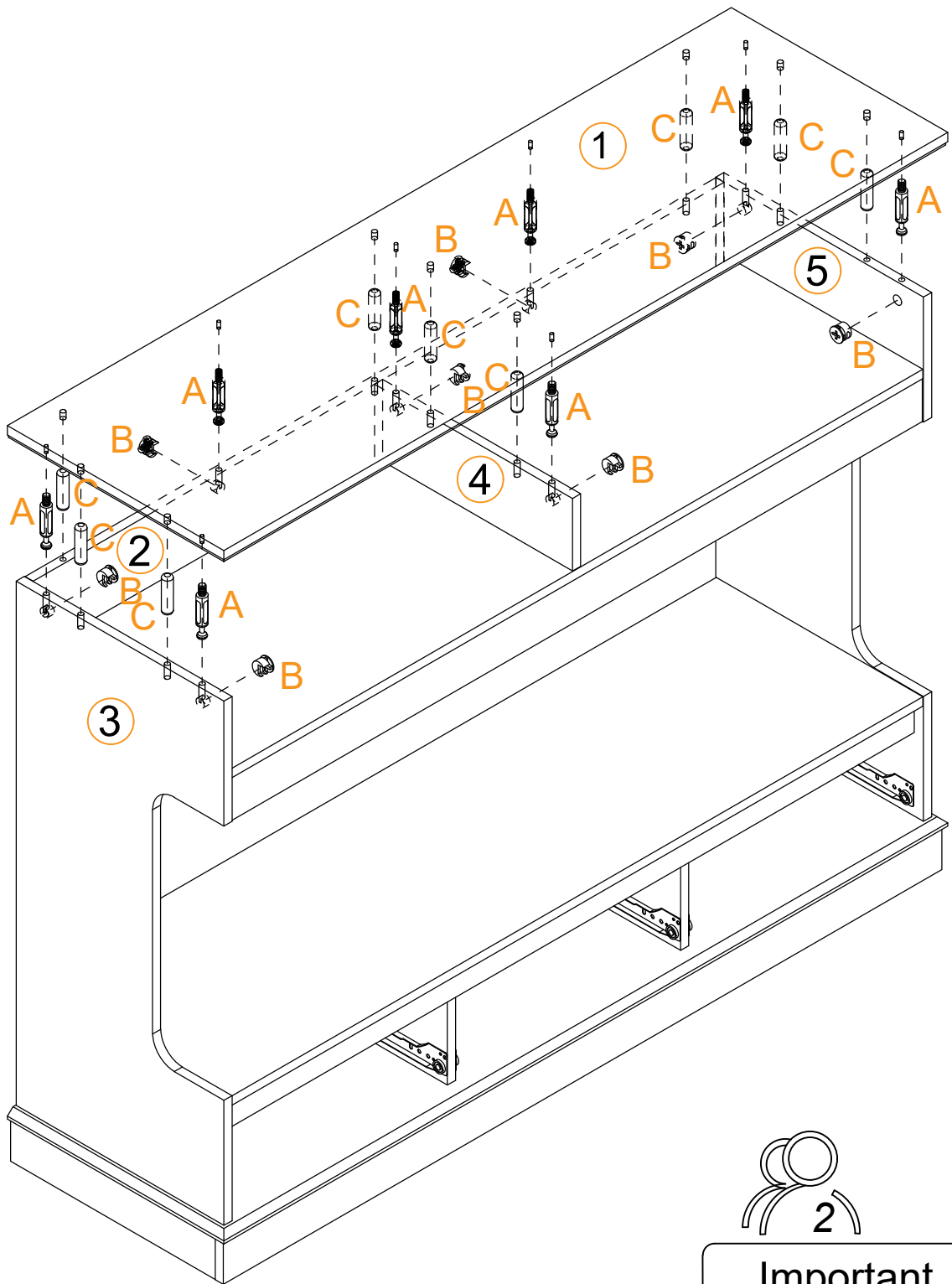
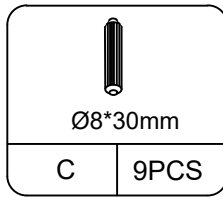
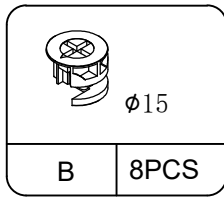
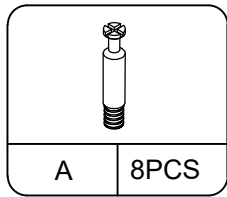
Important
2 people required
2 personnes requises
2 personas requeridas

STEP 13



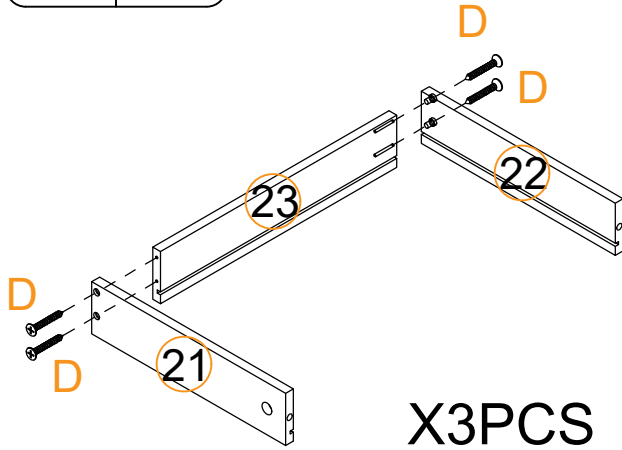
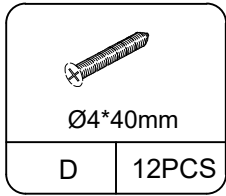
Important
2 people required
2 personnes requises
2 personas requeridas

STEP 14

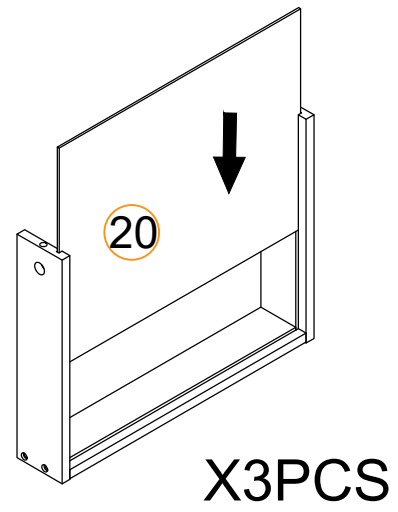


Important
2 people required
2 personnes requises
2 personas requeridas

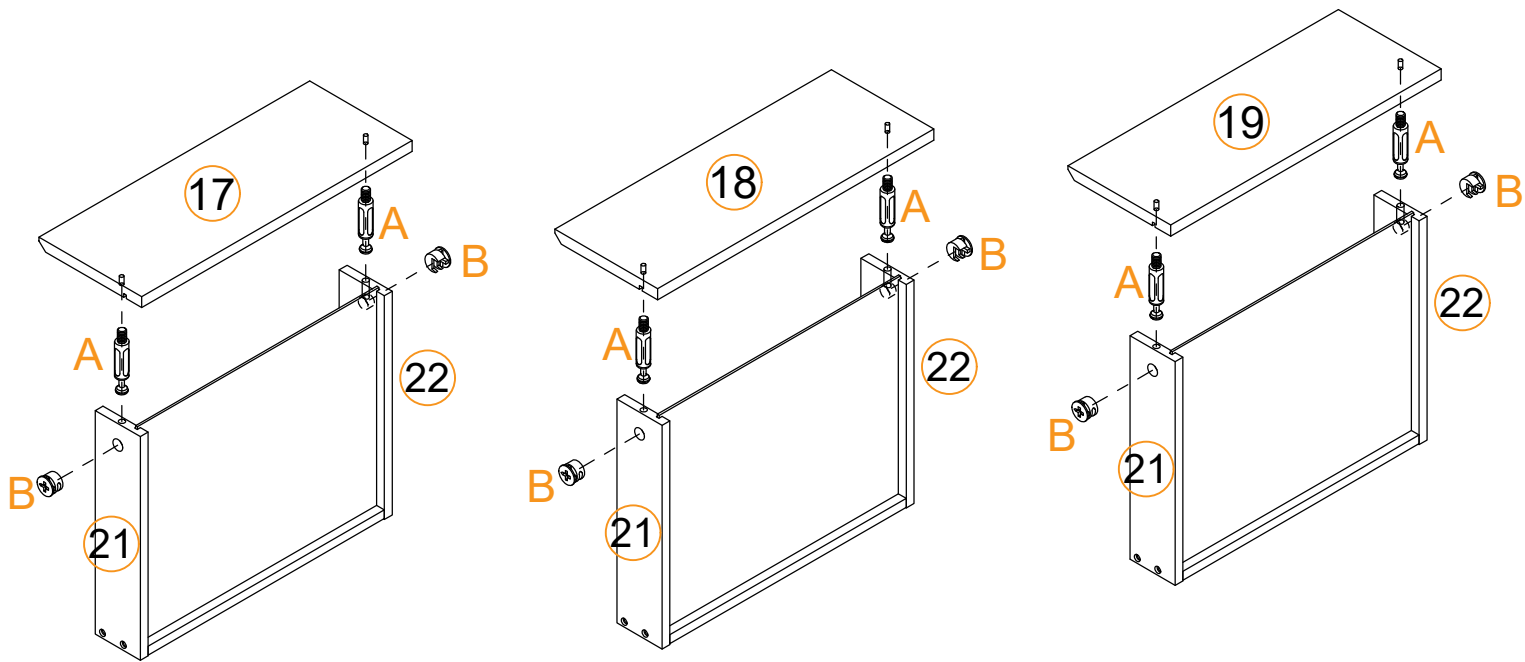
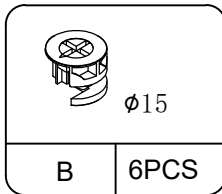
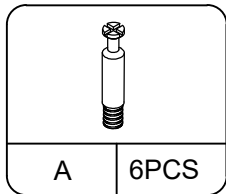
STEP 15



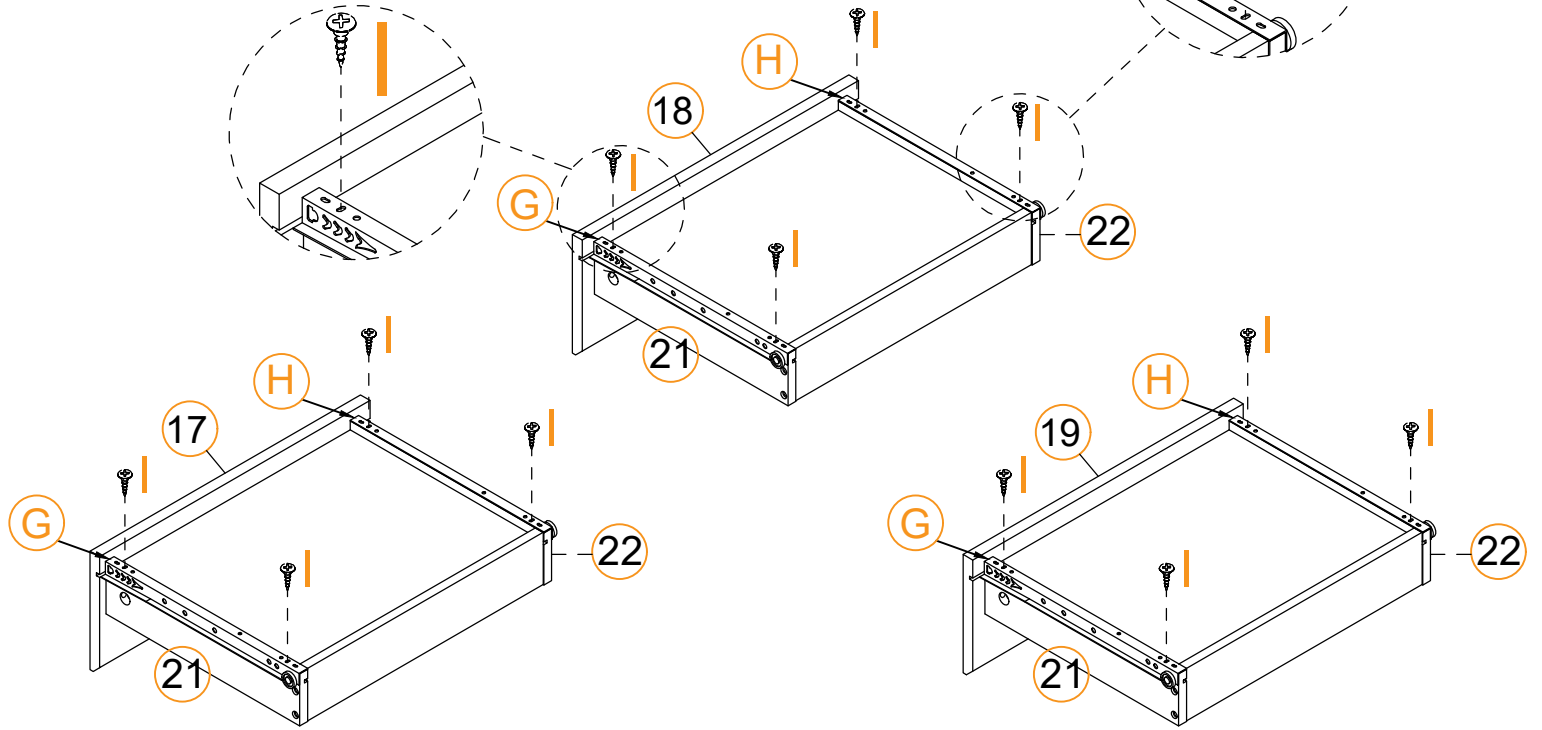
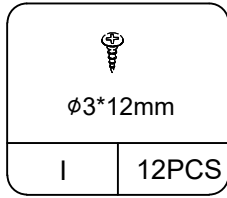
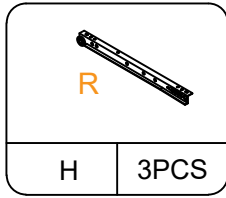
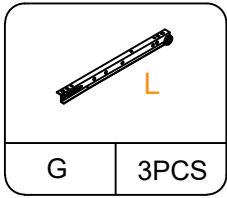
STEP 16



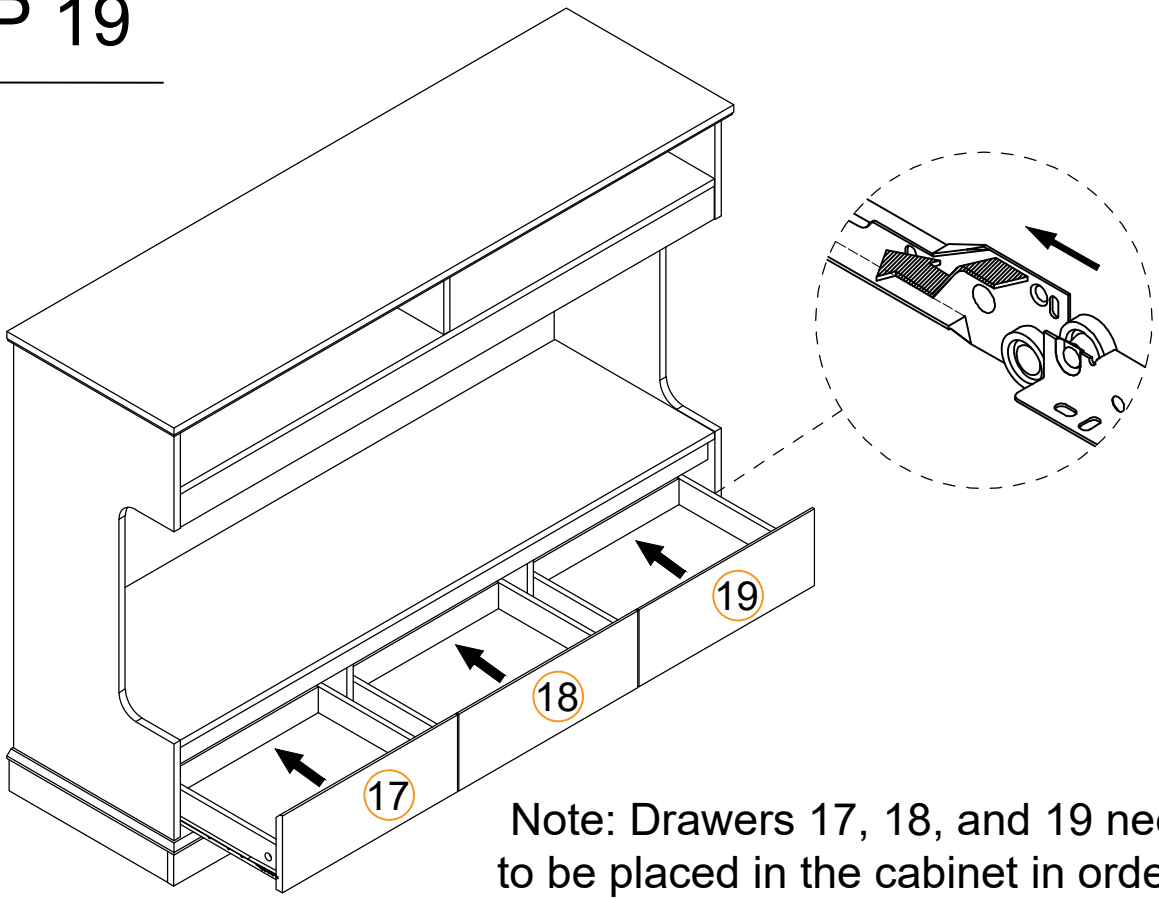
STEP 17



STEP 18







STEP 19

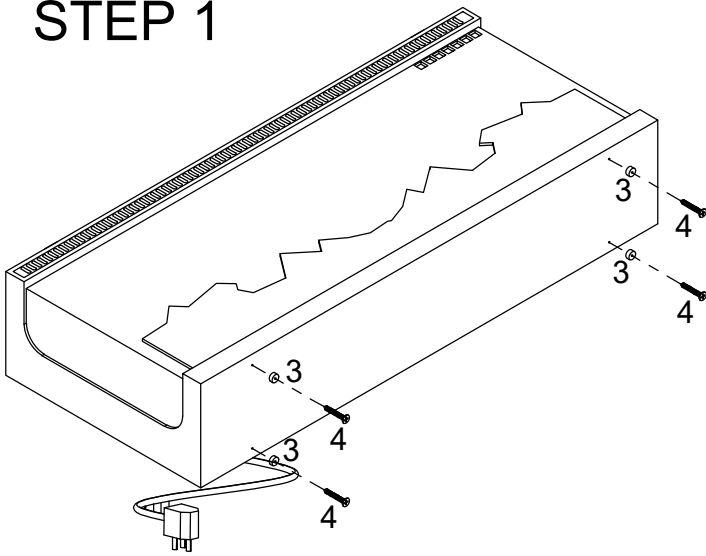


Note: Drawers 17, 18, and 19 need to be placed in the cabinet in order!

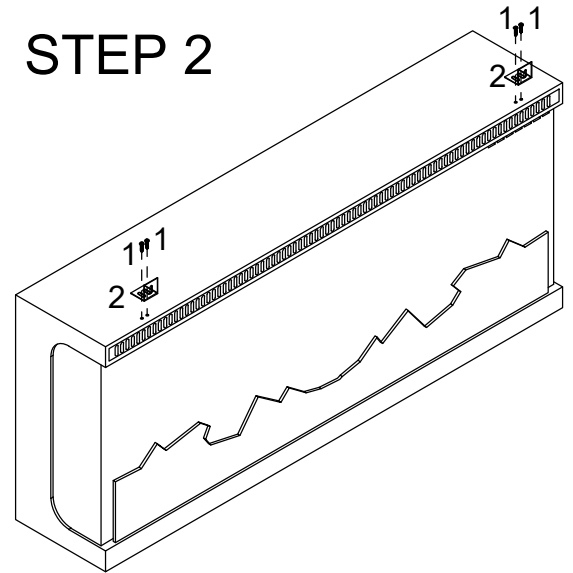
STEP 20

PART LIST	FIGURE	QUANTITY
1		8PC
2		2PC
3		4PC
4		4PC

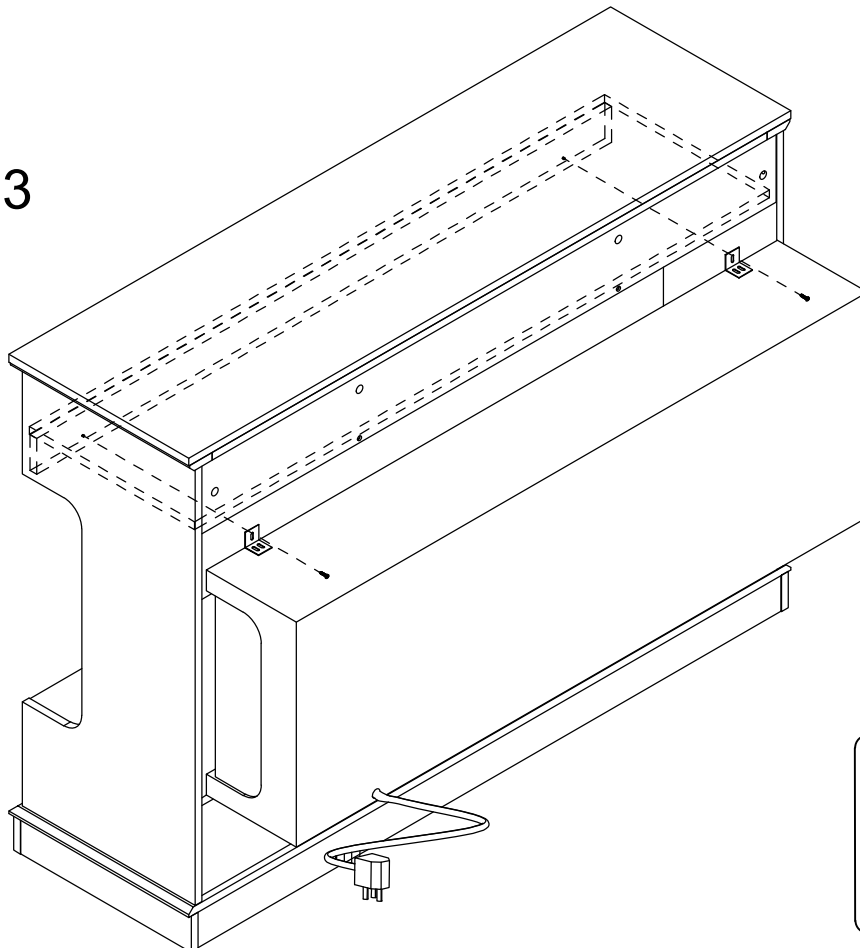
STEP 1



STEP 2



STEP 3



Important
 2 people required
 2 personnes requises
 2 personas requeridas