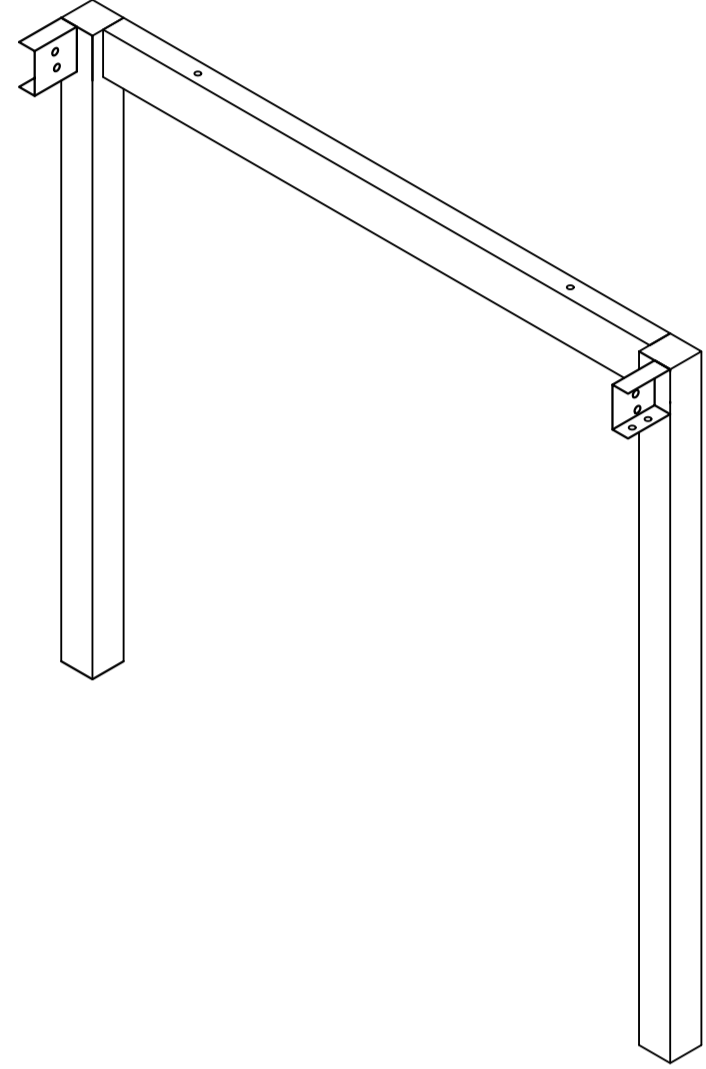


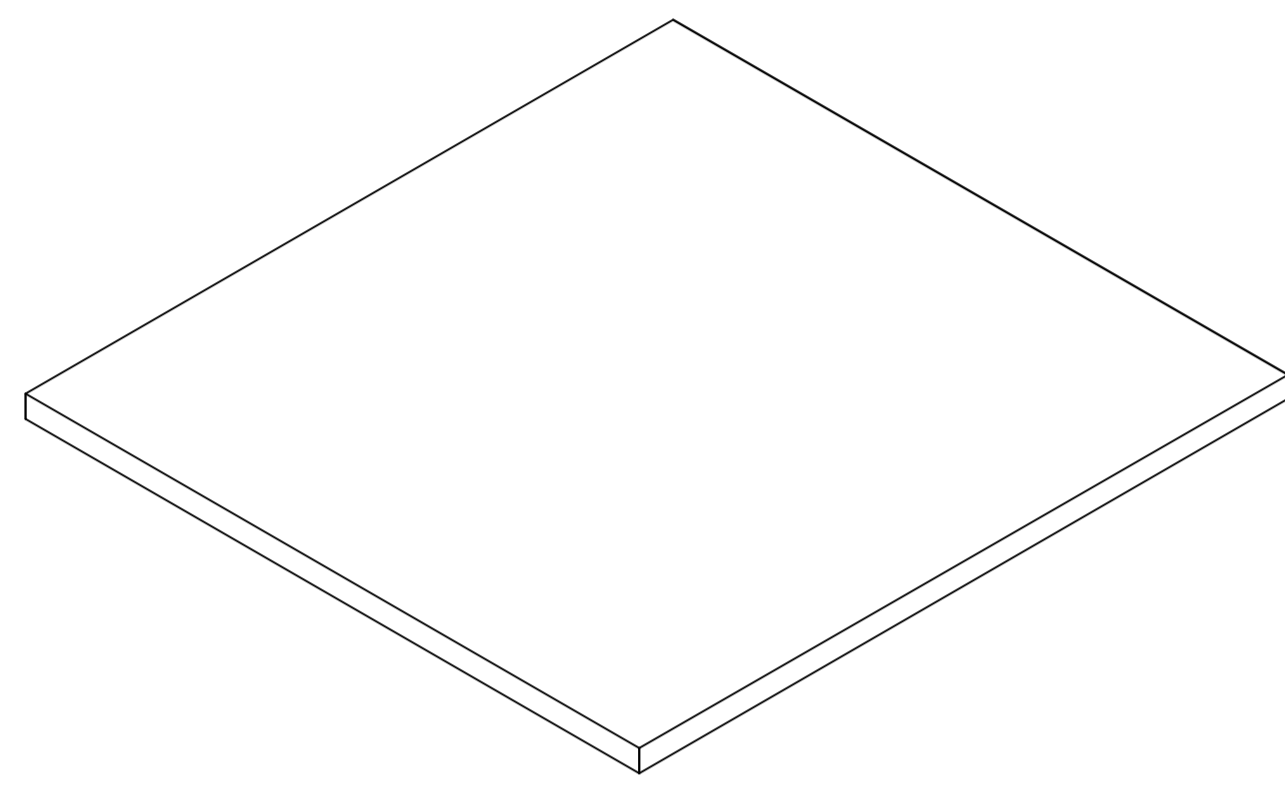
# ASSEMBLY INSTRUCTION

**A** Table Leg Frame



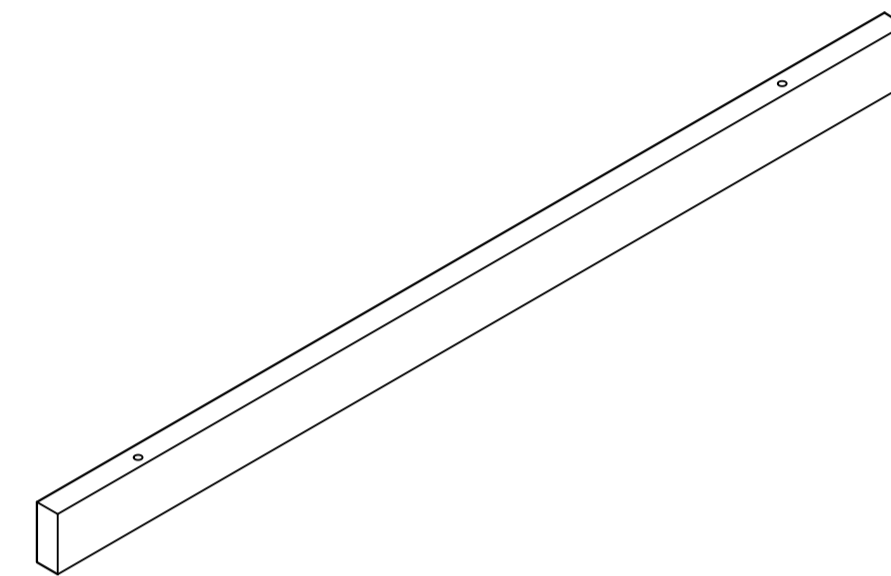
2PCS

**B** Table Top



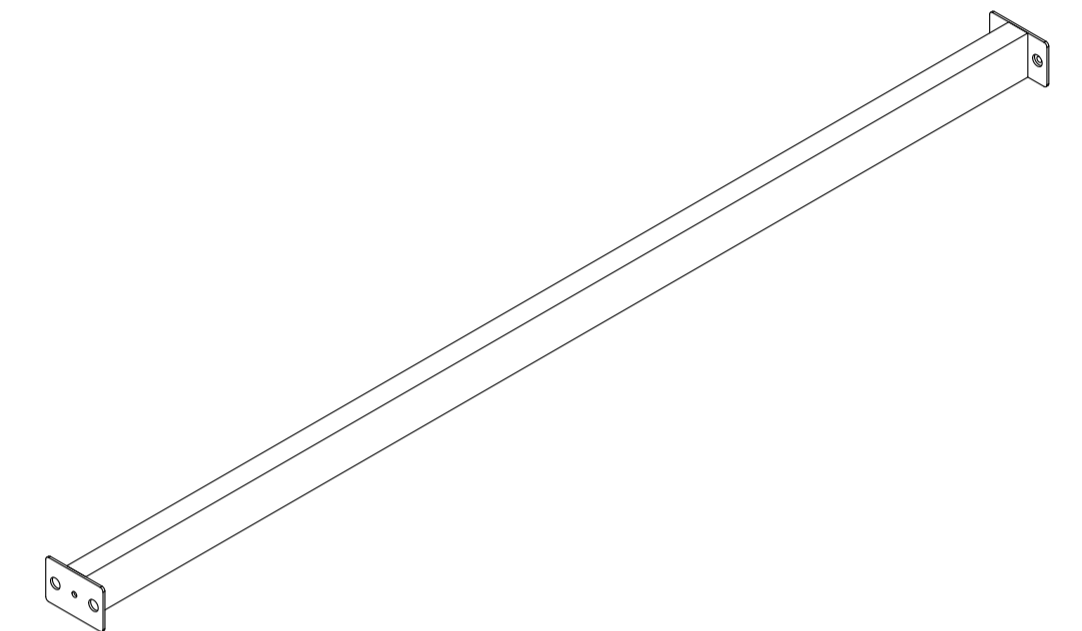
1PC

**C** Table Apron



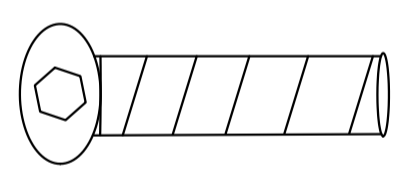
2PCS

**D** Cross Bar



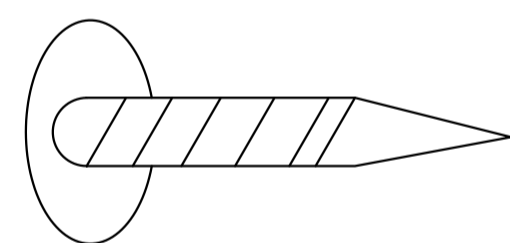
1PC

**E** Bolt  
1/4"\*16mm



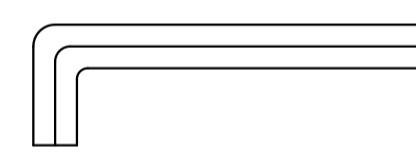
20PCS

**F** Screw  
5mm\*70mm

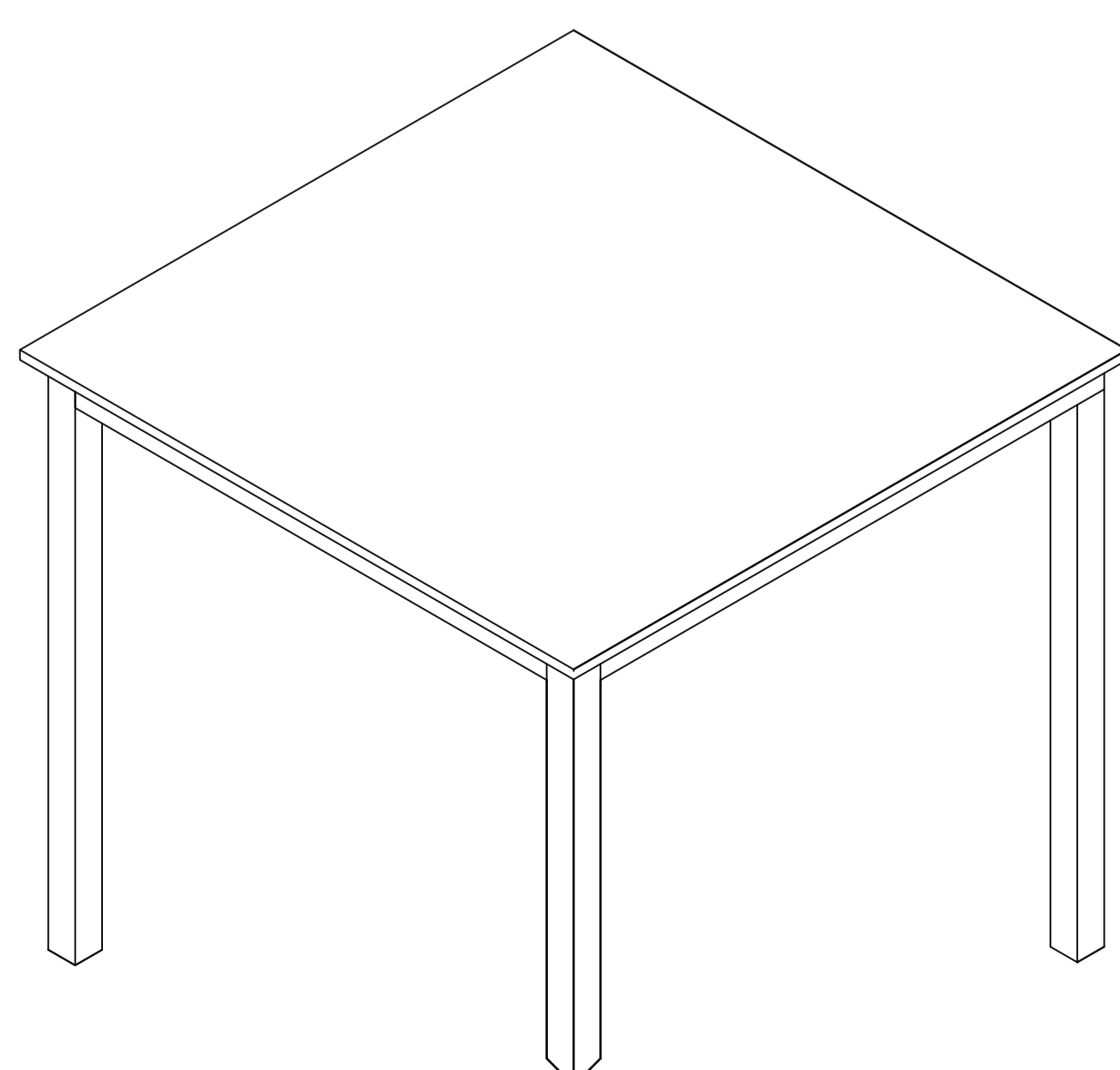


8PCS

**G** L-Allen Key  
4mm

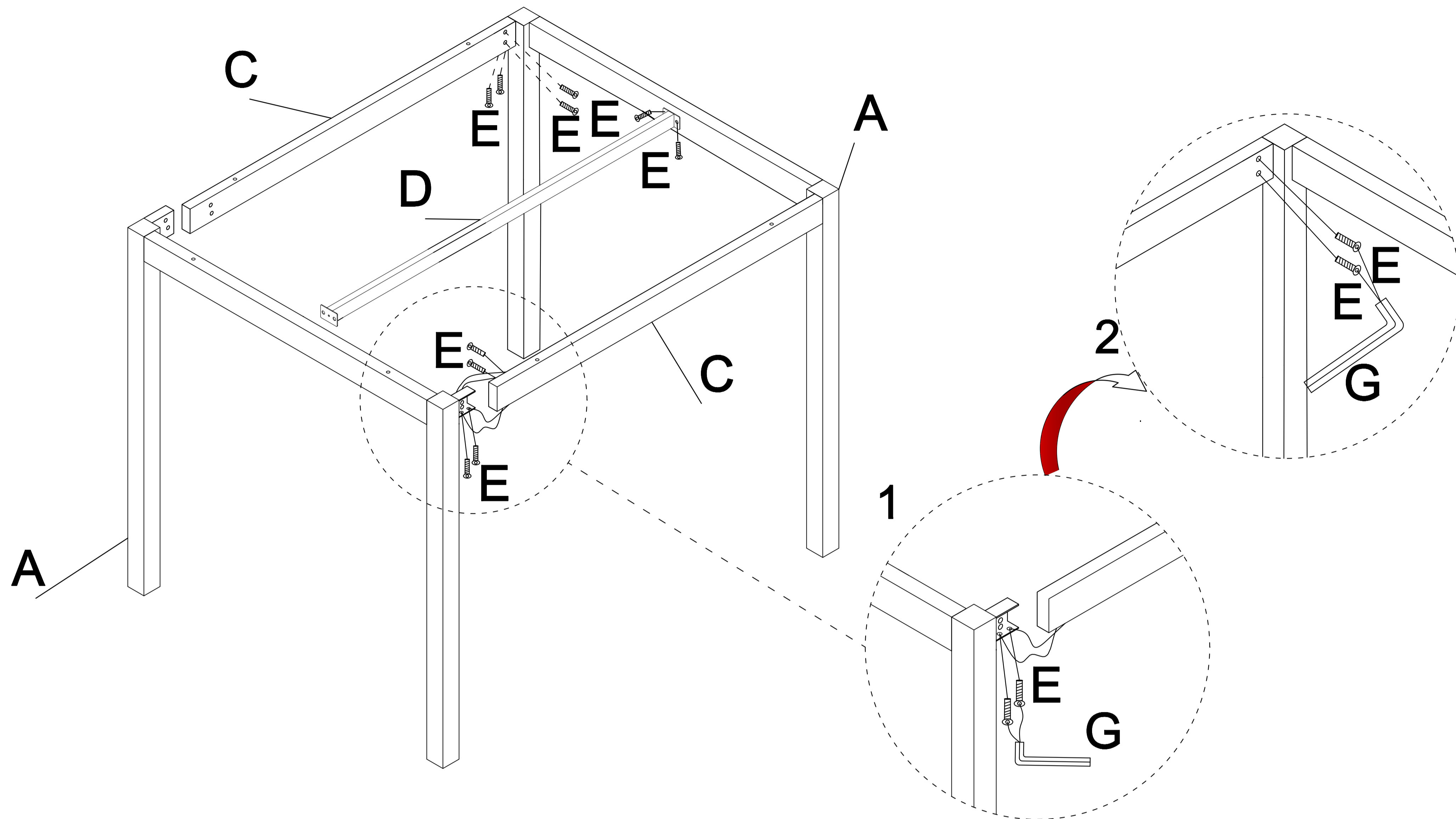


1PC

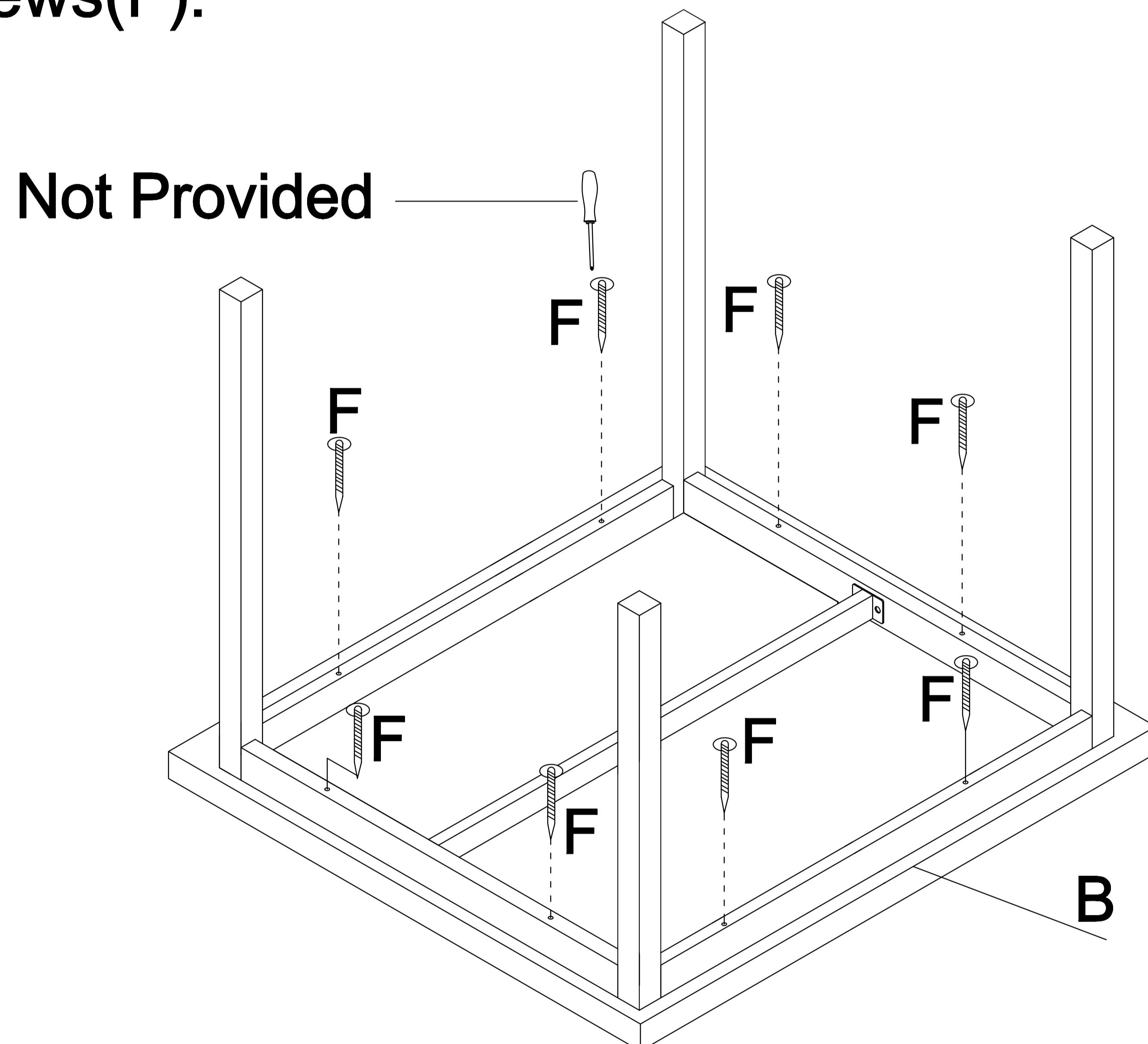


This page lists all the contents included in the box. Please take the time to identify the hardware as well as the individual components to this product. As you unpack and prepare for assembly, place the contents on a carpeted or padded area to protect them from damage.

- 1** Align the Table Leg Frame(A) to Table Apron(C) and Cross Bar(D) and tighten with Bolts(E). Turn the L-Allen Key(G) to tighten them.



- 2** Place the Table Top(B) on the smooth and the stable carpeted or padded surface. Tighten attached table frame to table top with Screws(F).



### Cleaning & Care

Treat surface with care. Surface is resistant to scratches but is not scratchresistant. Clean surfaces with a dry or damp soft cloth. Do not use abrasive cleaners. Hardware may loosen over time. Periodically check that all connections are tight.