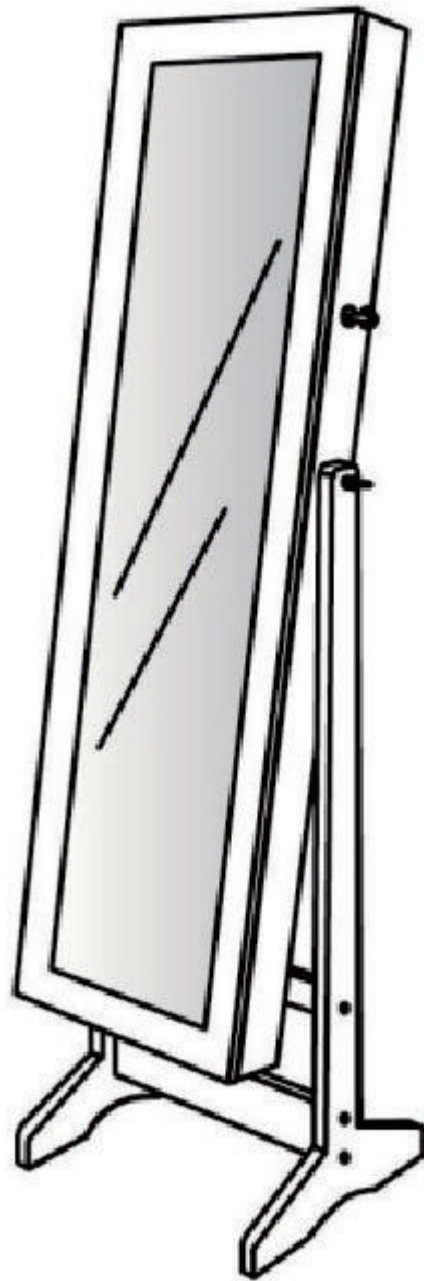
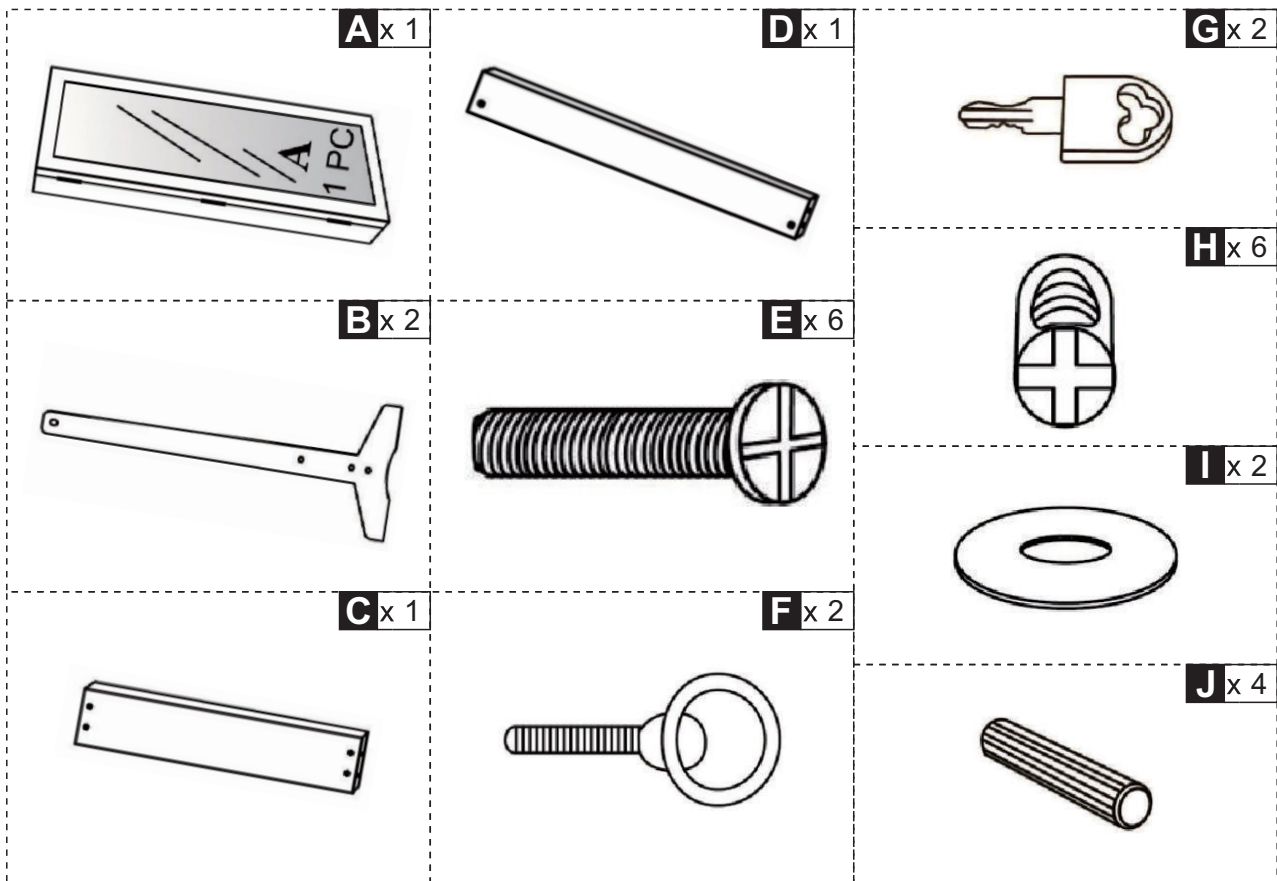


ASSEMBLY INSTRUCTION





TOOLS RECOMMENDED