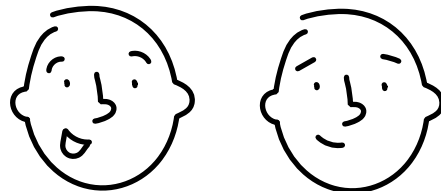
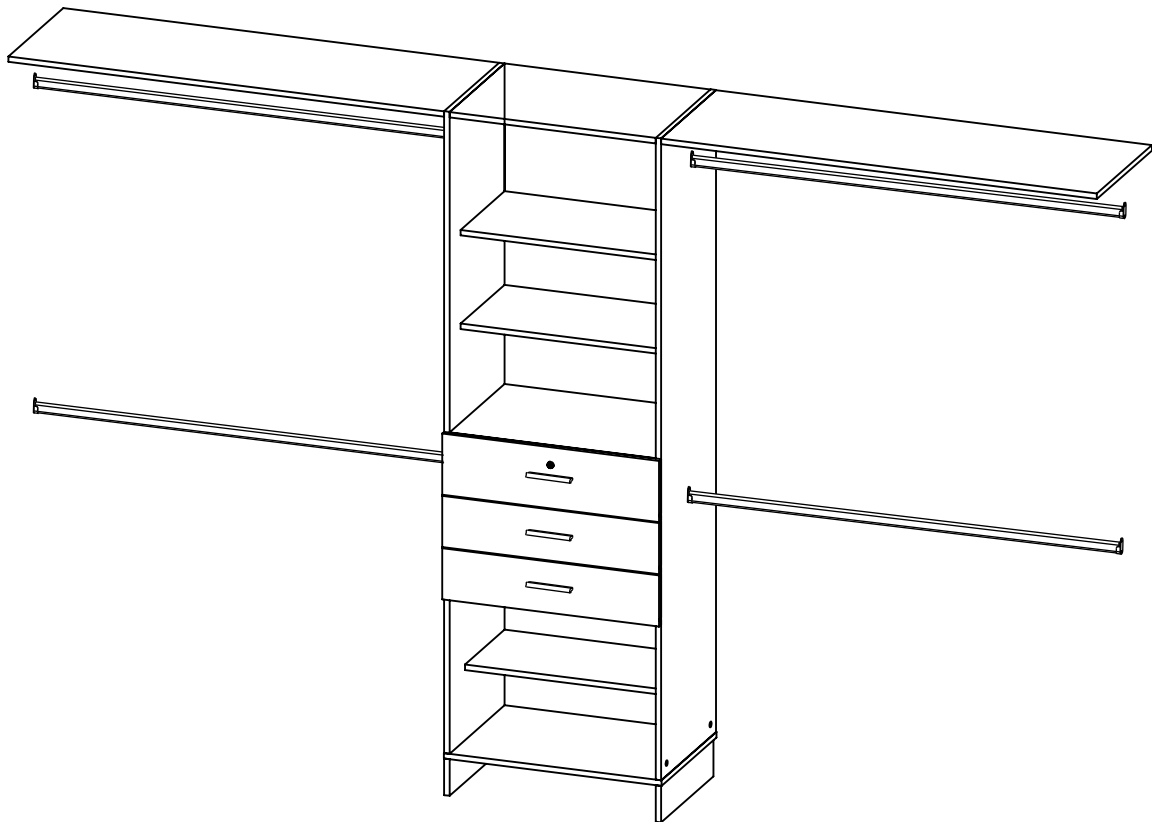


ASSEMBLY INSTRUCTIONS

3 DRAWERS CLOSET SYSTEM (WALK-IN CLOSET)



It's much better if you get some company for this!

Index

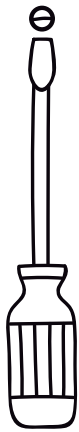
What will you need?	2
Where should you start?	3
What's in the hardware bag?	4
How do the dowels and Minifix system work? (We also explain what they are)	5
Let's start assembling!	7
How much weight does your cabinet resist?	25
Our last recommendations for taking care of your cabinet	26

What will you need?

Phillips head screwdriver



Flat head screwdriver



Hammer



Hi! my name is Armando, and I'll be with you while you assemble this cabinet.



A flat, smooth surface. You can use the cardboard of the box or a rug.



An electric screwdriver isn't necessary, but it can make the work much easier :)

Where should you start?

This is so IMPORTANT!

Over the next few pages is the panel and hardware content for this cabinet.

Please make sure that the quantity of each one is correct, and that everything is in good shape.


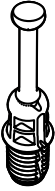



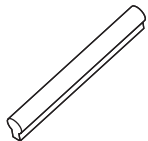



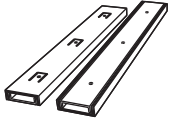

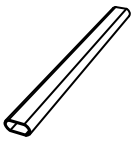
(When the cabinet is already assembled there's no warranty for this)

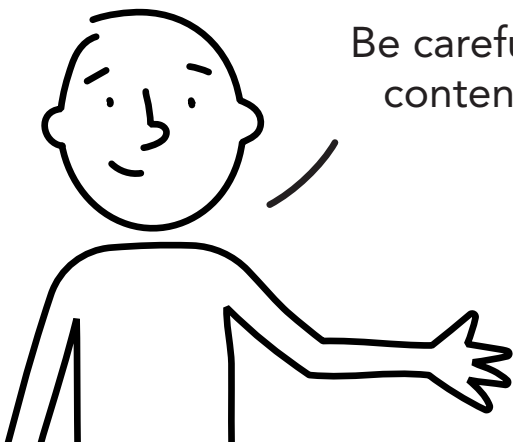


Panel quantity

A - x1	B - x1	C - x1	D - x1
E - x1	F - x1	G - x1	H - x1
I - x2	J - x2	K - x1	L - x2
M - x3	N - x3	O - x3	P - x1
Q - x1	R - x3	FC - x1	

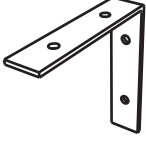

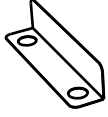
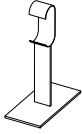
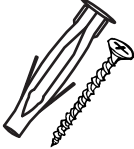
What's in the hardware bag?

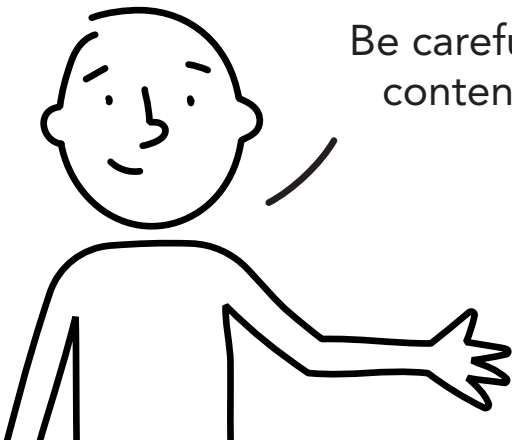
 Wood dowel x50	 Spreading bolt x37	 Minifix cam x37	 Cover caps x41
 Nail-on glide x6	 Handle (screws included) x3	 Sheet Metal Screw x34	 Drywall Screw x12
 Drywall Screw x18	 Drawer Slides (Screws included) x3	 Rod Support x8	 Closet Rod x4



Be careful!, try not to lose anything from this bag, its content is necessary for assembling your cabinet.

What's in the hardware bag?

 <p>Wide Brace x12</p>	 <p>Lock with Key x1</p>	 <p>Platinum Lock x1</p>	 <p>Roof Rod Support + Screws x2</p>
 <p>Wall Anchor + Drywall Screw 2 1/2" x24</p>			

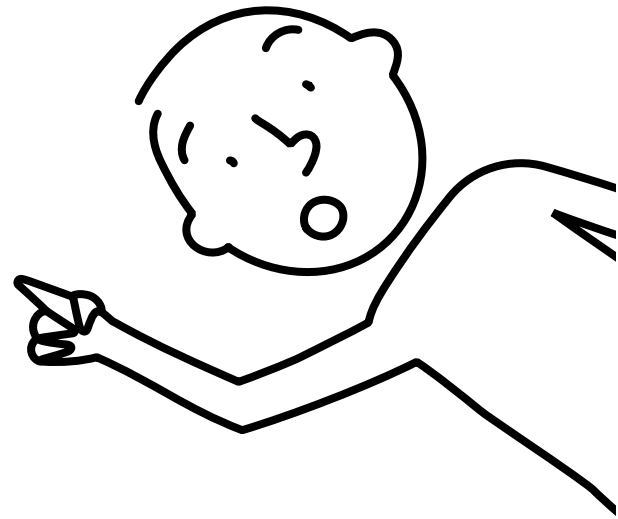


Be careful!, try not to lose anything from this bag, its content is necessary for assembling your cabinet.

How do the dowels and Minifix system work?

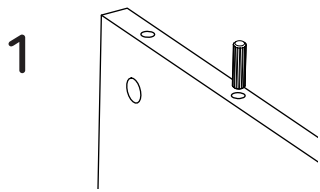
this is so important too!

Everytime you're using one of these connectors during the assembly, you should follow these same steps.

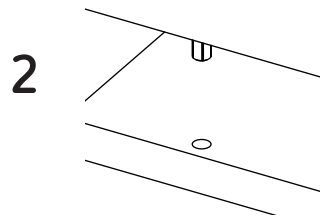


Wood dowels

They are little wooden cylinders.



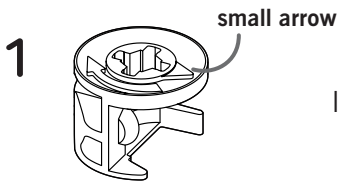
Put in the dowel inside the indicated hole and softly hit it until it's fully inside.



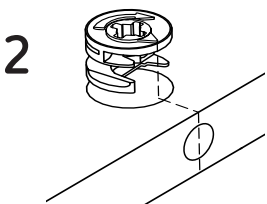
When joining two panels together, don't forget to gently hit the panels to adjust the joint.

Minifix system

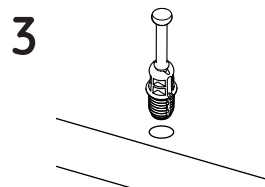
It's a joint compound of two parts: a spreading bolt and a Minifix cam.



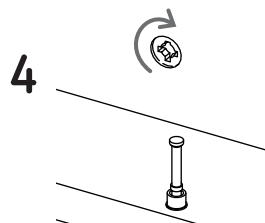
This is a Minifix cam. It has a little arrow on its upper surface.



You should insert these cams with the little arrow pointing towards the drilling on the panel's edge (shown on the left).



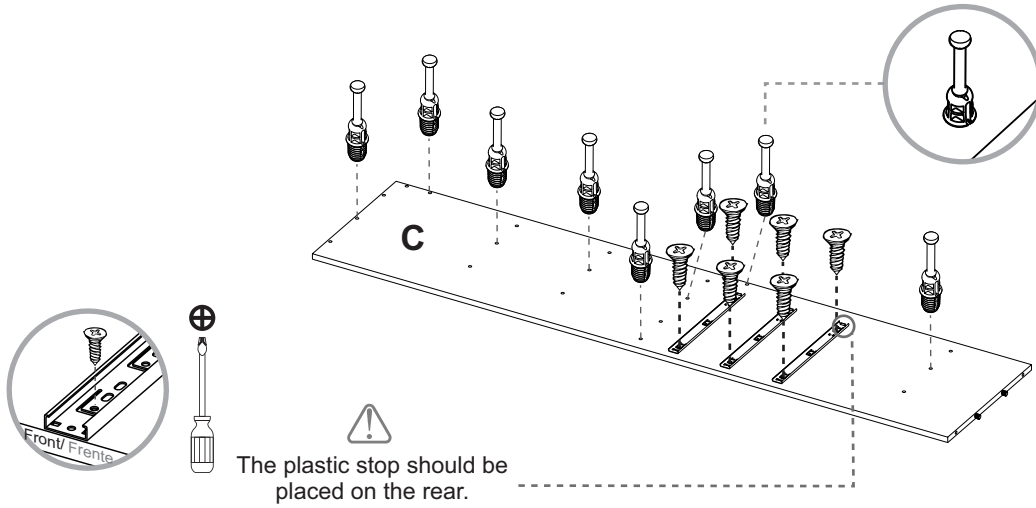
This is a spreading bolt. You should put it with the black plastic part facing



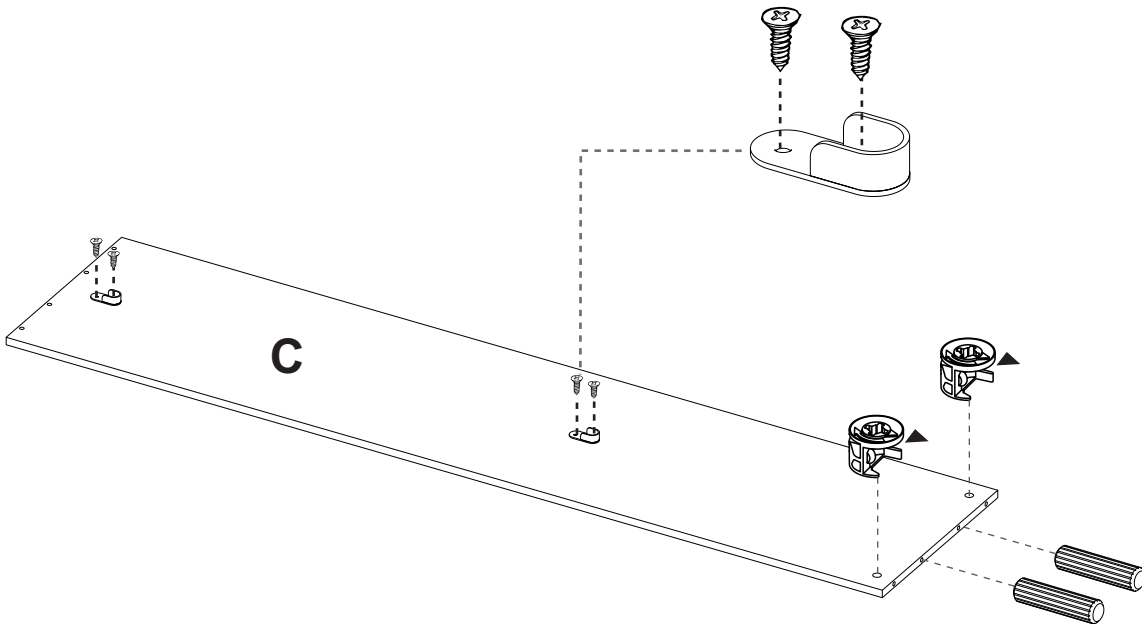
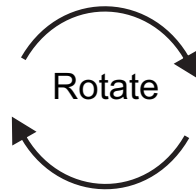
After joining two panels together you should turn the cams 180° with a phillips head screwdriver to adjust and secure the joint.

1 Let's start assembling!

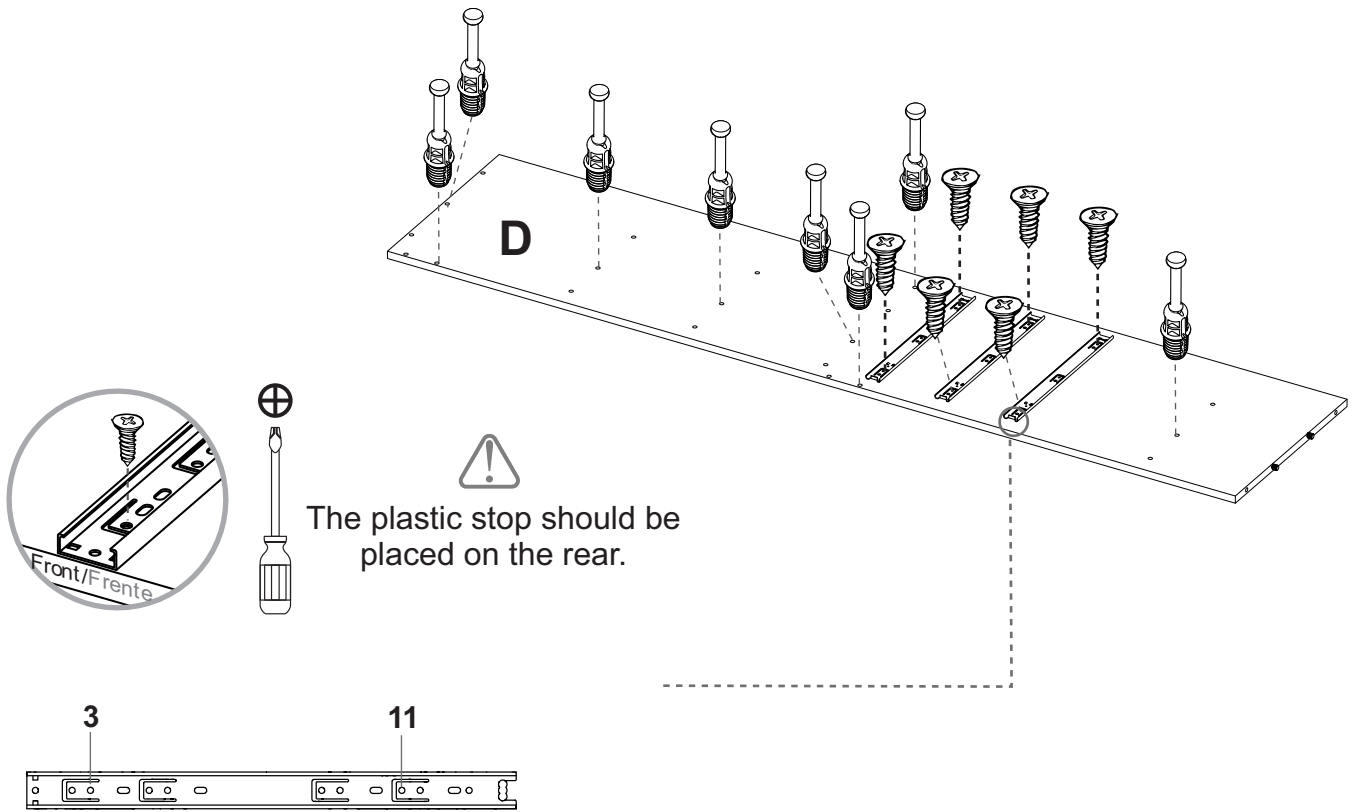
You can see the last page of this manual to have a full look of the panels of this cabinet.



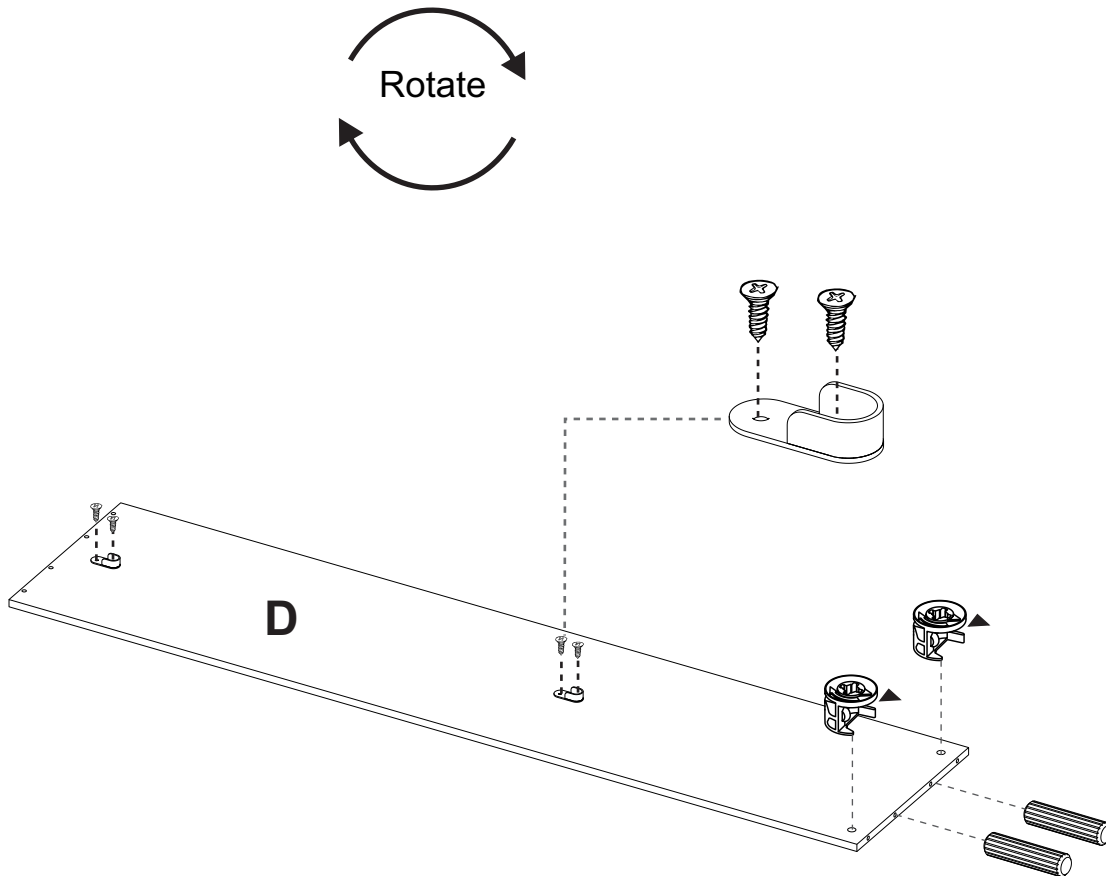
2



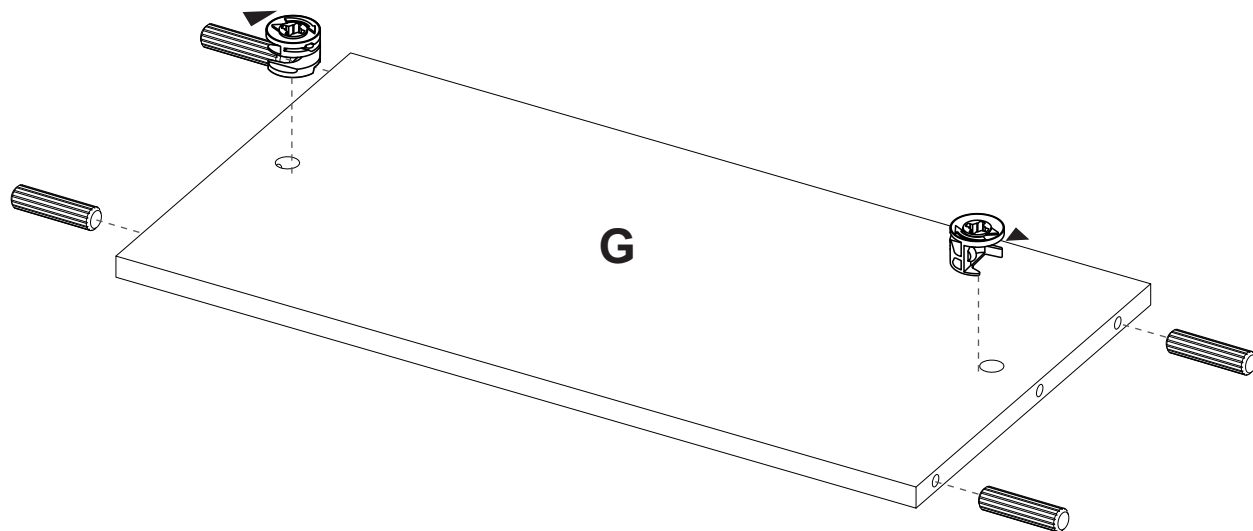
3



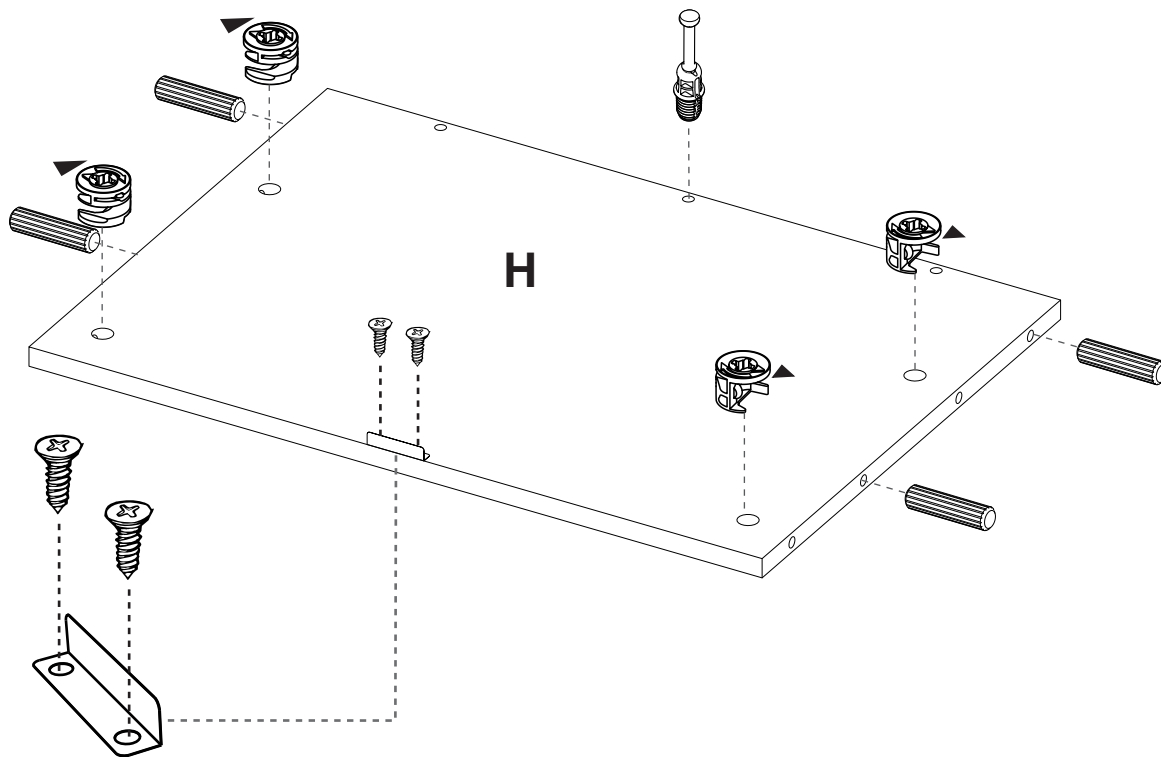
4



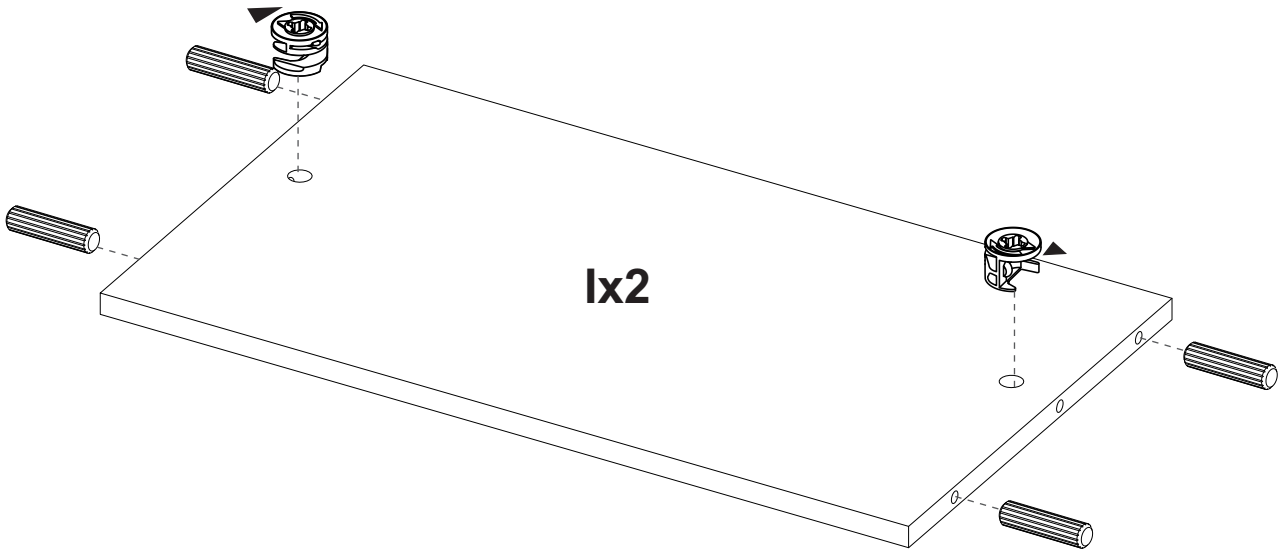
5



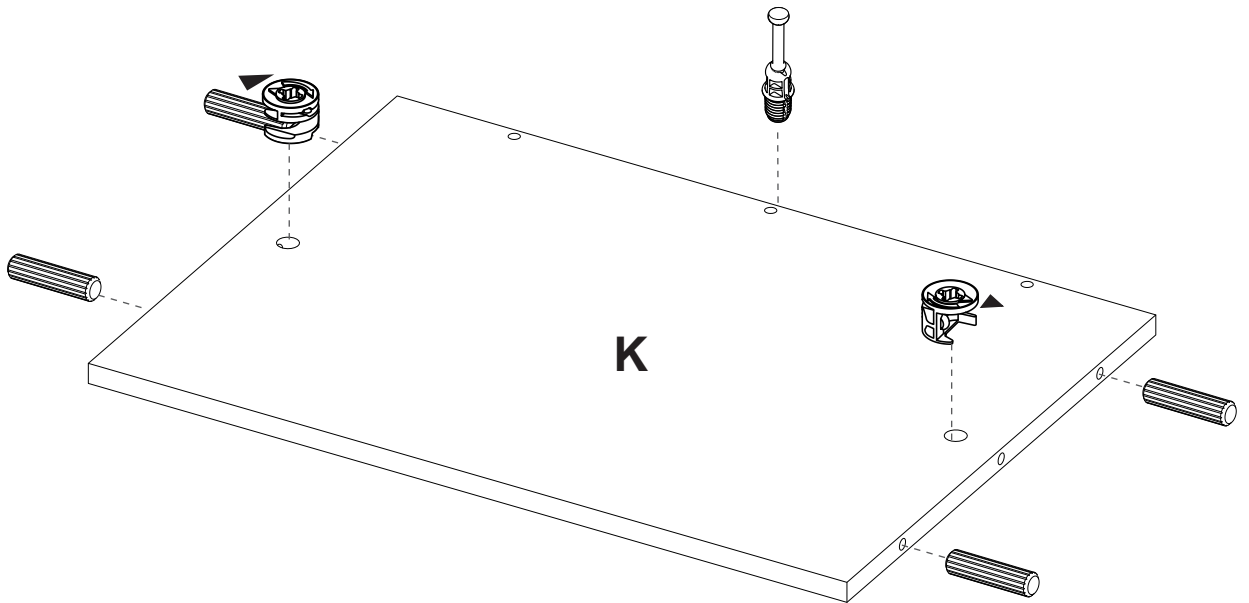
6



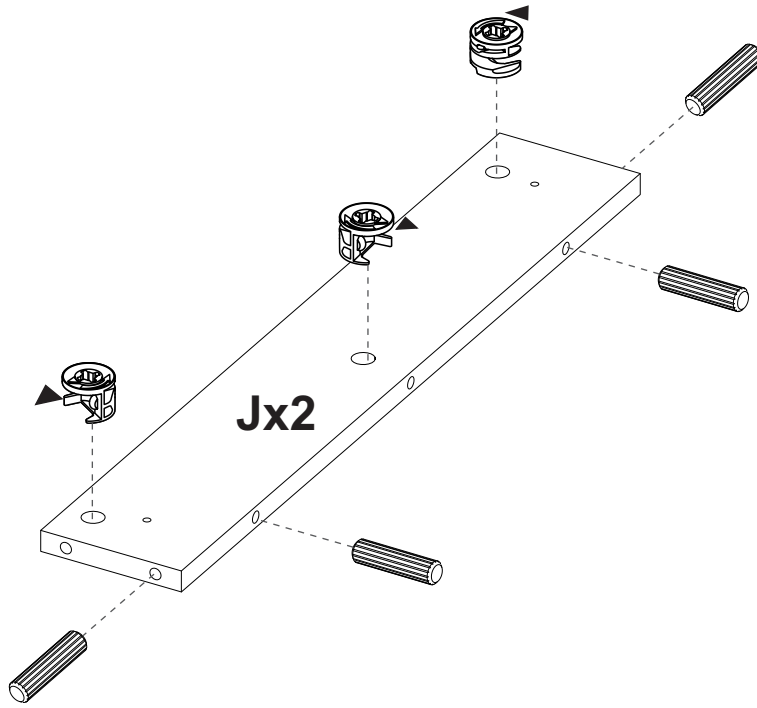
7



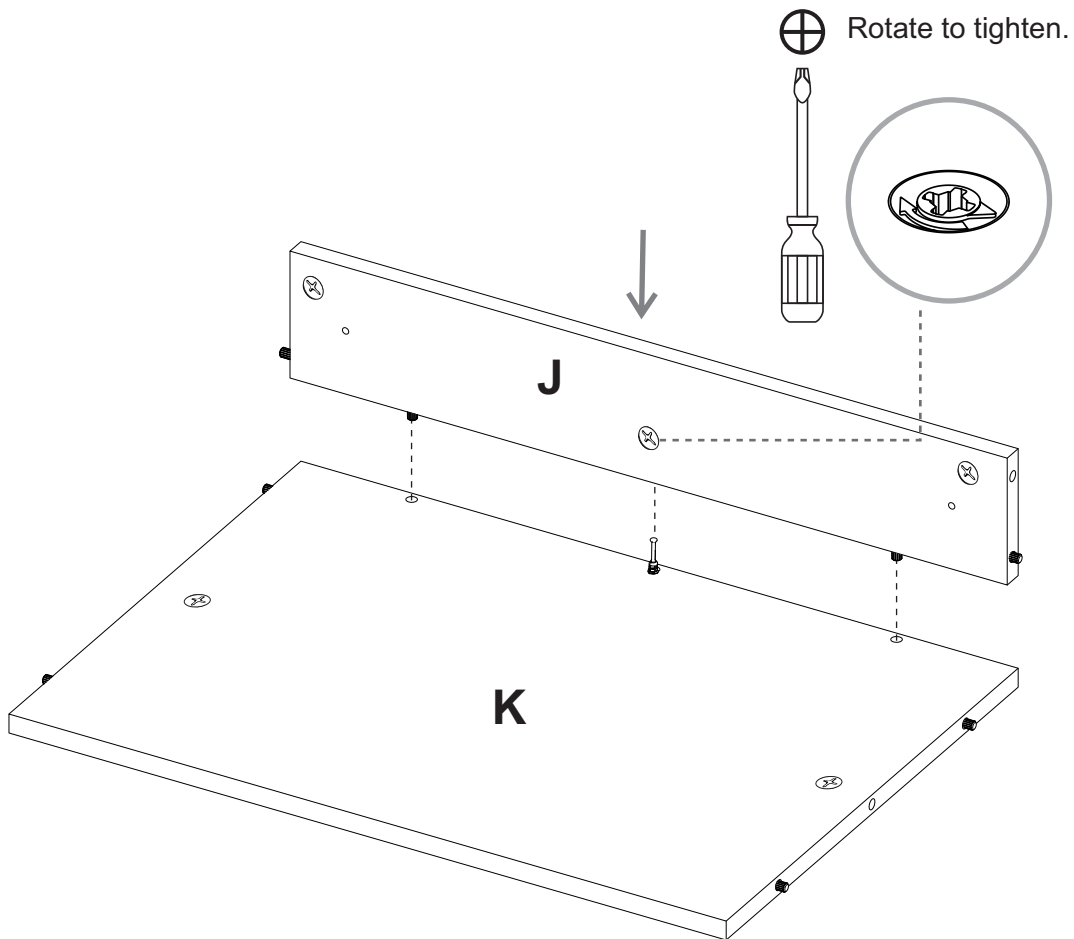
8



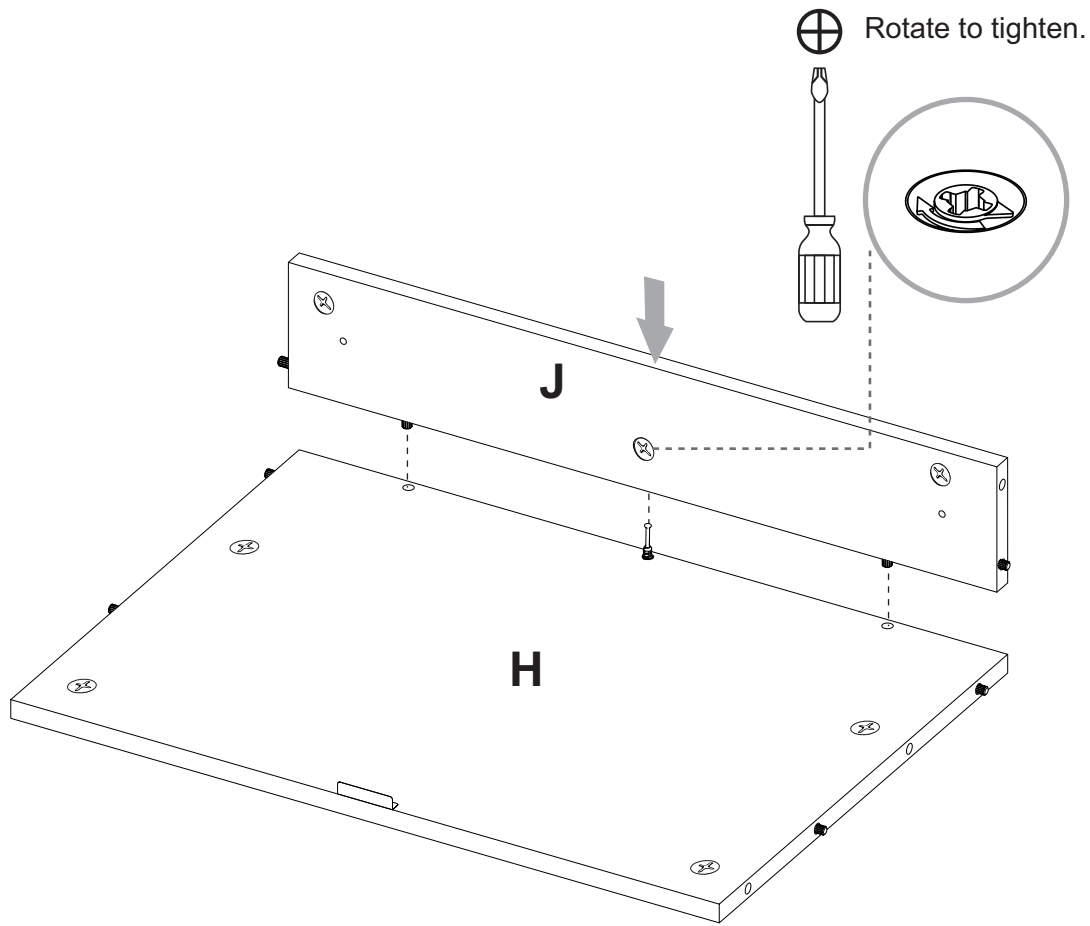
9



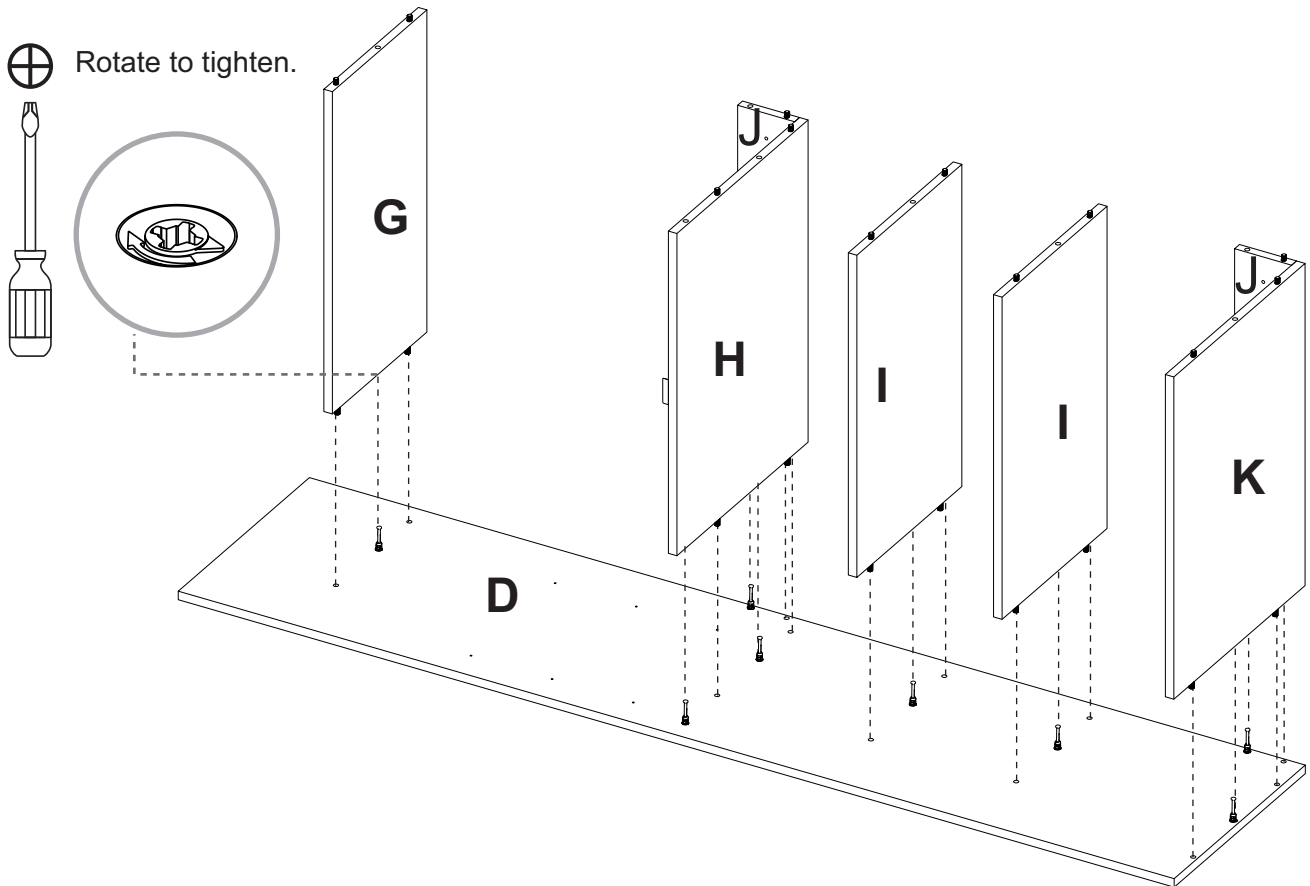
10



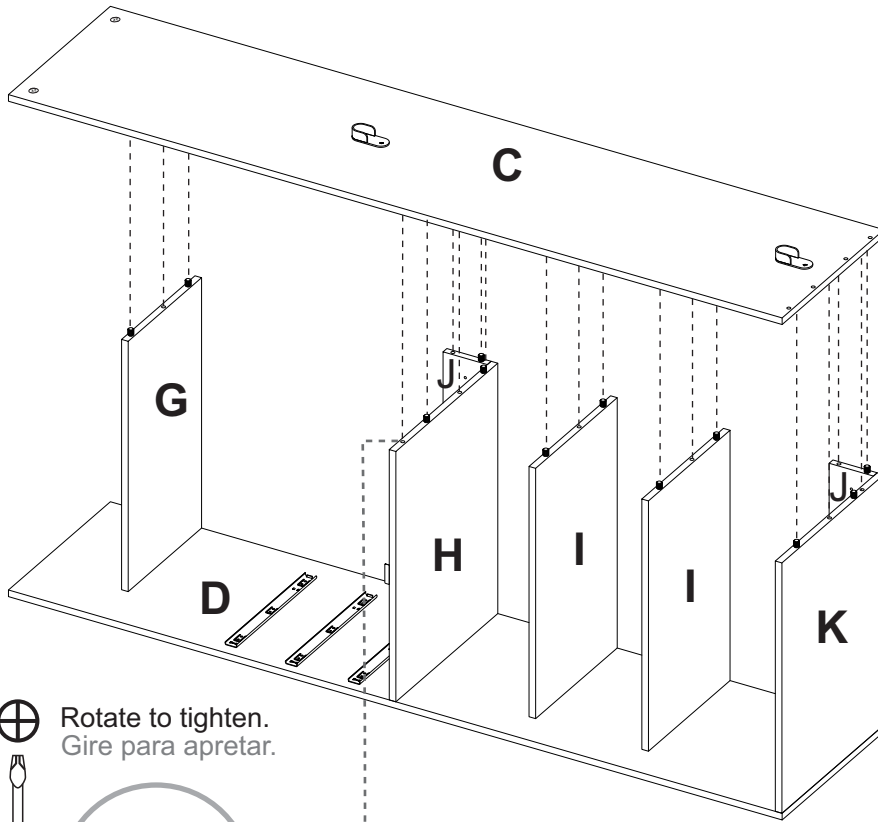
11



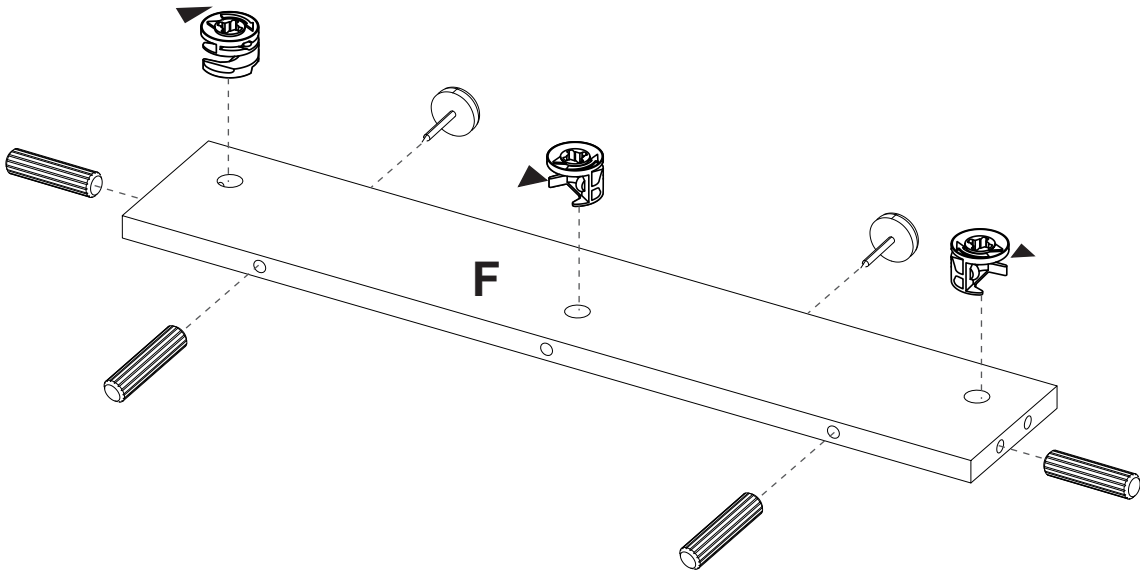
12



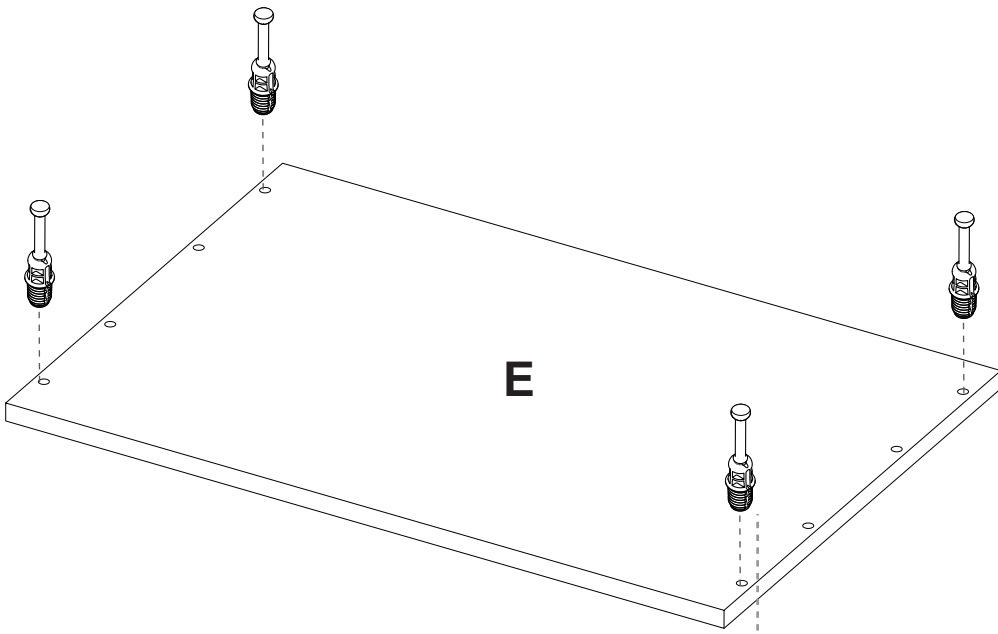
13



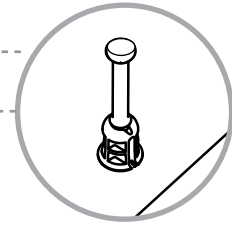
14



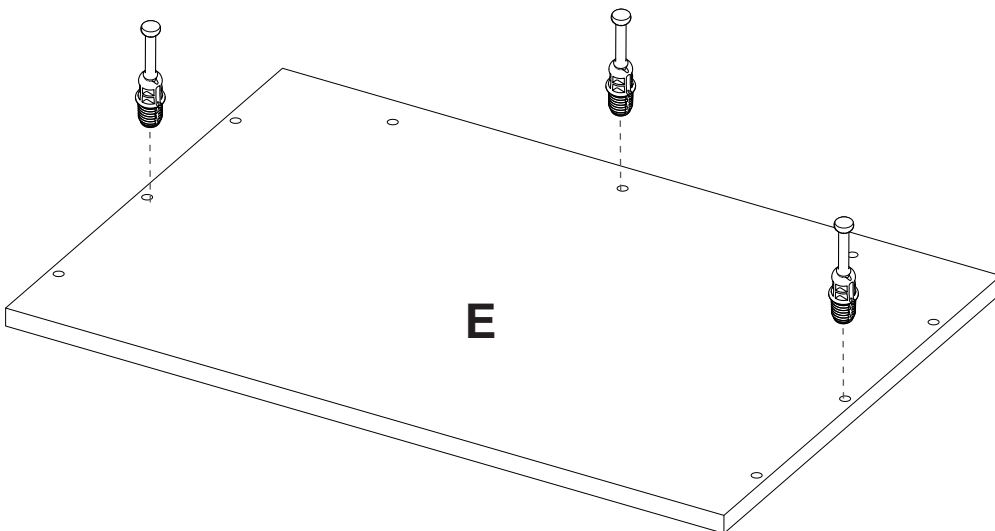
15



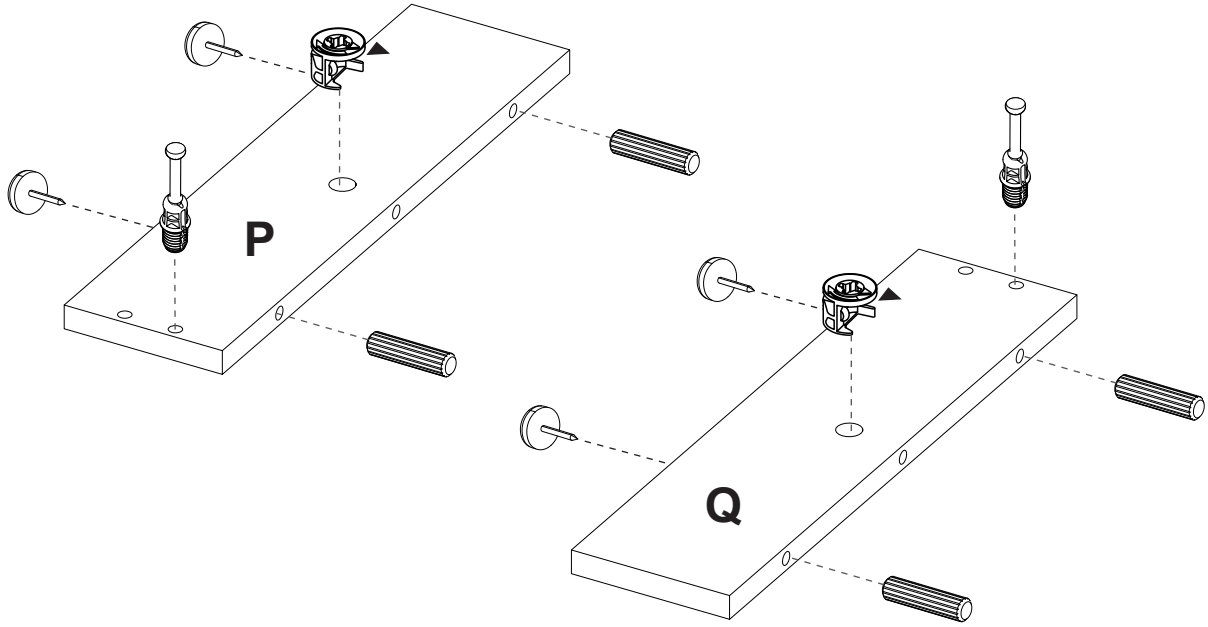
Rotate
Voltæar



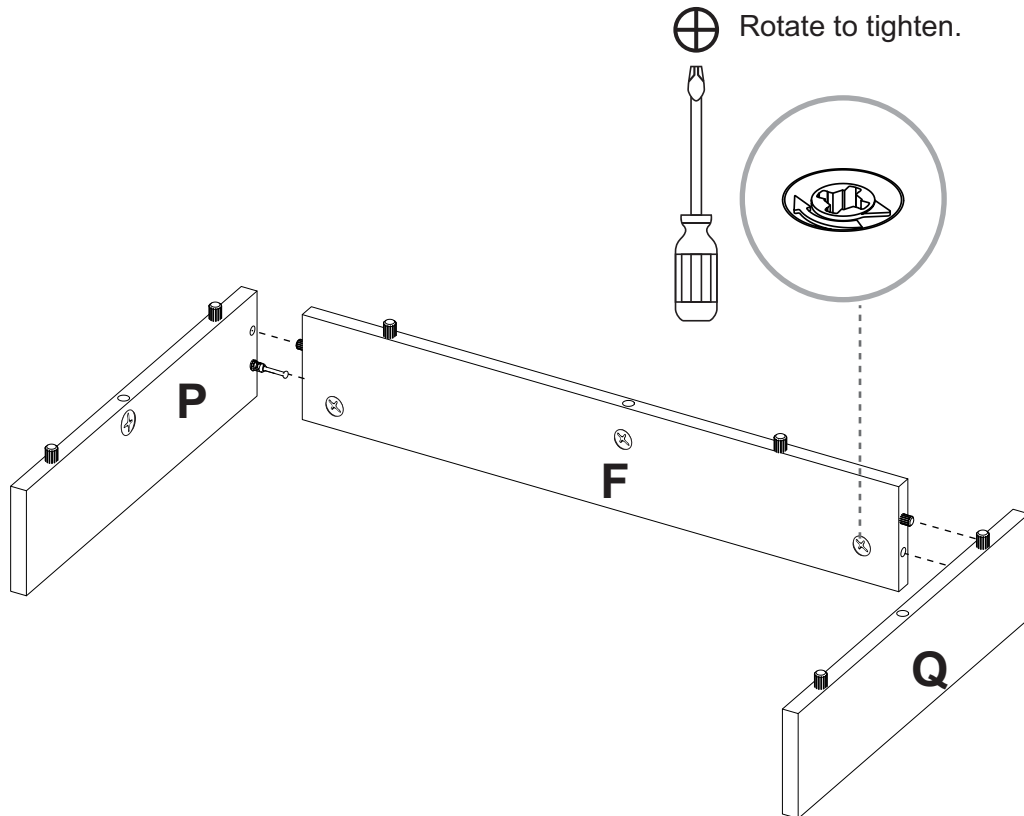
16
14



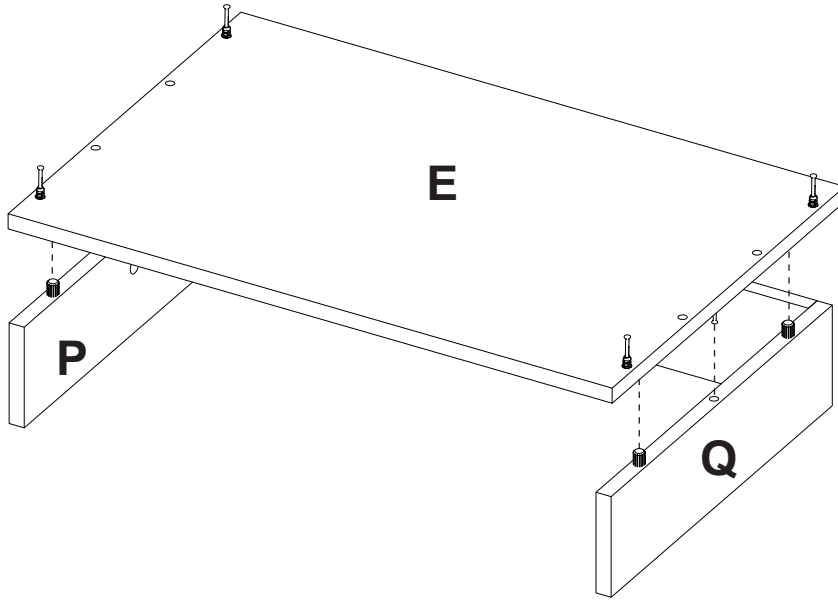
17



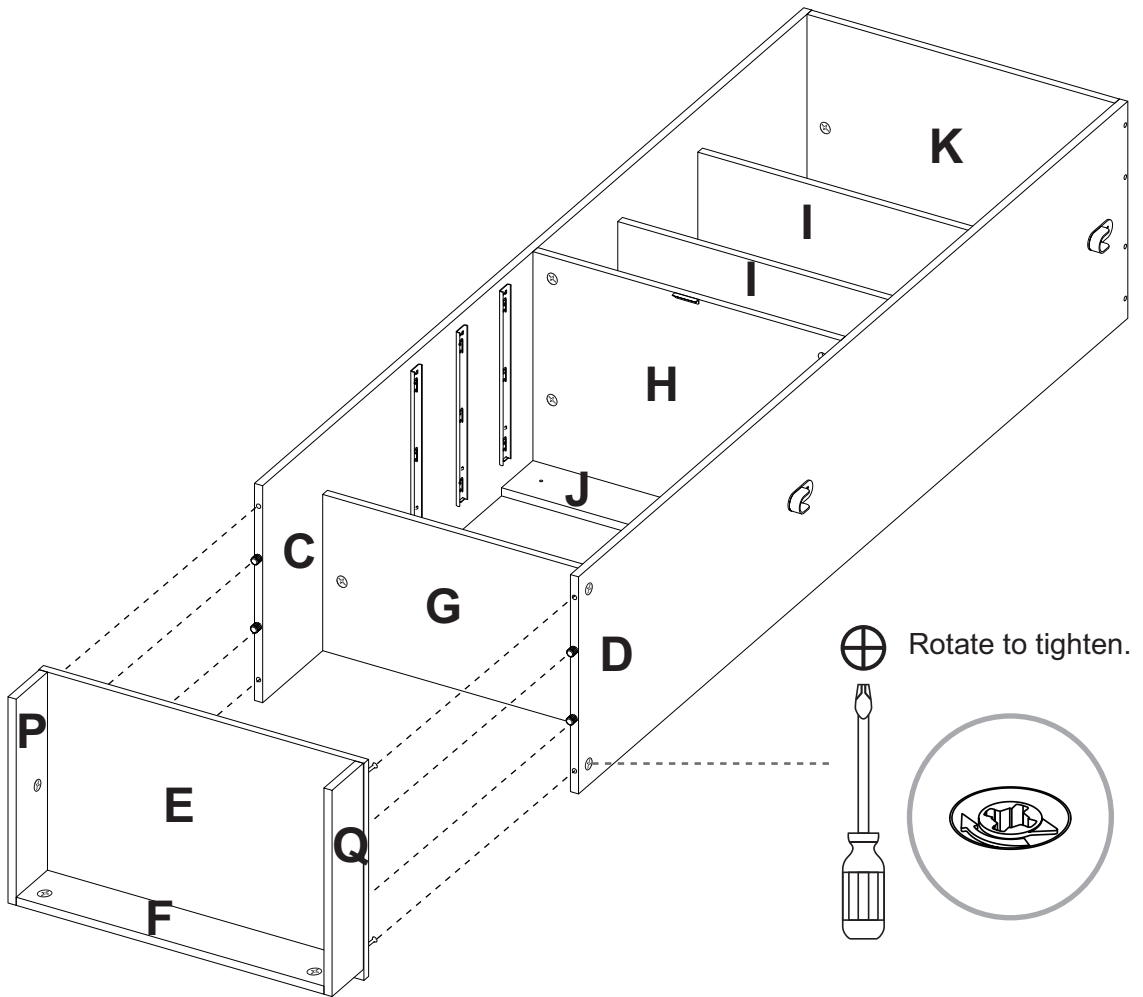
18



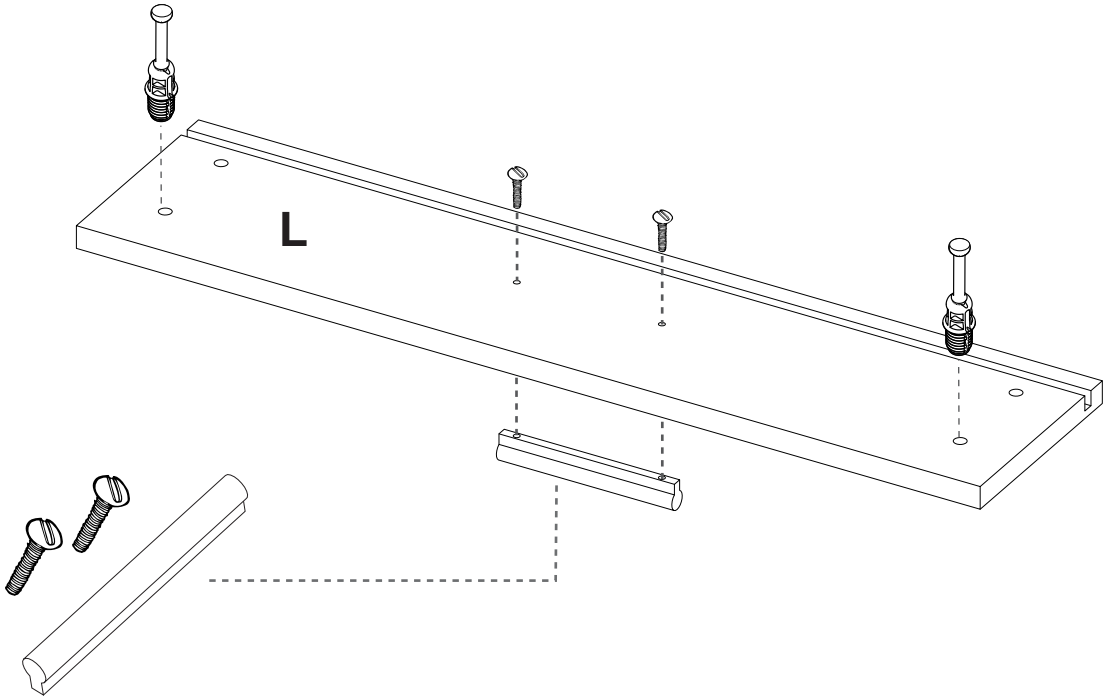
19



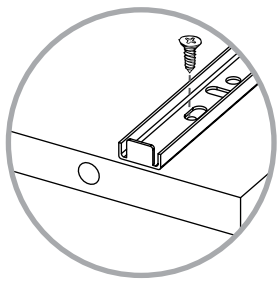
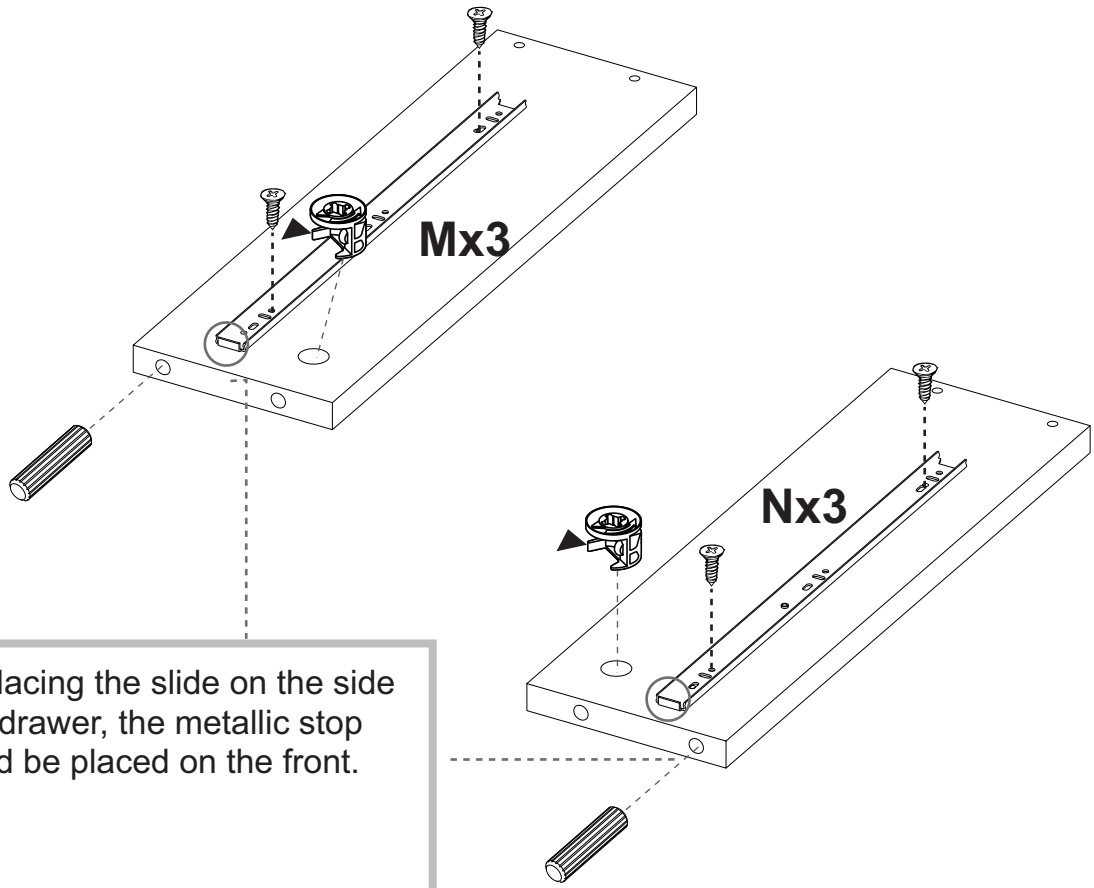
20



21 X2

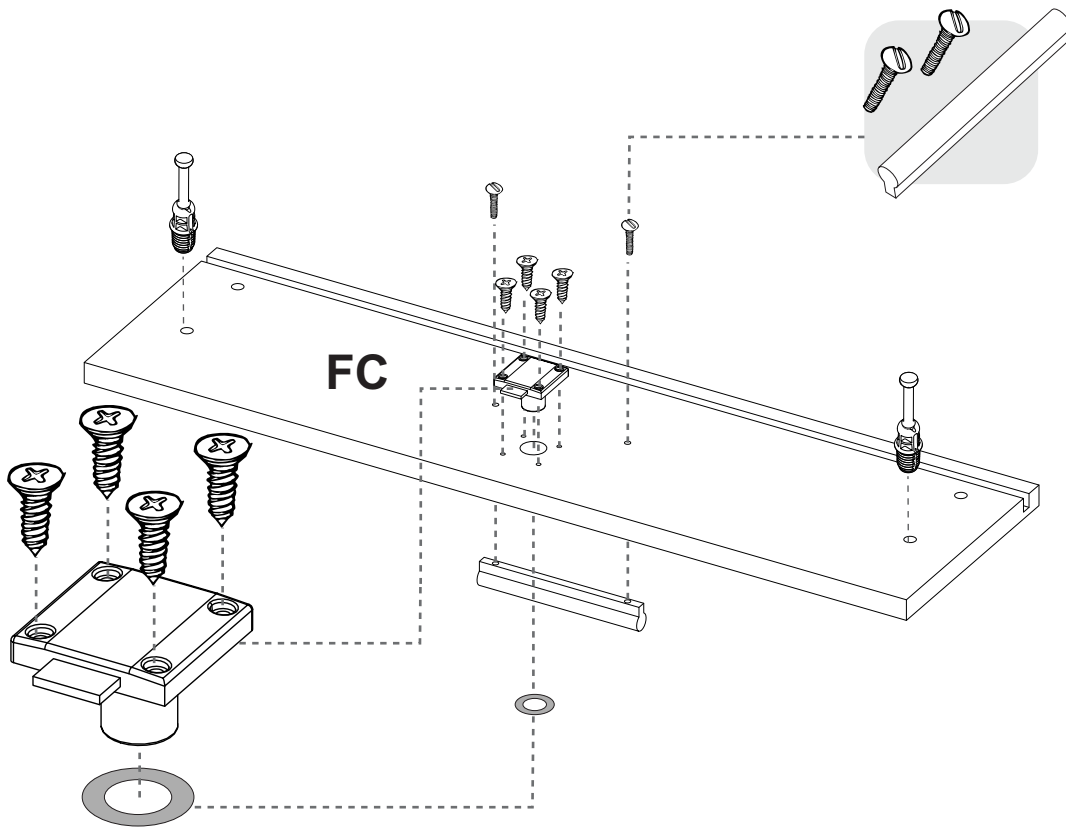


22

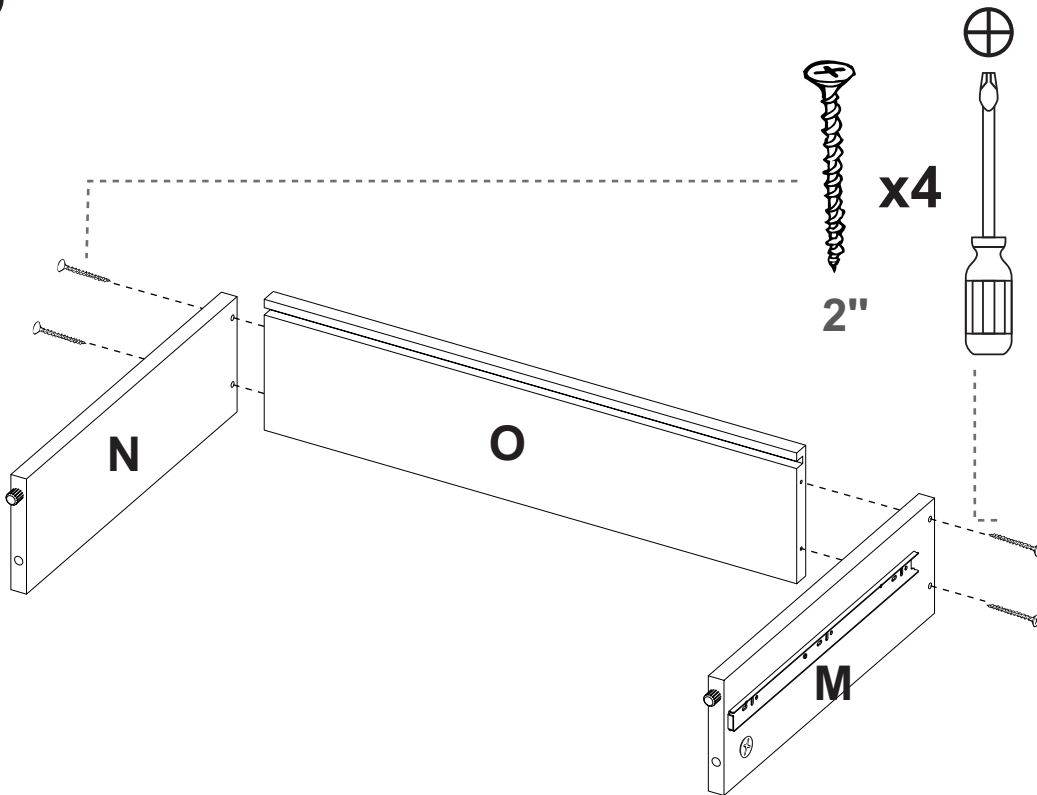


When placing the slide on the side of the drawer, the metallic stop should be placed on the front.

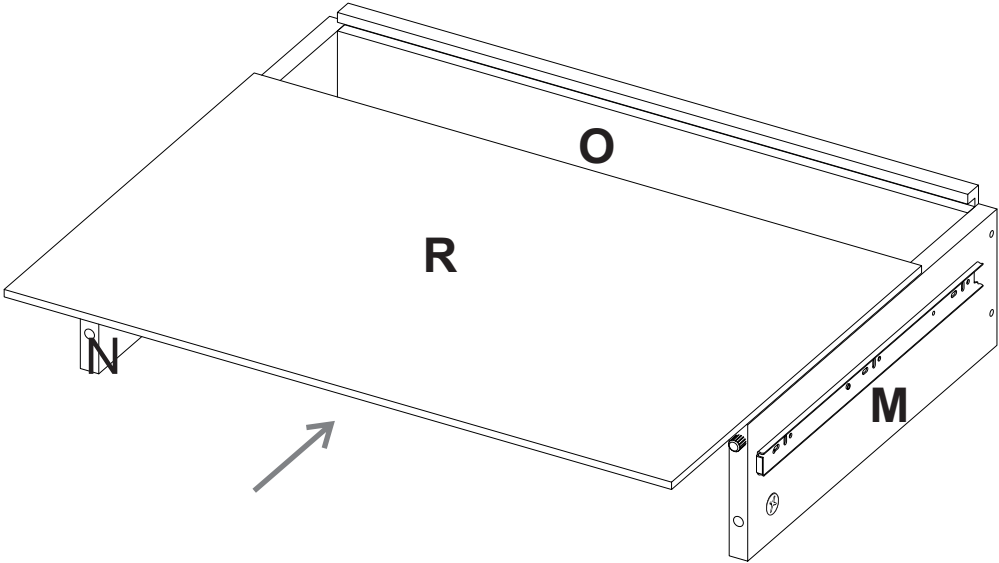
23



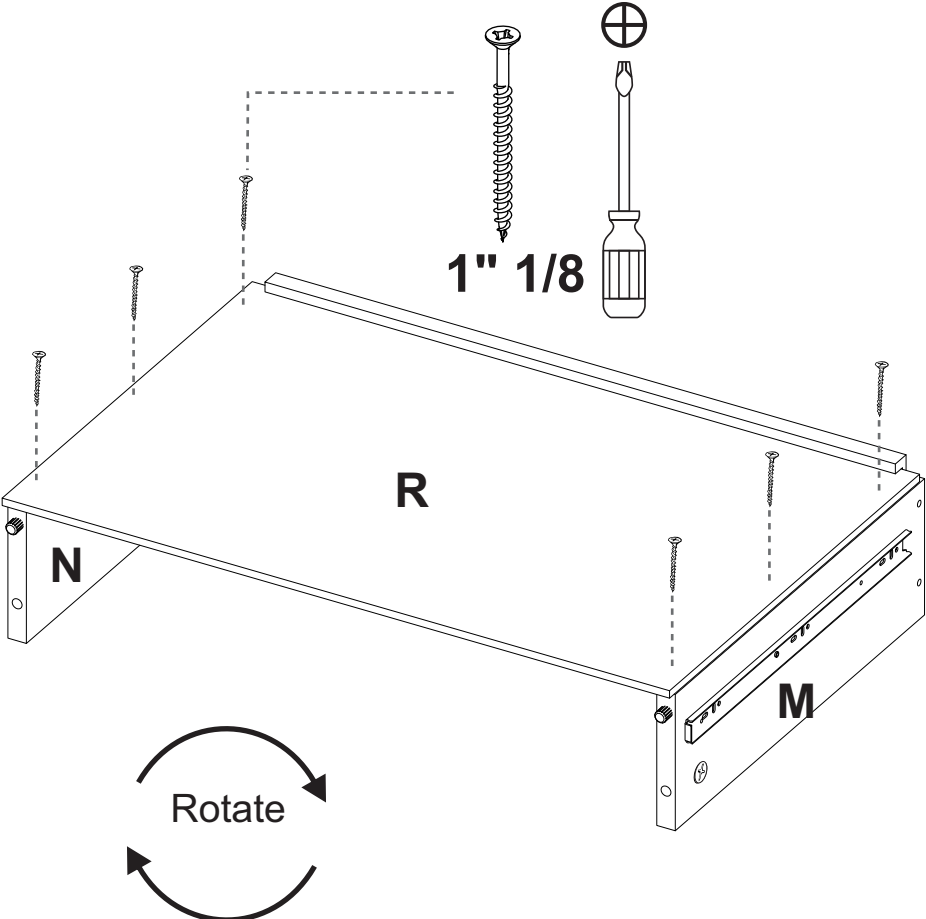
24 X3



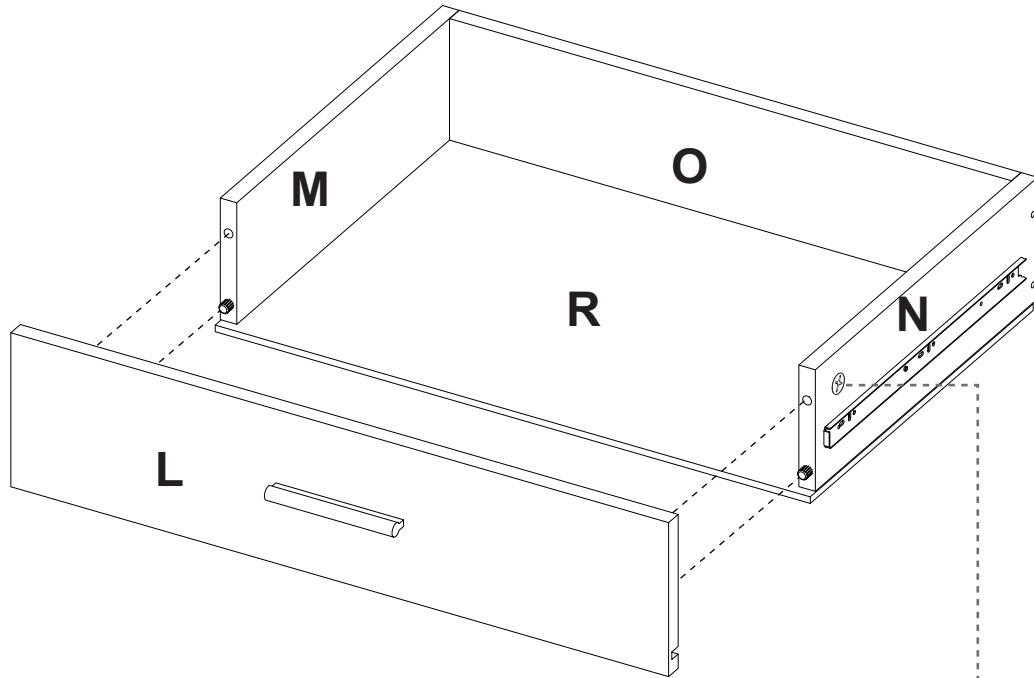
25 X3



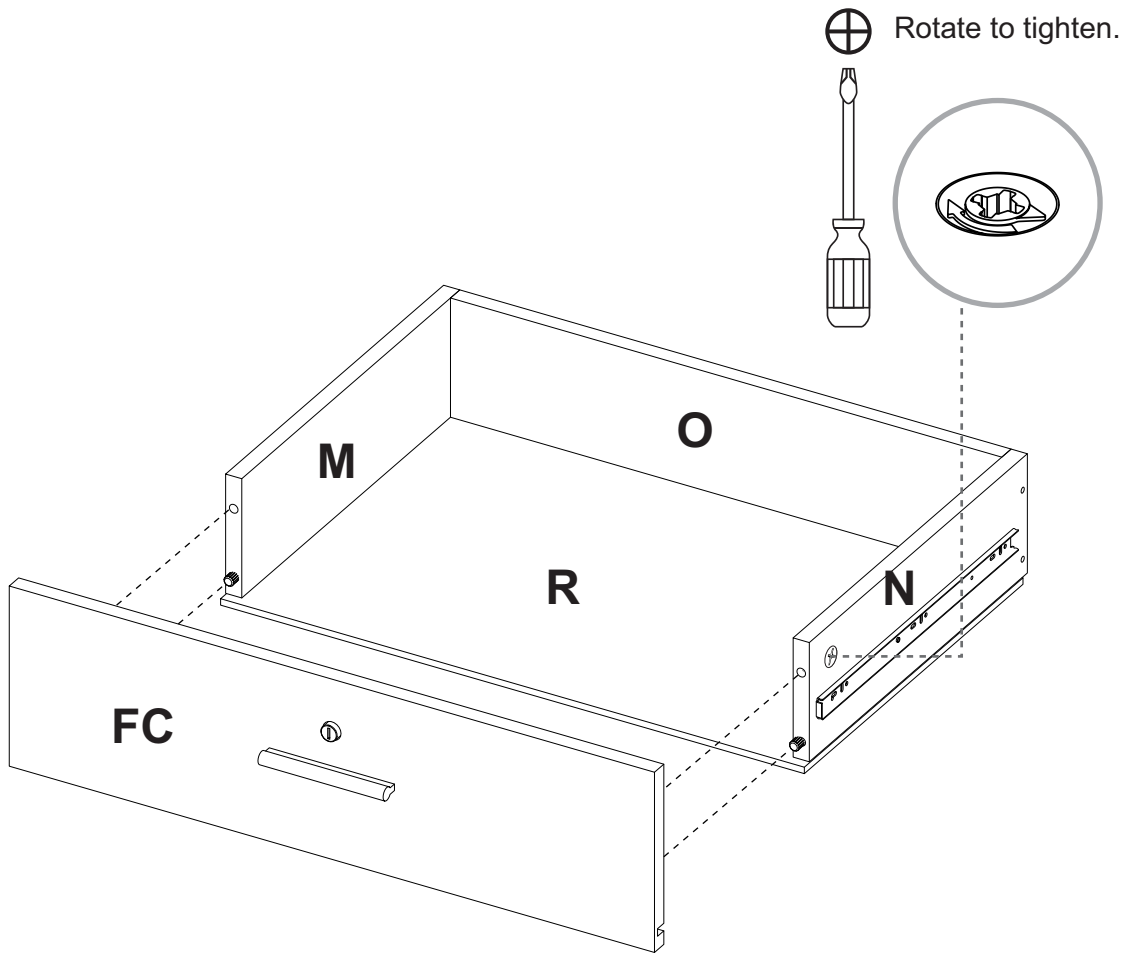
26 X3



27 X2



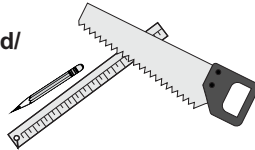
28



BEFORE YOU CONTINUE THE ASSEMBLY, MEASURE THE SPACE WHERE YOU ARE GOING TO PUT THE CLOSET AND CUT PIECES A AND B, AND OVAL TUBES IF NECESSARY, FOR THIS TAKE AS A GUIDE THE FIGURE BELOW

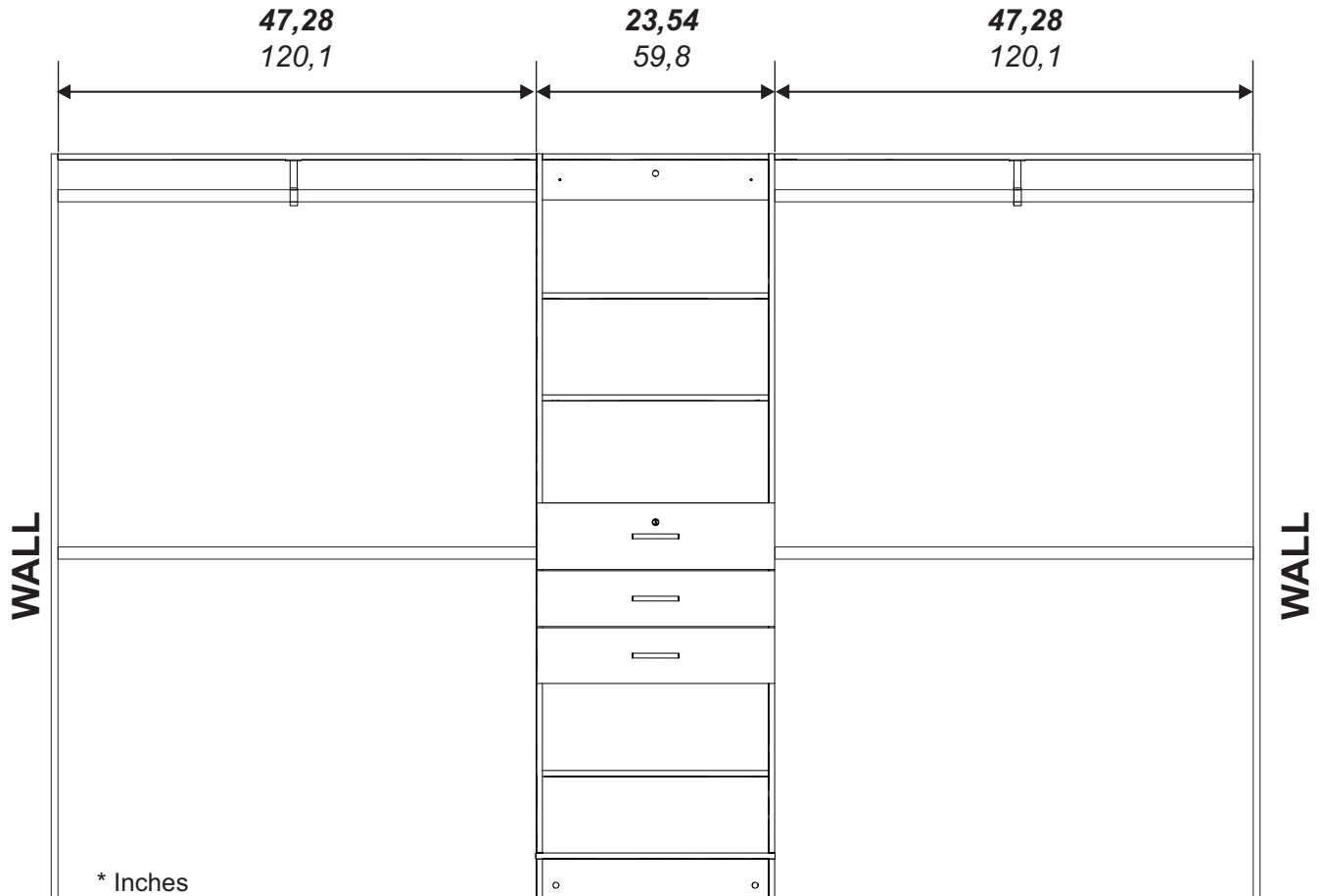


* Tools not included/

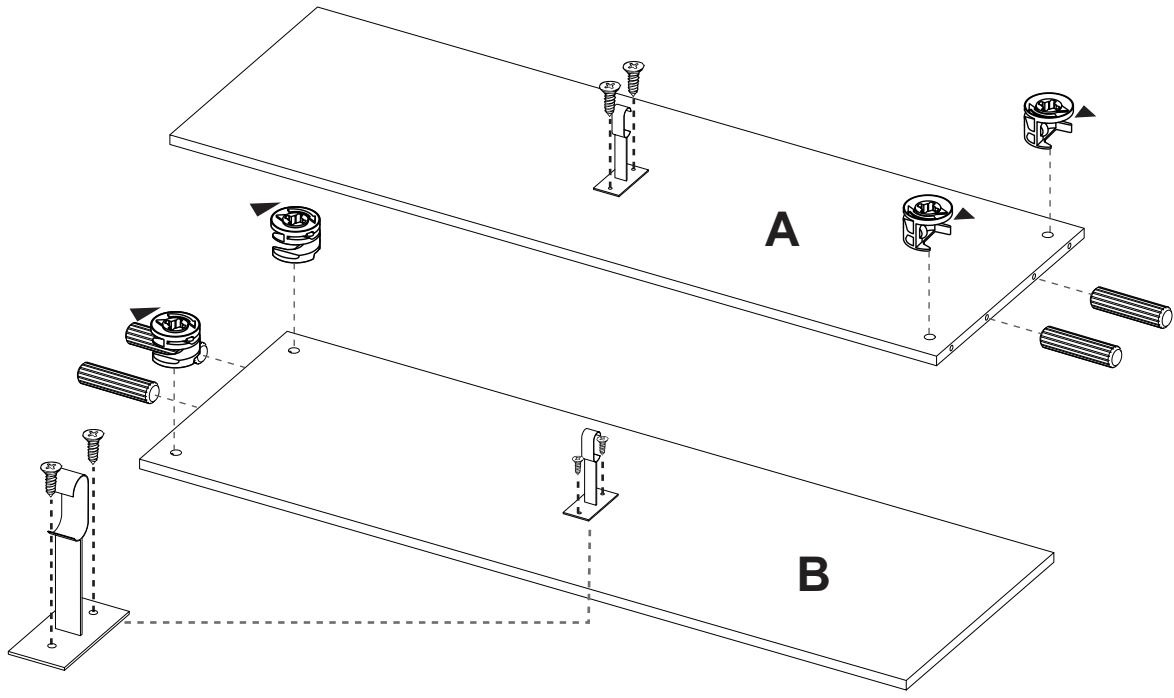


Use a pencil to mark the cutting of pieces A and B, then use the appropriate tools for cutting

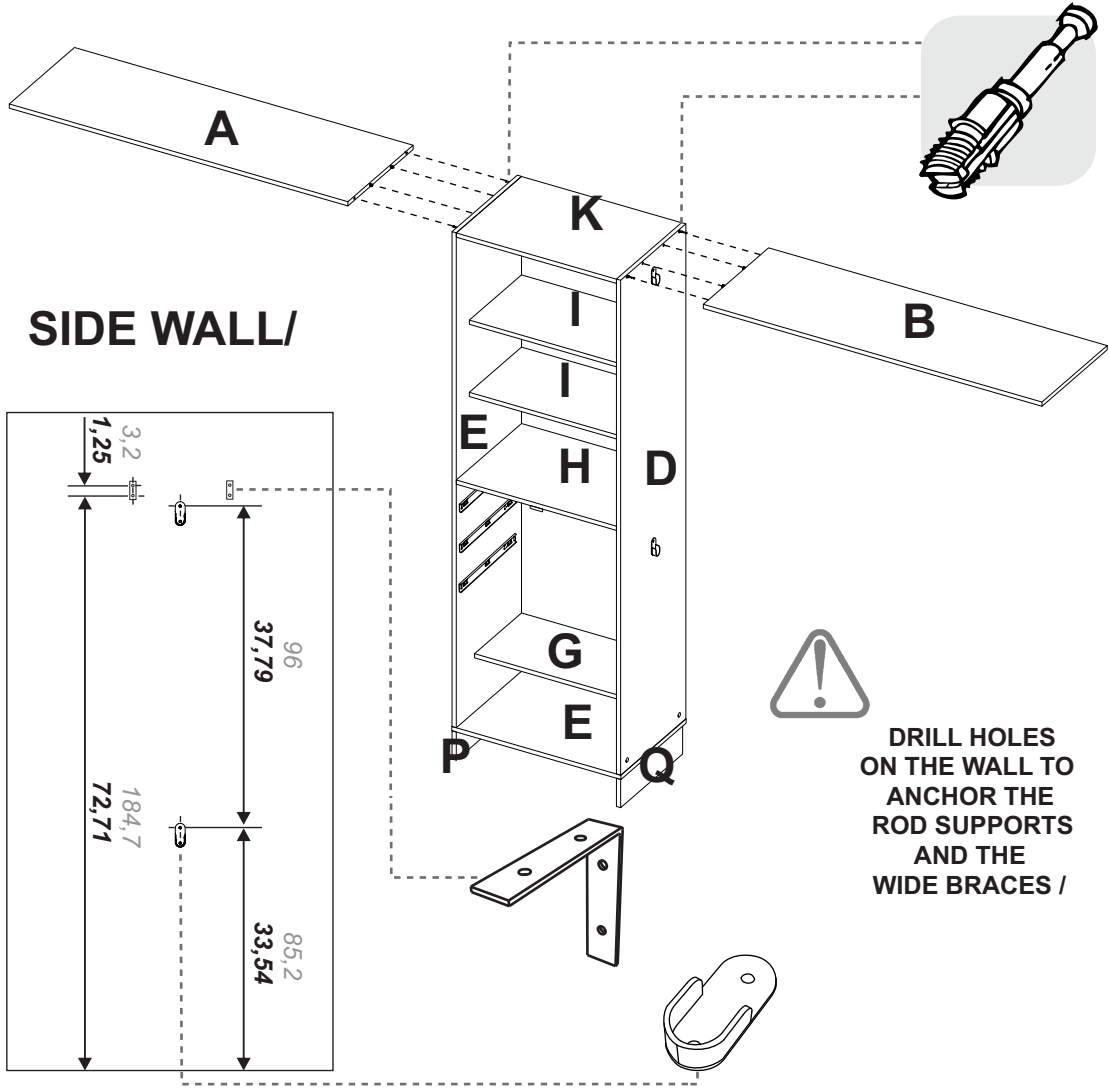
* Total Measures

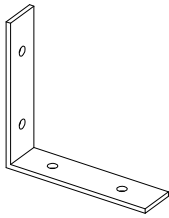


30

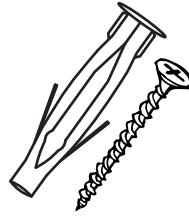


31



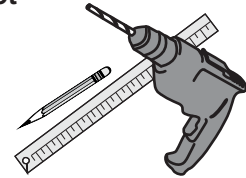


Mark with a pencil the holes of the Wide Bracers on the wall (Wall Anchor not included/



Drywall Screw+ Wall Anchor/

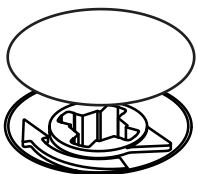
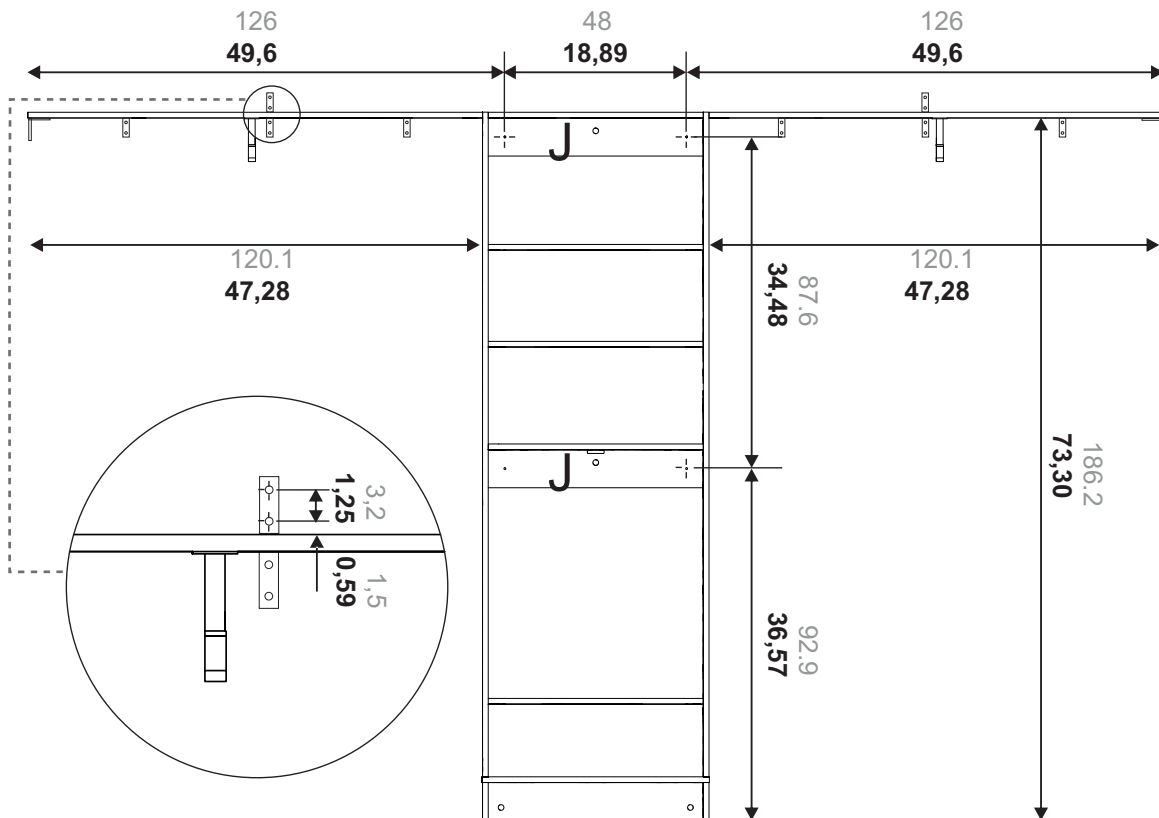
* Tools not included/



Use a 5/16" drill bit to drill the wall/

WALL

* Inches

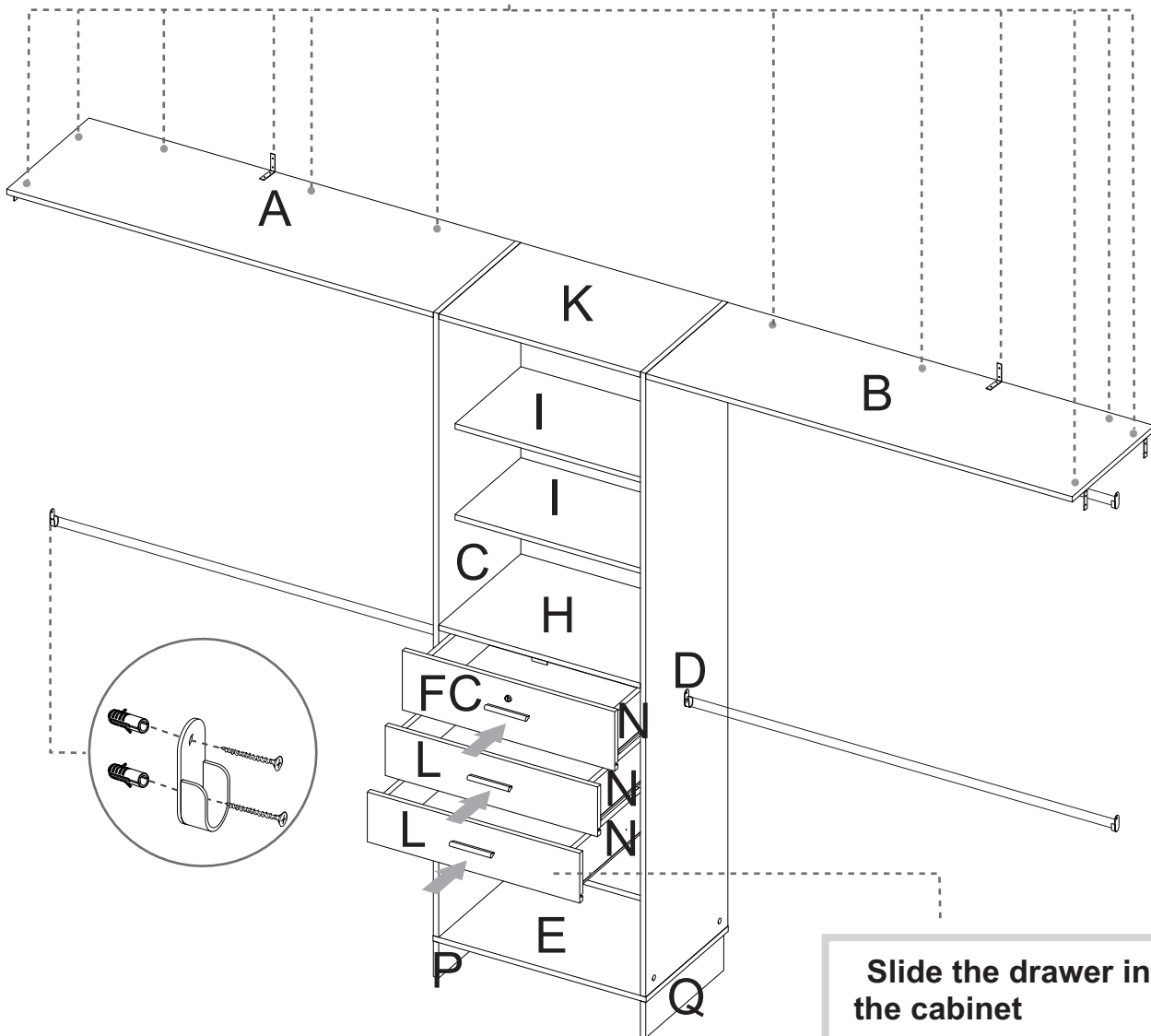
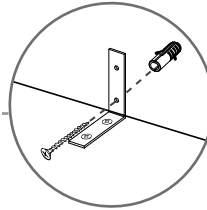
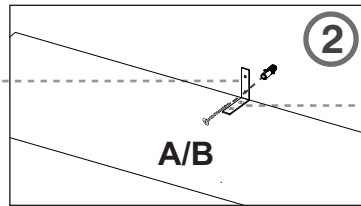
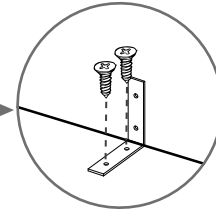
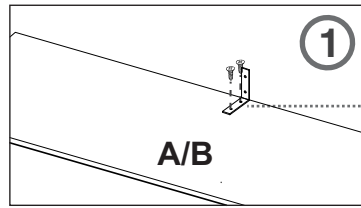


After adjusting all the Minifix cams, cover them up with the cover caps.

A

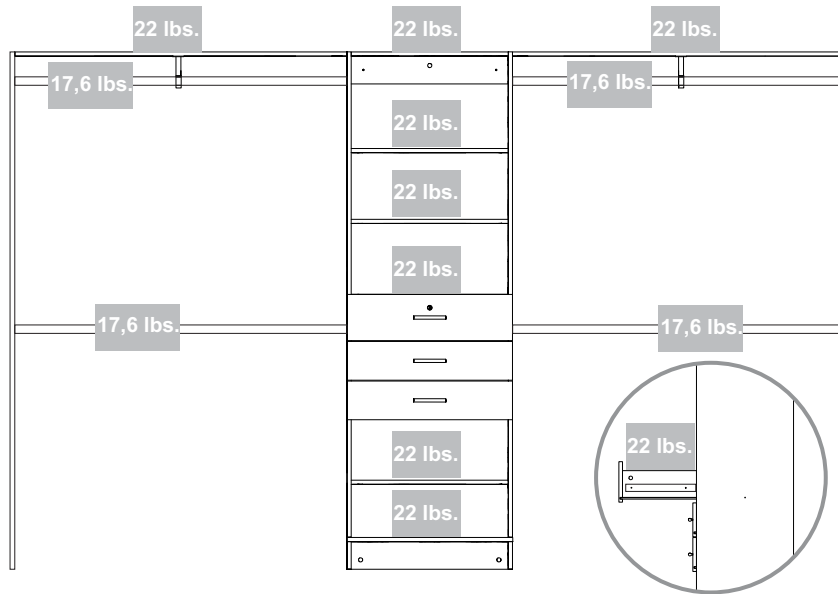
After finishing the assembly, lift off all the adhesive letters.

Wall Anchoring /

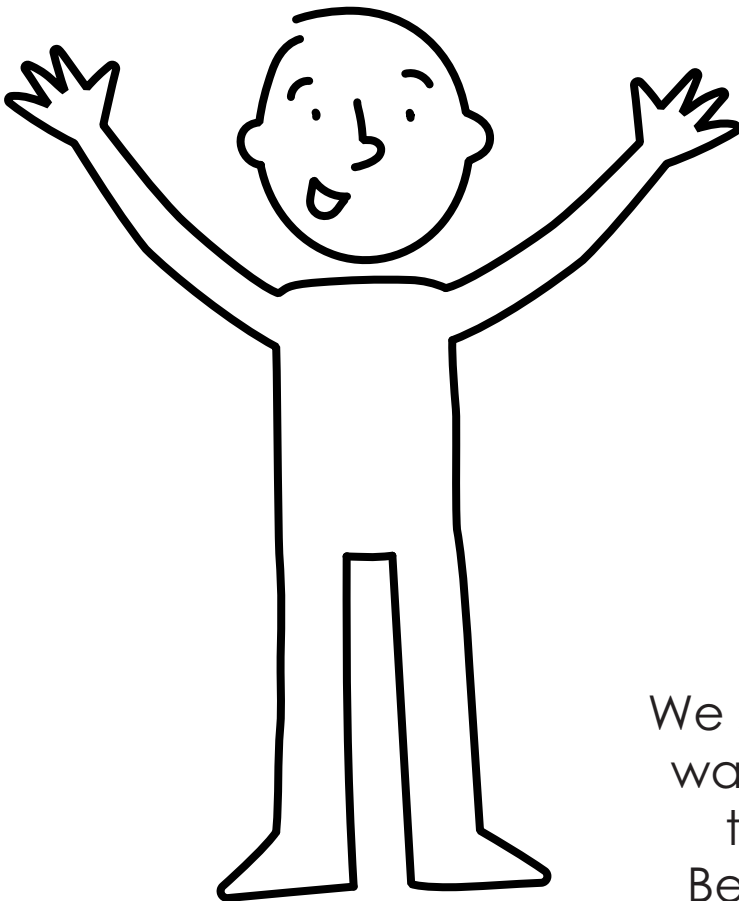


**Slide the drawer into
the cabinet**

How much weight does my cabinet resist?



*weight in pounds



**Congratulations!
It's done**

But don't go yet!

**There are some
recommendations left for you to
take care of your cabinet
correctly from now on.**

SUPER IMPORTANT!

We suggest fixing the cabinet to the wall, so we can avoid the cabinet tipping and harming anyone. Be specially careful with the kids.

WARRANTY POLICY

Furniture has a 1 year warranty coverage in wooden parts and hardware pieces since its manufacturing date, which you can see in the lot number printed on the product box and the assembly instructions leaflet.

Warranty covers materials and workmanship imperfections which impair the assembly or correct functioning of the cabinet.

This warranty is not valid if the defects or imperfections are caused by the incorrect following of the assembly instructions, warnings and recommendations, misuse, intentional damage, fire or flood, or after modifications or any kind of alteration, or repaired by someone not authorized, when it's been assembled 3 months after the date of purchase. These defects **MUST** be reported before the warranty coverage period ends. Once the product has been assembled, the company will not be responsible for defective and/or damaged parts.

This warranty is **ONLY** valid for the **ORIGINAL PURCHASER**, it doesn't apply if the product has been resold, rented, etc.

Furniture will take no liability for incidental or consequential damages caused to or by the product (This may not apply in your state).

To make this warranty valid you must write to our customer service email describing the product defect, lot number and submitting your sales receipt or proof of purchase, or contact us at our customer service line. Replaced parts will be under the product's original warranty coverage period. Damaged parts will become property of the company.

There are no other warranties applicable to this product.