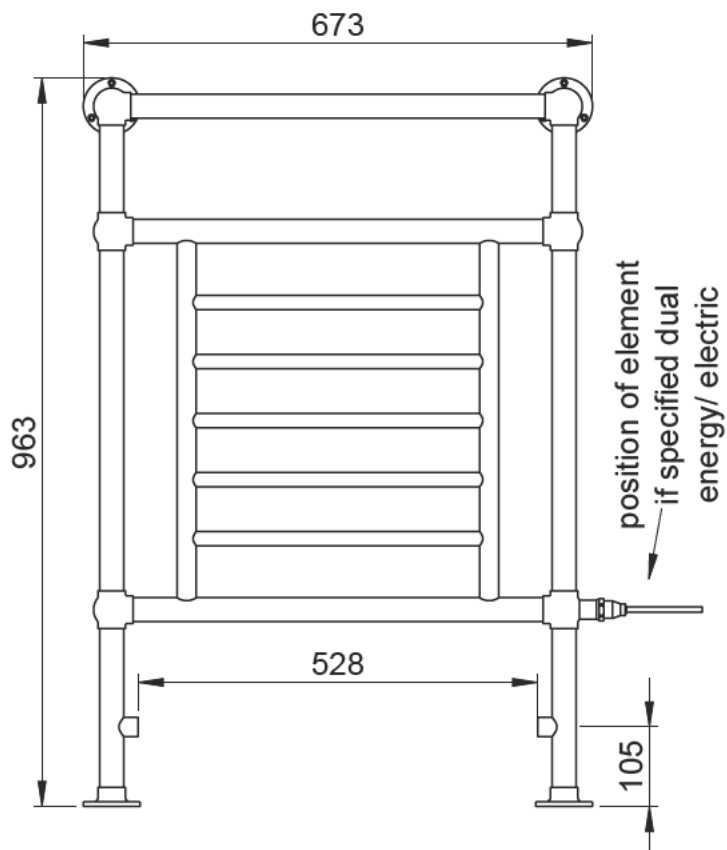
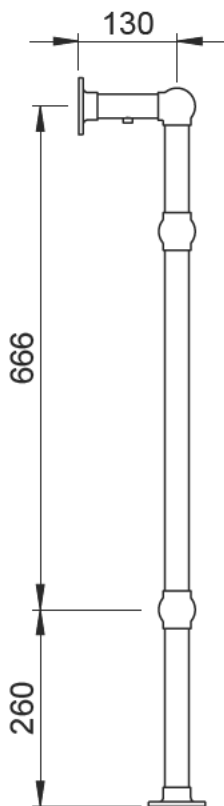
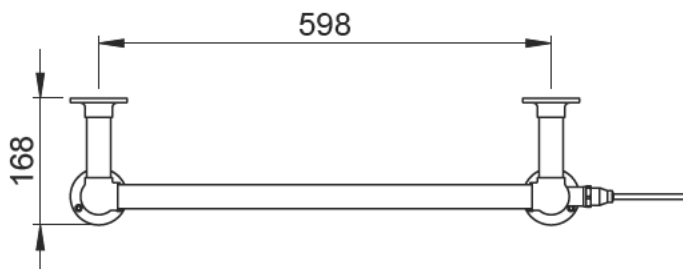
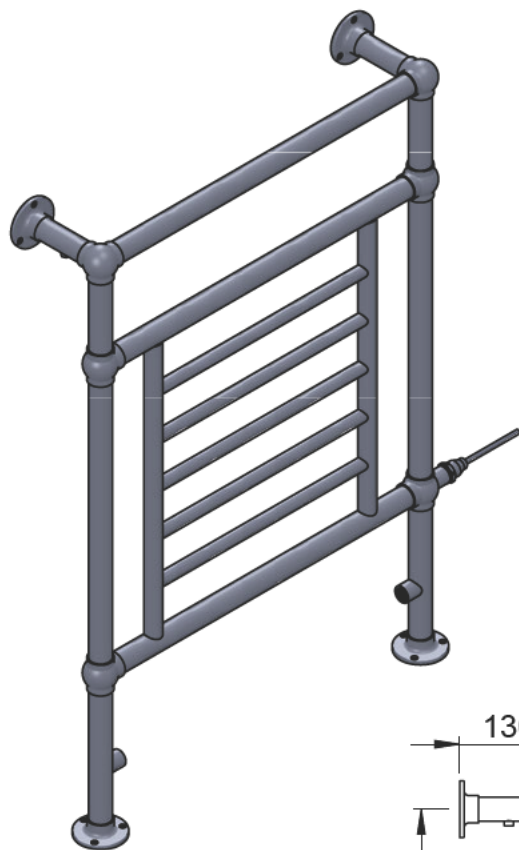


Height: 963
Width: 673
Depth: 168
Weight HO: kg
EO: kg

Tube ϕ : 31.8 + 25.4 + 19
Pipe Centres: 528
Elec. element if specified: 125
Output @ 50°C Δ T Watts: 290
BTUs: 989

All dimensions in millimetres

Manufactured from Mild Steel



ALL MEASUREMENTS ARE NOMINAL DIMENSIONS ONLY, AND ARE NOT BINDING.



SCALE 1:10