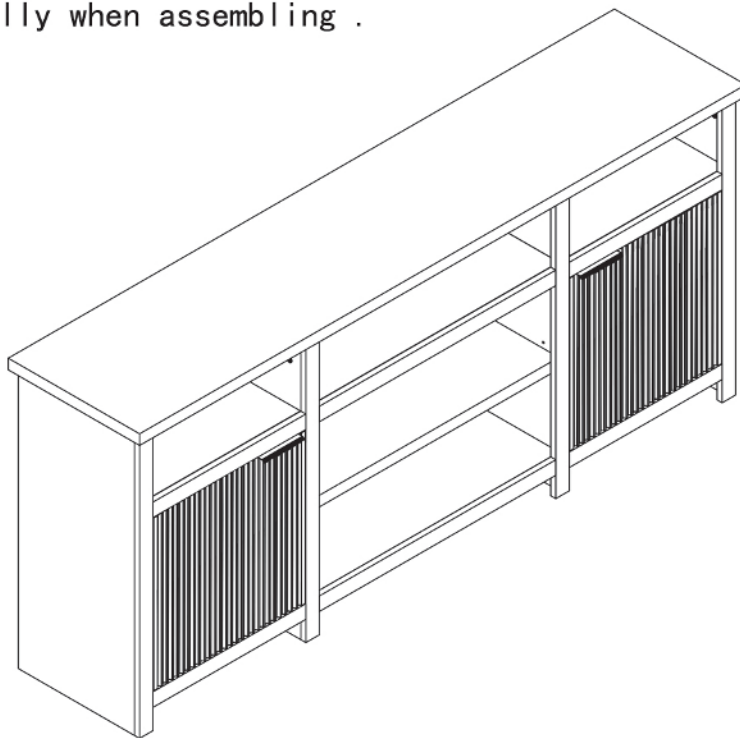
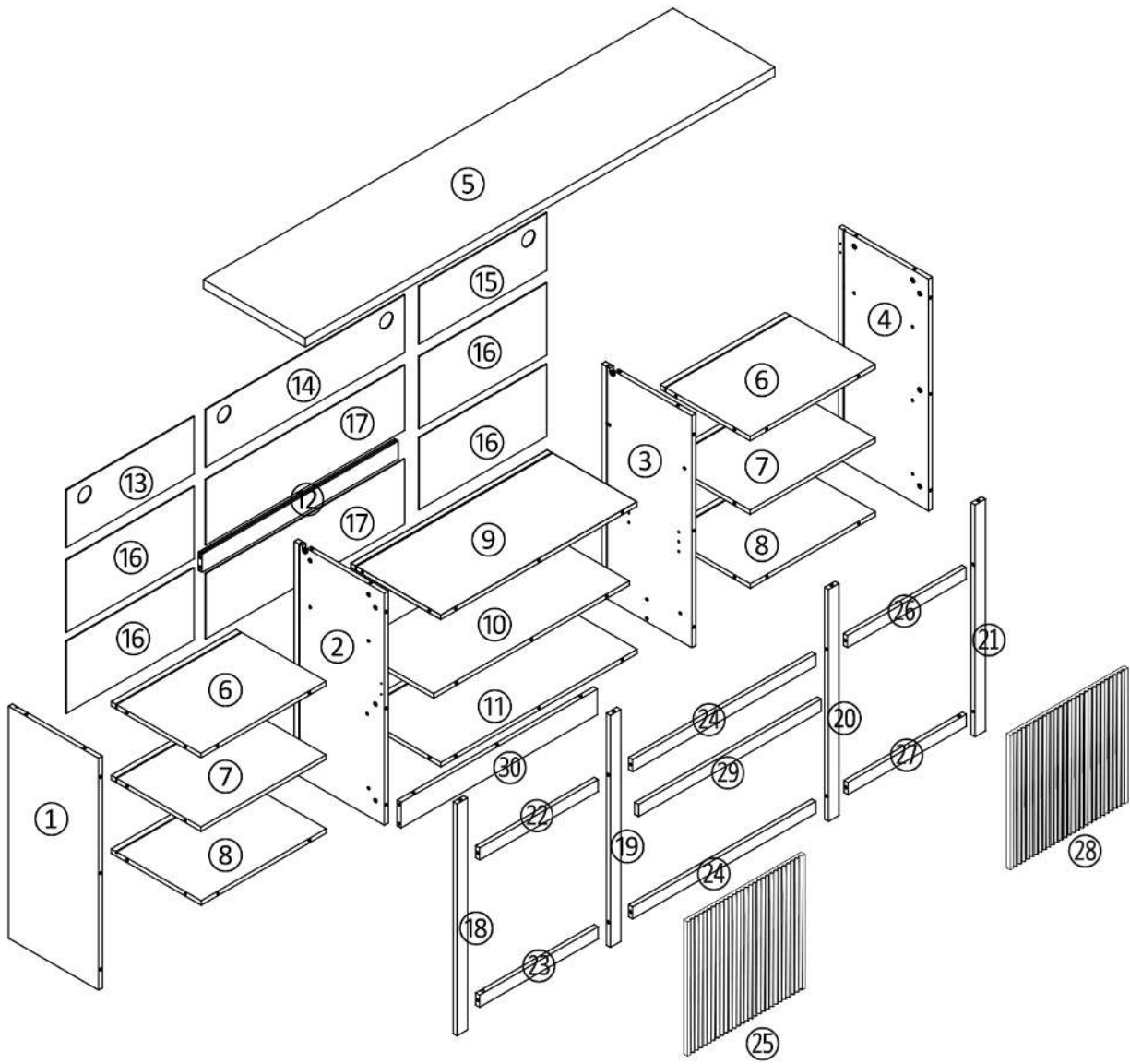


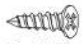






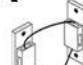






# ASSEMBLY INSTRUCTION

- Read the assembly instructions carefully before beginning assembly.
- Ensure the safety of the glass during assembly.
- Do not over tighten the screws and bolts as this may damage the threads.
- Insert the screw into the hole as shown in the figure, follow the arrow in the picture, and then rotate 90° or 180° clockwise.
- Keep the small accessories in the accessory bag away from children.
- The remaining parts are spare parts.
- Kind tips: when installing the white backboard, install the white side inward.
- The operating instruction of RGB light is included in the package. Read it carefully when assembling .

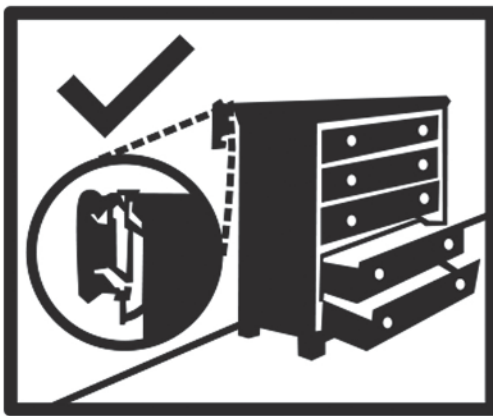
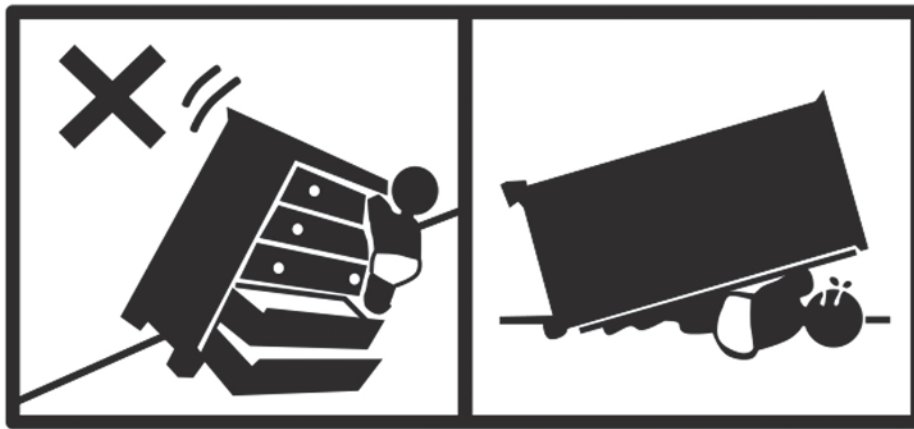




<b>A</b>  80pcs	<b>B</b>  80pcs	<b>C</b>  3.5*14 40pcs	<b>C8</b>  3.5*12 16pcs	<b>E</b>  8*40 16pcs	<b>F</b>  2pcs	<b>G2</b>  4pcs	<b>I4</b>  2pcs	<b>O</b>  2pcs	<b>X</b>  2pcs
<b>Y</b>  36pcs	<b>AG</b>  1pcs	<b>AM</b>  Decorative paper 20pcs	 <b>LED</b>						



# WARNING



Children have died from furniture tip over. To reduce the risk of tip over:

- ALWAYS secure this furniture to the wall using an anti-tip device.
- NEVER allow children to stand, climb, or hang on drawers, doors or shelves.

Do not defeat or remove the drawer interlock system.

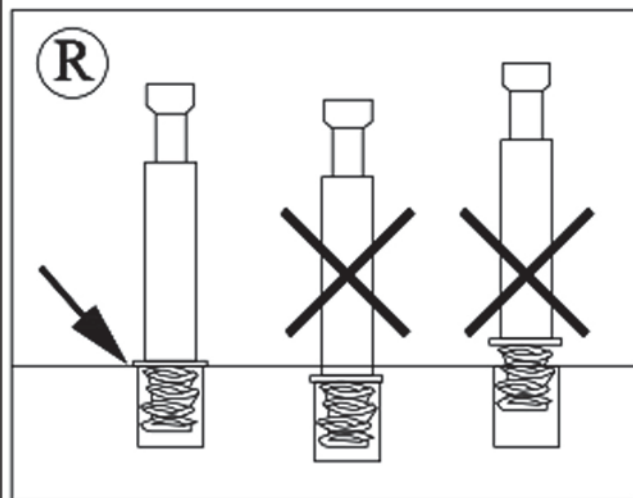
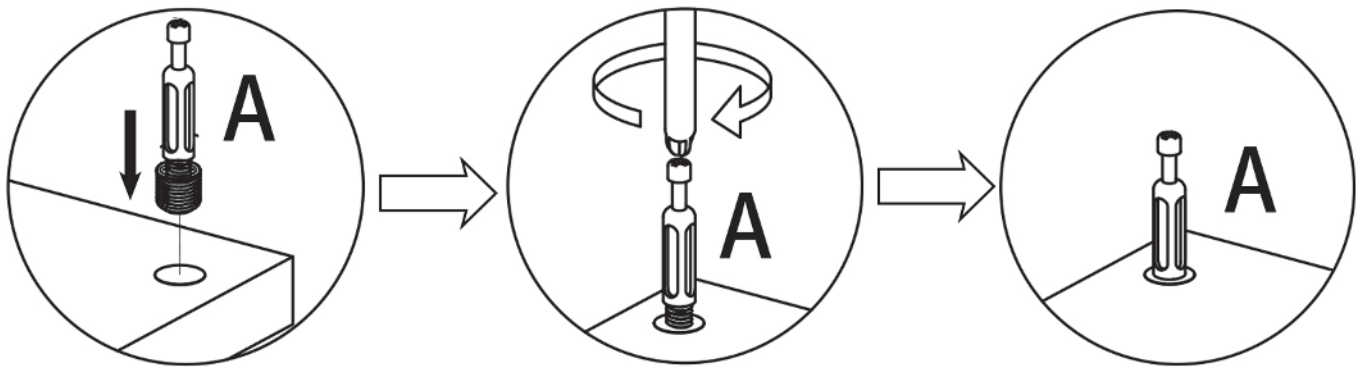
Place heaviest items in the lowest drawers.

NEVER put a TV on this furniture.



## Hardware installation demonstration

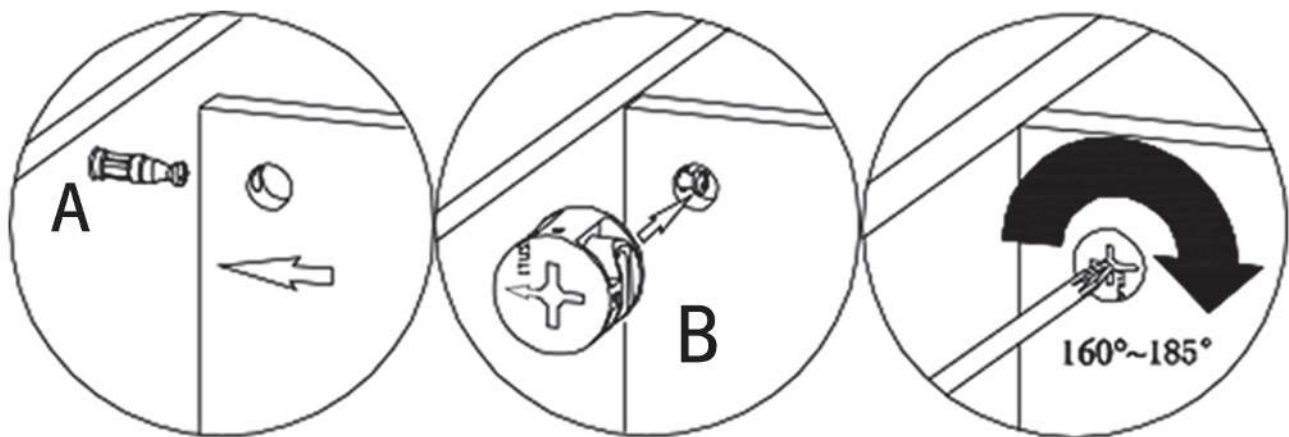
- Please make sure "A" hardware tightened and can't be pulled out



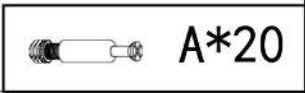
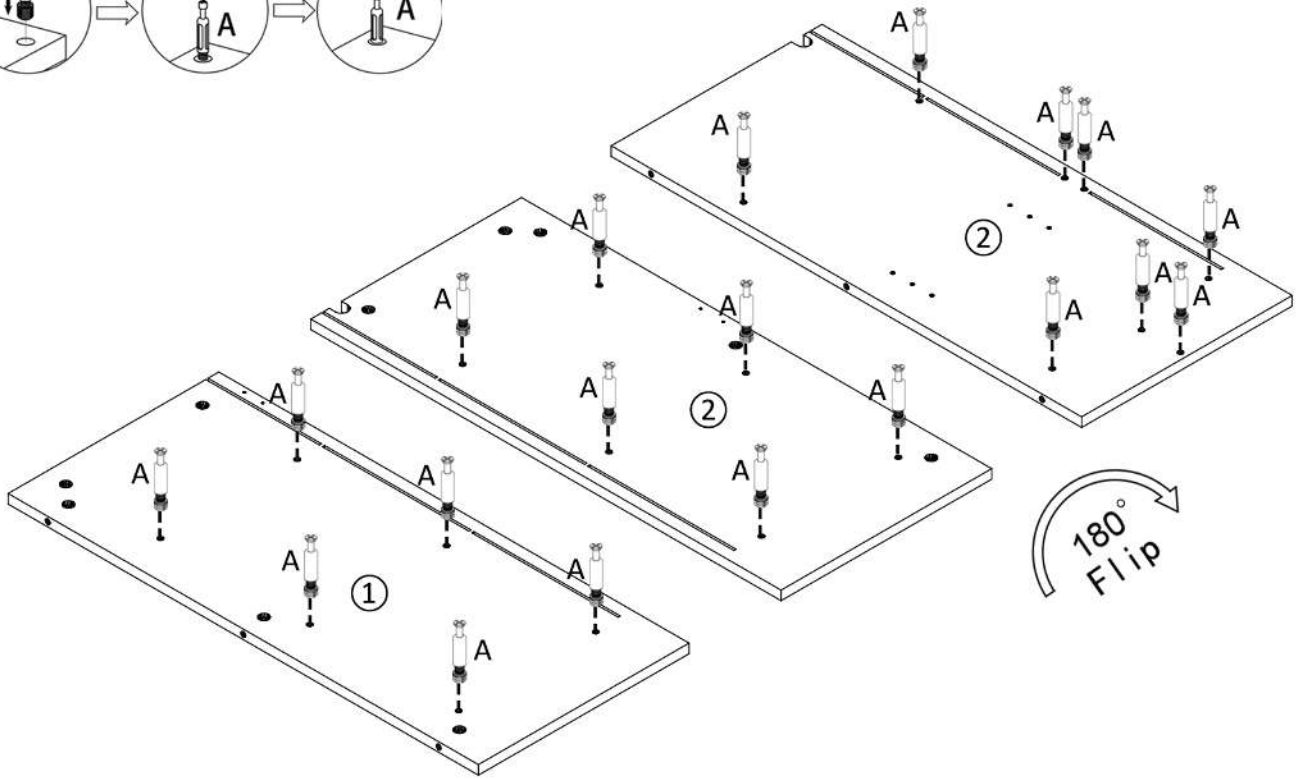
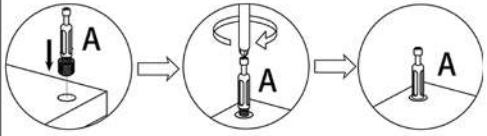


## Hardware installation demonstration

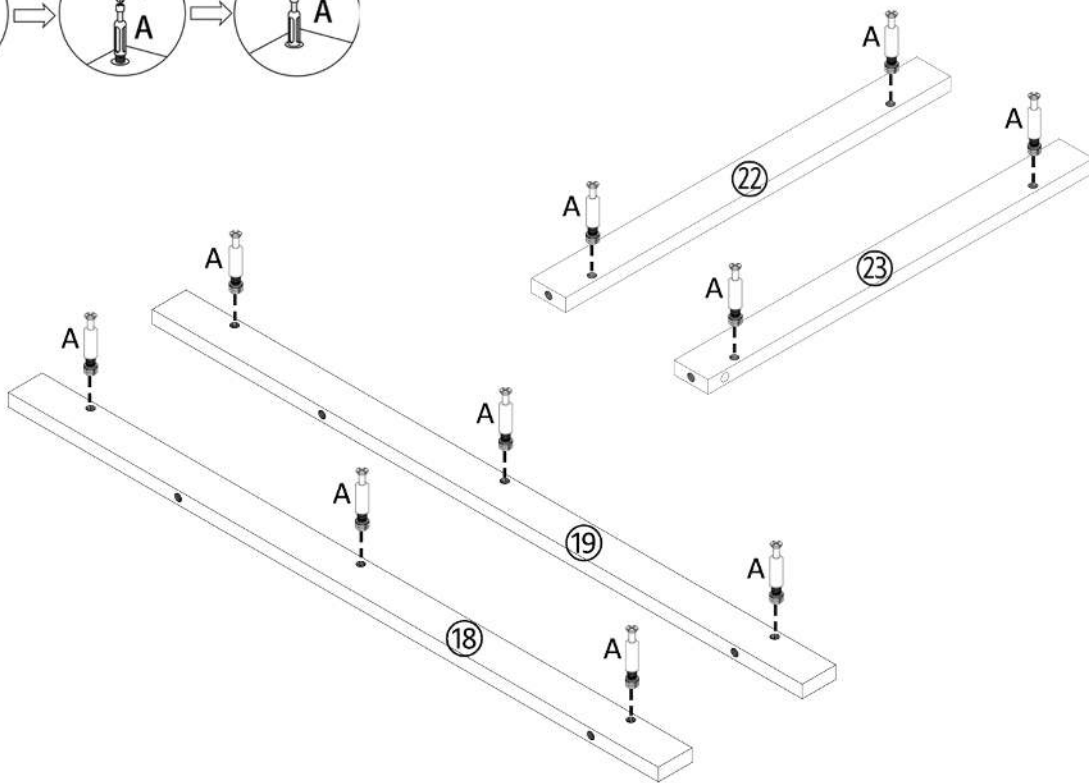
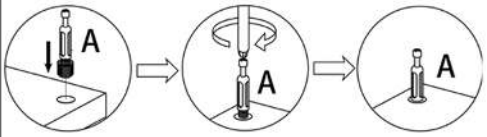
- When inserting cam ensure arrowhead on cam points toward the hole on the panel edge



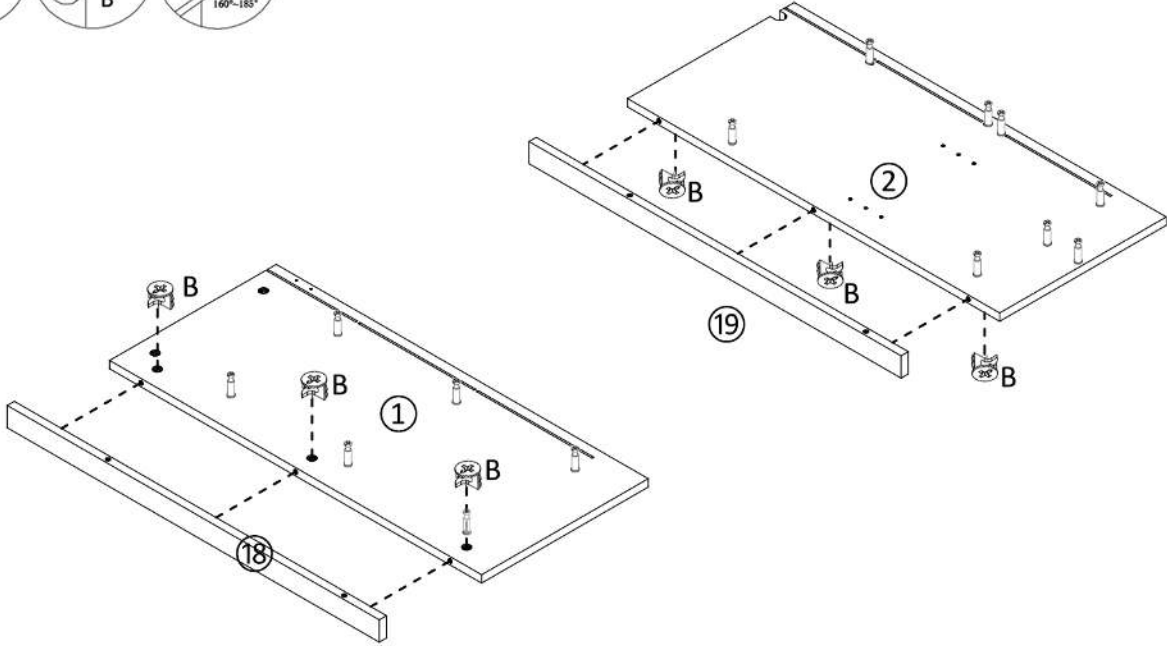
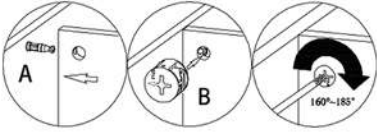
# STEP 1



# STEP 2

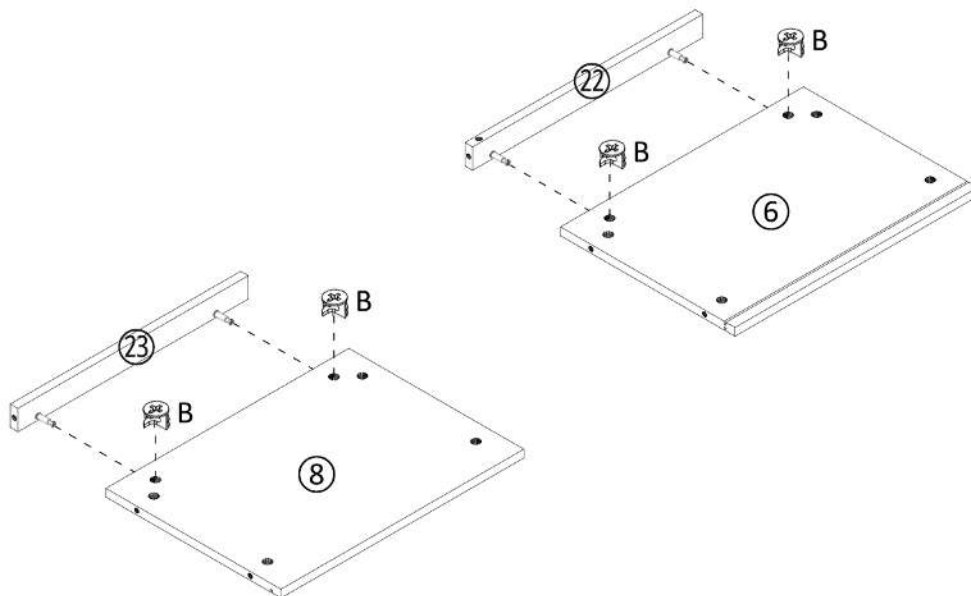
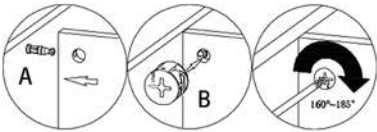



# STEP 3



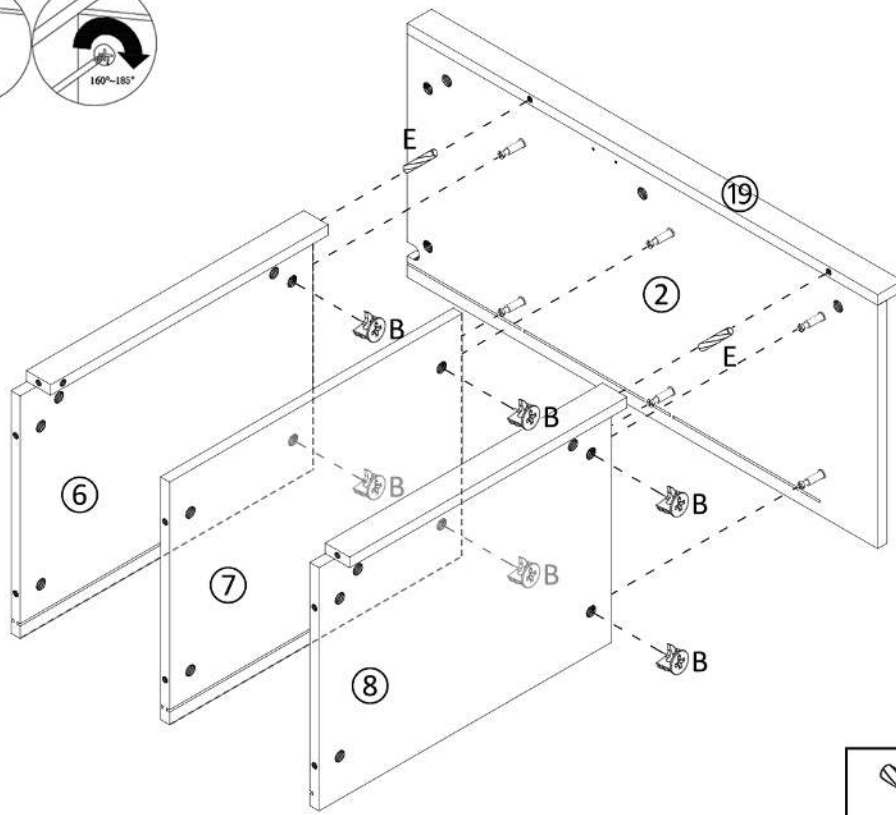
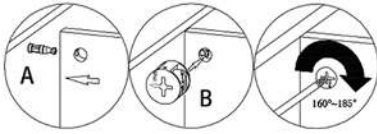
 B\*6



# STEP 4



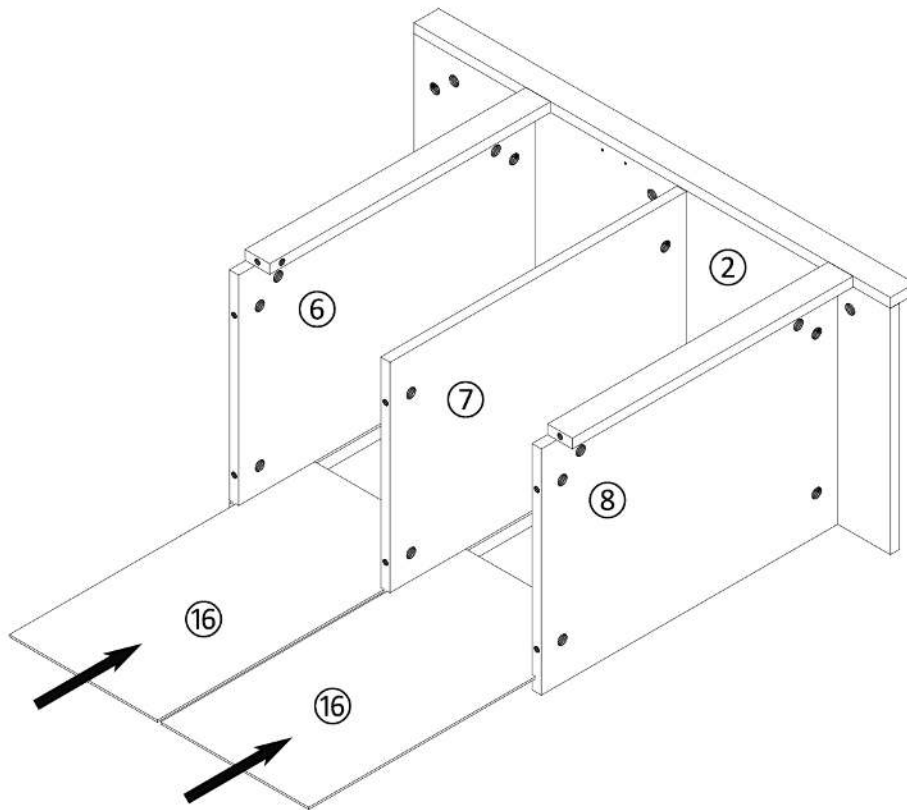
 B\*4

# STEP 5

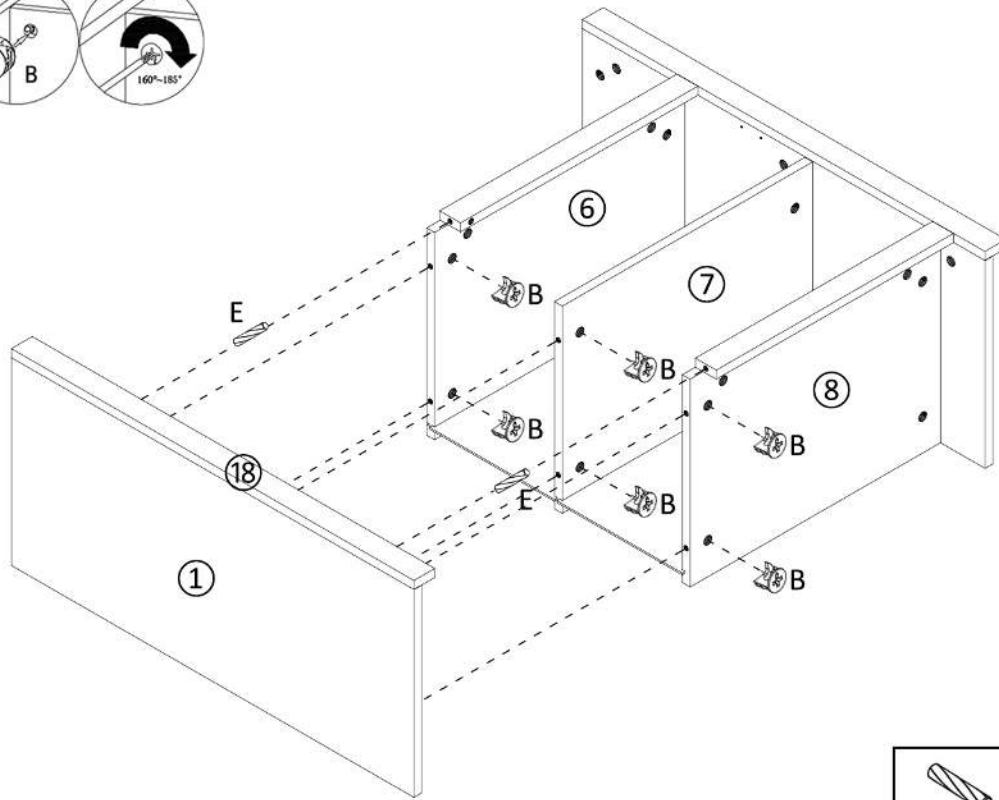
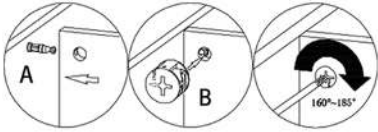




	E*2
	B*6

# STEP 6

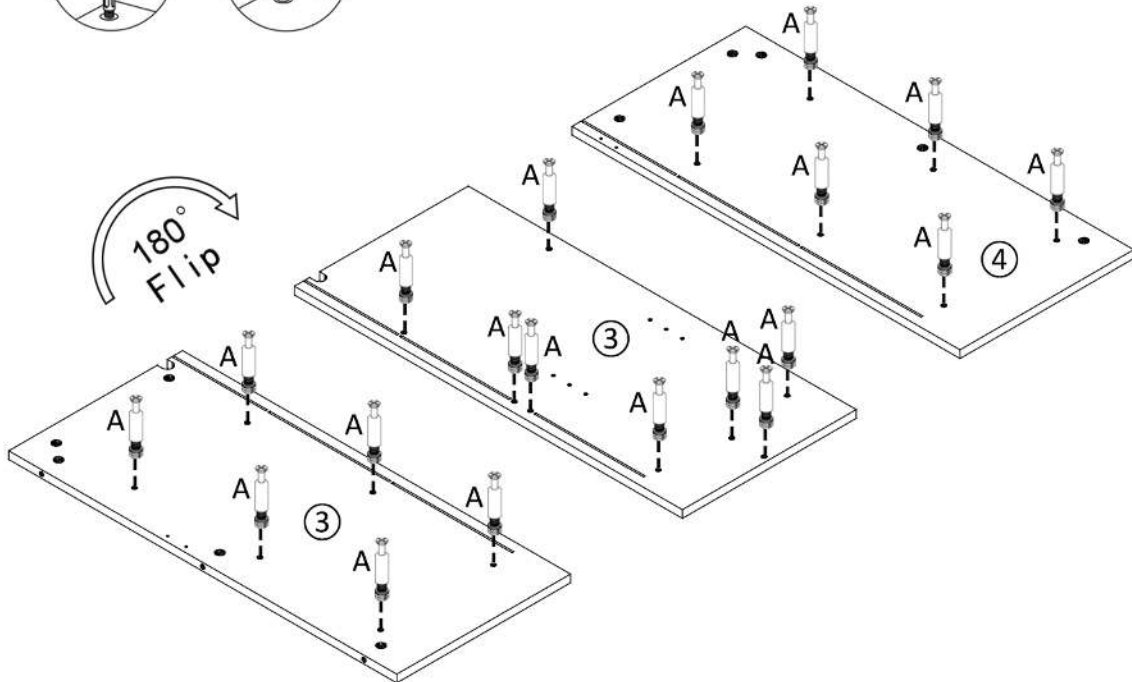
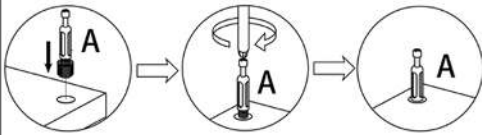


# STEP 7



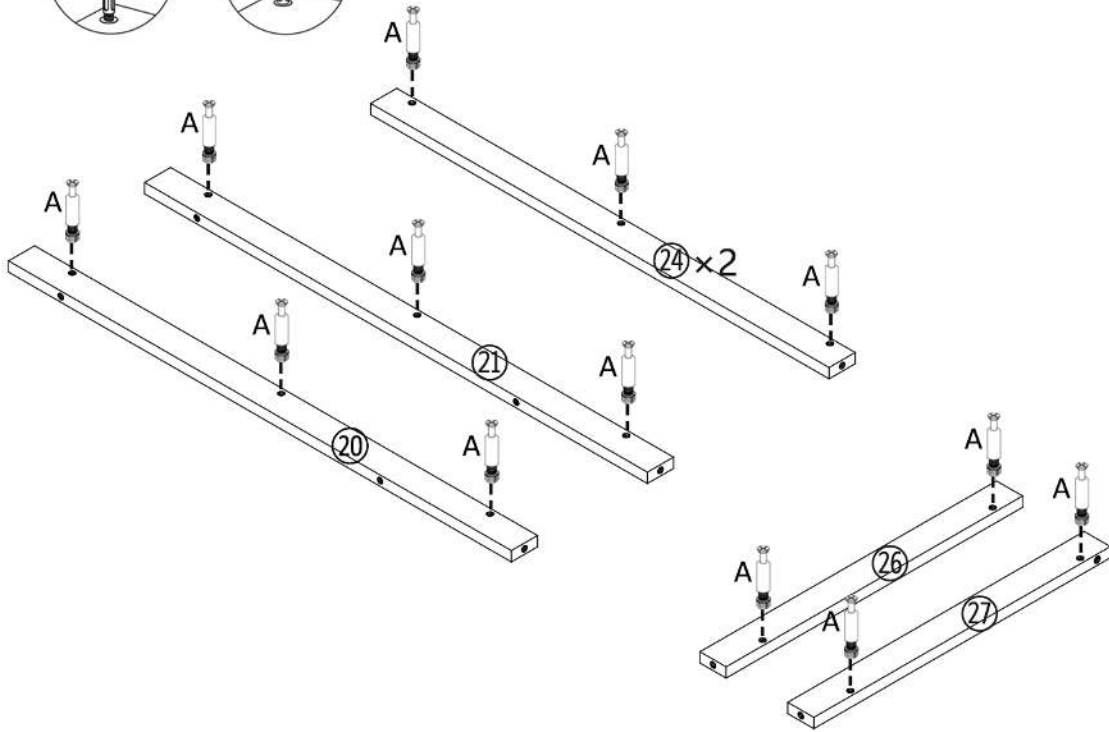
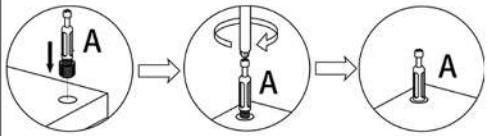
	E*2
	B*6

# STEP 8

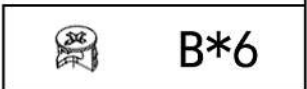
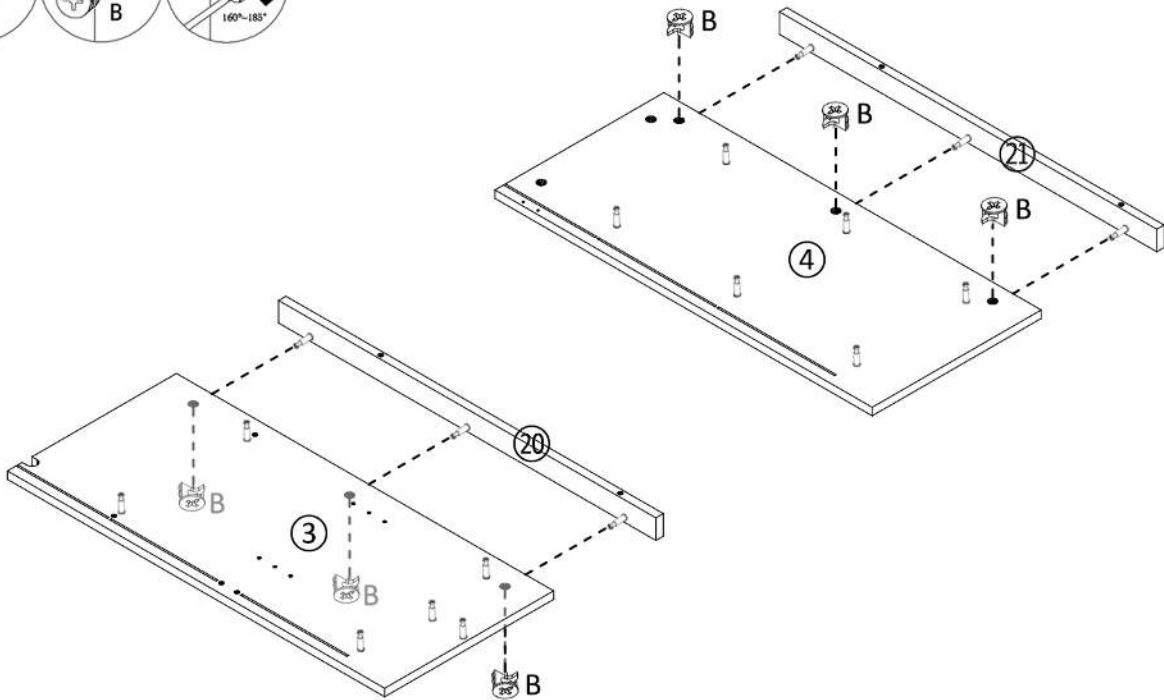
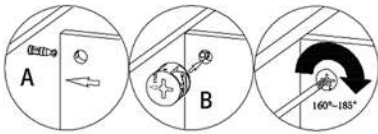


	A*20
---	------

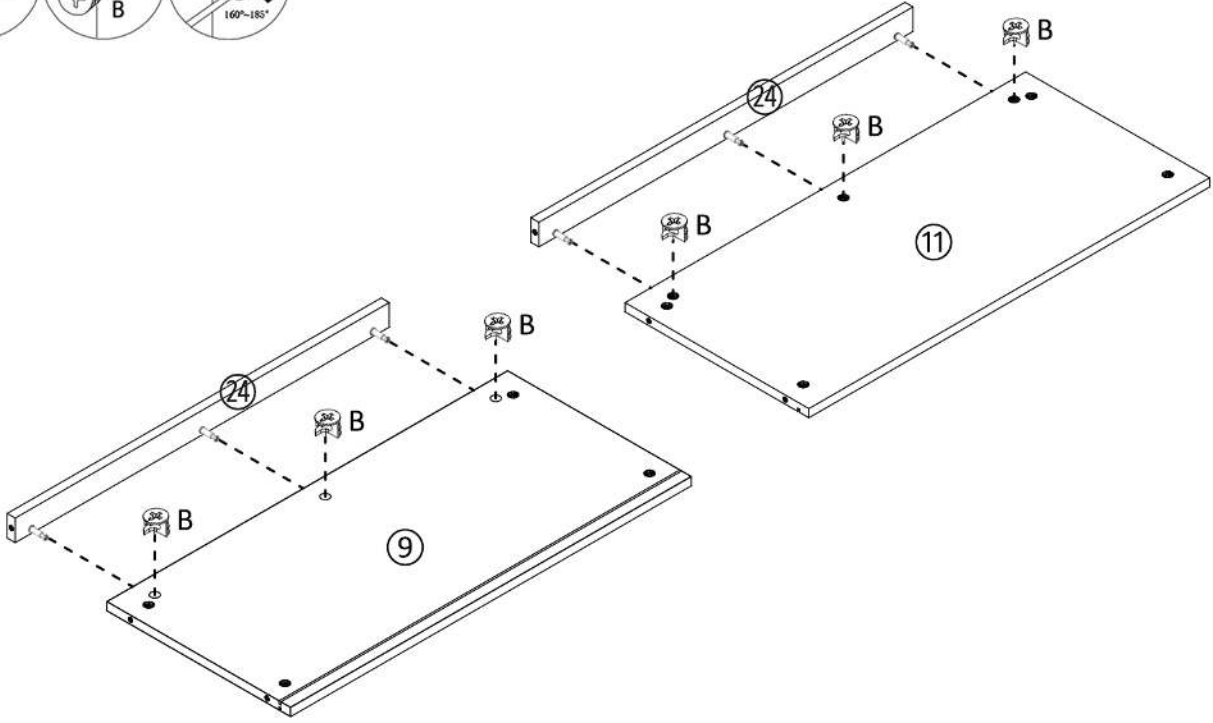
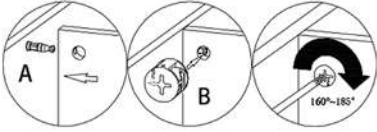
# STEP 9



# STEP 10

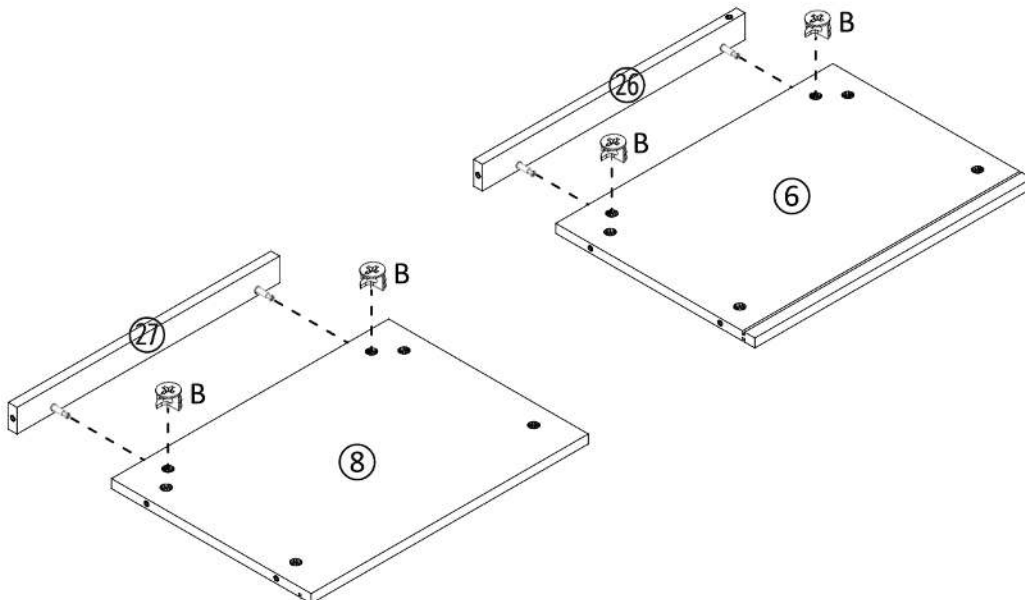
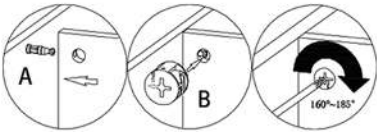


# STEP 11



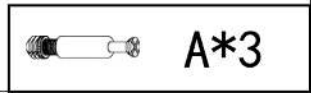
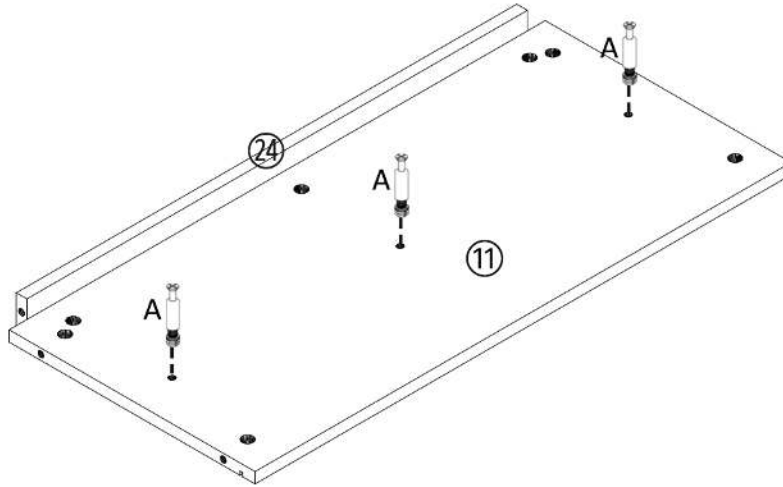
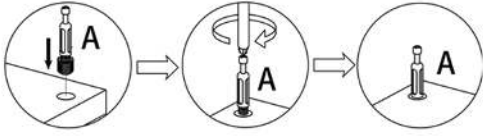
B\*6

# STEP 12

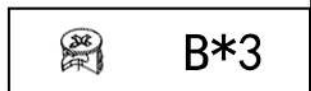
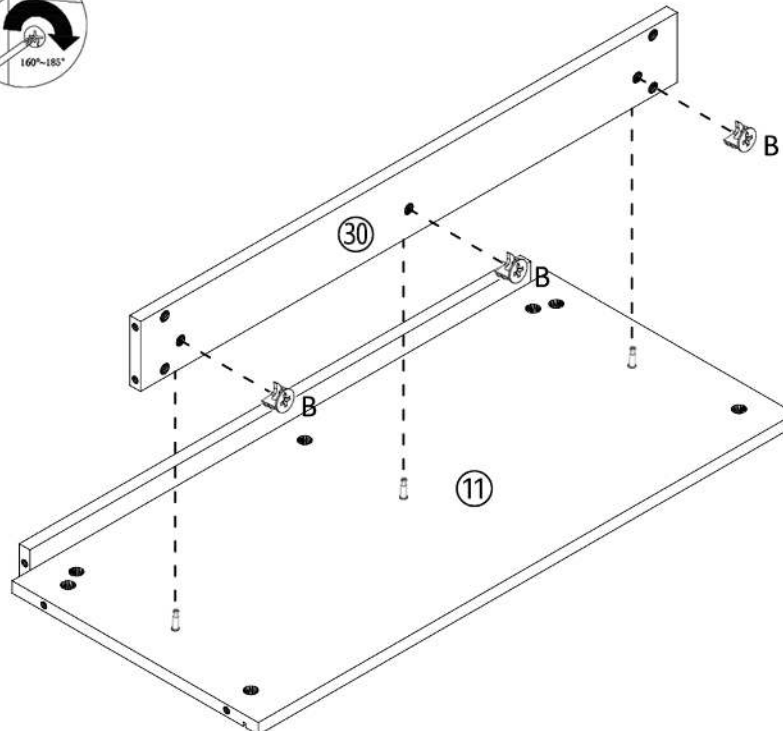
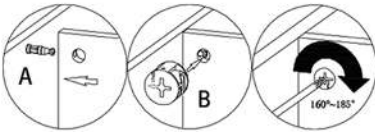


B\*4

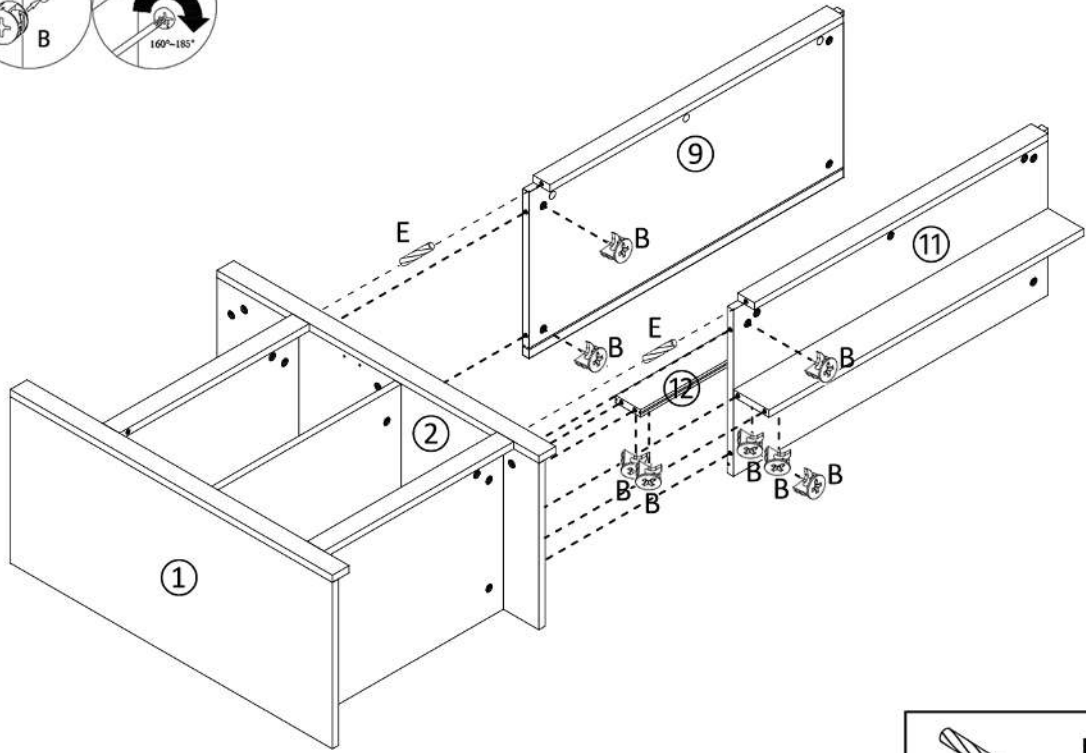
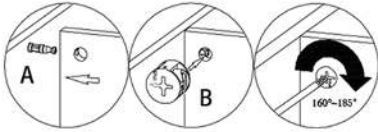
# STEP 13





# STEP 14

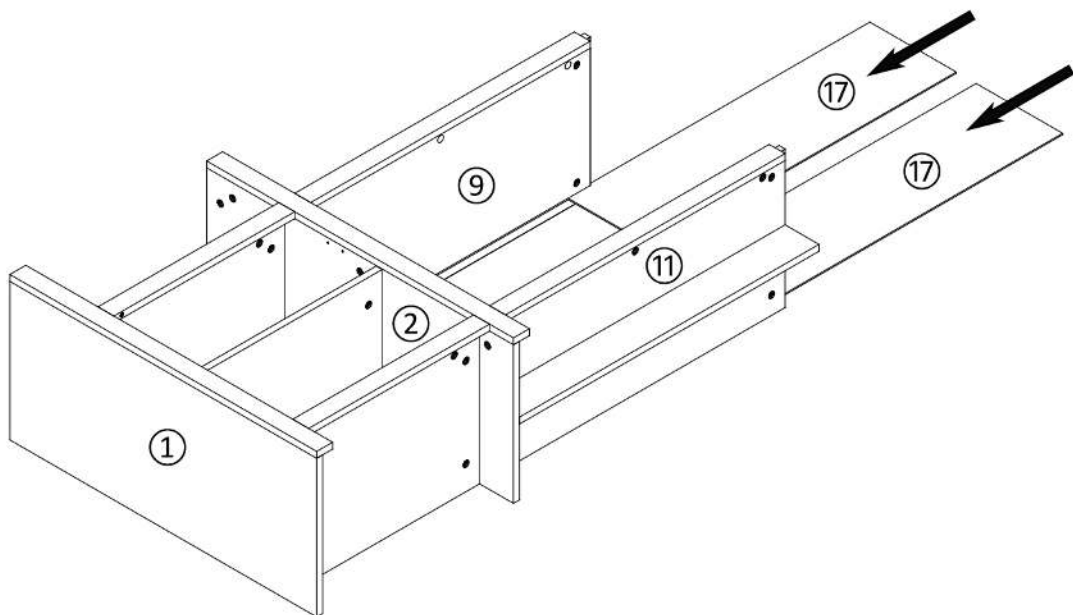


# STEP 15

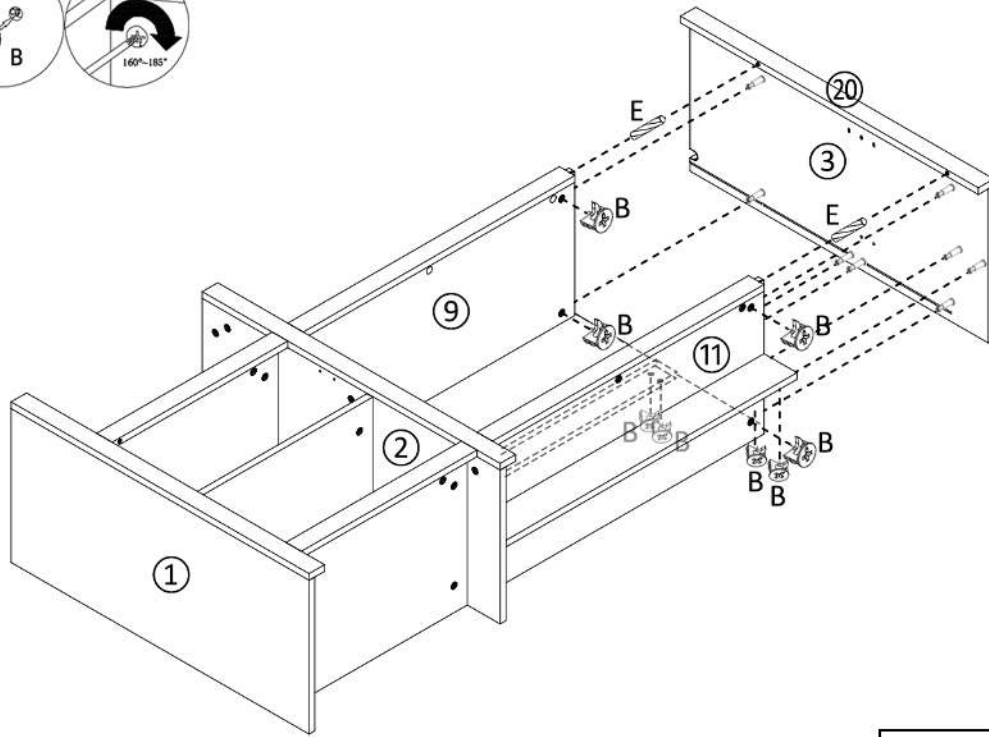
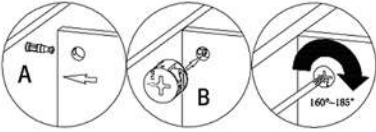




	E*2
	B*8

# STEP 16

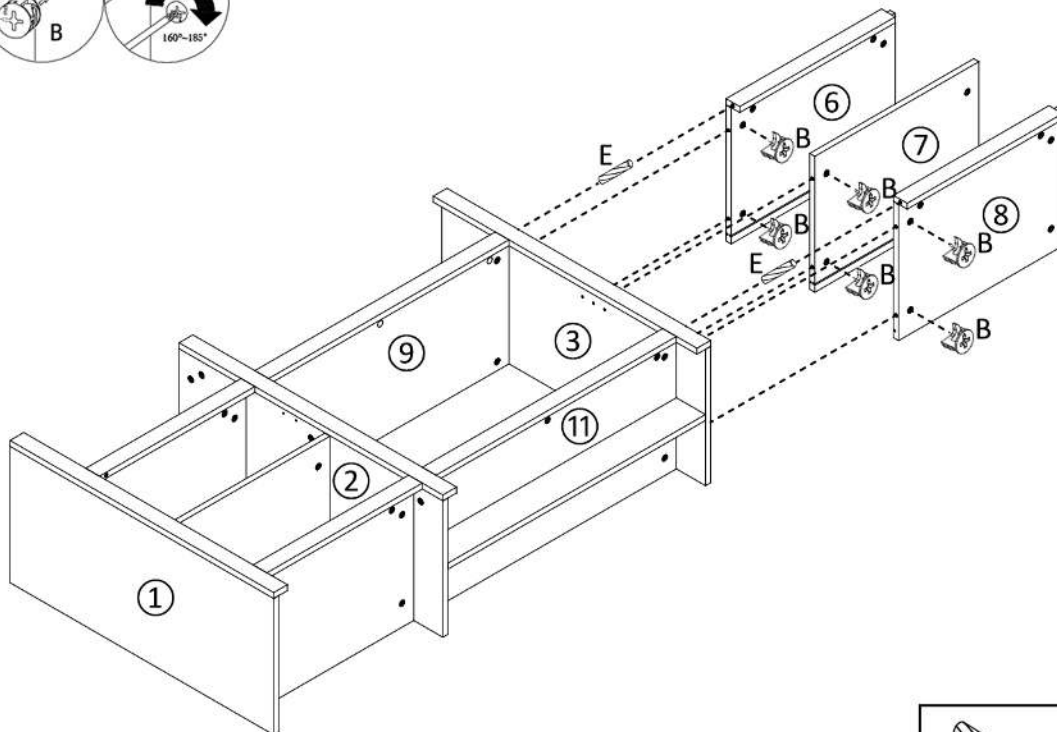
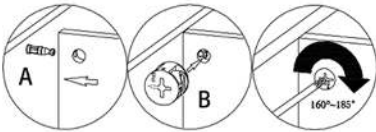




# STEP 17



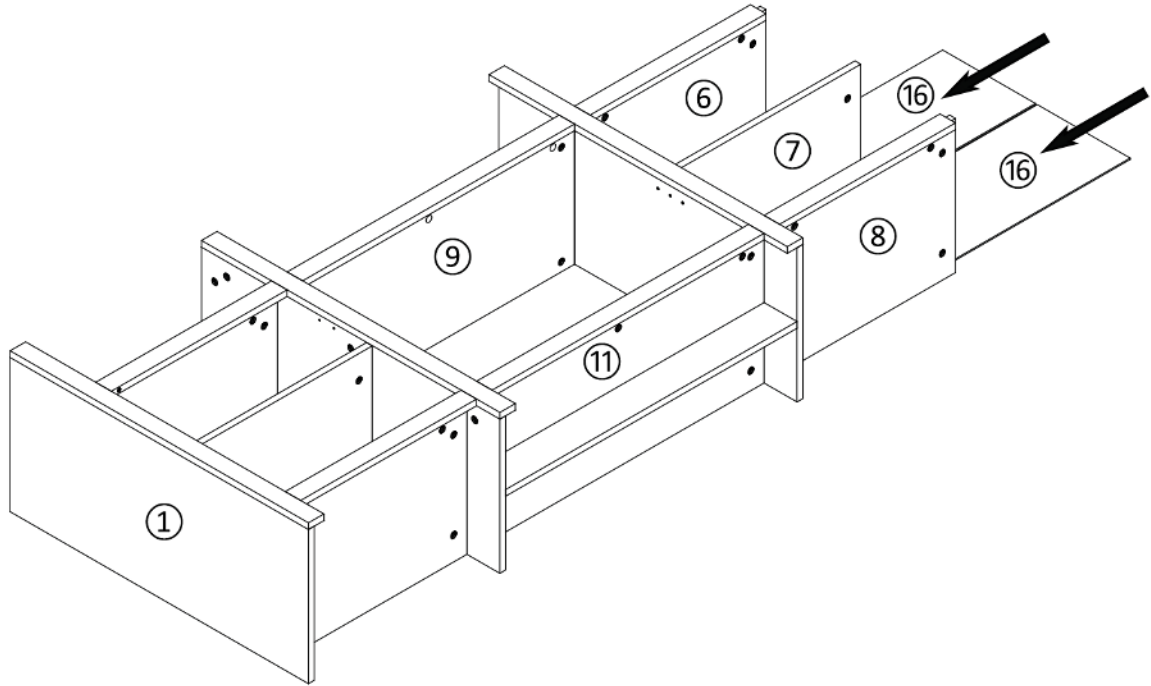
	E*2
	B*8

# STEP 18

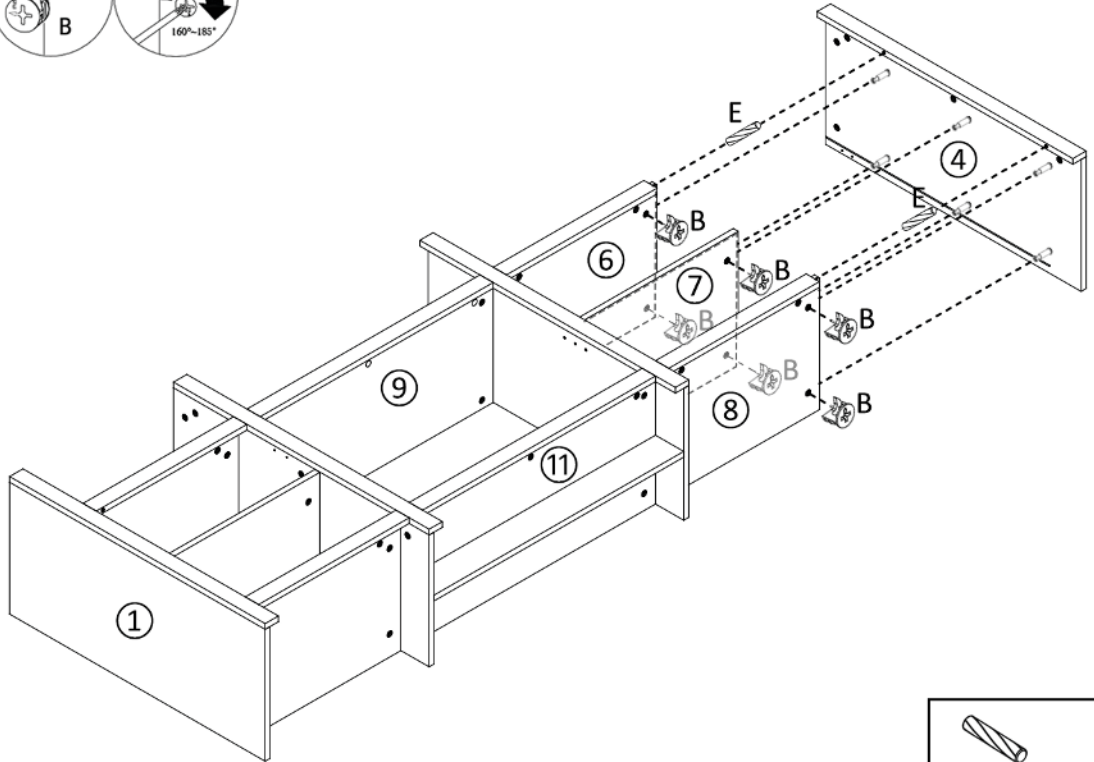
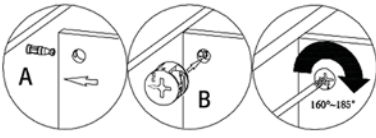




	E*2
	B*6

# STEP 19

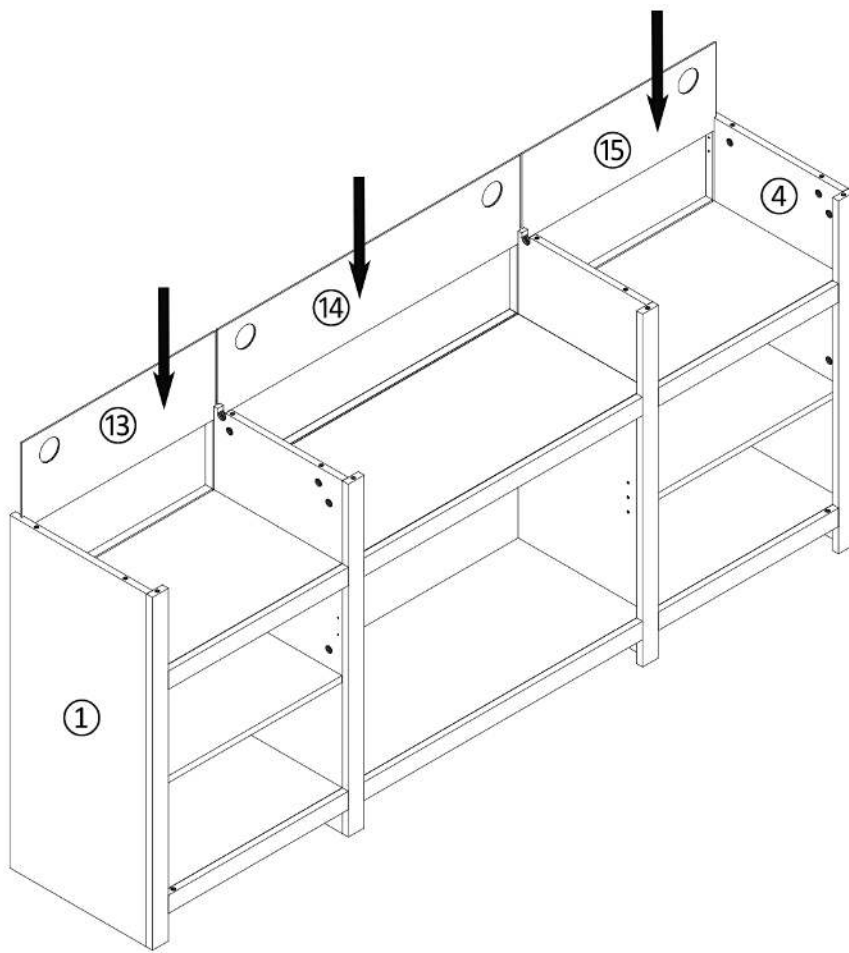


# STEP 20

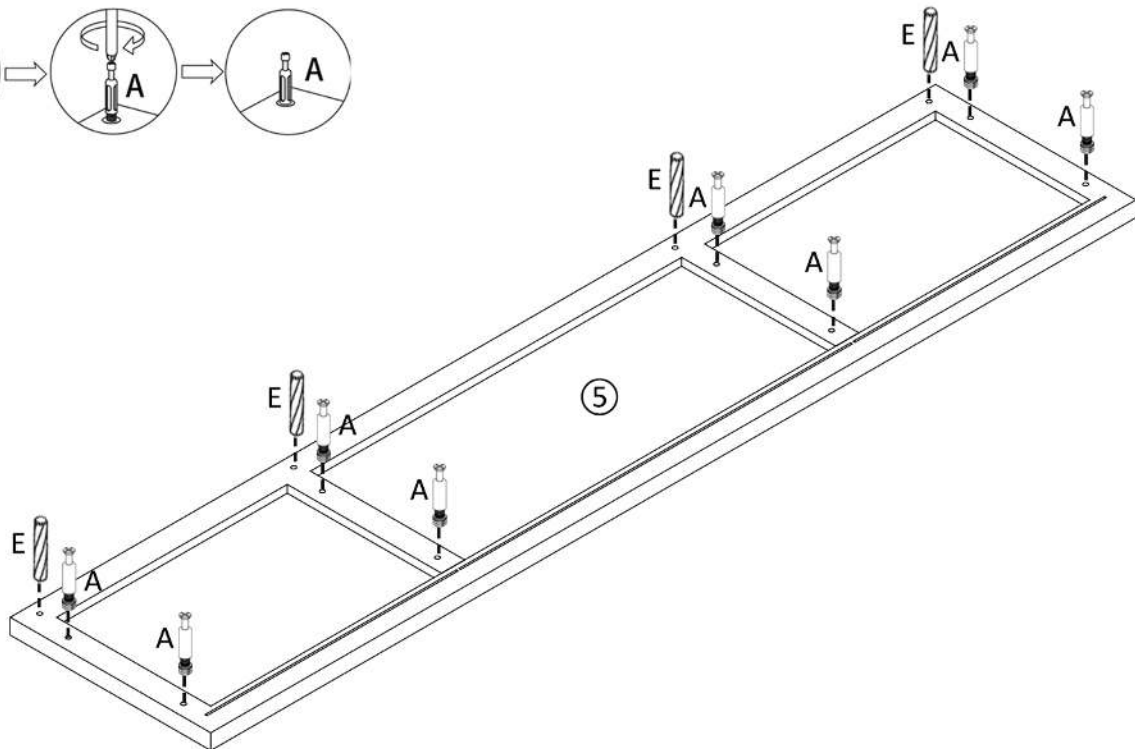
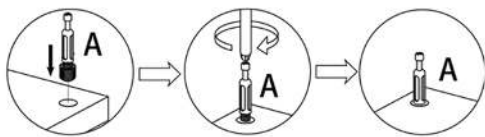


	E*2
	B*6

# STEP 21

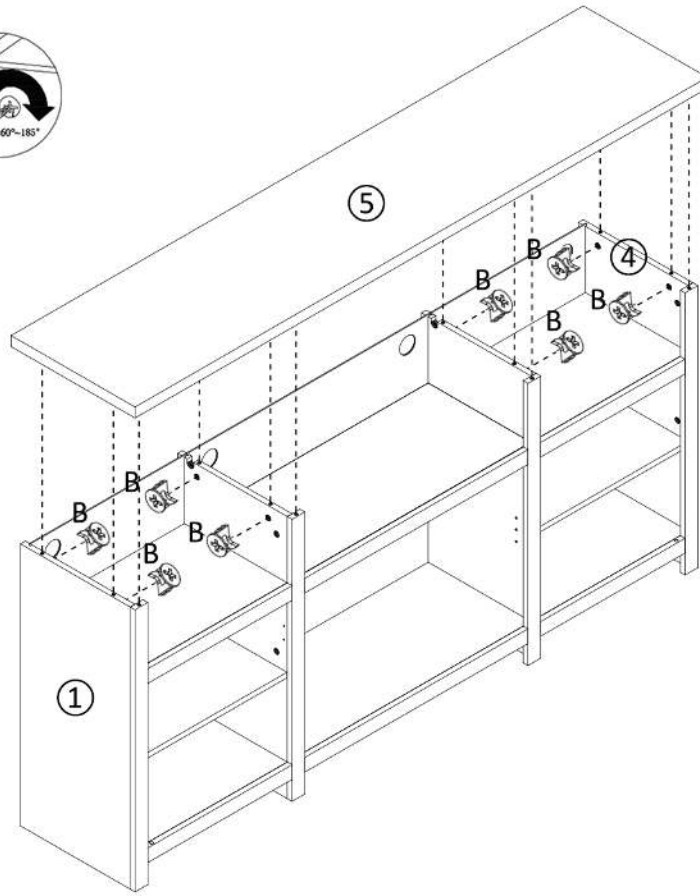
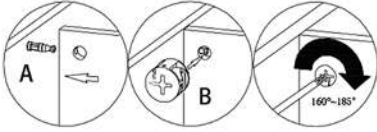


# STEP 22



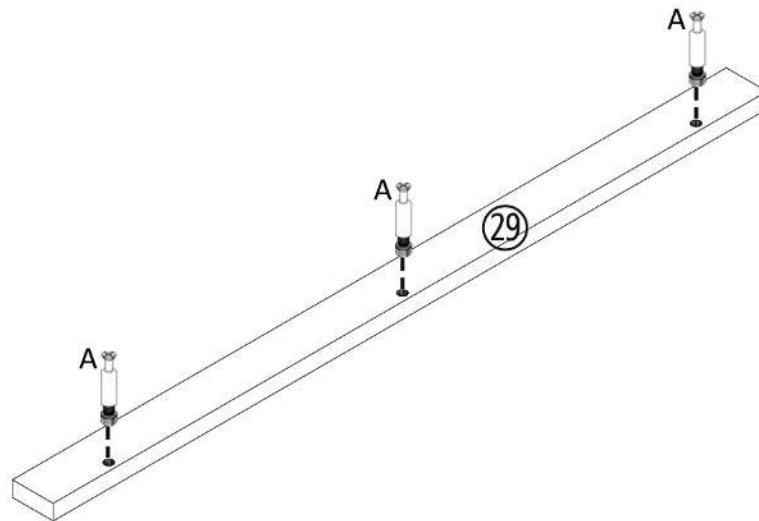
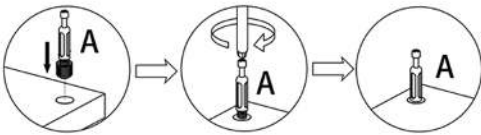
	E*4
	A*8

# STEP 23



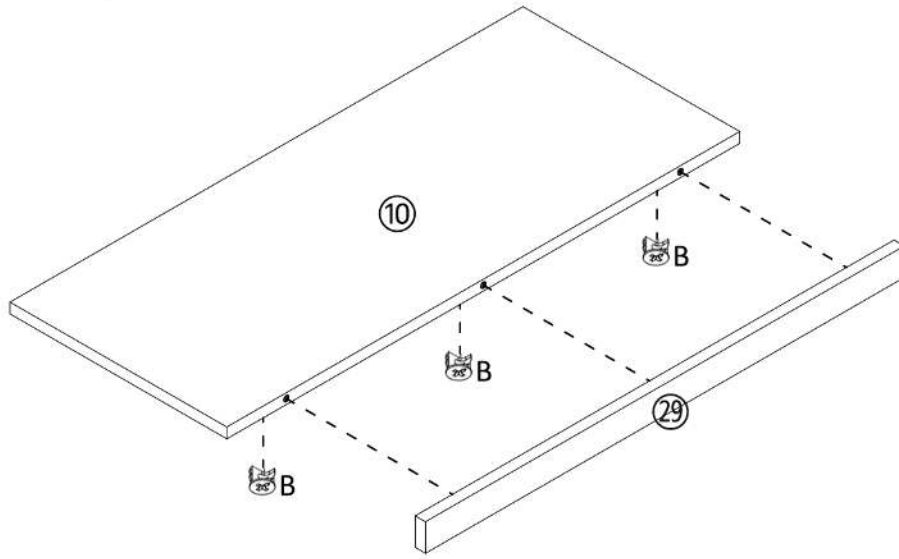
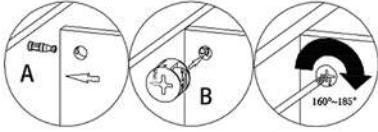
B\*8

# STEP 24



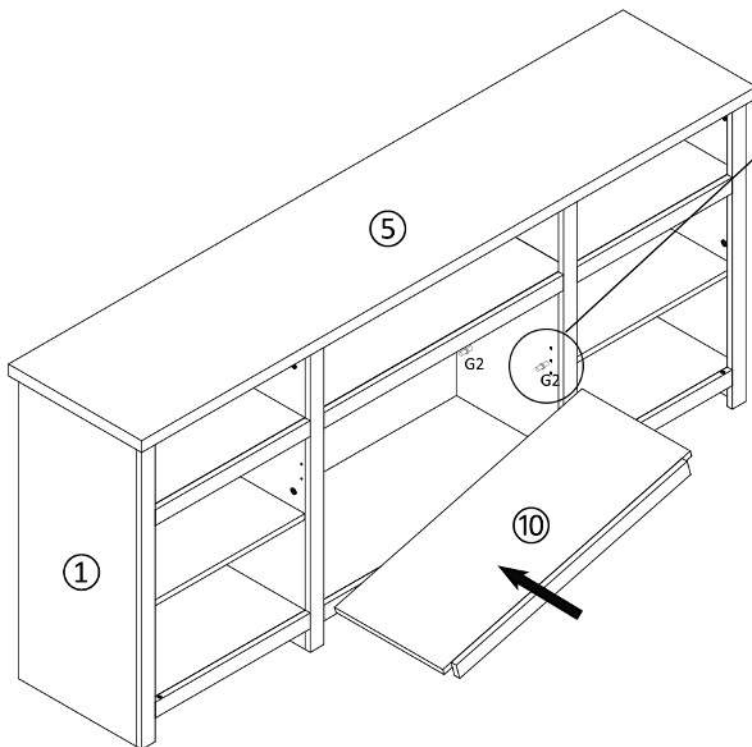
A\*3

# STEP 25



B\*3

# STEP 26



1 Place the No. 10 board obliquely



10

2



G2

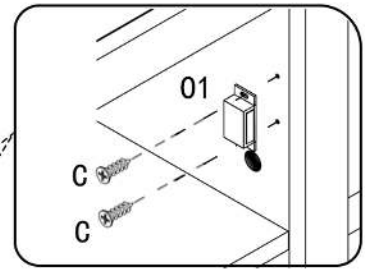
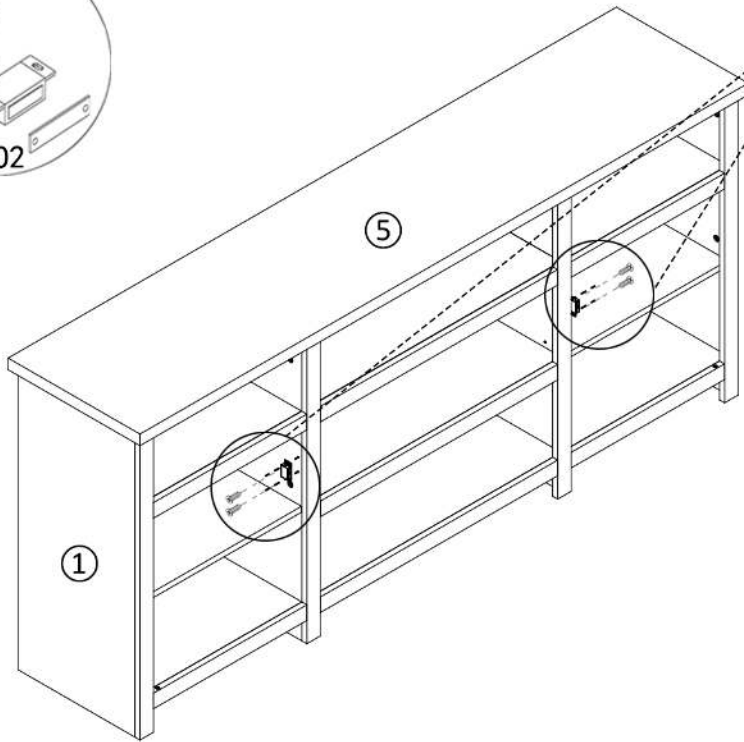
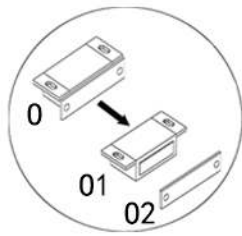


G2





G2\*4

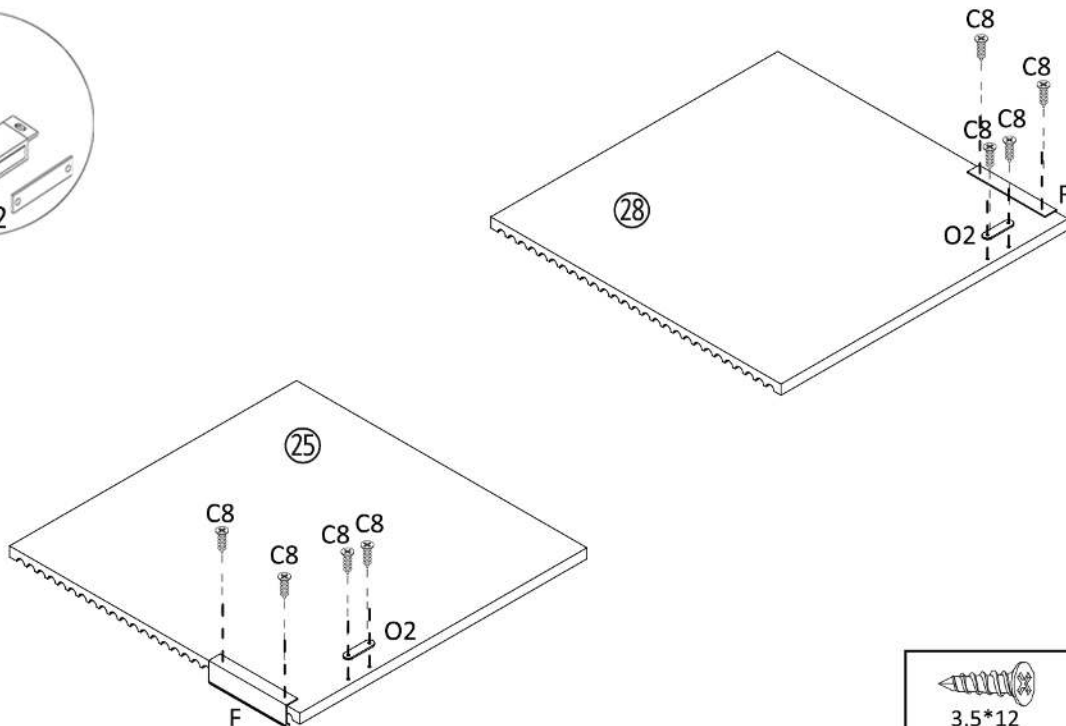
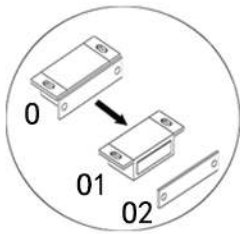
# STEP 27






⚠ Please use screws according to the specific size, do not confuse them.

 3.5*14	<b>C*4</b>
	<b>01*2</b>

# STEP 28

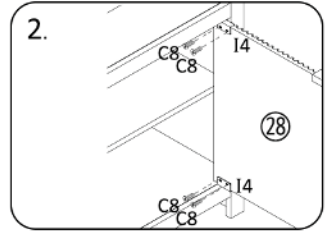
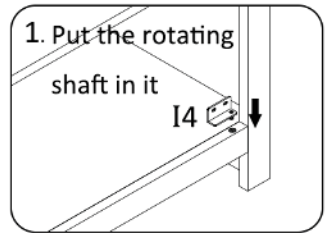
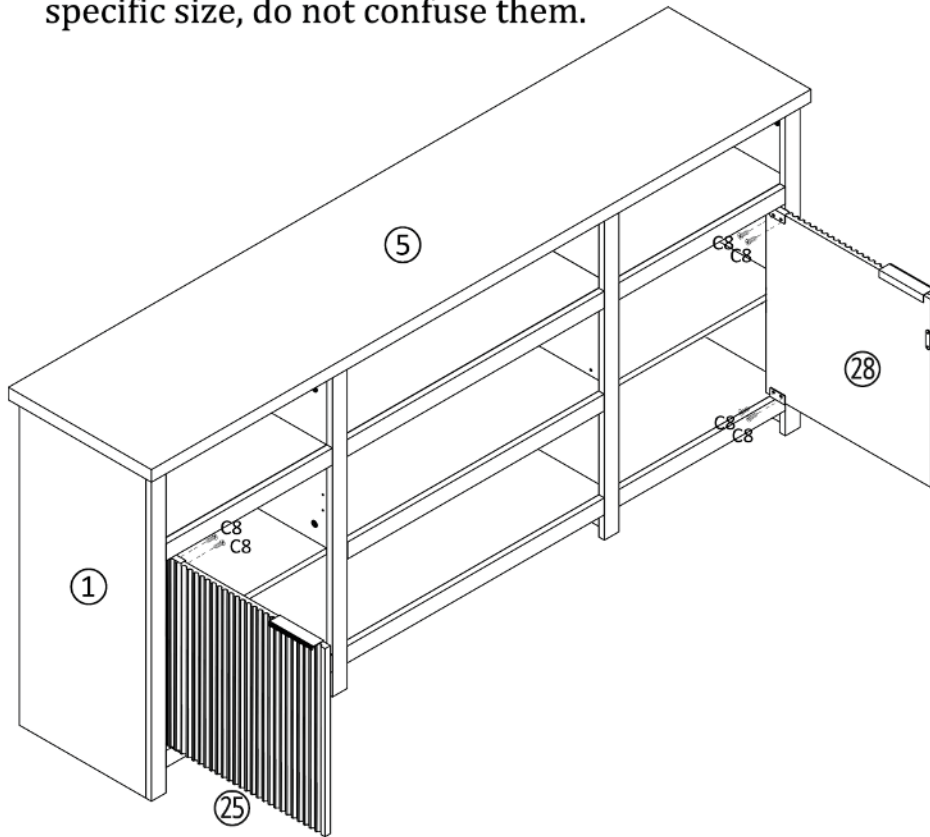


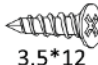

⚠ Please use screws according to the specific size, do not confuse them.

 3.5*12	<b>C8*8</b>
	<b>F*2</b>
	<b>02*2</b>

# STEP 29

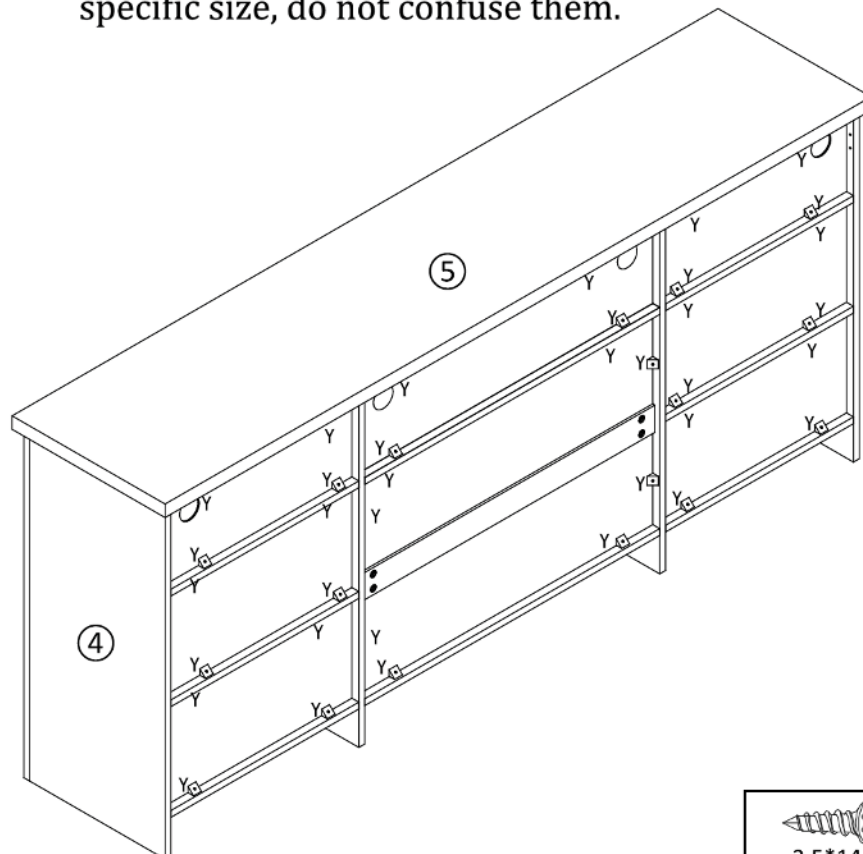
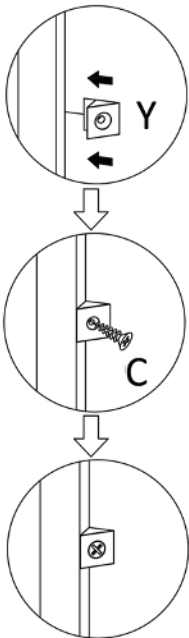
! Please use screws according to the specific size, do not confuse them.





 3.5*12	<b>C8*8</b>
	<b>I4*2</b>

# STEP 30

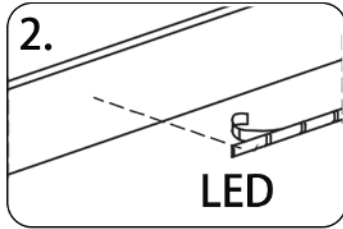
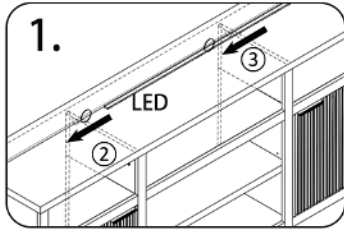
! Please use screws according to the specific size, do not confuse them.



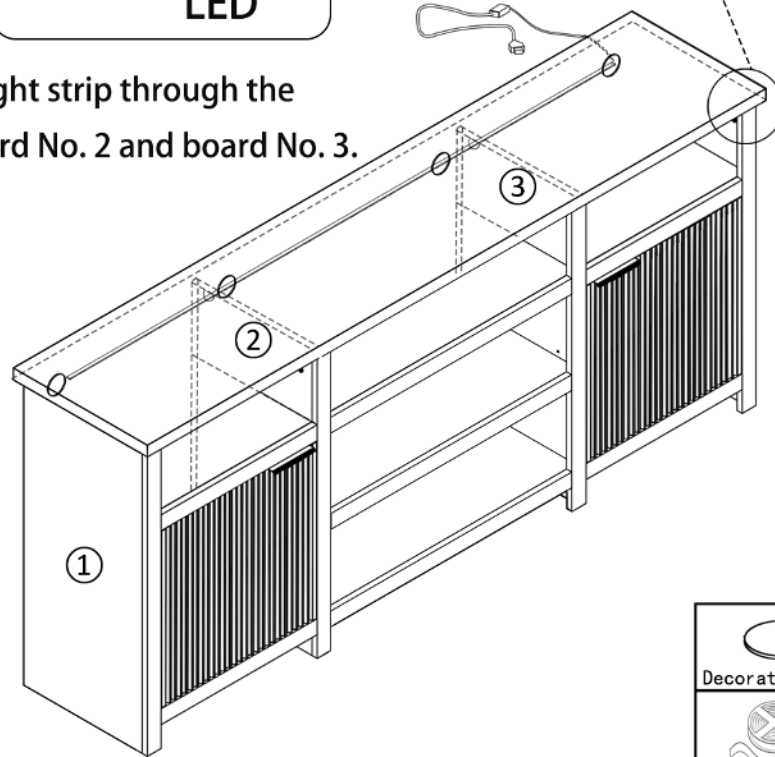
 3.5*14	<b>C*36</b>
	<b>Y*36</b>



Use tools to install if necessary

# STEP 31

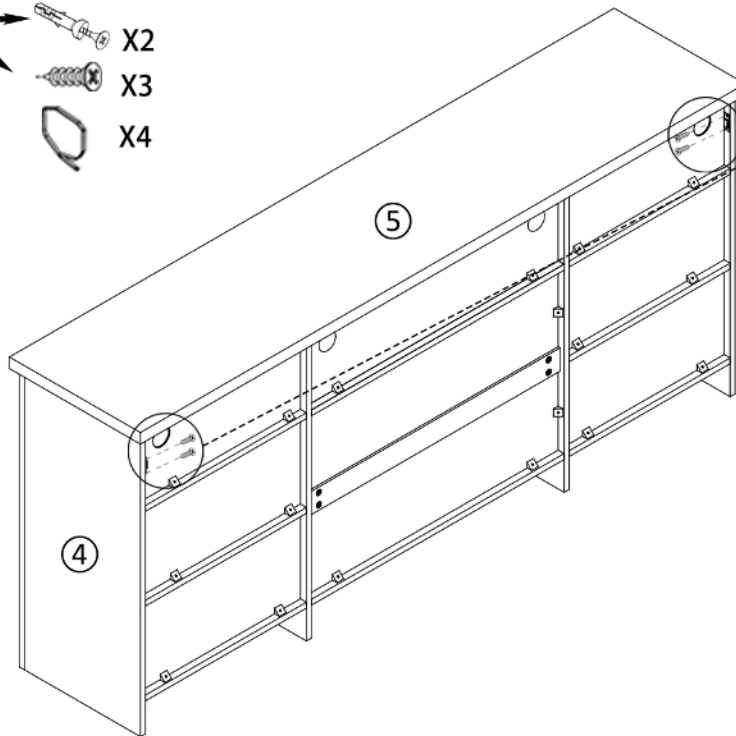
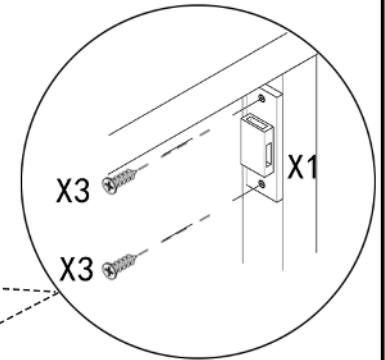
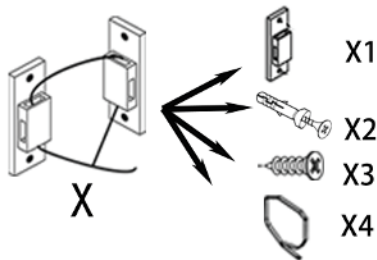




1. Please thread the LED light strip through the wire passing holes on board No. 2 and board No. 3.  
2. Stick the light strip.



-  AM\*20  
Decorative paper
-  LED\*1

# STEP 32

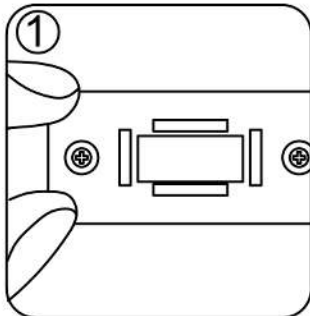
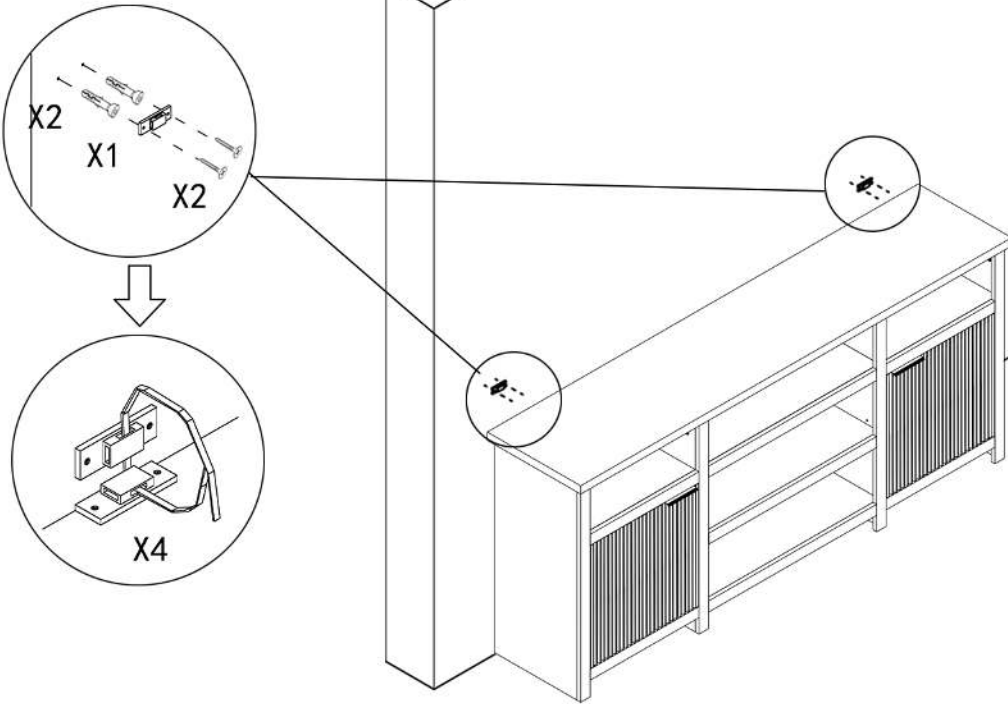


-  X3\*4
-  X1\*2

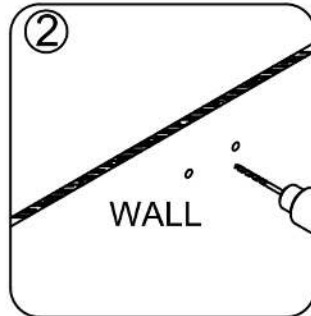
Please separate the parts in bag No.X according to the picture and mark them as X1, X2, X3, and X4.

# STEP 33

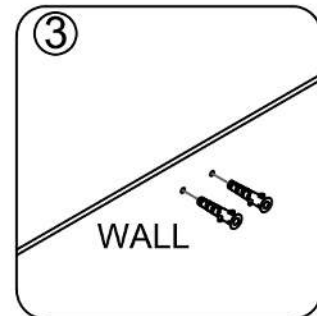
1. One side of the anti-toppling safety belt is installed on the cabinet body
2. The other side of the anti-toppling safety belt is mounted on the wall
3. The seat belt is fastened through both safety buckles and then tightened



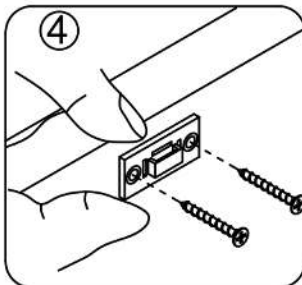
1. make mark on the wall



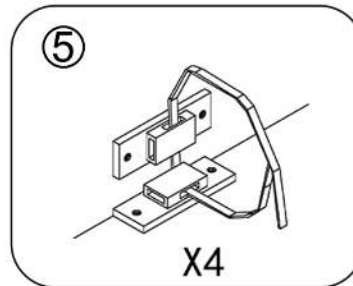
2. drill two Ø6 holes on the wall




3. put two anchors in the holes




4. fix the device (X1) on the wall by the long screws (X2)



5. Push the cabinet close to the wall so that the two bases are close to each other, and then put on belt (X4) to tighten it.

 X1\*2

 X4\*2

 X2\*4

Please separate the parts in bag No.X according to the picture and mark them as X1, X2, X3, and X4.