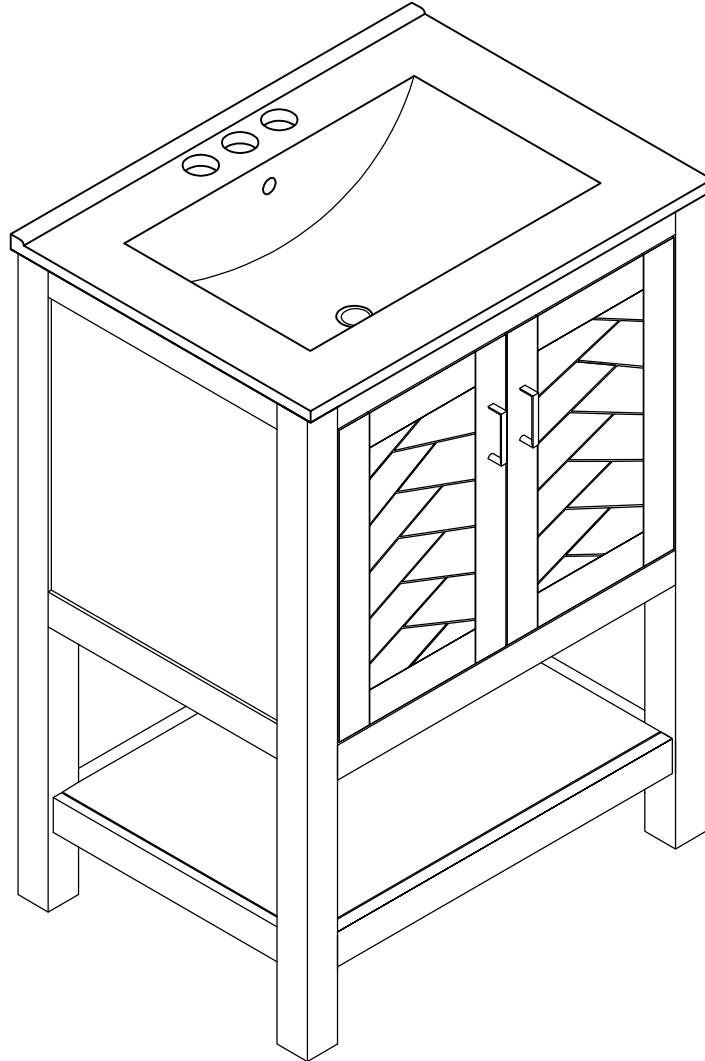


# ASSEMBLY INSTRUCTIONS


## 24INCH BATH VANITY (COMBO)

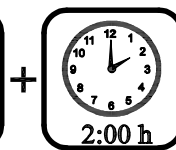
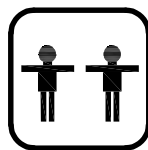
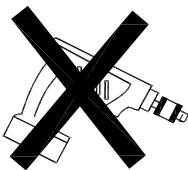


Thank you for purchasing this quality product. Be sure to check all packing material carefully for small parts which may have come loose inside the carton during shipment. Separate, identify and count all parts and hardware.

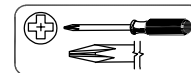
Compare with the parts list to be sure all parts are present.

**"DO NOT TIGHTEN SCREWS UNTIL COMPLETELY ASSEMBLED"**

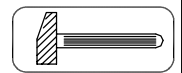
  
\* Use of power tool to assemble this product will invalidate any claim and damage this product making unsafe!!!  
\* Please assemble on a clean soft surface to avoid damage.



### Tools Required



(Not Included)



(Not Included)

**IMPORTANT:**  
**PLEASE READ INSTRUCTION BEFORE STARTING THE ASSEMBLY**

**PLEASE DO NOT RETURN TO STORE**



**Please do not return this product to the retailer!!  
We are able to assist you in ANY way**

If you find that you have any trouble with assembly or missing or damaged parts please contact the seller.

# Before Installation

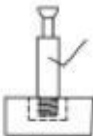
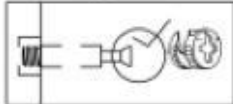
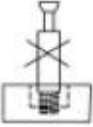
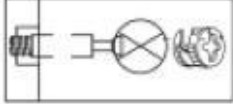
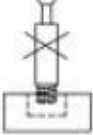

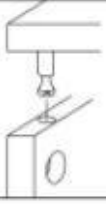
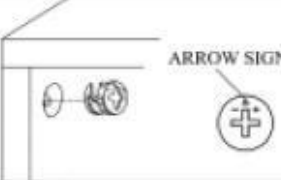
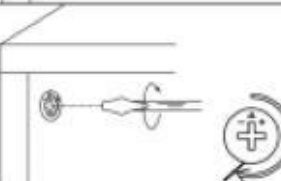
**Important - Please read these instructions fully before starting assembly**

Thank you for purchasing this quality product. Be sure to check all packing materials carefully for small parts, which may have come loose inside the carton during shipment. Identify and count all items according to the PARTS LIST and/or HARDWARE LIST shown below. Check you have all the components and tools listed on the following pages.

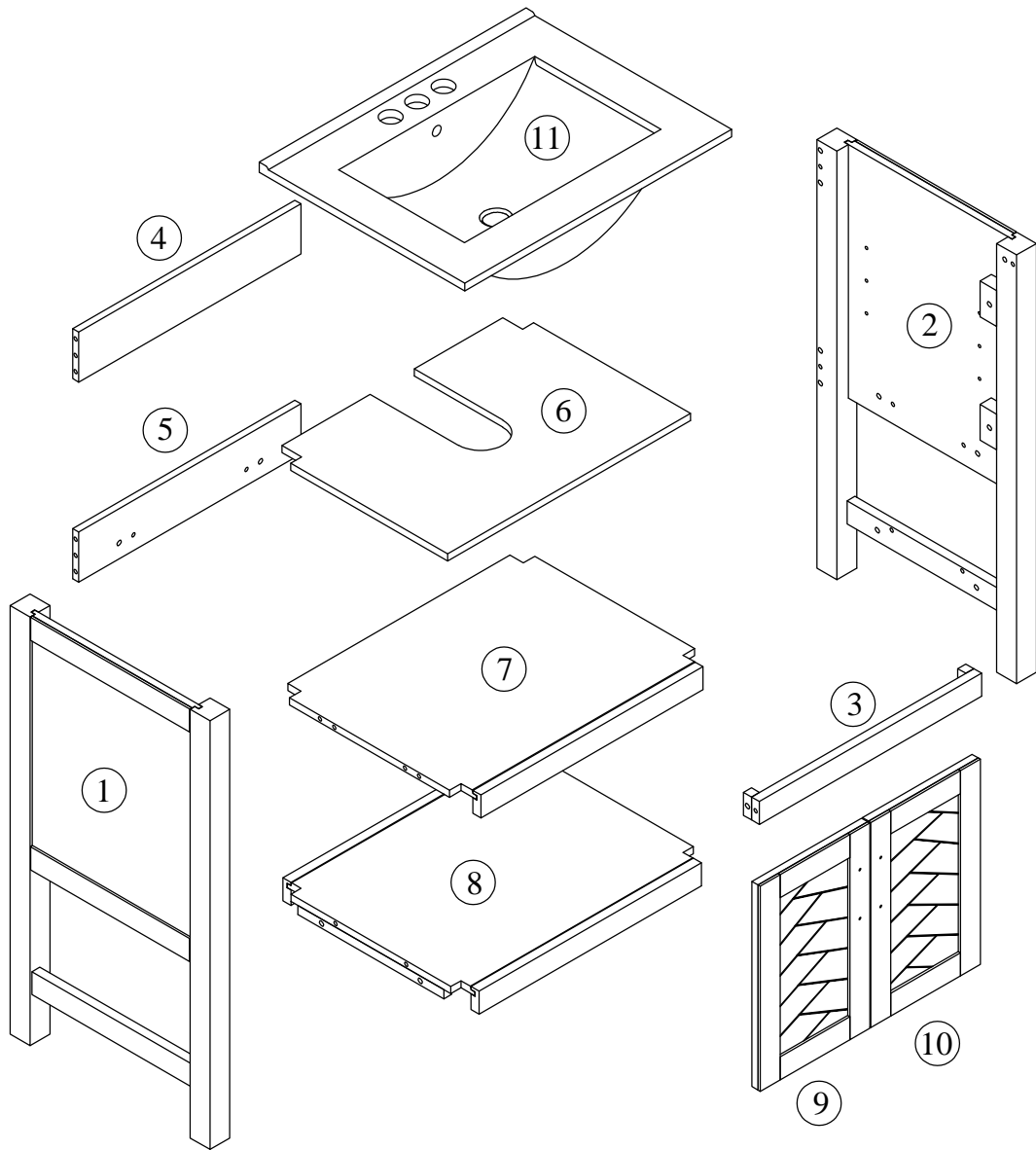
- We recommend that you assemble this product with the assistance of another person; this will make the assembly easier, and will help eliminate damage to the product or injury to persons during assembly.
- Please do not over tighten screws or bolts until the assembly is completed.
- Keep children and animal away from the work area, small parts could choke if swallowed.
- Please put all parts on a non-abrasive floor before assembly, and follow the assembly steps to assemble your newly purchased product correctly and efficiently.

**If you find that you have any trouble with assembly or missing or damaged parts please contact the seller.**

## Cam Lock Assembly Instructions

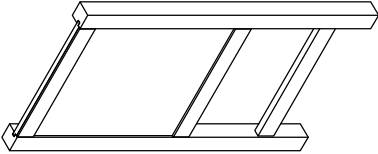
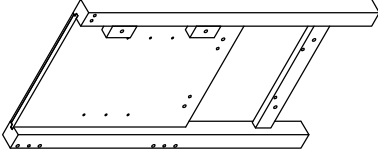
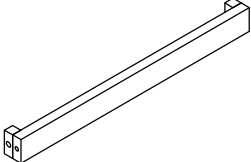
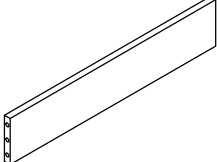
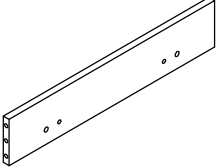
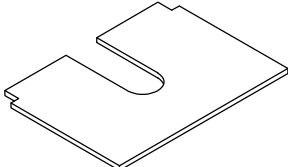
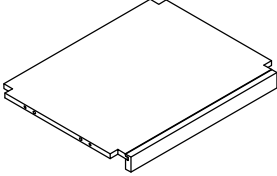
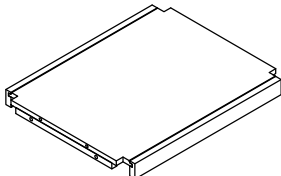
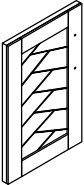
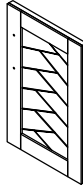
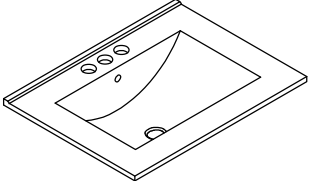
		Diagram A Insert Cam Bolt into hole as shown in diagram A.
		Diagram B Make sure not to insert the Cam Bolt: Too deep as shown in figure B as this will cause the Cam Lock to be misaligned and unable to interlock properly.
		Diagram C Also avoid inserting the Cam Bolt too close to the surface of the hole as shown in figure C, as this will cause the Cam Lock to be too loose, and not interlock properly.
		Connect the panels together.
		ARROW SIGN Insert the Cam Lock so the side opening fits over the head of the Cam Bolt.
		To tighten the Cam Lock, turn it clockwise on half a turn with a flat screwdriver. <i>*Do not use an automatic screwdriver as it may bend or break if too much power is imposed.</i>

# Detail View - CABINET

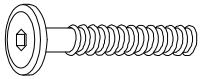
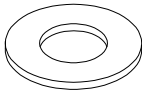

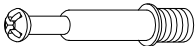

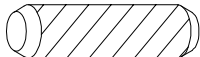
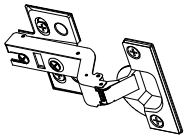


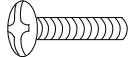
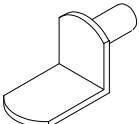
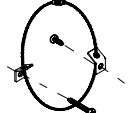


**Identifying the Hardware**-Identify the hardware using the illustrations below.

# Part List - N710P446535

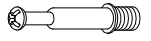
<p>1</p>  <p>Left Frame - 1pc</p>	<p>2</p>  <p>Right Frame - 1pc</p>
<p>3</p>  <p>Front Bar - 1pc</p>	<p>4</p>  <p>Top Panel Rear - 1pc</p>
<p>5</p>  <p>Bottom Panel Rear - 1pc</p>	<p>6</p>  <p>Adjustable Shelf - 1pc</p>
<p>7</p>  <p>Middle Panel - 1pc</p>	<p>8</p>  <p>Bottom Panel - 1pc</p>
<p>9</p>  <p>Door (L) - 1pc</p>	<p>10</p>  <p>Door (R) - 1pc</p>
<p>11</p>  <p>Sink - 1pc</p>	

# Hardware List - N710P446535

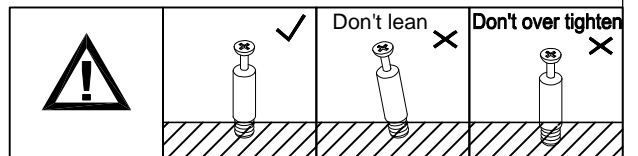
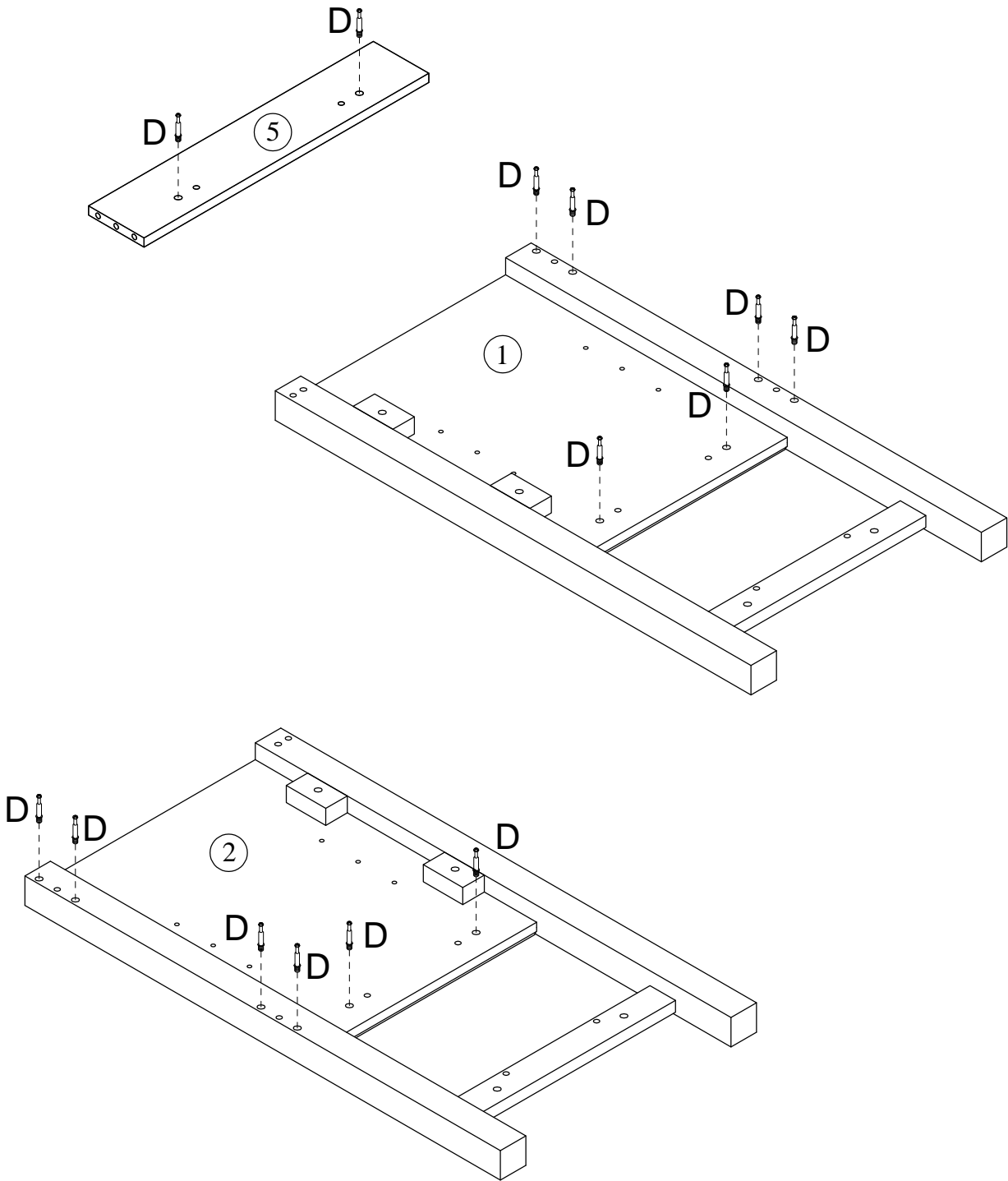
<p><b>A</b></p>  <p>Ø1/4x28mm</p>	<p><b>B</b></p>  <p>Ø1/4"*16*1mm</p>	<p><b>C</b></p>  <p>4mm</p>
<p>Hex-Head bolts (6pcs)</p>	<p>Washer (6pcs)</p>	<p>Allen key(1pc)</p>
<p><b>D</b></p>  <p>Ø6x35mm</p>	<p><b>E</b></p>  <p>Ø14.5x12mm</p>	<p><b>F</b></p>  <p>Ø8x30mm</p>
<p>Three in one bolts(14pcs)</p>	<p>Three in one lock(14pcs)</p>	<p>Wood dowel(16pcs)</p>
<p><b>G</b></p> 	<p><b>H</b></p>  <p>Ø7xØ3.5x12mm</p>	<p><b>I</b></p> 
<p>Damping hinge (4pcs)</p>	<p>Flat head screw(24pcs)</p>	<p>Handle(2pcs)</p>
<p><b>J</b></p>  <p>Ø5/32"x25mm</p>	<p><b>K</b></p> 	<p><b>L</b></p> 
<p>Handle screw(4pcs)</p>	<p>Laminate pad(4pcs)</p>	<p>Anti fall hardware (2sets)</p>

**STEP: 1**

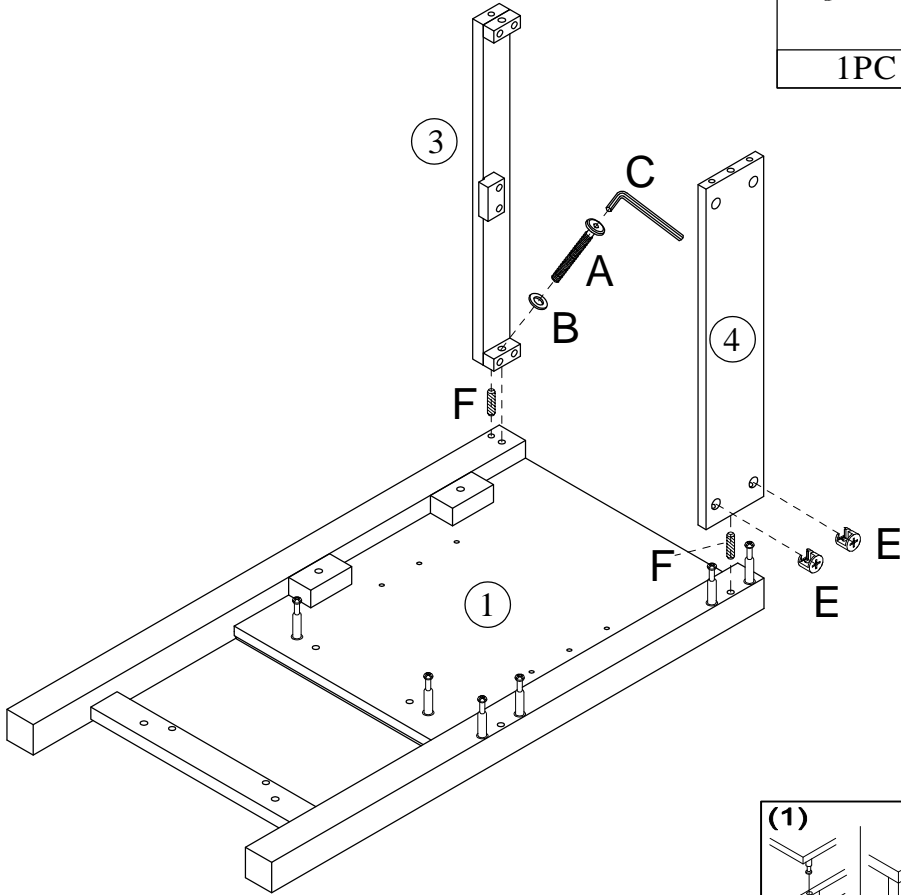
D

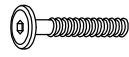
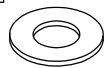
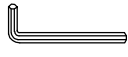

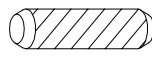


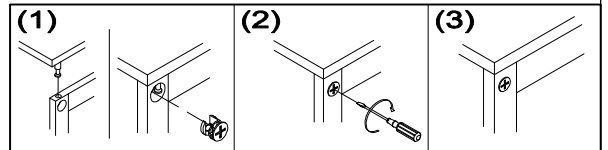
14PCS



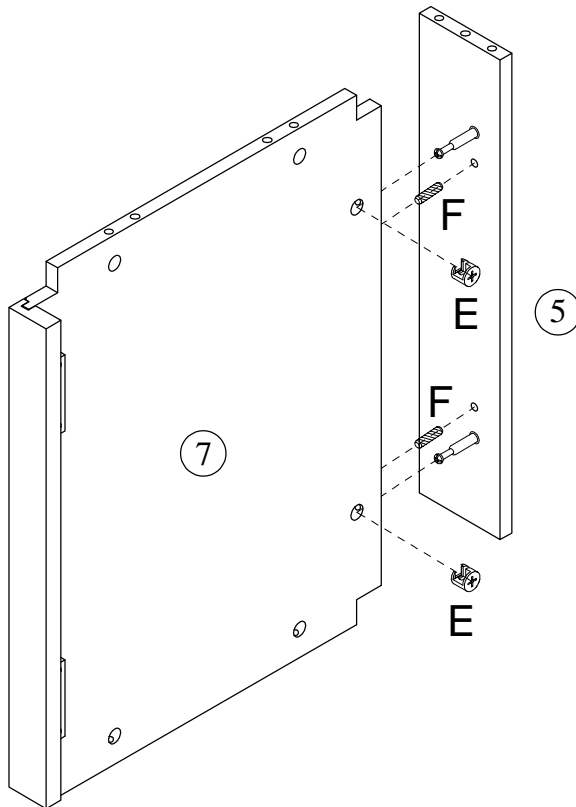
# STEP: 2


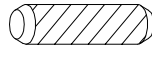


<b>A</b> 	<b>B</b> 	<b>C</b> 
1PC	1PC	1PC
<b>E</b> 	<b>F</b> 	
2PCS	2PCS	

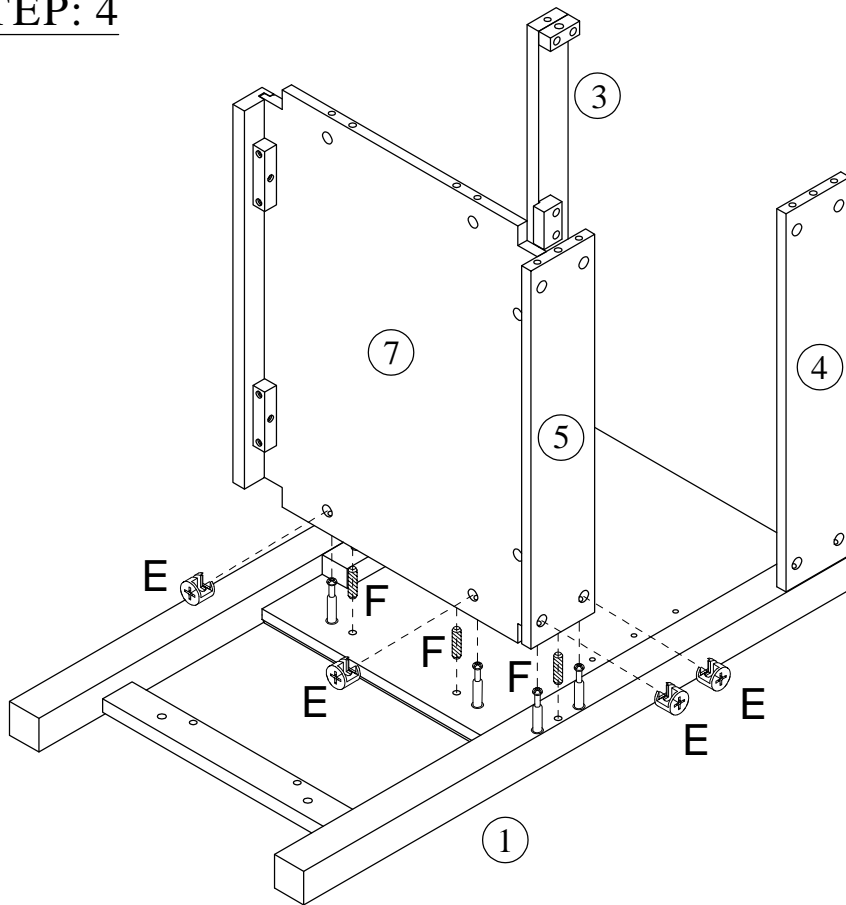



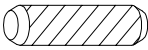
# STEP: 3



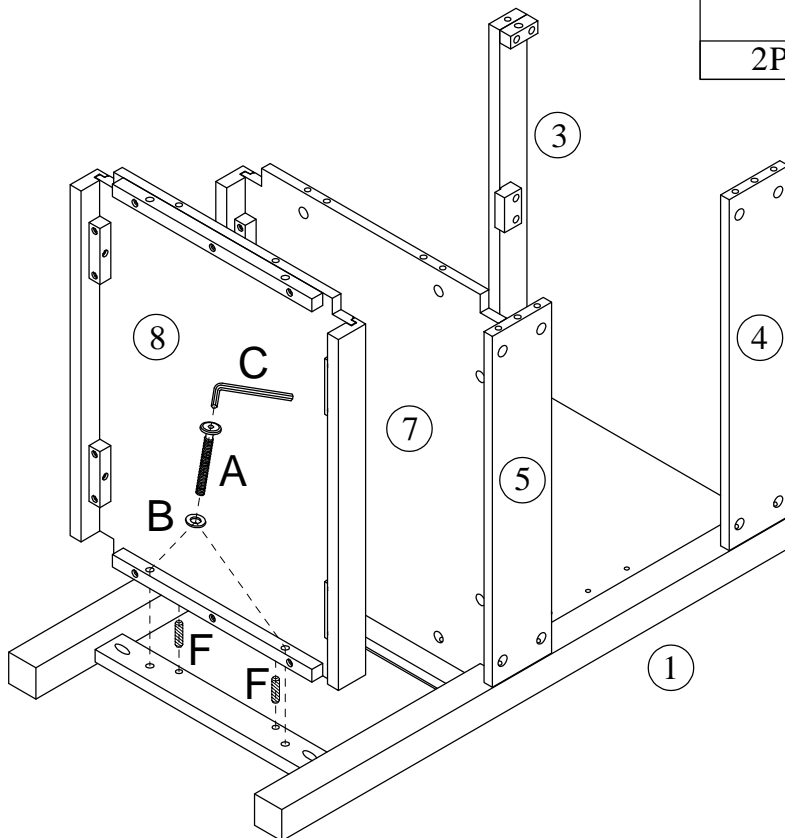
<b>E</b> 	<b>F</b> 
2PCS	2PCS

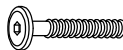
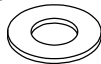


**STEP: 4**



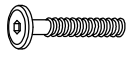
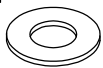


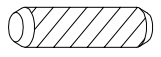
<b>E</b>		<b>F</b>	
4PCS		3PCS	

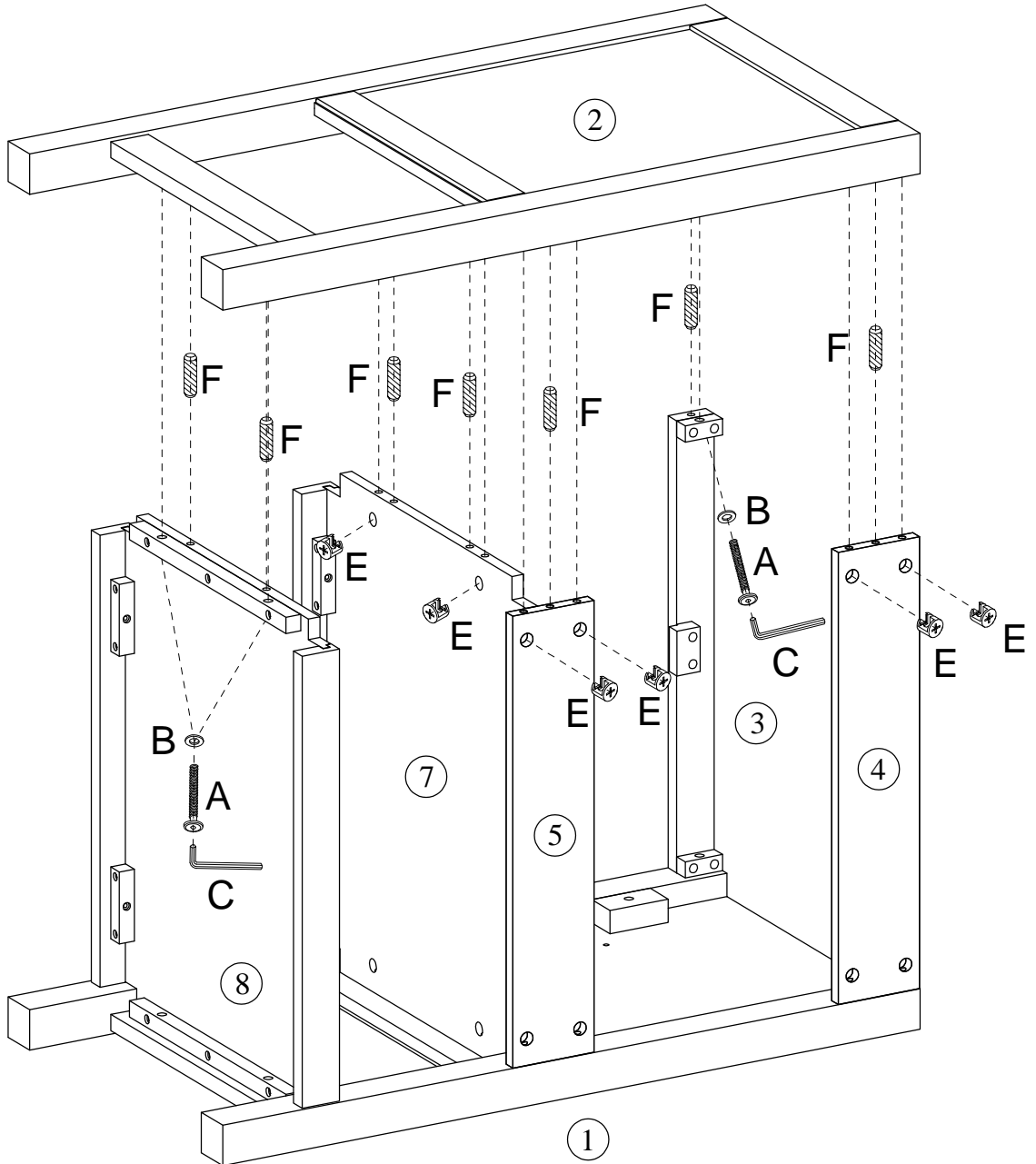
**STEP: 5**



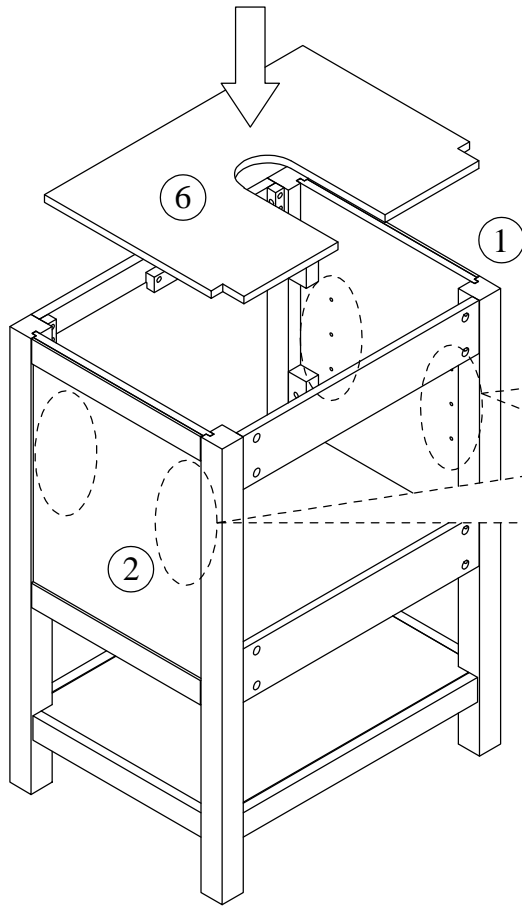
<b>A</b>		<b>B</b>		<b>C</b>	
2PCS		2PCS		1PC	
					<b>F</b>
					
					2PCS

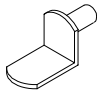
STEP: 6

<b>A</b> 	<b>B</b> 	<b>C</b> 	<b>E</b> 	<b>F</b> 
3PCS	3PCS	1PC	6PCS	7PCS

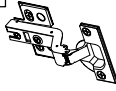





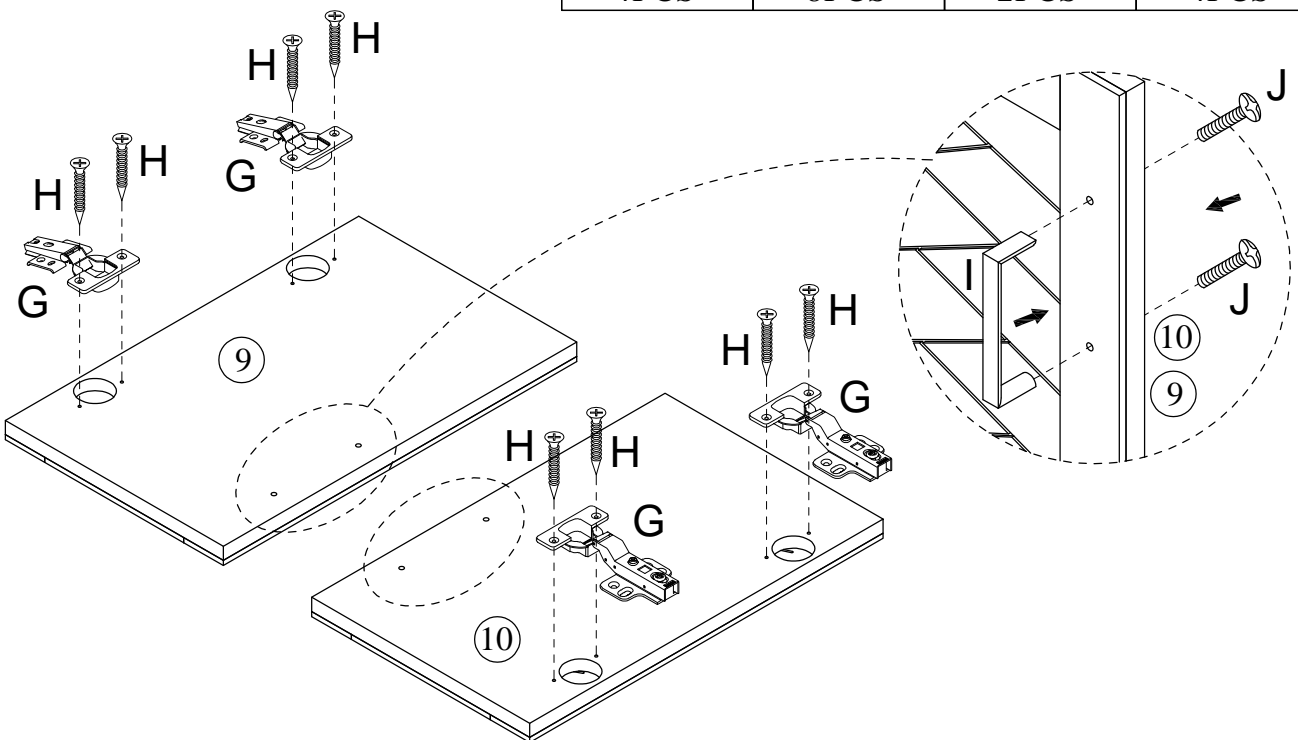
**STEP: 7**



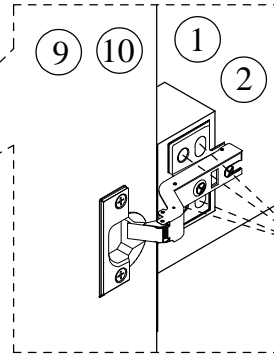
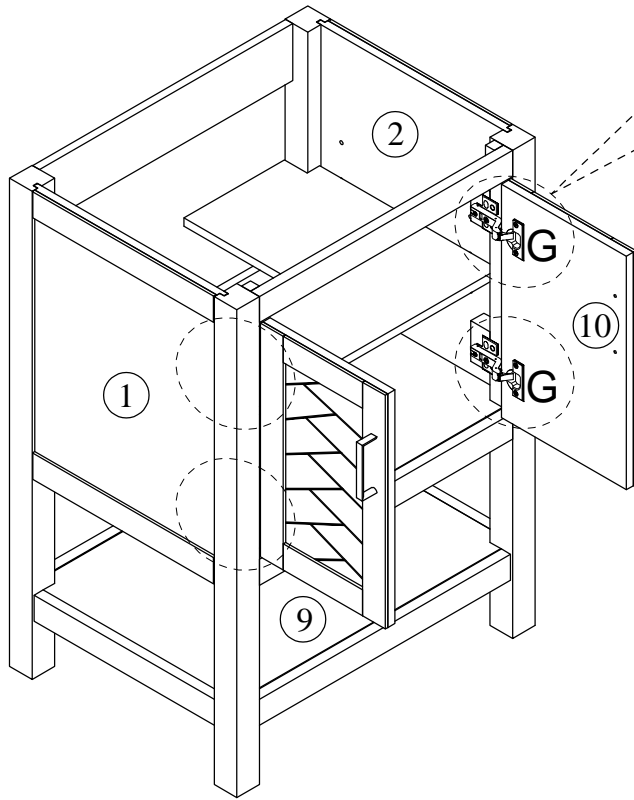
<b>K</b>	
4PCS	

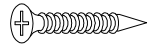
**STEP: 8**

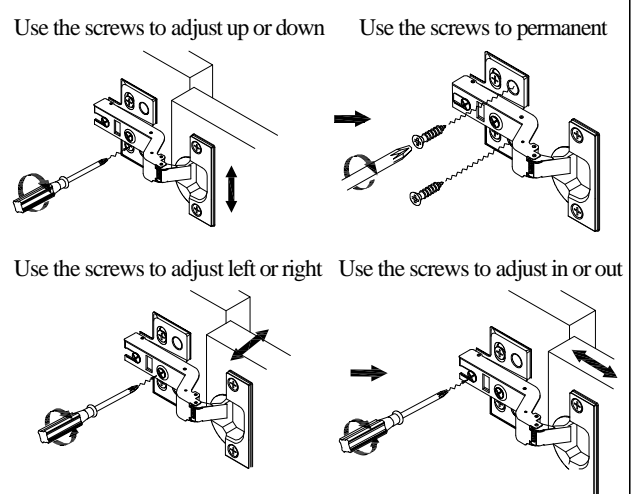
<b>G</b>		<b>H</b>		<b>I</b>		<b>J</b>	
4PCS		8PCS		2PCS		4PCS	



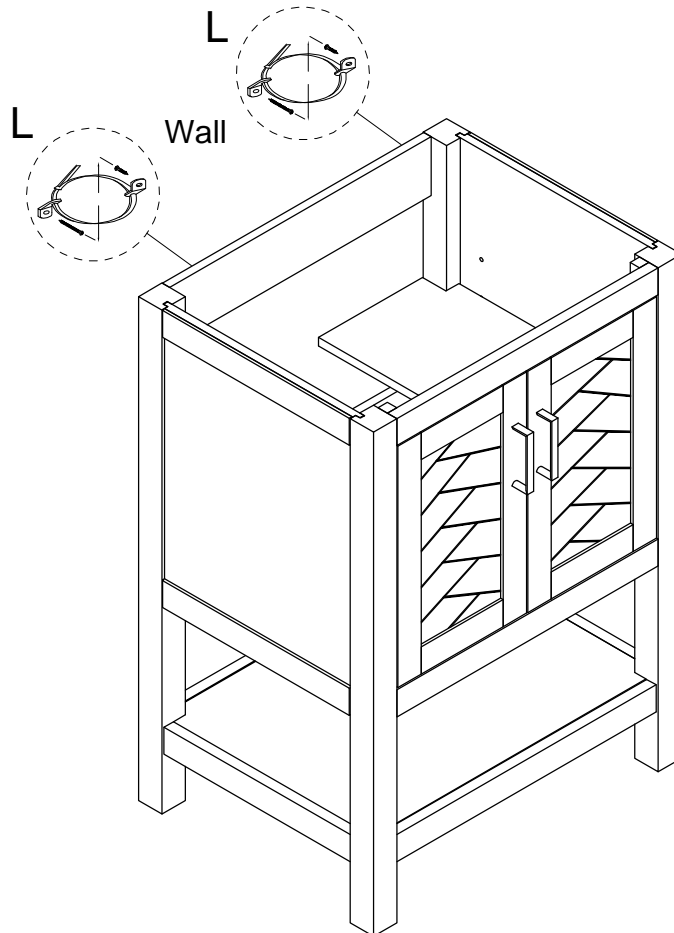
# STEP: 9

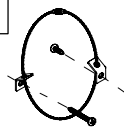


H

16PCS



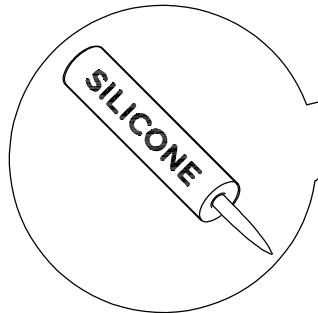
# STEP: 10



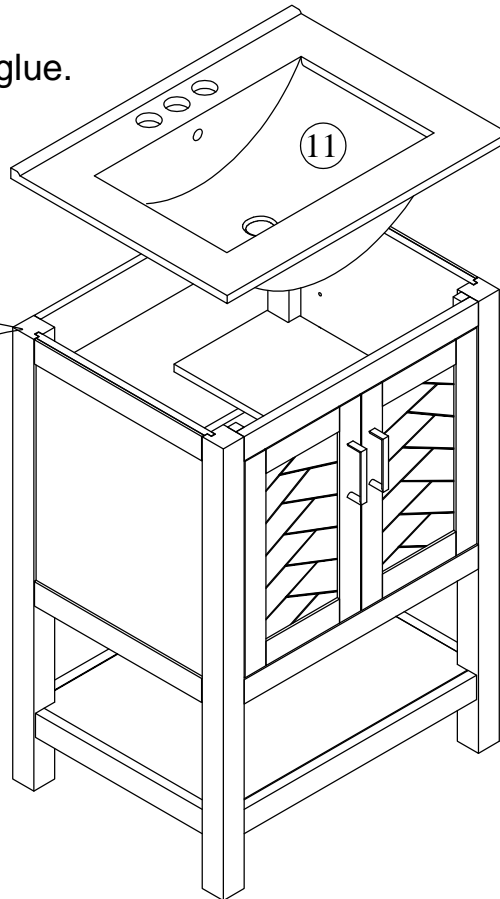
L

2 SETS

## STEP: 11

Install the sink on the cabinet with glue.  
Let stand for 24 hours



\*Silicone glue is not included in the package to comply with safety regulations in certain shipping conditions.



## STEP: 12

