

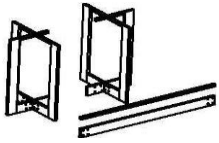
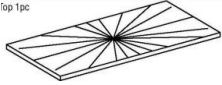



CARE AND MAINTENANCE

Spot clean using a mild water-free solvent. Only a professional cleaner should undertake a complete overall cleaning.
The use of steam or water-based cleaners may cause excessive shrinking or staining.

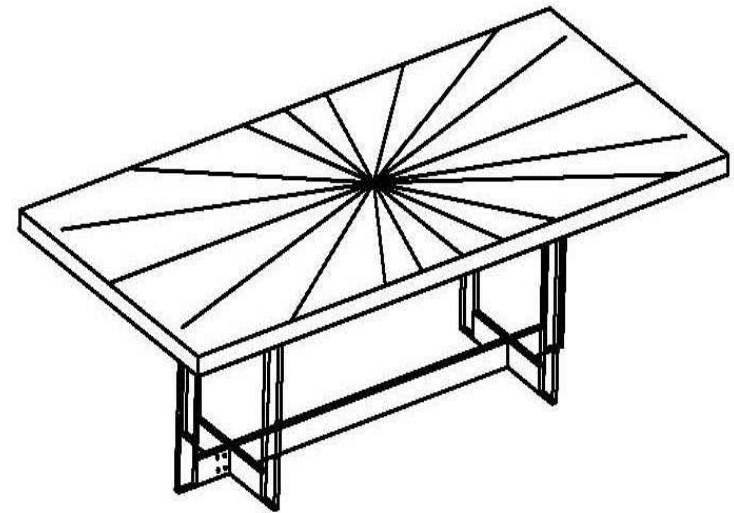
NOTICE

- * Please make sure that you have all parts indicated before you begin assembly of this item
- * This item should be assembled on a soft surface to prevent scratching the finish during assembly
- * This item may require periodic tightening

Part List and Hardware List

PIECE	DESCRIPTION	PICTURE	QUANTITY
A	Set og Legs		1set
B	Top		1X
C	Short Bolt		24X
D	Long Bolt		7X
E	Allen key		1X

DINING TABLE



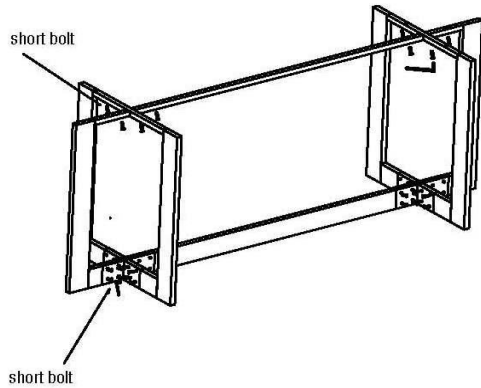
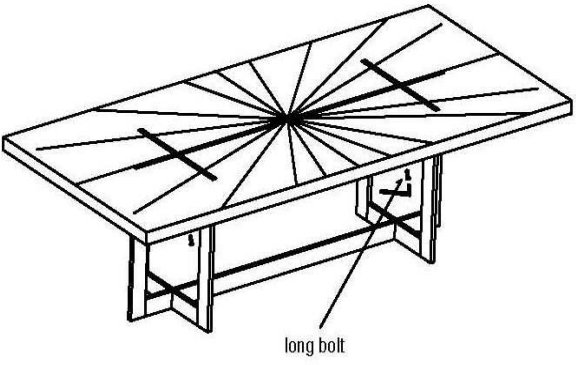
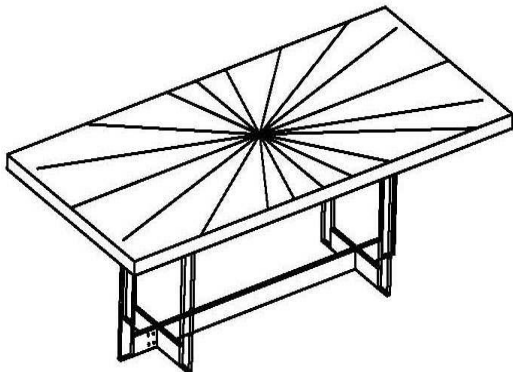
The legs, metal supports and hardware are located inside the inner carton above the box

PREPARATION

Before beginning assembly of product, make sure all parts are present. Compare parts with package contents list and hardware contents list. If any part is missing or damaged, do not attempt to assemble the product.

Estimated Assembly Time: 20 minutes.

Tools Required for Assembly (included): Allen Key

		
STEP1 ASSEMBLE THE LEG PARTS AS ILLUSTRATED WITH SHORT BOLTS USING ALLEN KEY PROVIDED	STEP2 ATTACH THE TOP ON THE ASSEMBLED LEG AND SECURED IT WITH LONG BOLTS USING ALLEN KEY PROVIDED AS SHOWN ON THE PICTURE	STEP3 THE TABLE IS READY TO USE

The legs, metal supports and hardware are located inside the inner carton above the box