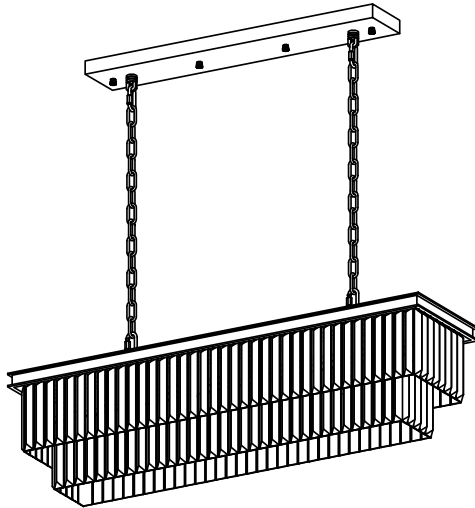
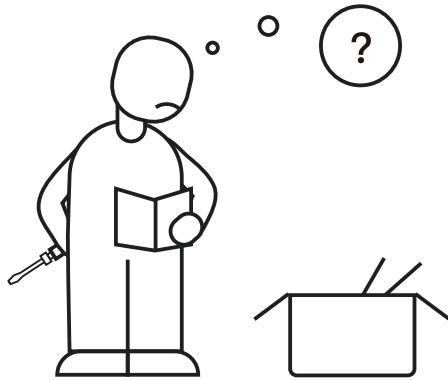


# Manual Book

## Chandelier Light





**Please contact us with following information:**

1. Screen shot of your order page, including product picture, name and order ID number.
2. Problem details with pictures / short video if possible.

# Safety Rules

**WARNING: BE SURE THE ELECTRICITY TO THE WIRES YOU ARE WORKING ON IS SHUT OFF; EITHER THE FUSE IS REMOVED OR THE CIRCUIT BREAKER IS TURNED OFF. TURNING THE POWER OFF USING THE LIGHT SWITCH IS NOT SUFFICIENT TO PREVENT ELECTRICAL SHOCK.**

**NOTE:** The important safeguards and instructions appearing in this manual are not meant to cover all possible conditions or situations that may occur. It must be understood that common sense, caution, and care, are factors which cannot be built into any product. These factors must be supplied by the person(s) installing this unit.

## READ & SAVE THESE INSTRUCTIONS

**CAUTION:** Before assembling the lighting fixture, refer to the section titled Wiring Connections. If you feel you do not have enough electrical wiring experience, either refer to a do-it-yourself wiring handbook or have your lighting fixture installed by a qualified, licensed electrician.

## INSTALLATION & OPERATION INSTRUCTIONS GENERAL

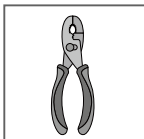
Before starting the installation, disconnect the power by turning off the circuit breaker or by removing the appropriate fuse at the fuse box. Turning the power off using the light switch is not sufficient to prevent electrical shock.

All electrical connections must be in accordance with local and National Electrical Code (NEC) standards. If you are unfamiliar with proper electrical wiring connections, obtain the services of a qualified electrician.

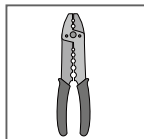
# 1. Tools You Need



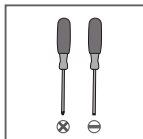
Ladder



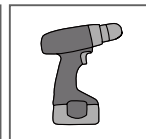
Pliers



Wire Strippers



Screwdrivers

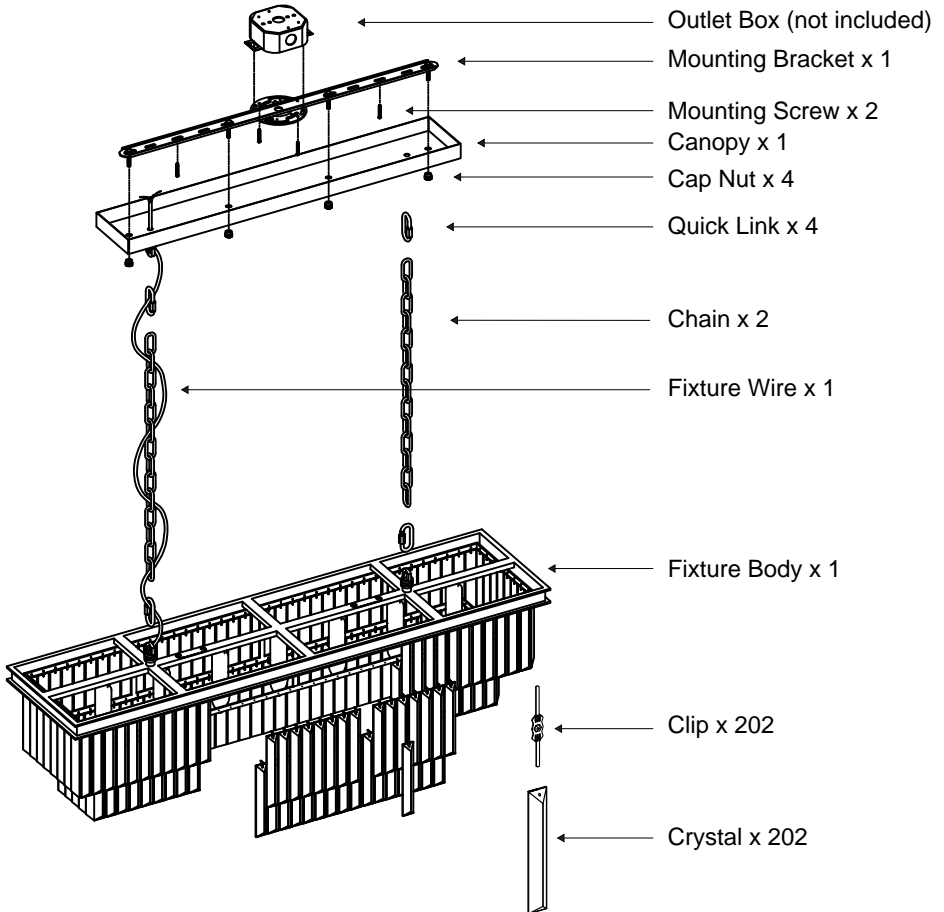


Power Drill (optional)



Drill Bit (optional)

## 2. Packing List



**NOTE: Crystal is fragile and spare parts are included.**

# 3. Mounting and Wiring

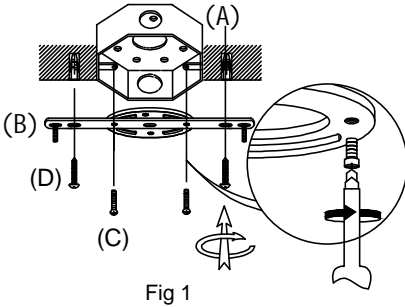


Fig 1

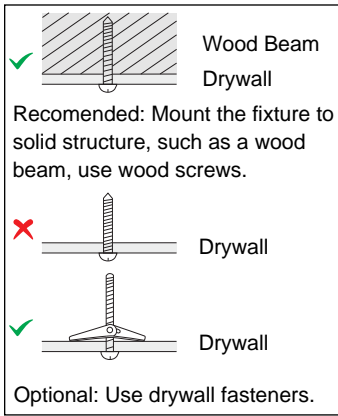


Fig 2

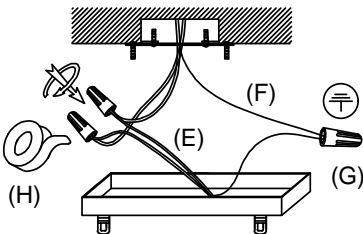


Fig 3

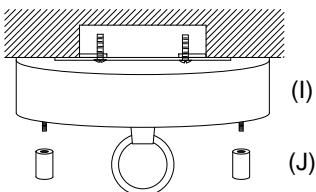


Fig 4

## 1. Mount the Bracket

Take off screws from outlet box (A). Secure the mounting plate (B) onto the box with screws (C) taken off (Fig 1). Fix two additional screws as fig. 2.

## 2. Connect the Wires

**Step 1:** Measure and cut the chain and fixture wires for a proper length. Connect the chain to canopy and fixture body with quick on it. Pass the fixture wires through the chain and canopy.

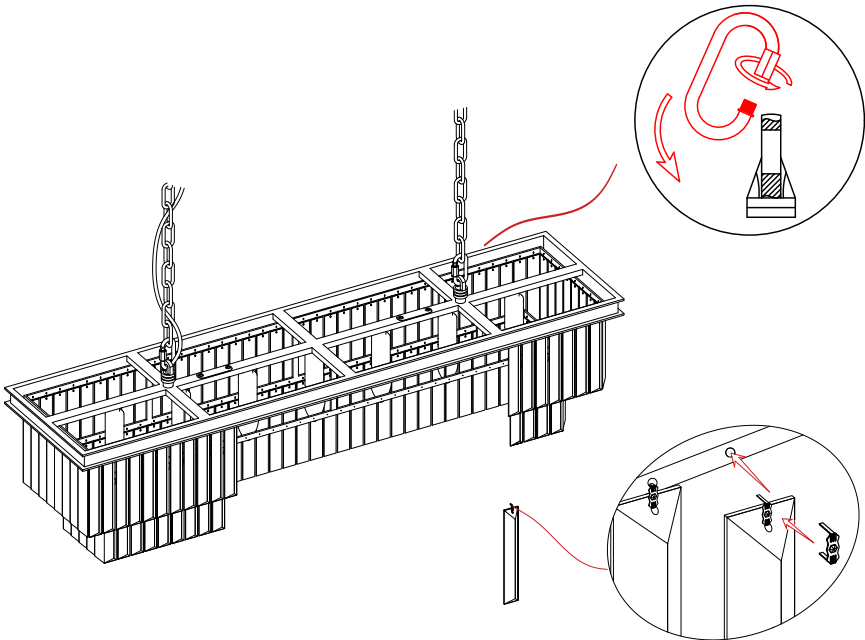
**Step 2:** Connect the fixture wires (E) to the wires from outlet box, black to live wire, white to neutral wire, green/yellow and green wire to ground wire (F). Wrap the connectors (G) with electrical tape (H) separately.

**Step 3:** Spread apart the wires so that the live wires are on one side of the outlet box and the neutral wires are on the other side.

## 3. Fix the Canopy

Fix the canopy (I) onto the bracket with cap nut (J) provided (Fig. 4).

## 4. Fixture Assembly



1. Install Bulbs (E12 x 8, Max 40W each, LED recommended).
2. Hook the crystals onto the fixture body frame with clips provided, make sure the flat side facing inwards the fixture.

# Trouble Shooting

## 1. Missing / Broken Parts

- Make a list of the missing/broken parts according to the packing list, take photos for broken parts, then email us for free replacements.

## 2. Bulbs Do Not Light Up

- Check your power and switch to make sure it's power on.
- Check the bulb to make sure it's installed correctly.
- Change a new bulb.
- Check the wires to make sure they are connected correctly.

## 3. Bulbs Flicker / Noisy Operation

- Check the bulb to make sure it's installed correctly.
- Change a new bulb.
- Make sure your bulb is dimmable if you use a dimmer switch.

## 4. Could Not Install / Assemble

- Take photos of the ceiling / fixture, contact seller for technical support.

# Clean And Care

To clean, wipe fixture with soft cloth. Spray from chemical cleaners can discolor the finish of fixture. Do not use scouring pads, powders, steel wool or abrasive paper to clean this fixture.

# Ordering Parts

Keep this manual for future reference, and in case replacement parts are needed. Available parts can be ordered from place of purchase. Use exact wording from diagrams when ordering parts.