

## LED WALLPACK

### SPEC SHEET



UL wet listed die-cast aluminum construction with borosilicate glass lens or UV stabilized polycarbonate diffuser complete with stainless steel hardware. Mounts to standard 4 inch square electrical junction boxes. Alternate junction box mounting possible via universal mounting ring. Ingress resistant gasket included.

- Same footprint as traditional HID fixtures
- Premium brand LEDs (Philips® chips depending on SKU) and YG® driver technology
- Dimming option available
- Precision die-cast Aluminium
- Wet location rated fixture for outdoor use
- Chip and fade resistant powder coat finish in any color
- Precision prismatic reflector
- Industrial grade, Standard button Photocell available

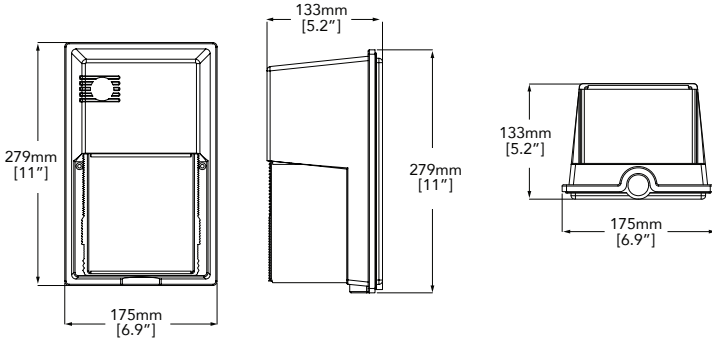
#### PRODUCT PERFORMANCE AT A GLANCE

SYSTEM WATTAGE	LED WATTAGE	LUMENS	LPW	CRI	REPLACES METAL HALDIE
21W	19W	2415 lm	118 lm/w	≥70	70W

#### APPLICATIONS

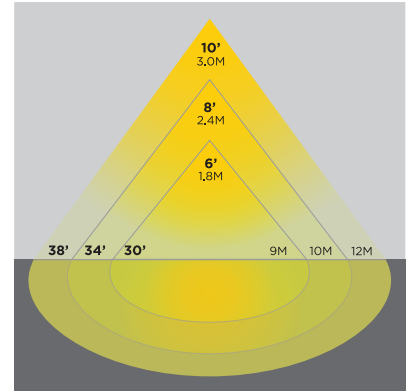
Suitable for outdoor applications such as residential, light commercial, apartments, carports, driveways, parking lots, building perimeters, loading areas, driveways, sign and building flood lighting

**PRODUCT LINE DRAWING**



**SUGGESTED MOUNTING HEIGHT:**  
6-12FT. (1.8-3.7M)

**3D PHOTOMETRIC VIEW**



**PRODUCT SPECIFICATIONS**

Product Dimensions	: 11"×6.9"×5.2"
Weight	: 5.73lbs
Lumens	: 2415
System Wattage	: 21W
LED Wattage	: 19W
Efficacy	: 118
CRI	: 70
Replaces (Metal Halide)	: 70W
Replaces (Incandescent Bulb)	: 150W
Mounting	: Wall mount
Frequency	: 50-60Hz
THD(Total Harmonic Distortion)	: <20%
PF(Power Factor)	: >0.9
Ambient Operating Temperature	: (-30) - 40°C
Input Voltage	: 120-277V
LED Chip	: LUXEON 3030 2D
Photocell	: Yes
Driver	: 0-10V Dimming
Standard Lifetime	: L70 >50,000hrs
Standard Warranty	: 5 Years
Water Proofing Grade	: Suitable for wet location
CCT	: 4000K
Certifications	: DLC, UL/cUL

**2D PHOTOMETRIC VIEW**

