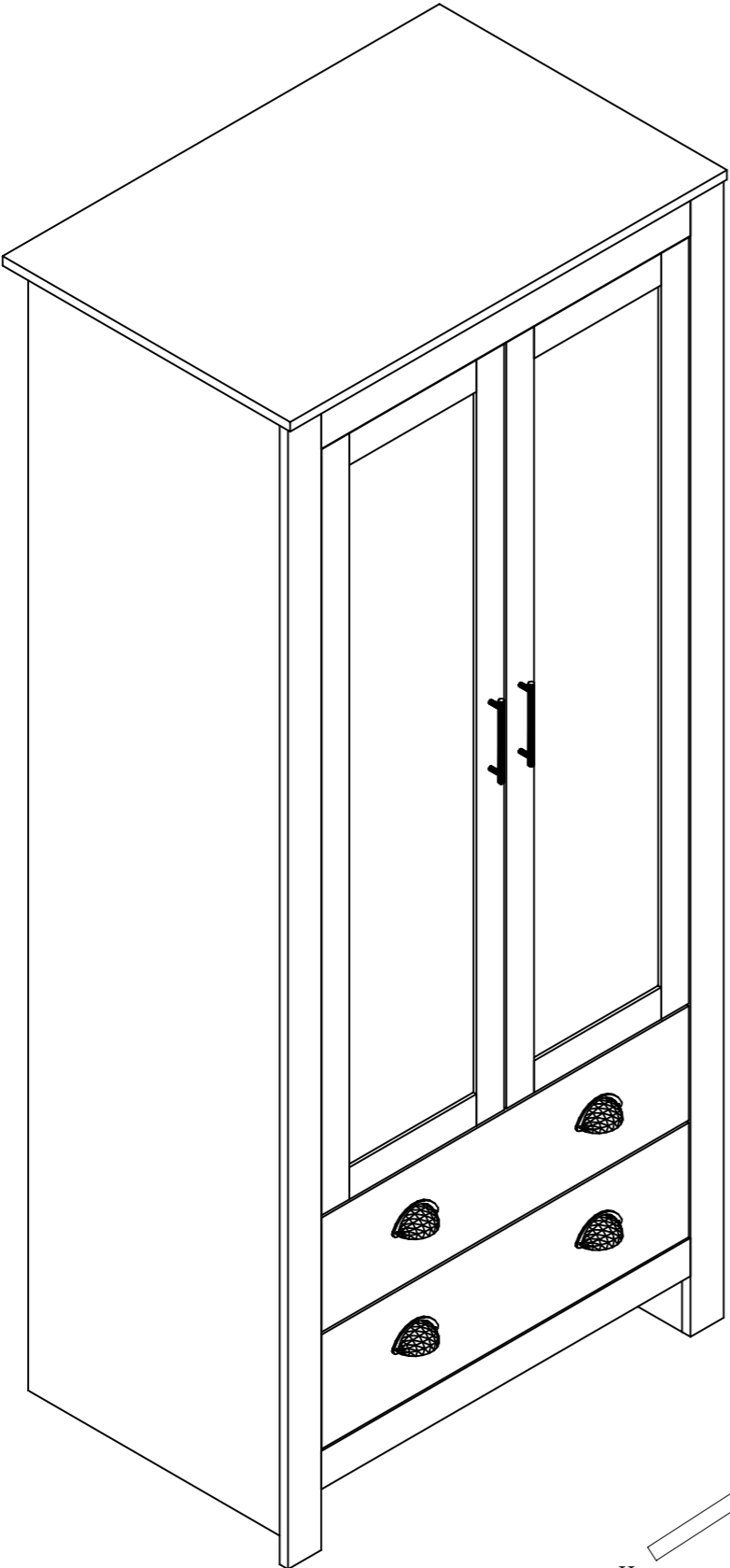
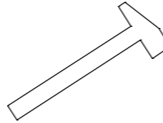

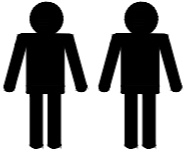


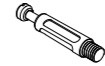















Assembly Instruction



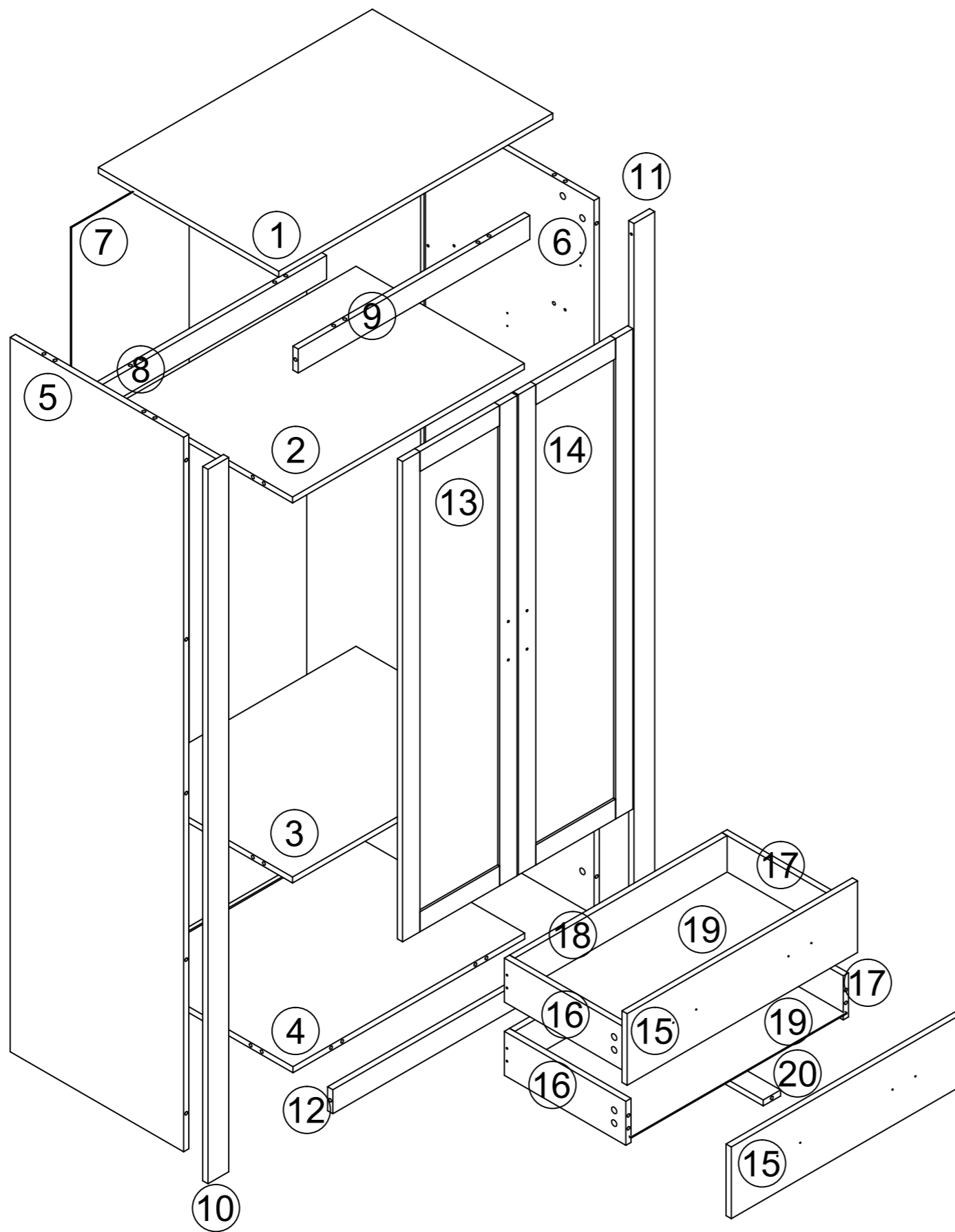



 Hammer and Screwdriver
 are not included !!



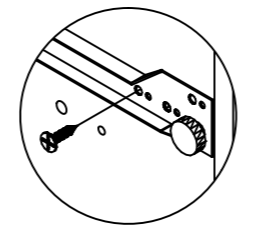
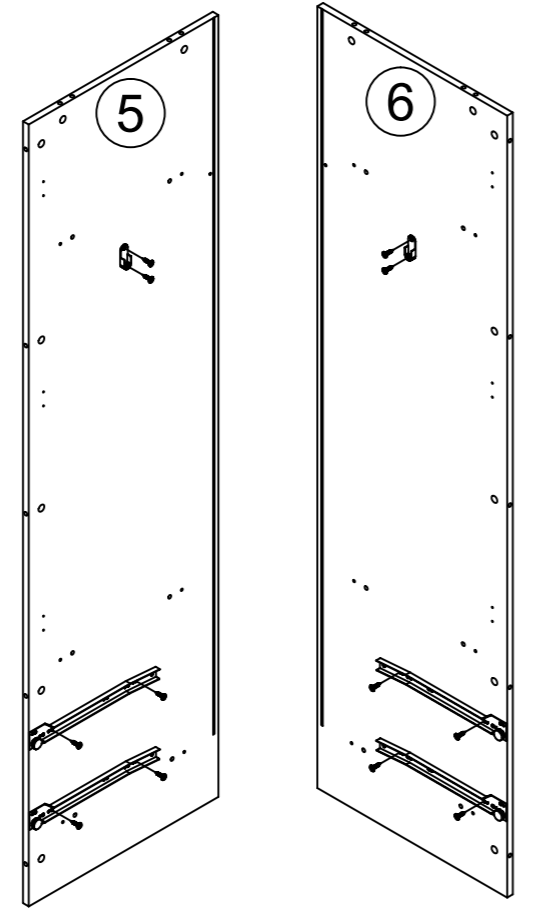
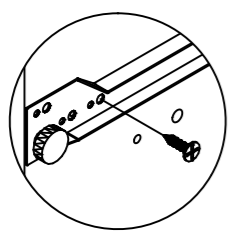
NO.	QTY.	LINEDRAWING
(A)	50	
(B)	50	
(C)	22	 Ø8x40
(D)	2	 3.5x35 3.5x14
(E)	8	 Ø3.5x35
(F)	6	
(G)	68	 Ø3.5x14
(H)	2	
(I)	36	
(J)	50	
(K)	4	
(L)	4	
(M)	2	
(N)	1	
(O)	2	
(P)	6	

PARTS LIST



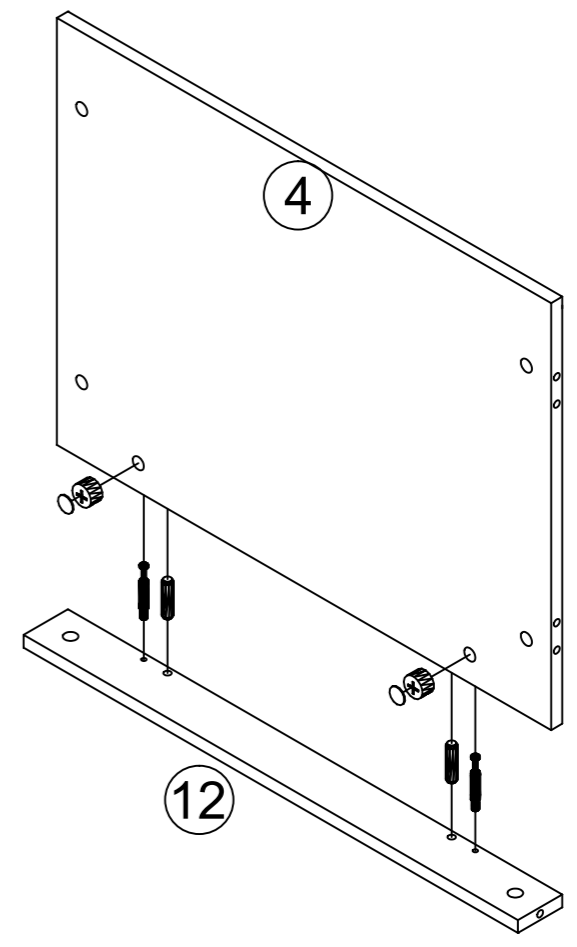
NO.	QTY.	NO.	QTY.
①	1	①⑦	2
②	1	①⑧	2
③	1	①⑨	2
④	1	②①	2
⑤	1		
⑥	1		
⑦	1		
⑧	1		
⑨	1		
⑩	1		
⑪	1		
⑫	1		
⑬	1		
⑭	1		
⑮	2		
⑯	2		

1



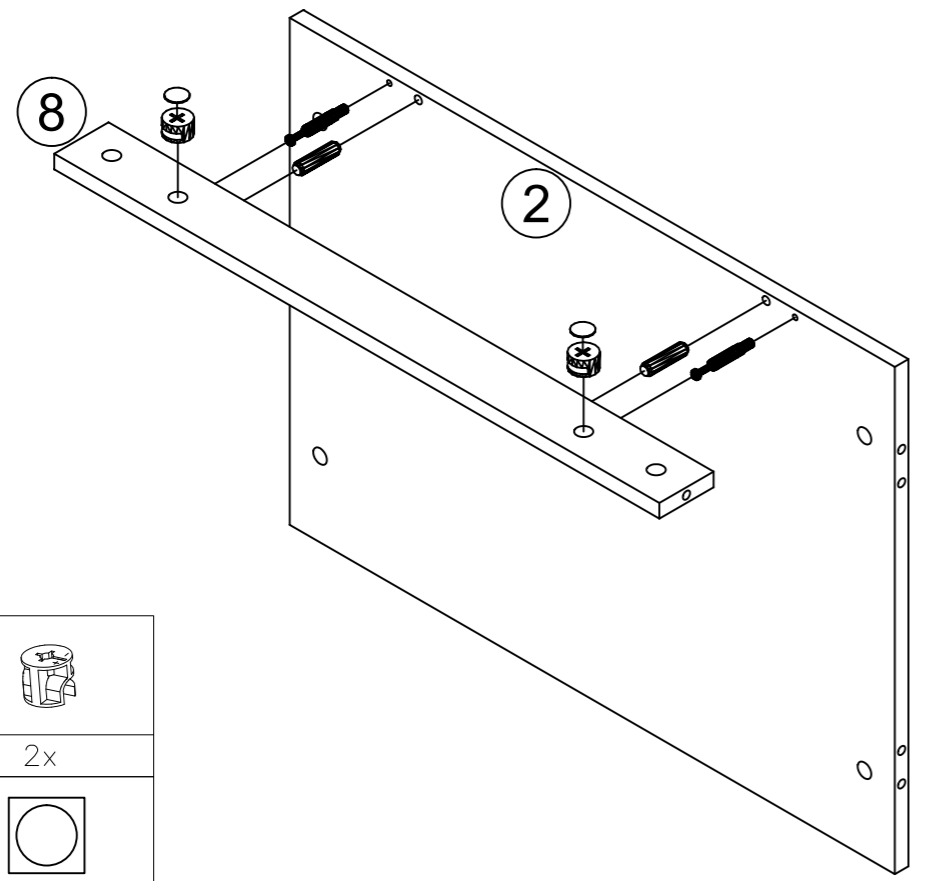
O		2x
H		2x
G		12x

2



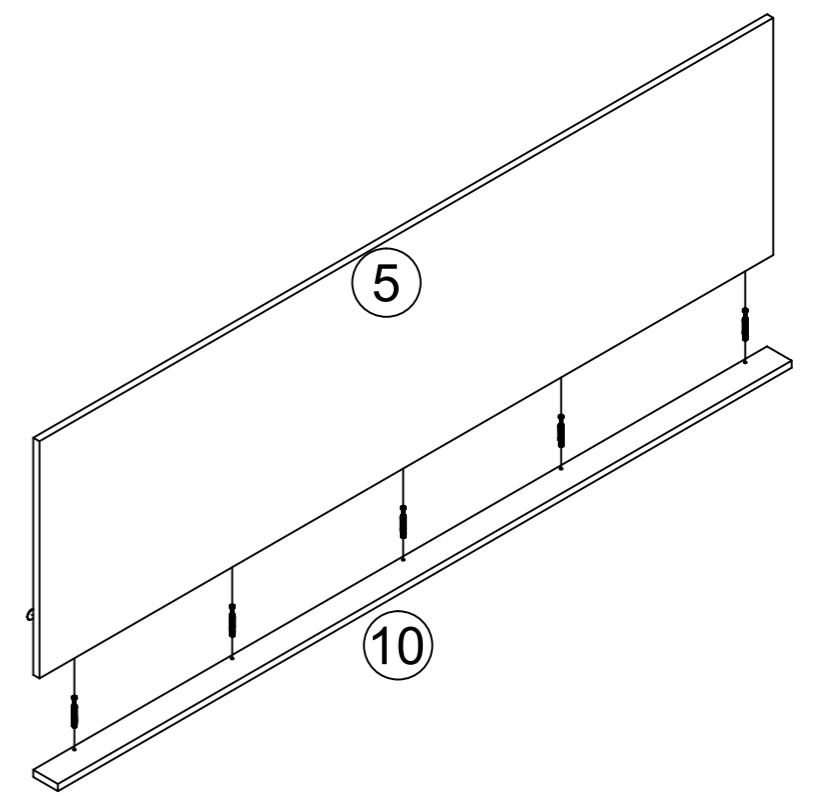
A		2x
C		2x
B		2x
J		2x

3



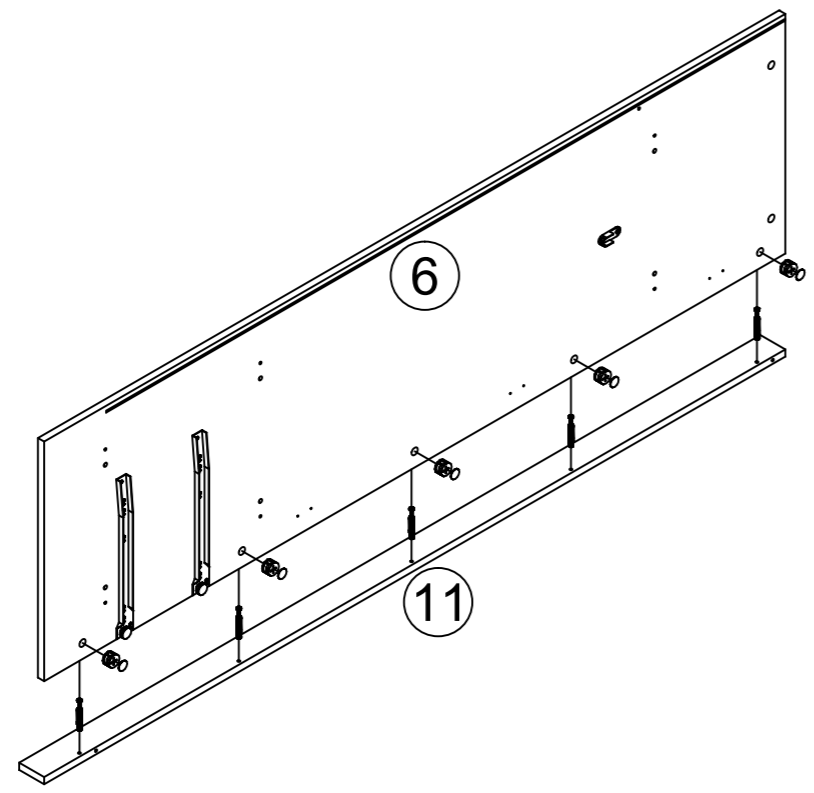
A		2x
C		2x
B		2x
J		2x

4



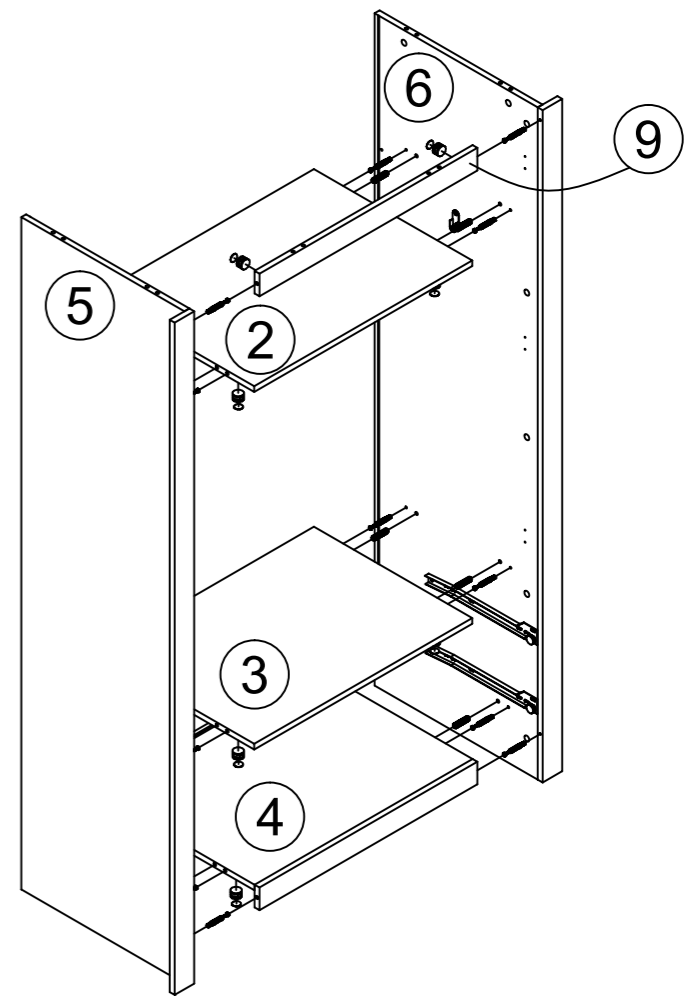
A		5x
B		5x
J		5x

5



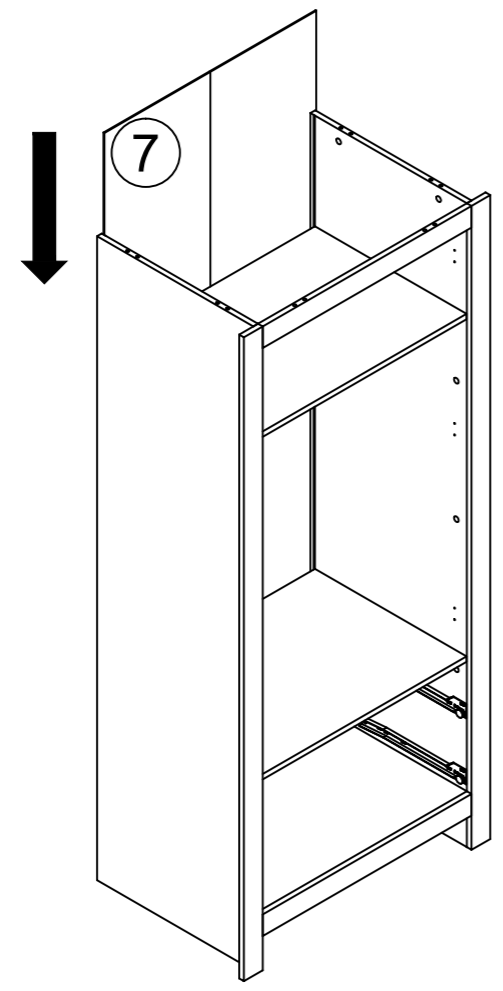
A		5x
B		5x
J		5x

6

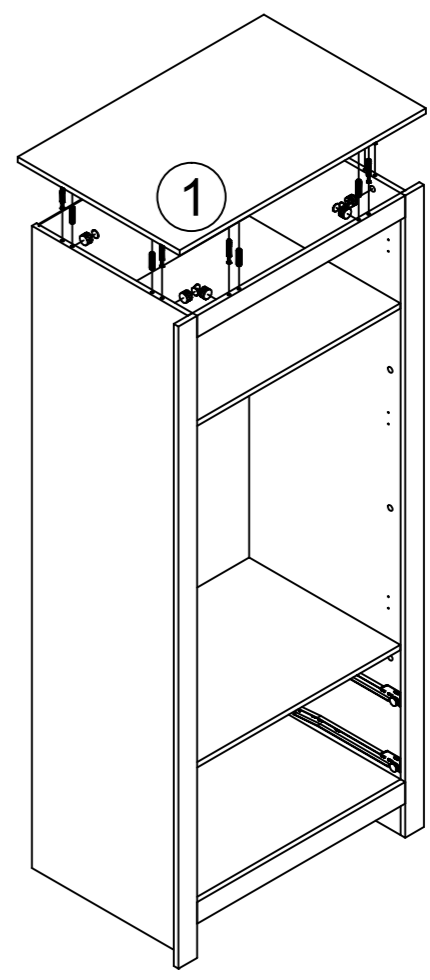


A		18x
B		18x
C		12x
J		18x

7

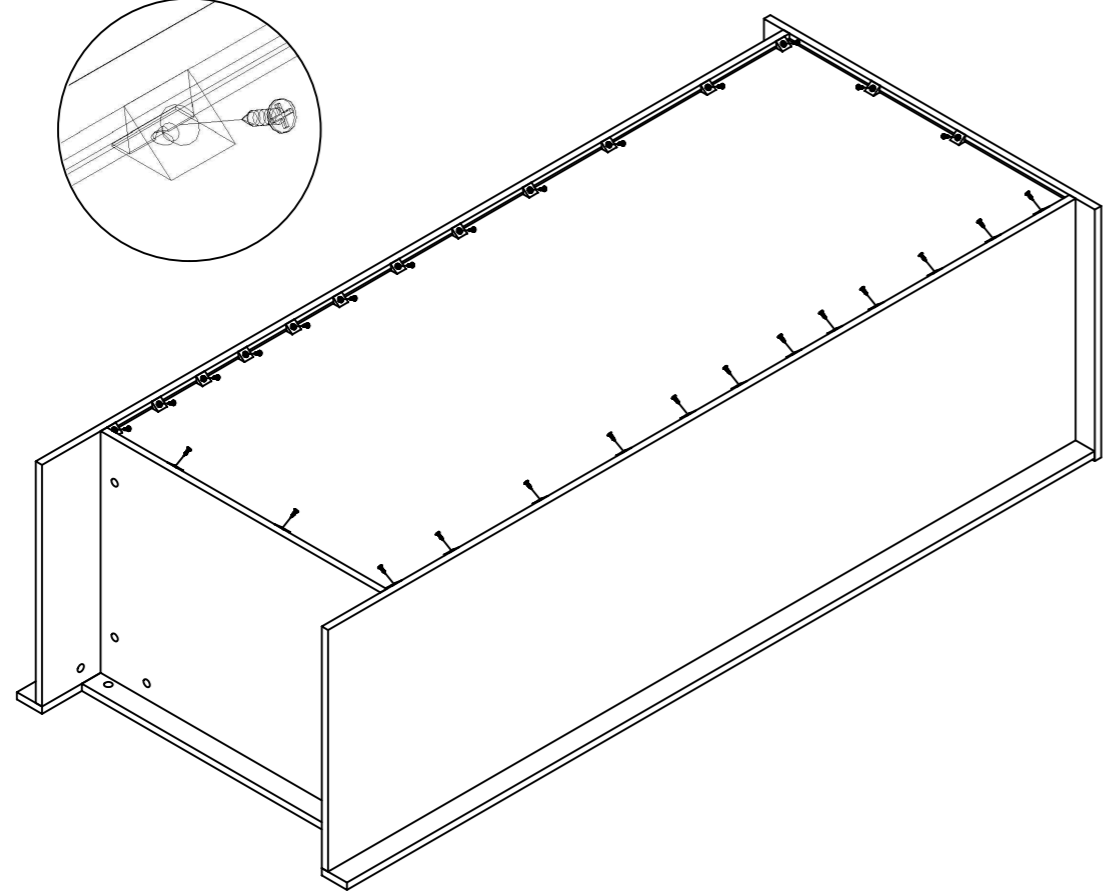
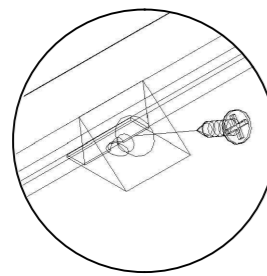


8



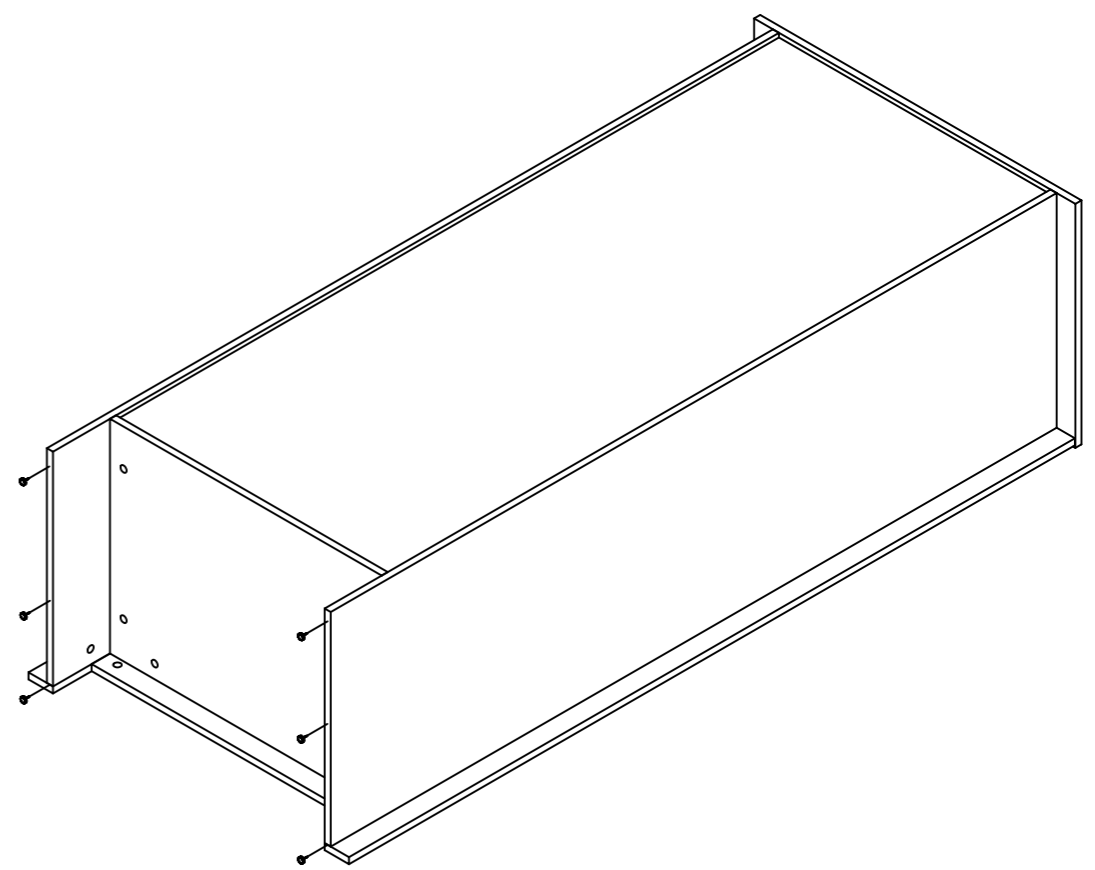
A		6x
B		6x
C		6x
J		6x

9



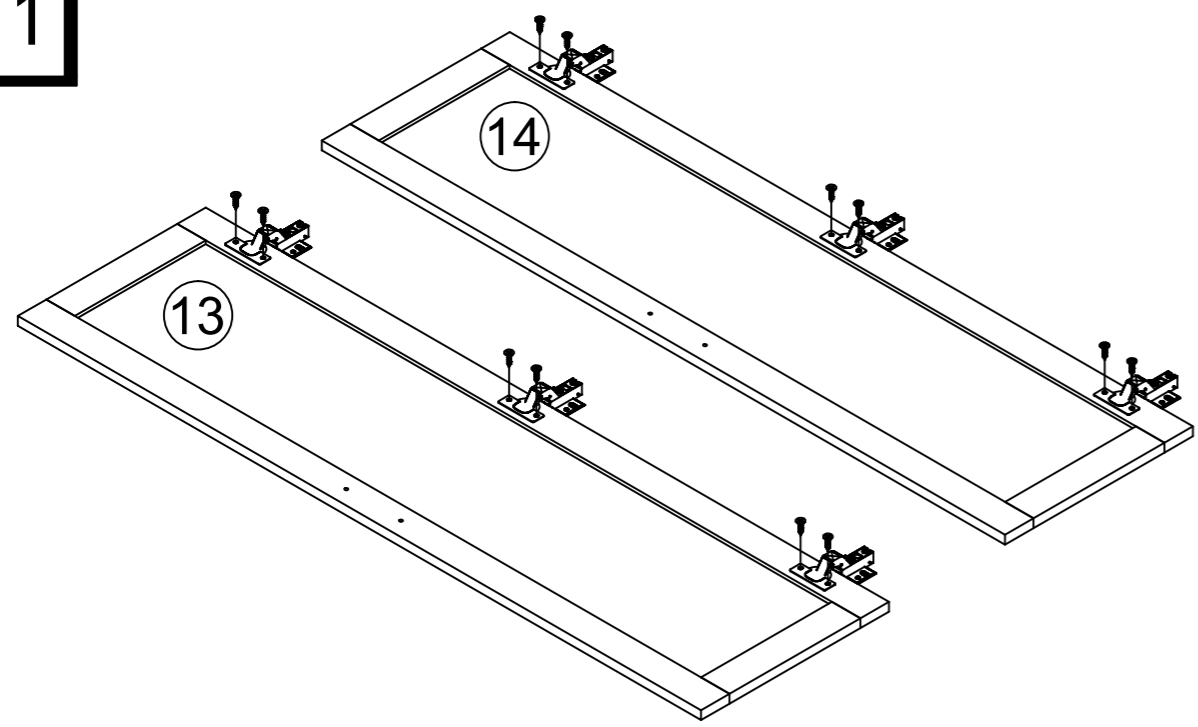
I	
	36x

10



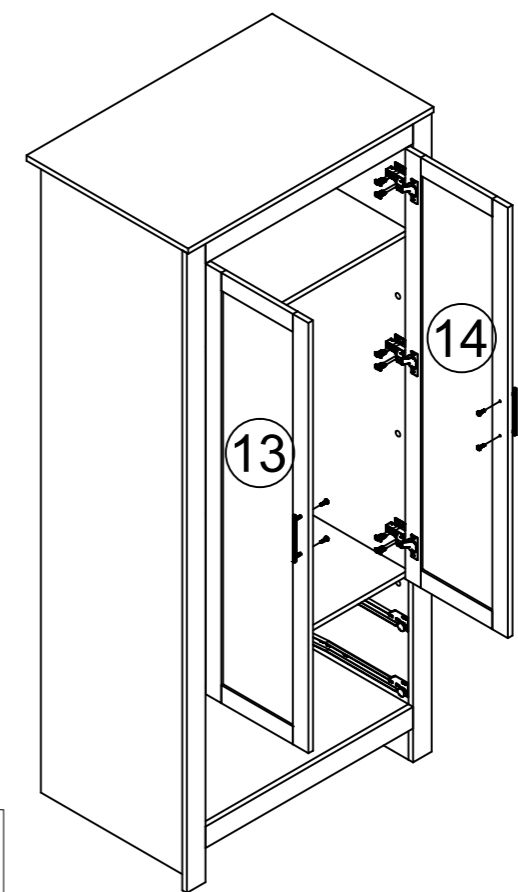
F	
	6x

11



P		G	
	6x		Ø3.5x14
			12x

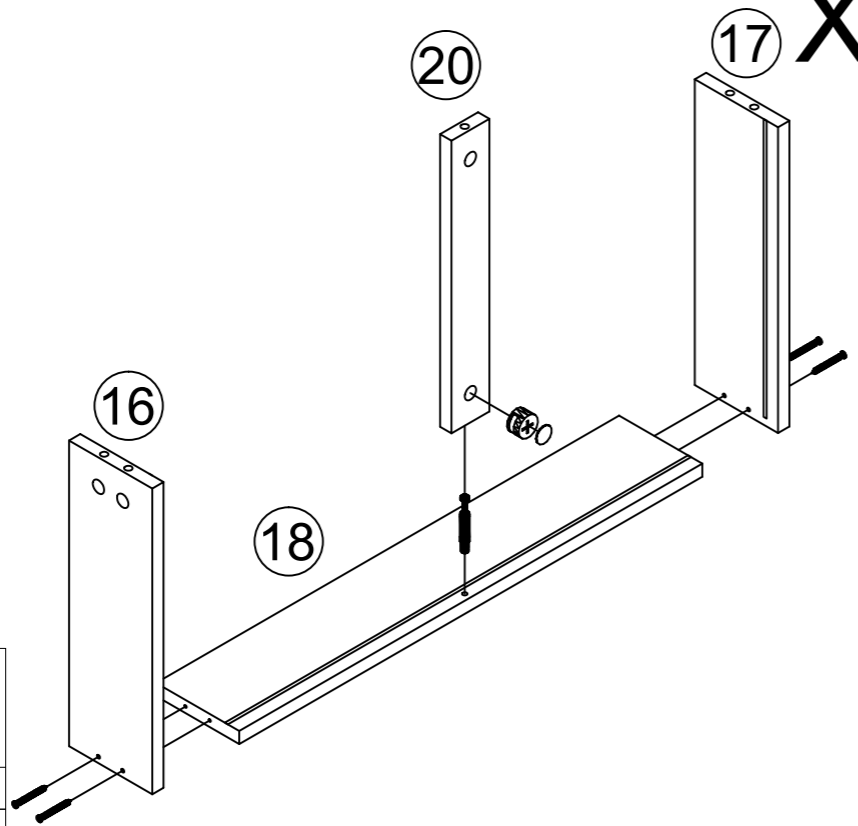
12



M		L	
	2x		
G			
	Ø3.5x14		
	24x		4x

13

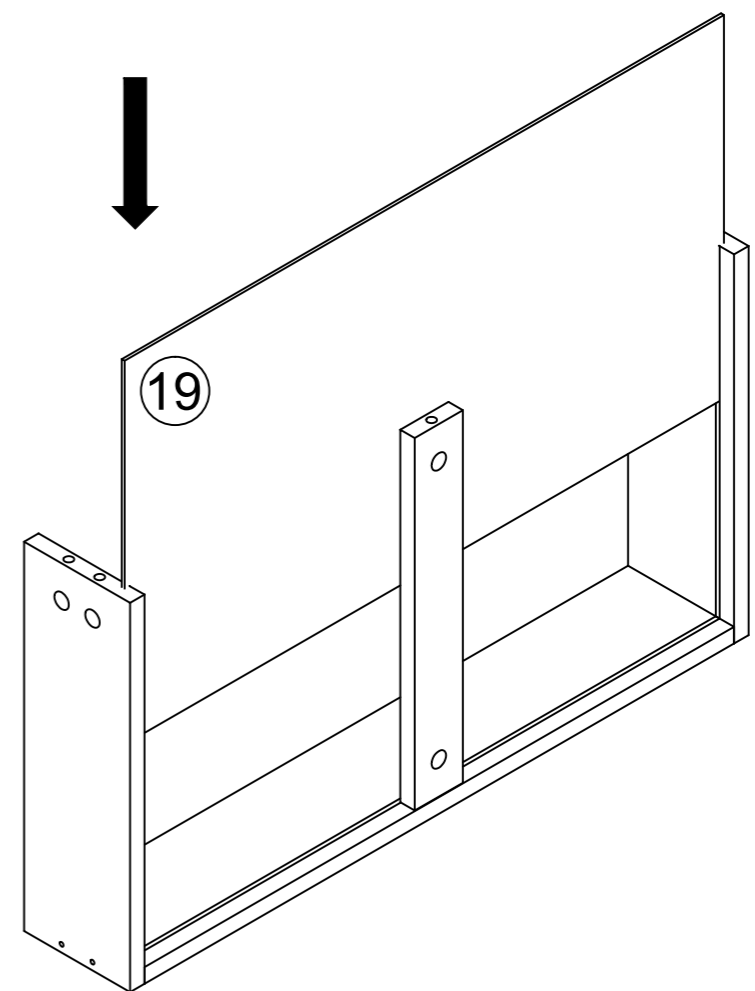
X2



A		B	
	2x		2x
E		J	
	Ø3.5x35 8x		2x

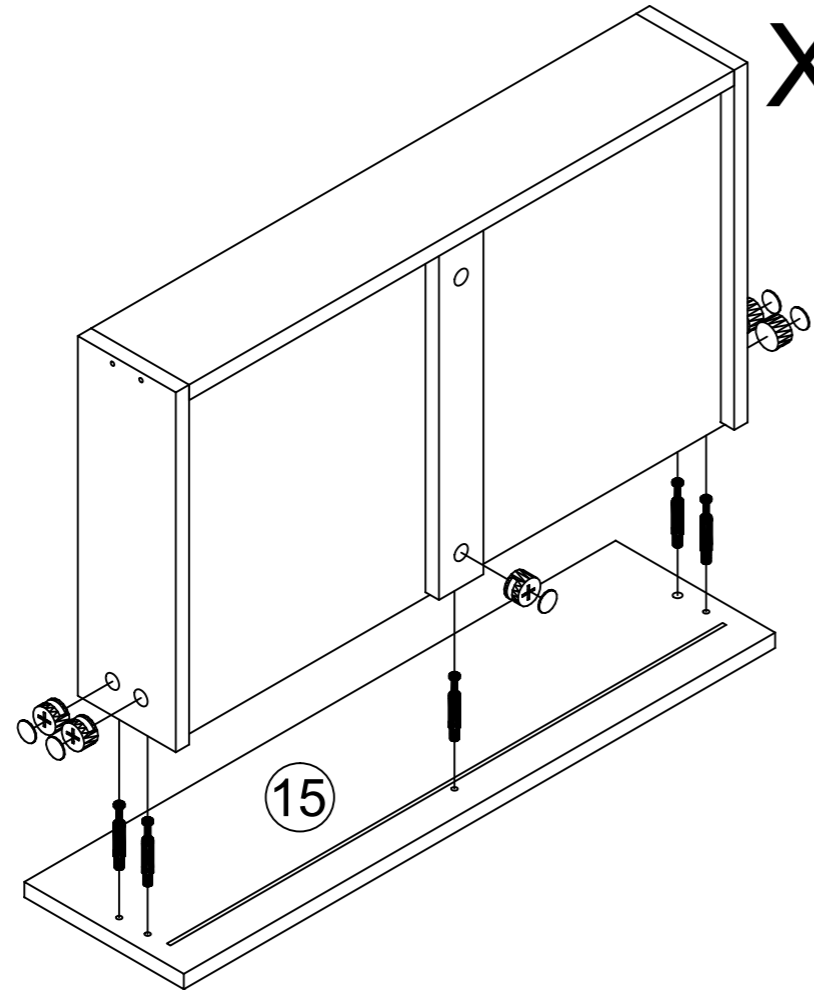
14

X2



15

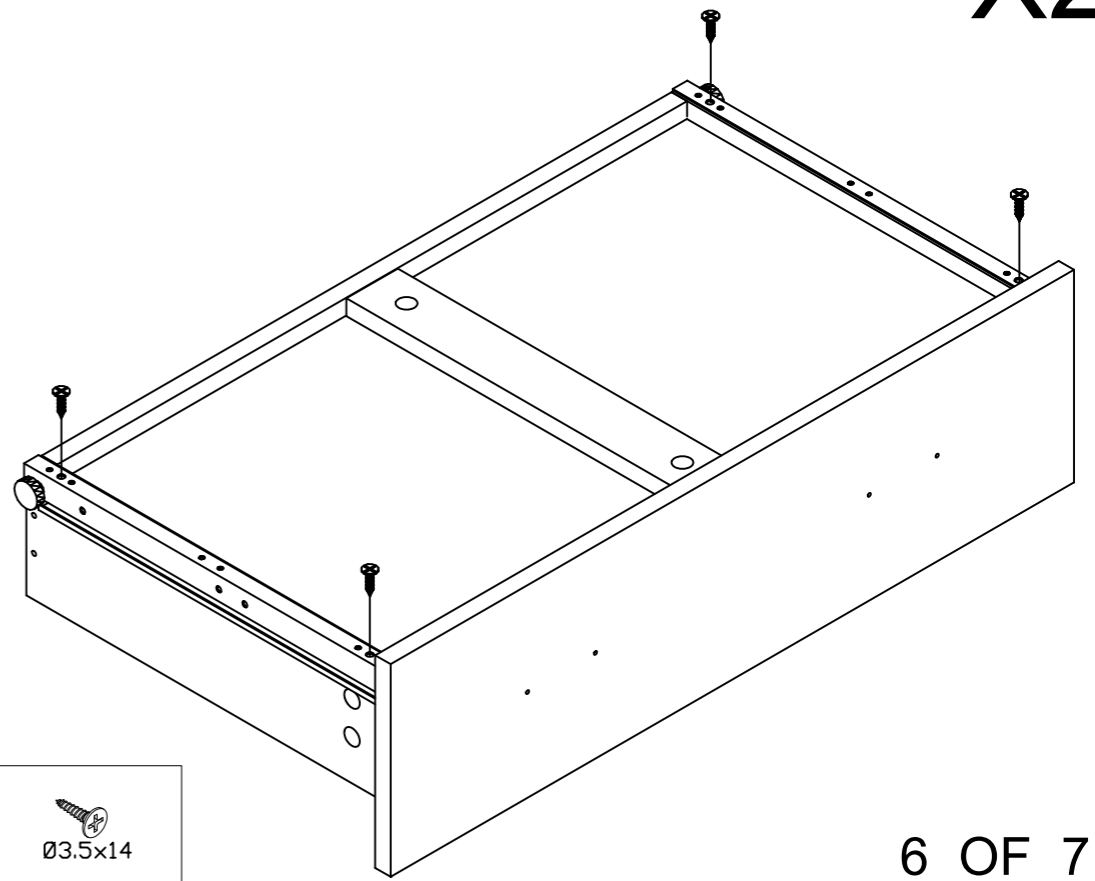
X2



A			
	10x		
B		J	
	10x		10x

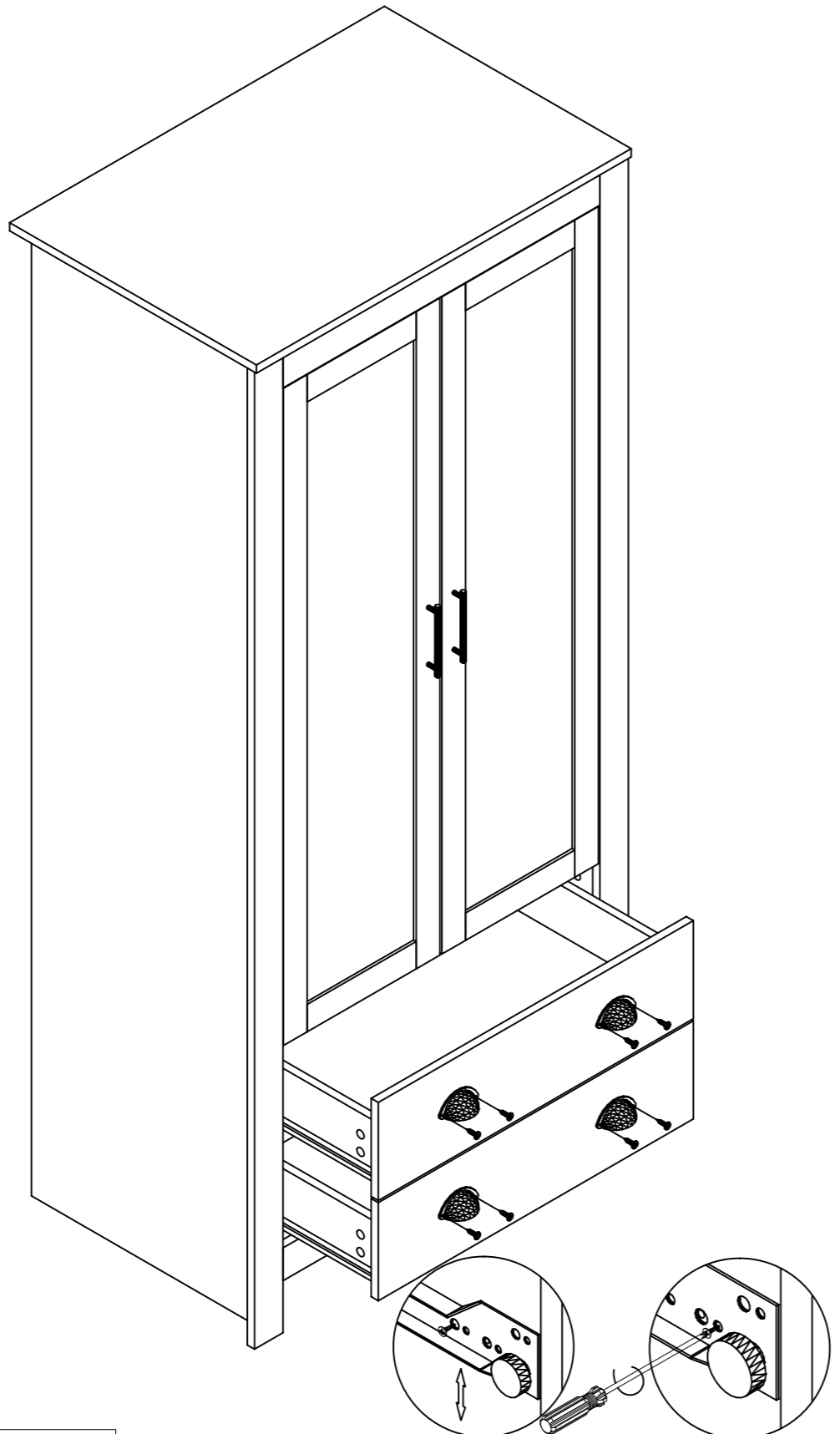
16

X2



H		G	
	2x		Ø3.5x14 8x

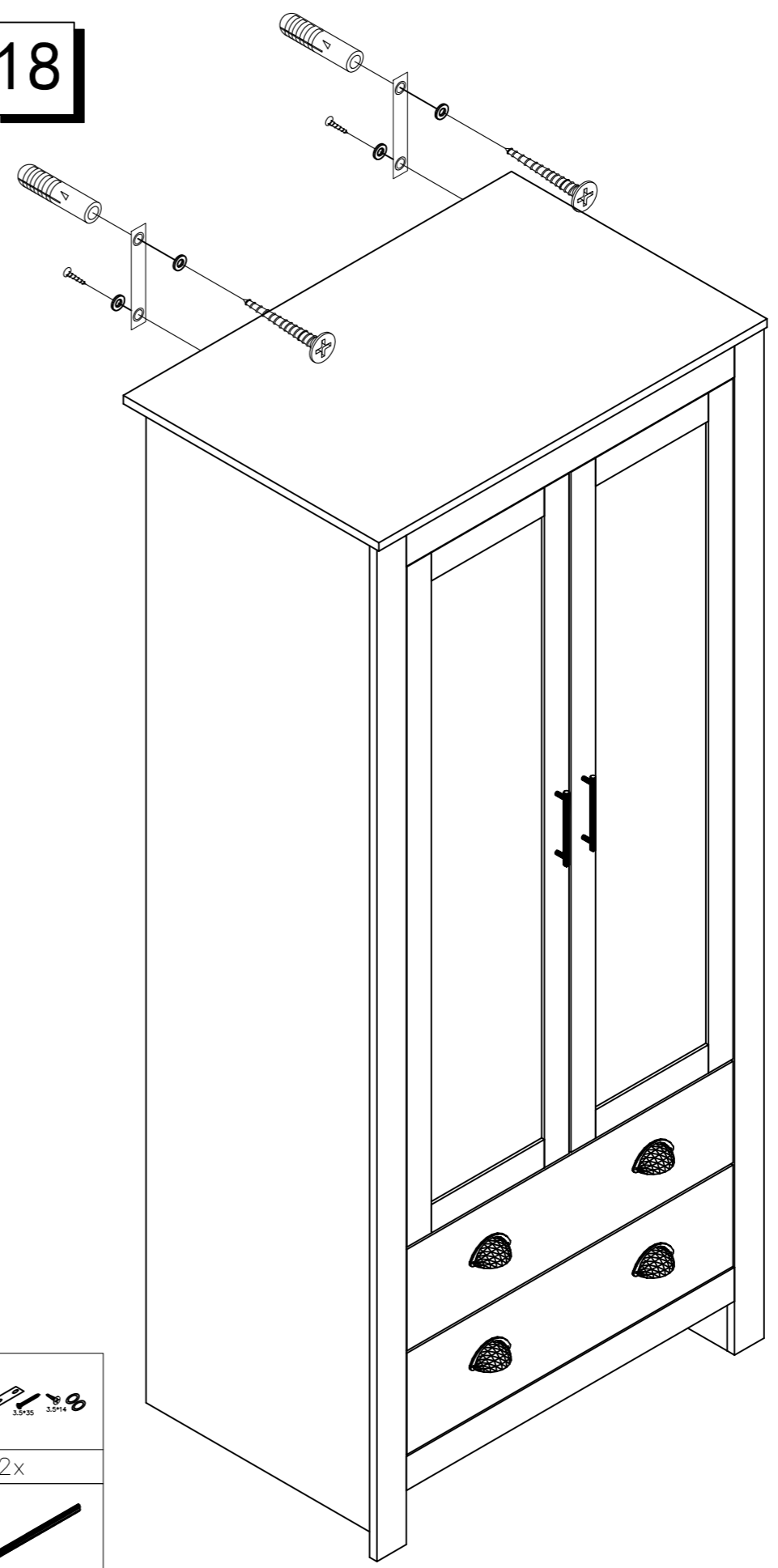
17



K	G
4x	12x

Tight the Third screw after drawer adjusted in a Suitable location.

18



D	N
2x	1x

