

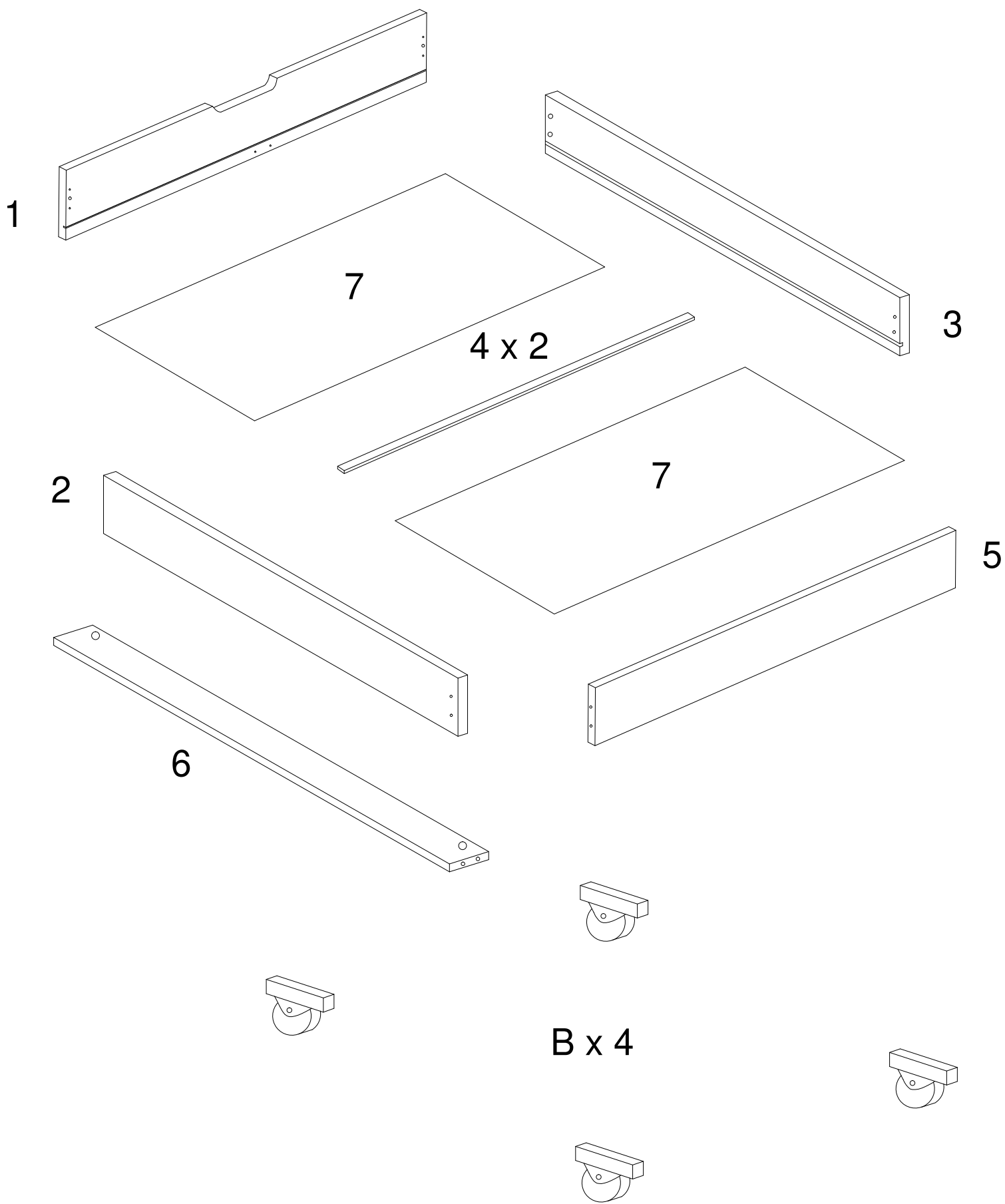
Assembly instructions for the cart, including tool requirements, safety warnings, and personnel needs.

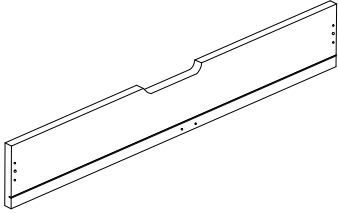
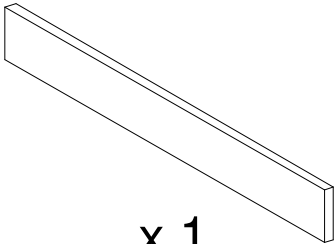
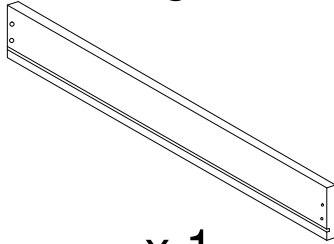
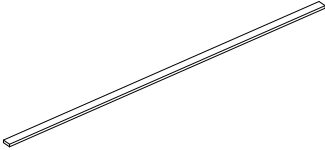
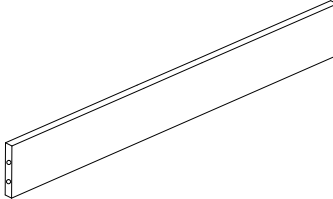
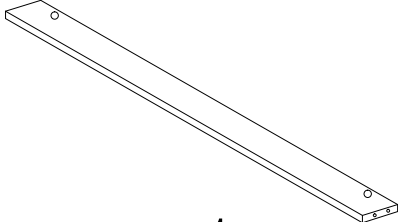
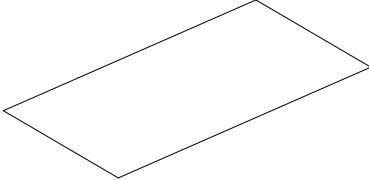

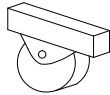
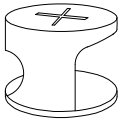

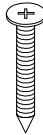
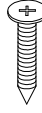
Tools: A circular icon contains a screwdriver. A power drill icon is crossed out with a diagonal line, indicating it is not required.

Warnings: A triangular warning icon with an exclamation mark is shown to the right of the tool icons.

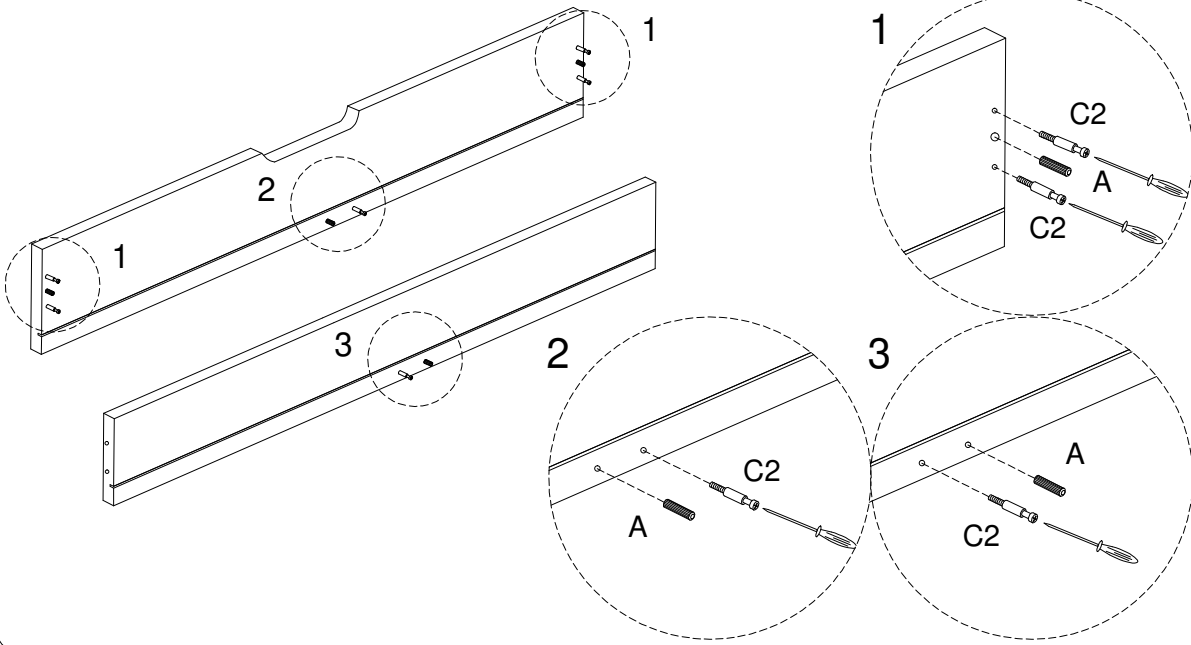
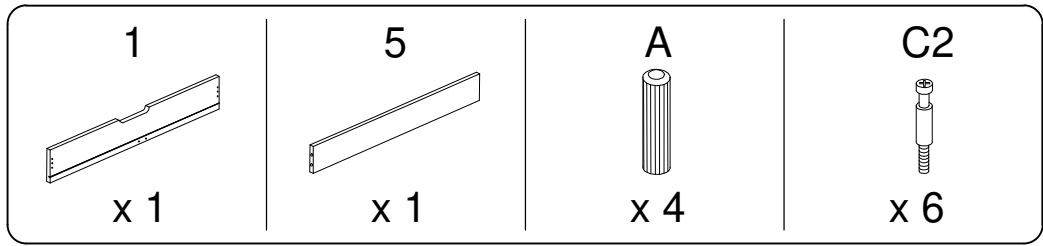
Time: A clock icon is shown to the right of the warning icon, with the number **30'** below it, indicating an estimated assembly time of 30 minutes.

Personnel: A stick figure icon is shown to the right of the clock icon, with the number **2** below it, indicating that two people are required for assembly.

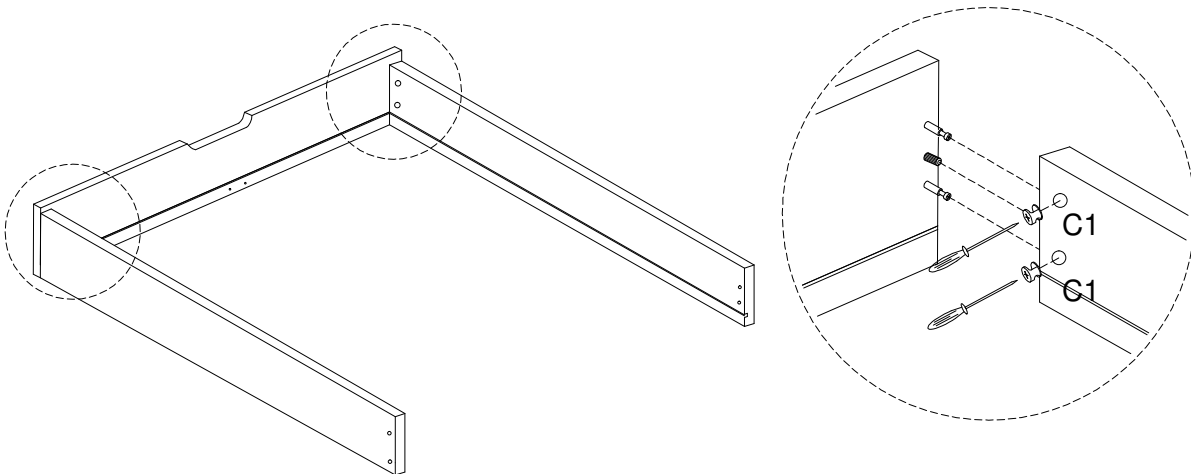
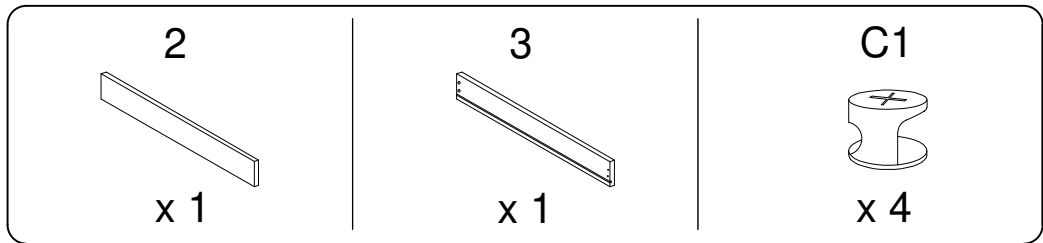


<p>1</p>  <p>x 1</p>	<p>2</p>  <p>x 1</p>	<p>3</p>  <p>x 1</p>	
<p>4</p>  <p>x 2</p>	<p>5</p>  <p>x 1</p>	<p>6</p>  <p>x 1</p>	
<p>7</p>  <p>x 2</p>	<p>A</p>  <p>x 4</p>	<p>B</p>  <p>x 4</p>	
<p>C1</p>  <p>x 6</p>	<p>C2</p>  <p>x 6</p>	<p>D</p>  <p>M4 x 30</p> <p>x 4</p>	<p>E</p>  <p>M4 x 15</p> <p>x 8</p>

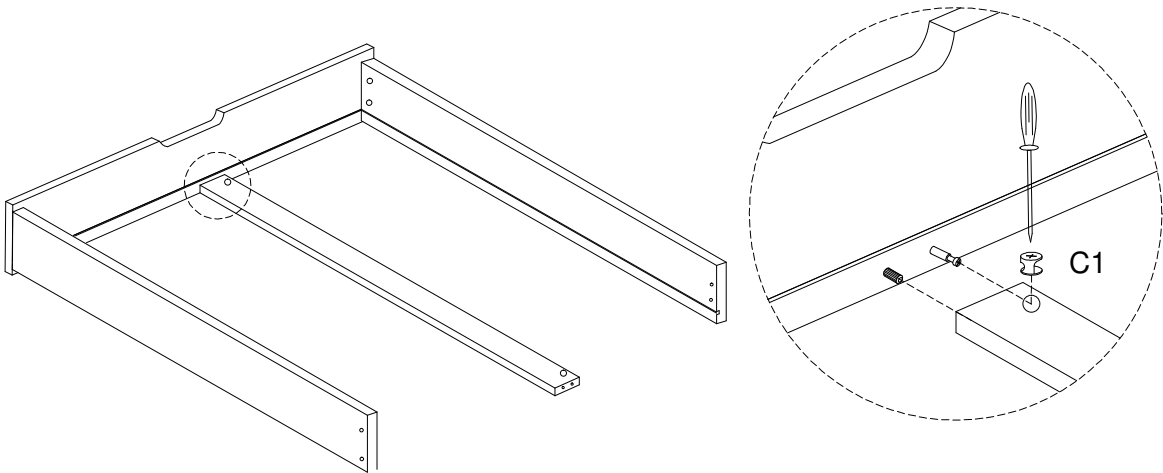
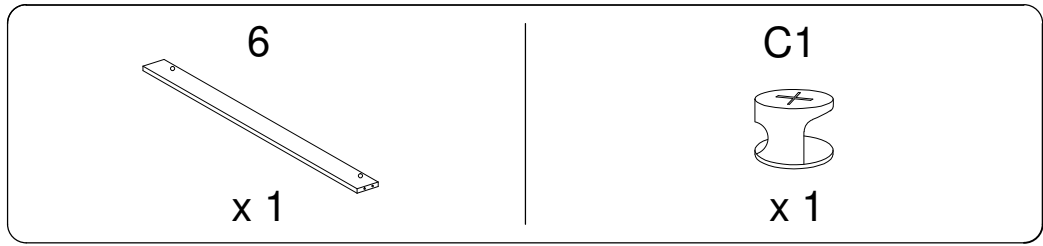
1



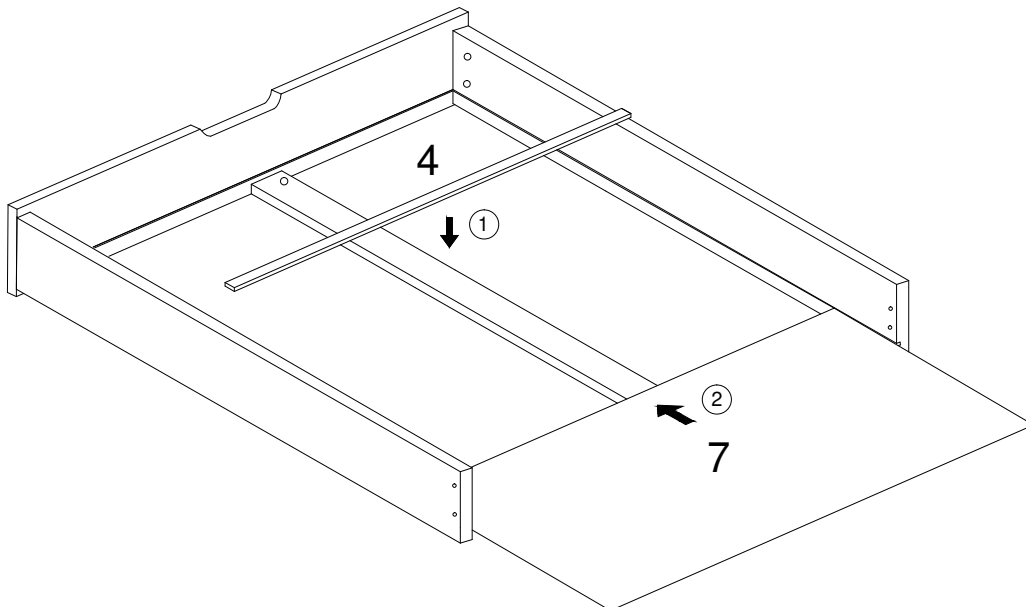
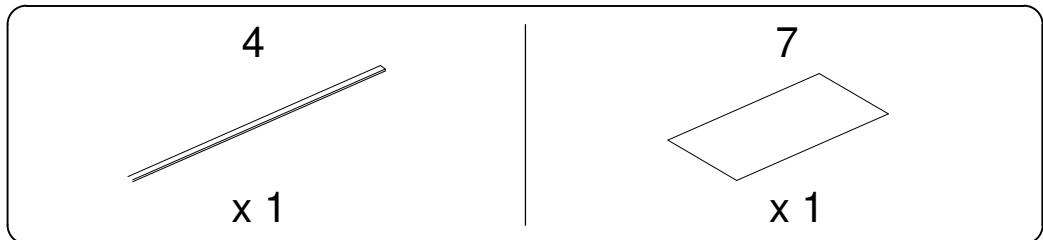
2



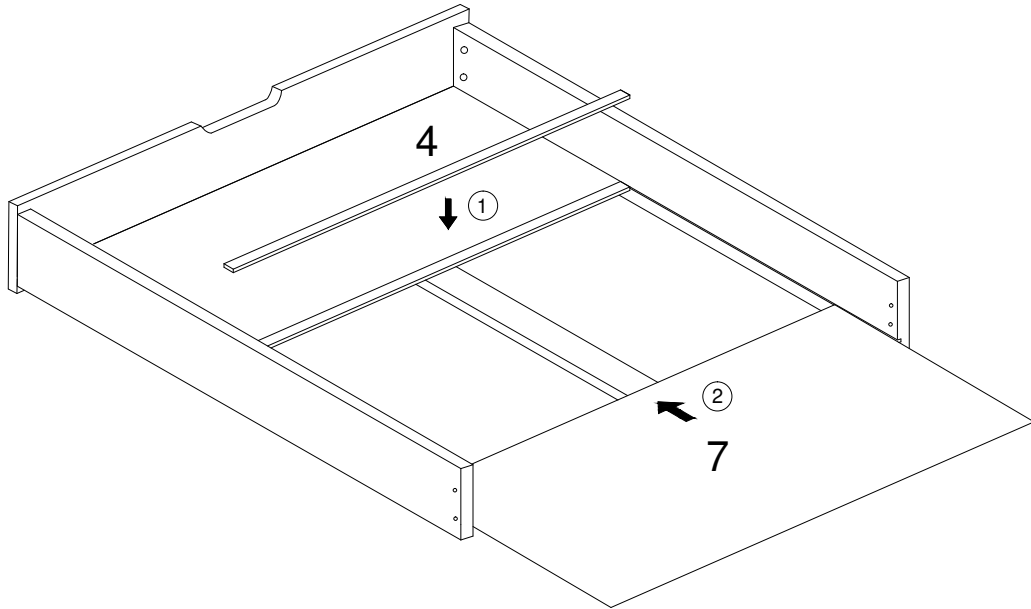
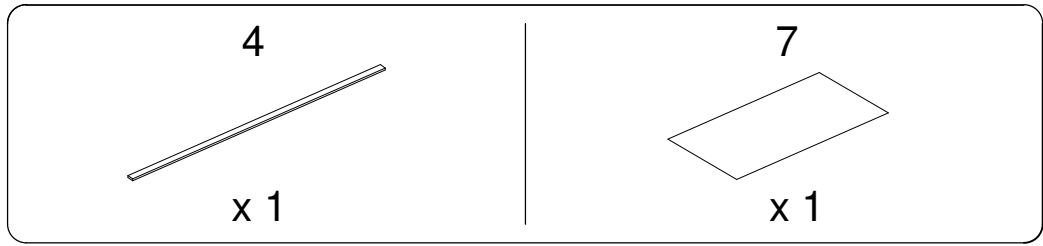
3



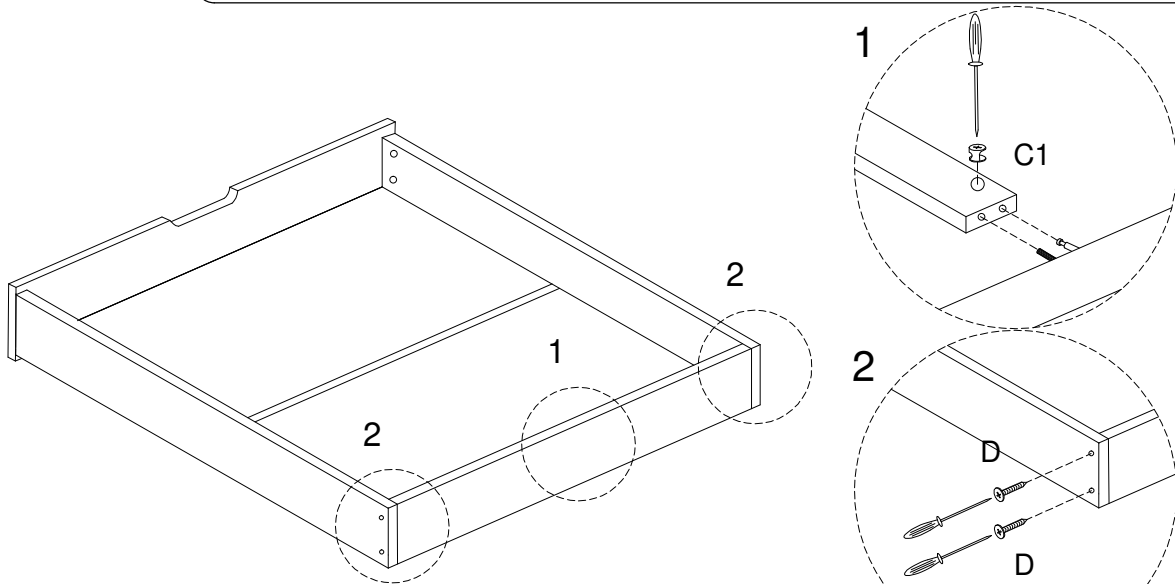
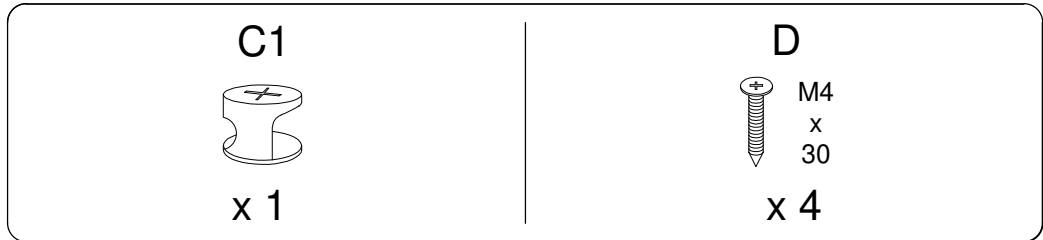
4



5

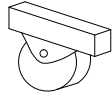


6



7

B



x 4

E



M4
x
15

x 8

