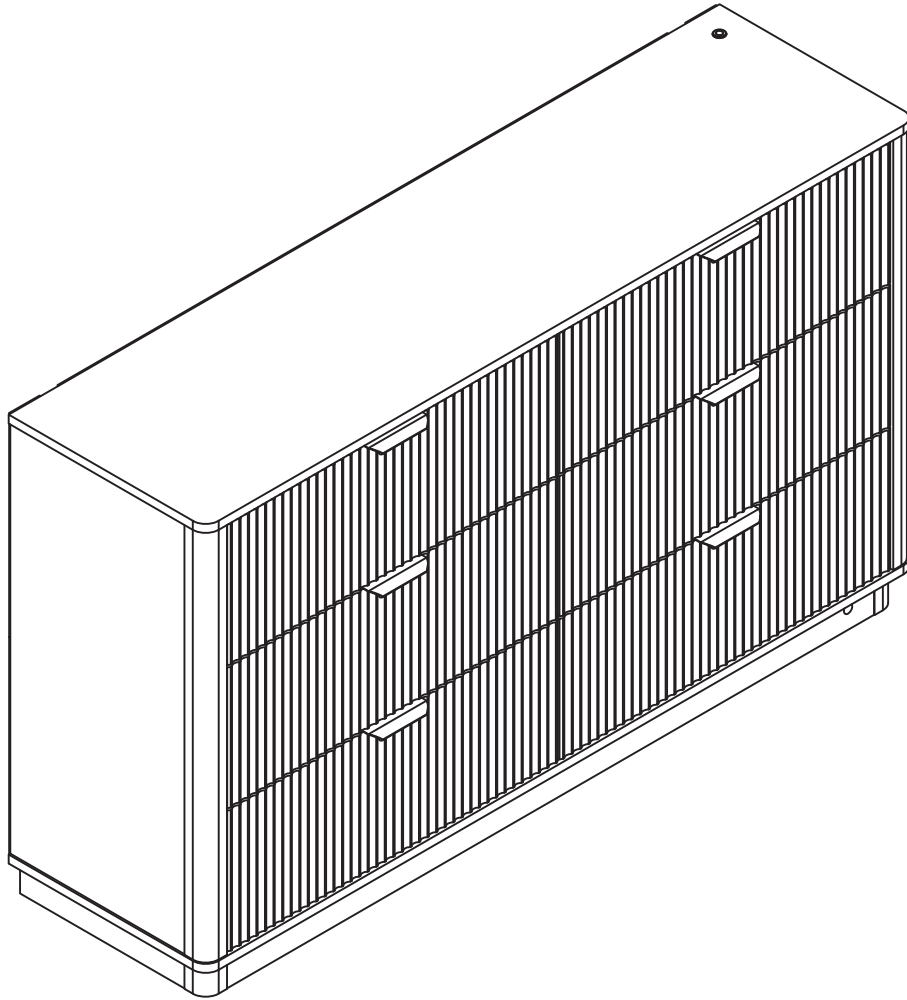
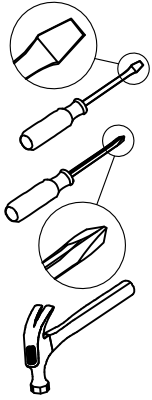

AWF608-SY



Please thoroughly review the installation instructions prior to commencing the installation process. Ensure that all tools are utilized appropriately and with due care. Should you encounter any questions regarding the product or the installation procedure, do not hesitate to contact us. We will make every effort to assist you in resolving any issues.

We aim to provide you with a distinctive experience.

Before You Start

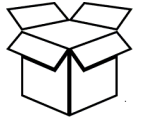


- ✓ Read through each step carefully and follow the proper order
- ✓ Separate and count all your parts and hardware
- ✓ Give yourself enough room for the assembly process
- ✓ Have the following tools: Flat Head Screwdriver, #2 Phillips Head Screwdriver and Hammer
- ✓ Caution: If using a power drill or power screwdriver for screwing, please be aware of to slow down and stop when screw is tight. Failure to do so may result in stripping the screw. (Assembly speed can be increased by using electric screwdriver)

Helpful Hints

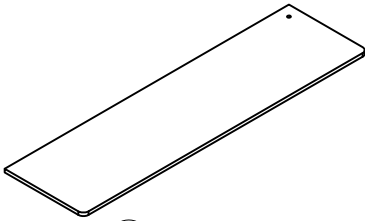
PEOPLE NEEDED FOR ASSEMBLY: 1-2

- Open your item in the area you plan to keep it to avoid excessive heavy lifting.
- Identify, sort and count the parts before attempting assembly.
- Compression dowels are lightly tapped in with a hammer.
- Slides are labeled with an **R** (right) and **L** (left) for proper placement.
- Make sure to always face the point on the top of the Cam Lock towards the outer edge.
- If there is a back panel in the package, please install it to make sure your unit is complete and sturdy.
- Please fix all the screws provided for the back panel which can enhance product stability. If it is difficult to fix it when tightening, it can be fixed with the help of a hammer and then tightened.
- Do NOT use harsh chemicals or abrasive cleaners on this item.
- Never push, pull, or drag your furniture.

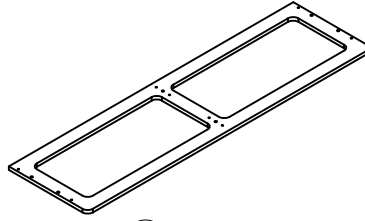


Board Identification

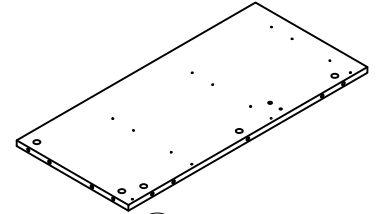
Not actual size



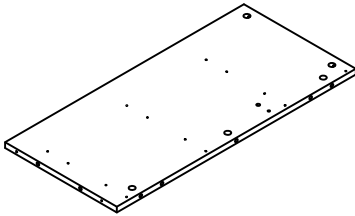
①
TOP
Qty:1



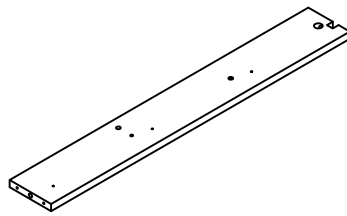
②
BOTTOM
Qty:1



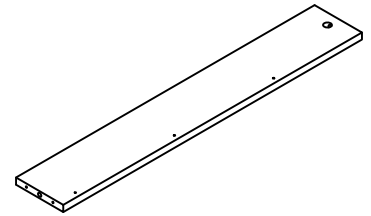
③
LEFT SIDE PANEL
Qty:1



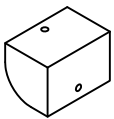
④
RIGHT SIDE PANEL
Qty:1



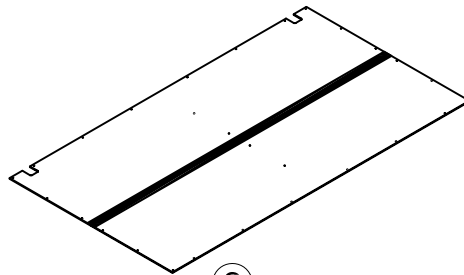
⑤
FRONT RAIL
Qty:1



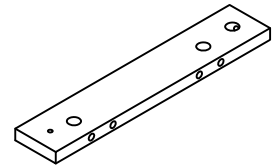
⑥
BACK RAIL
Qty:1



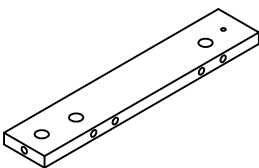
⑦
FOOT
Qty:2



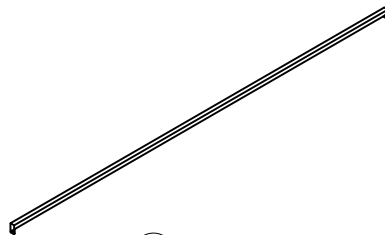
⑧
BACK PANEL
Qty:1



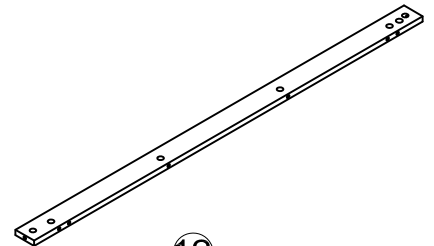
⑨
LEFT RAIL
Qty:1



⑩
RIGHT RAIL
Qty:1



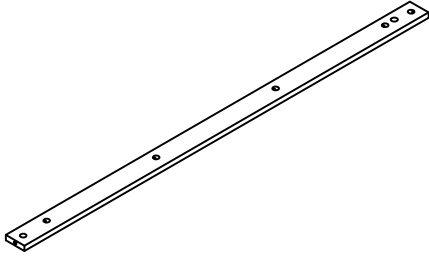
⑪
RAIL
Qty:1



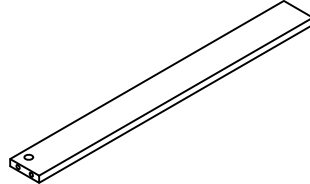
⑫
FRONT RAIL
Qty:1

Board Identification

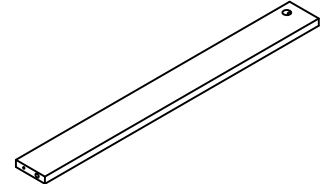
Not actual size



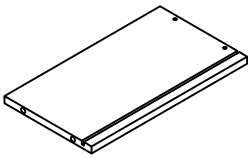
⑬
BACK RAIL
Qty:1



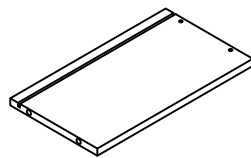
⑭
LEFT RAIL
Qty:1



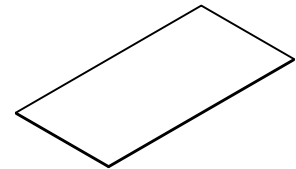
⑮
RIGHT RAIL
Qty:1



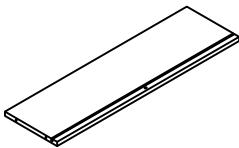
⑯
DRAWER LEFT SIDE
Qty:6



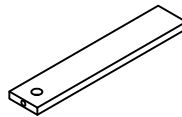
⑰
DRAWER RIGHT SIDE
Qty:6



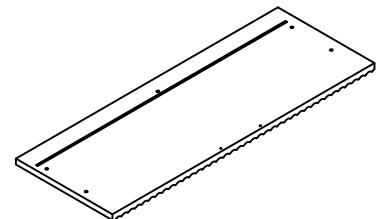
⑱
DRAWER BOTTOM
Qty:6



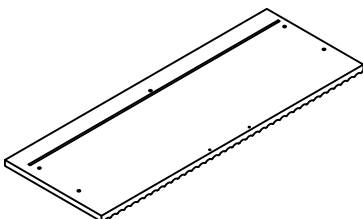
⑲
DRAWER BACK
Qty:6



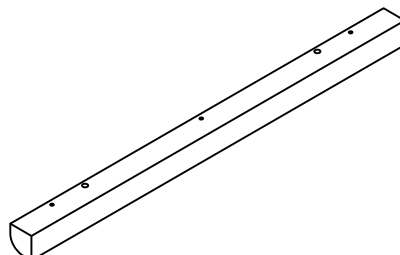
⑳
RAIL
Qty:6



㉑
LEFT DRAWER FRONT
Qty:3

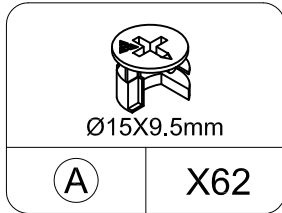


㉒
RIGHT DRAWER FRONT
Qty:3

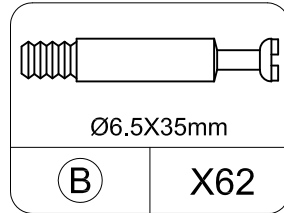


㉓
RAIL
Qty:2

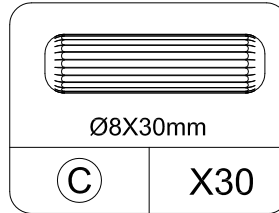
Part List



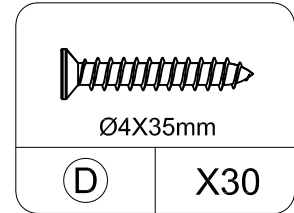
CAM LOCK
spare:2



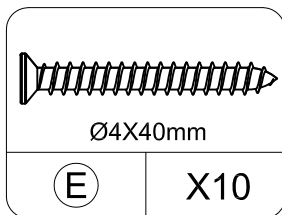
CAM BOLT
spare:2



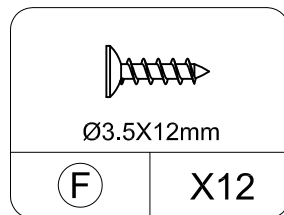
WOODEN DOWEL
spare:2



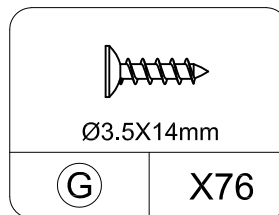
SCREW
spare:2



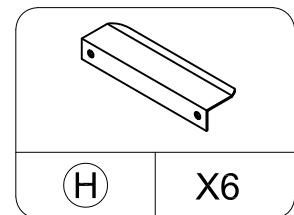
SCREW
spare:1



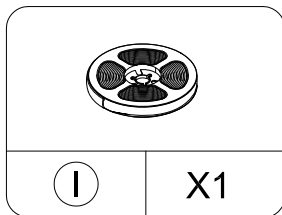
SCREW
spare:1



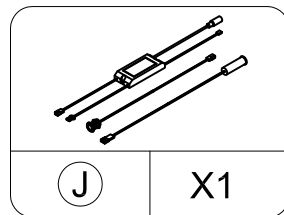
SCREW
spare:3



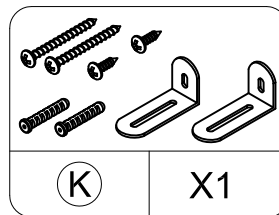
HANDLE



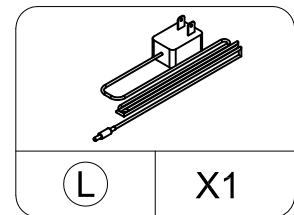
LIGHT STRIP



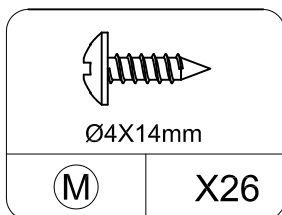
POWER BUTTON



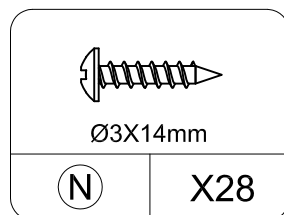
ANTI-TIPPING HARDWARE



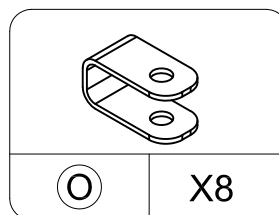
ADAPTER



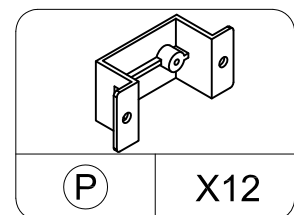
SCREW
spare:2



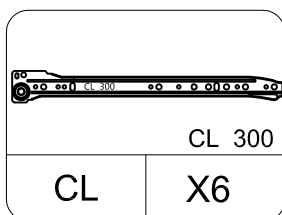
SCREW
spare:2



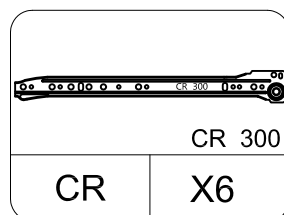
U-SHAPED PLASTIC CLIP
spare:1



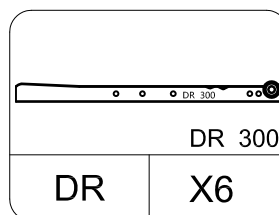
U-BRACKET



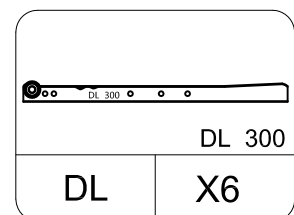
LEFT CABINET MEMBER



RIGHT CABINET MEMBER



RIGHT DRAWER RUNNER

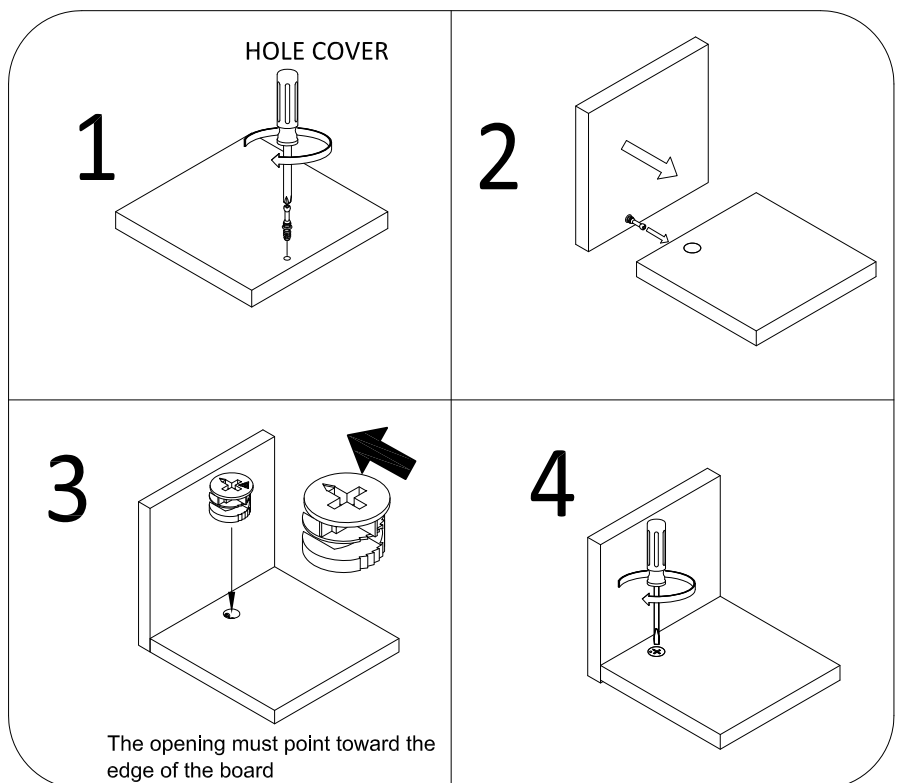


LEFT DRAWER RUNNER

Part List

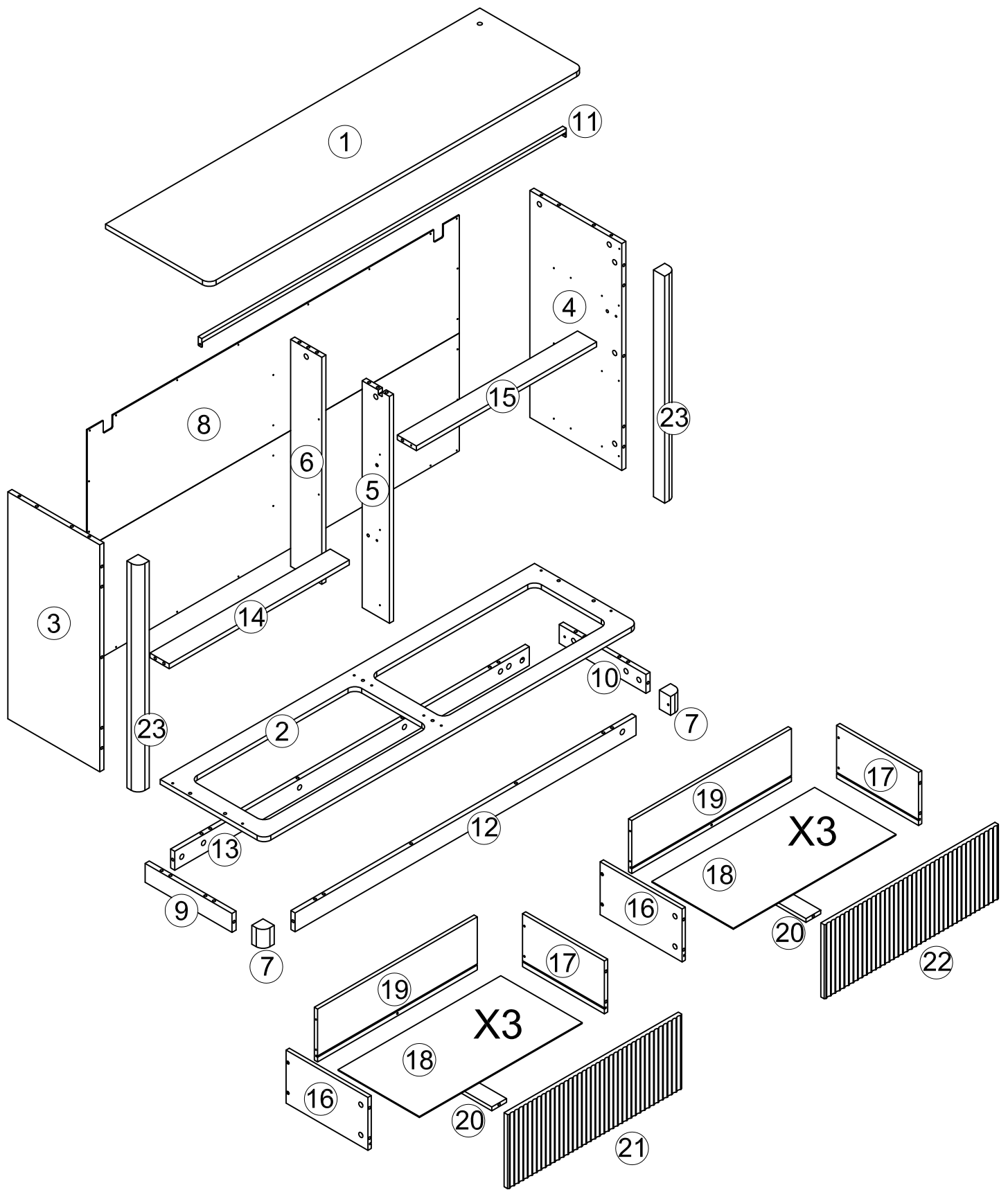
Cam Lock Fastening System

Insert the cam bolt into the hole first, then insert the cam lock and lock it.

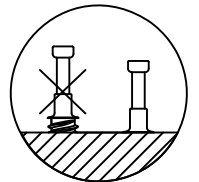
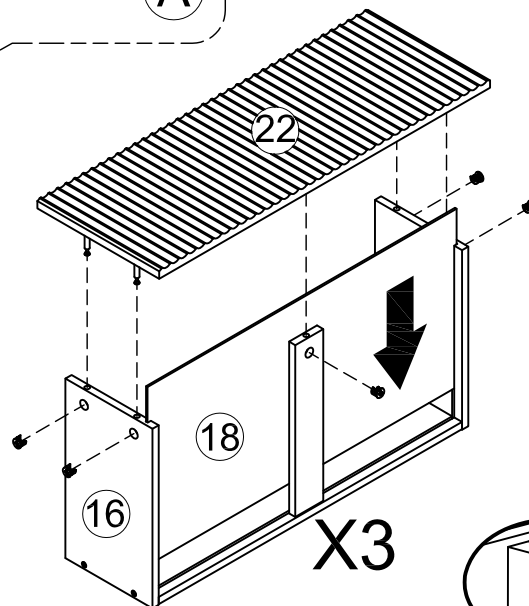
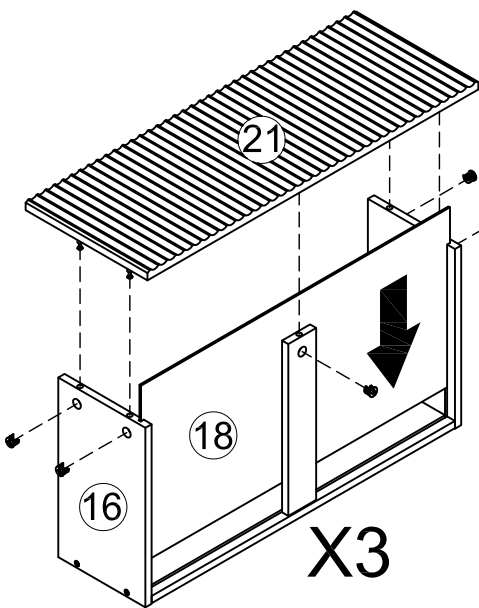
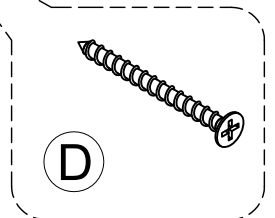
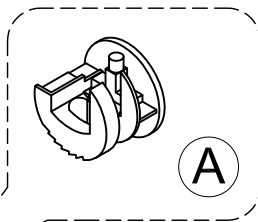
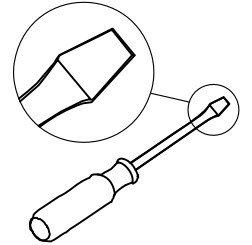
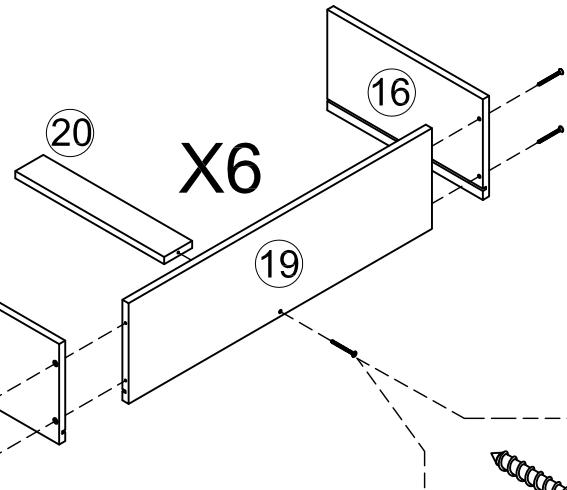
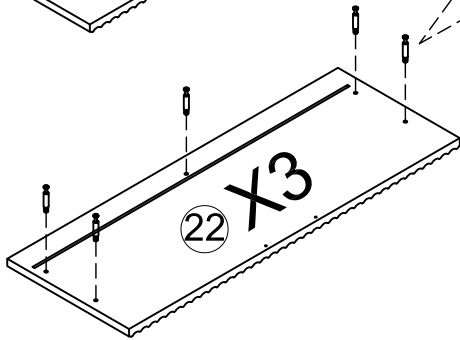
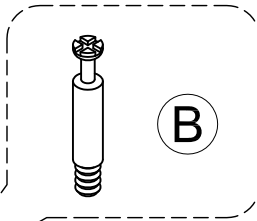
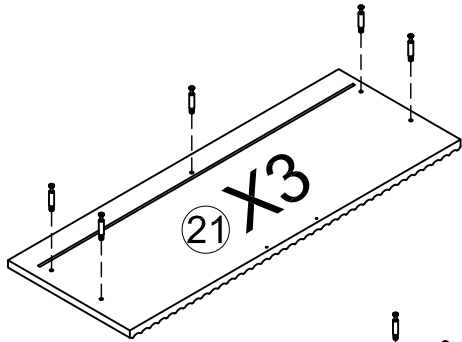
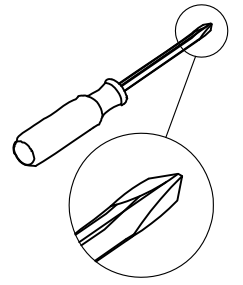
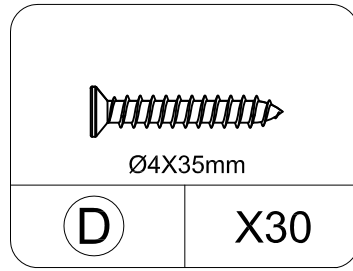
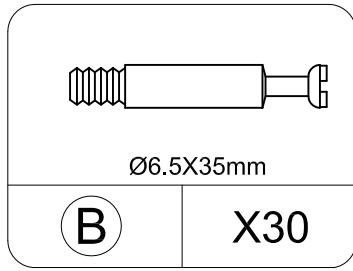
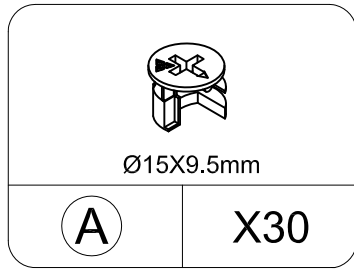


Board Identification

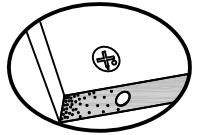
Not actual size



STEP 1

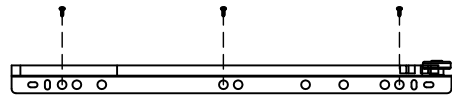
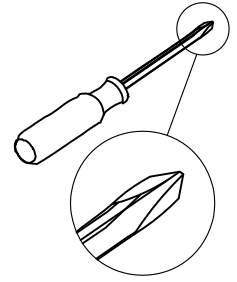
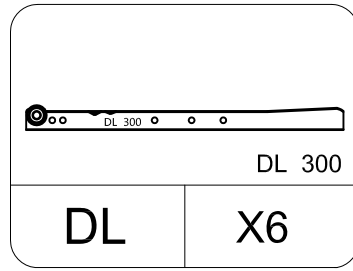
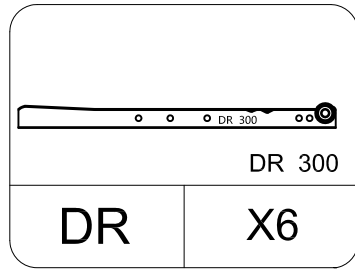
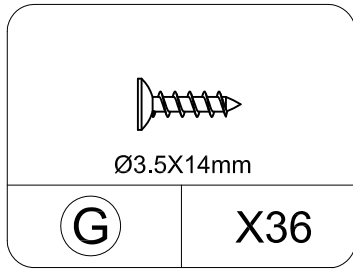


Insert the cam bolt into the hole first, then insert the cam lock and lock it.

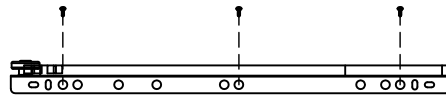


Proper orientation of CAM LOCK

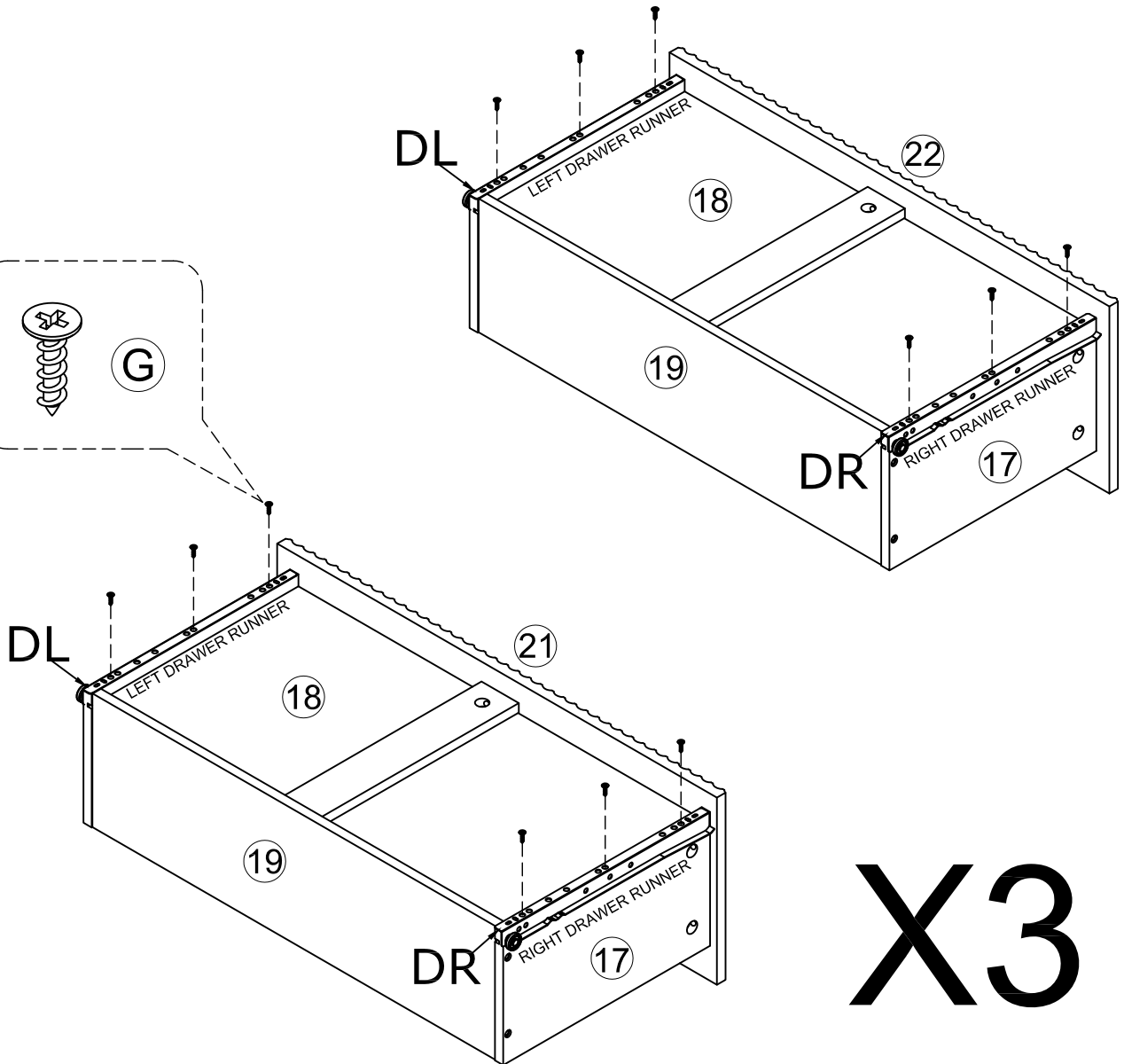
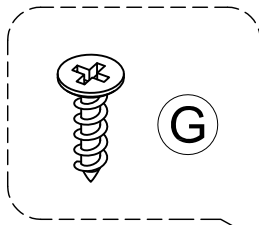
STEP 2



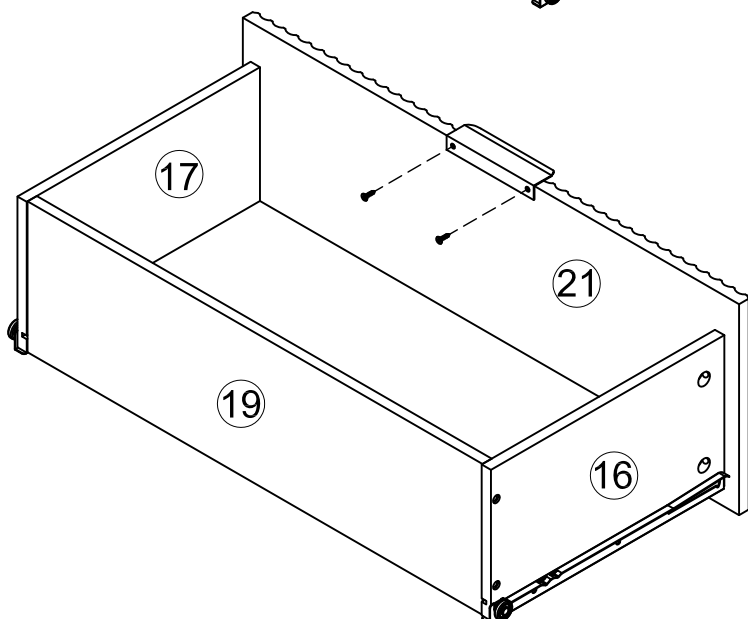
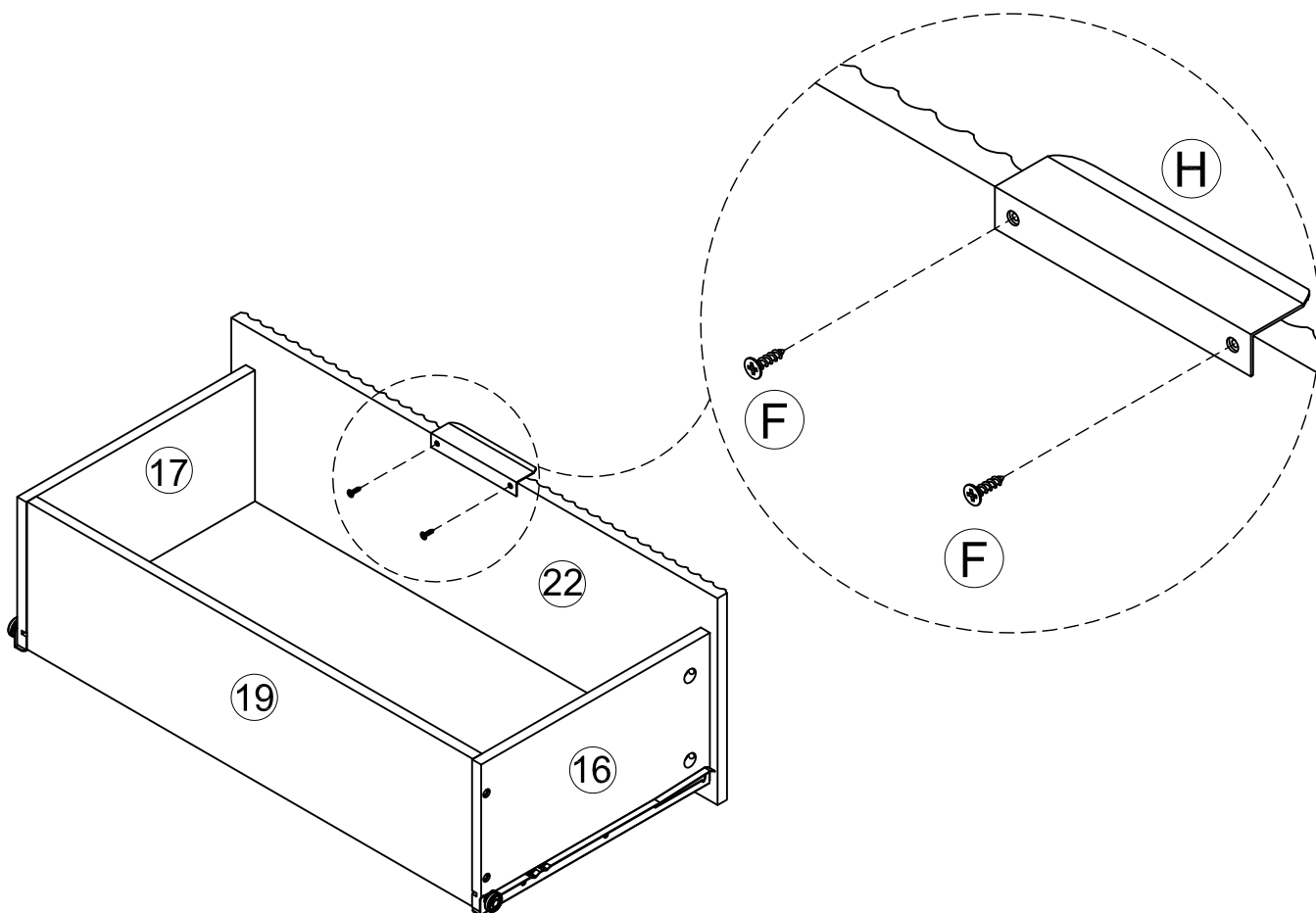
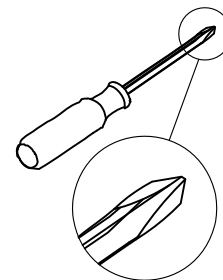
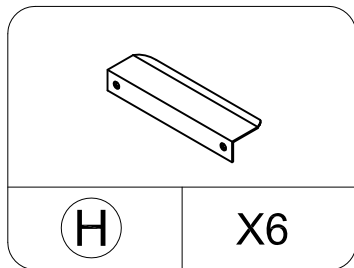
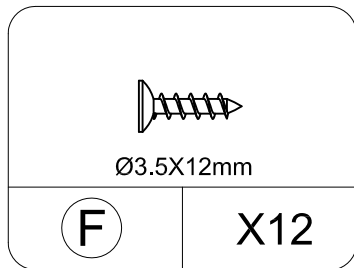
DR



DL

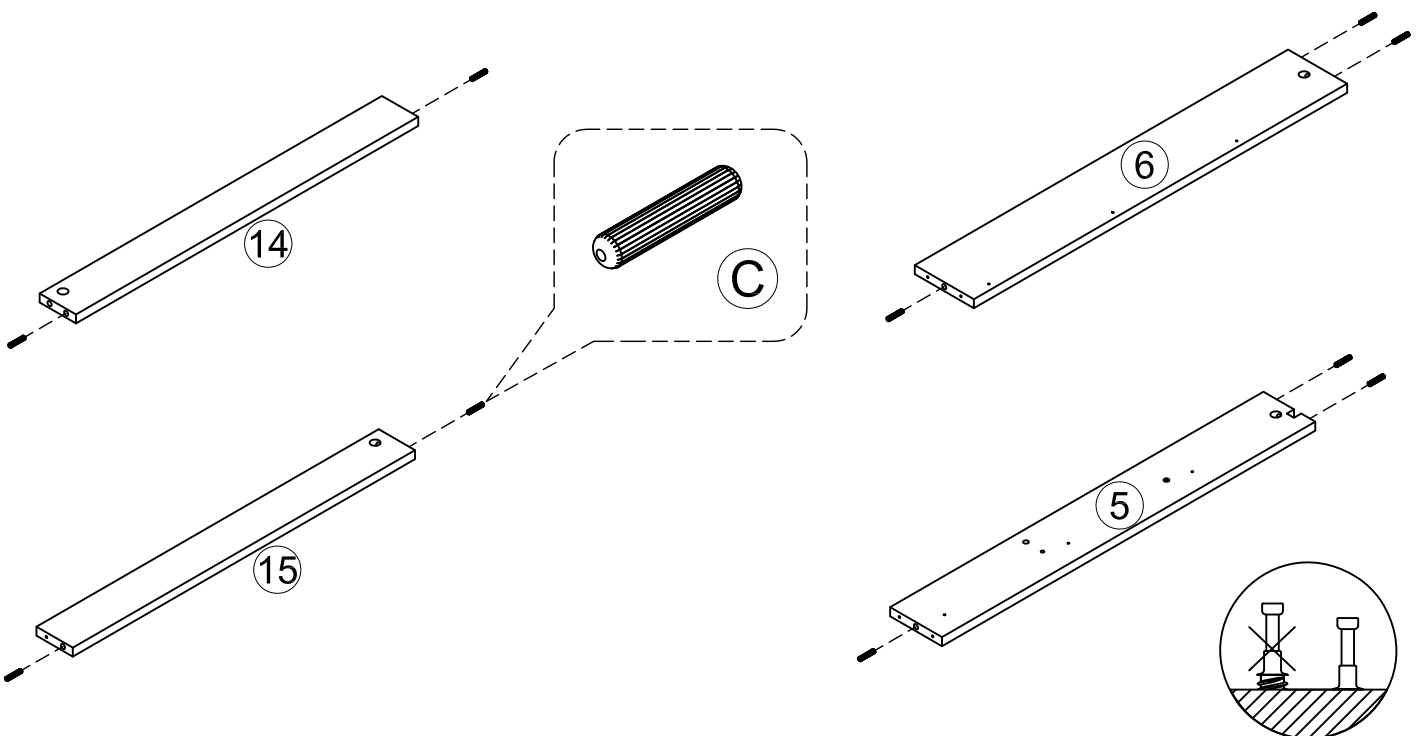
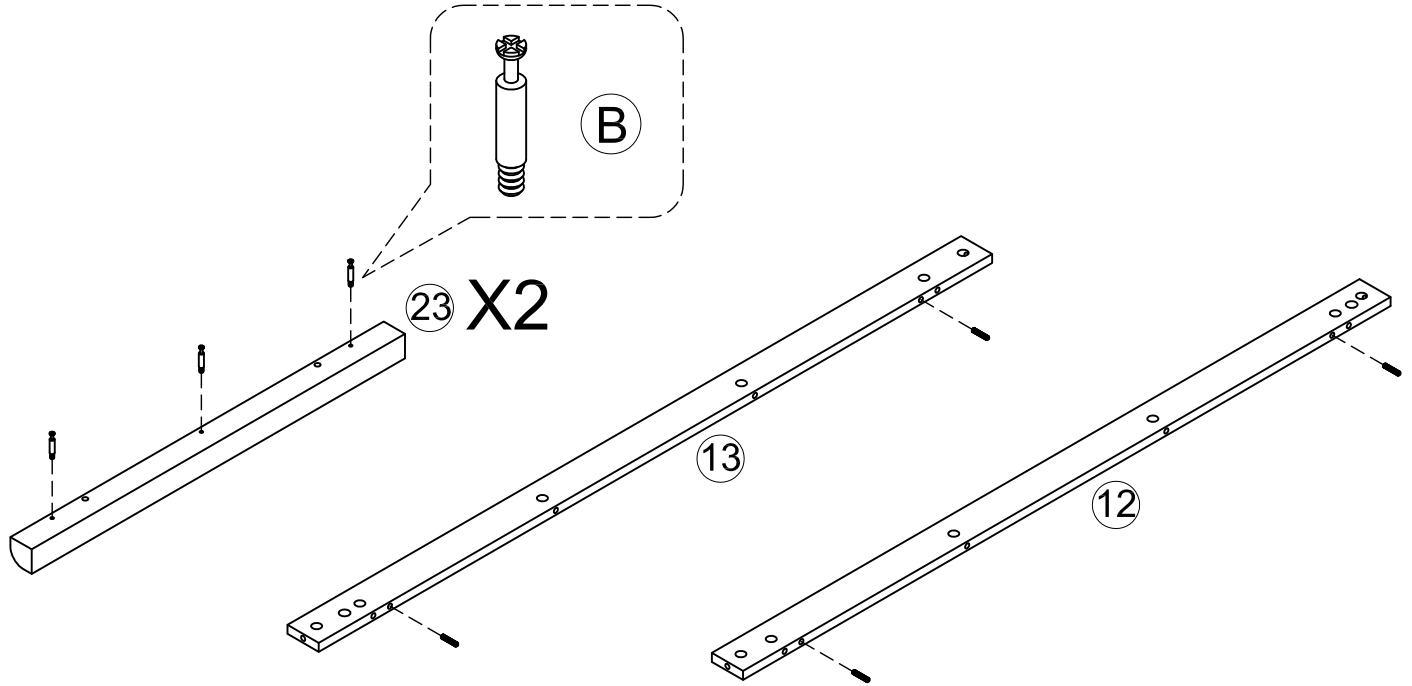
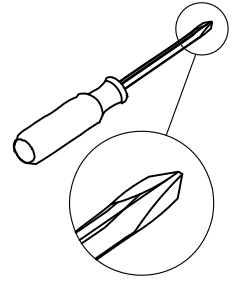
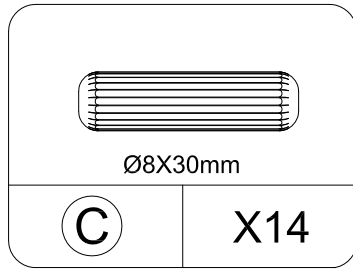
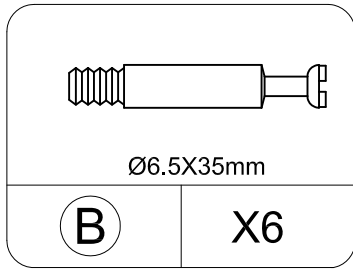


STEP 3

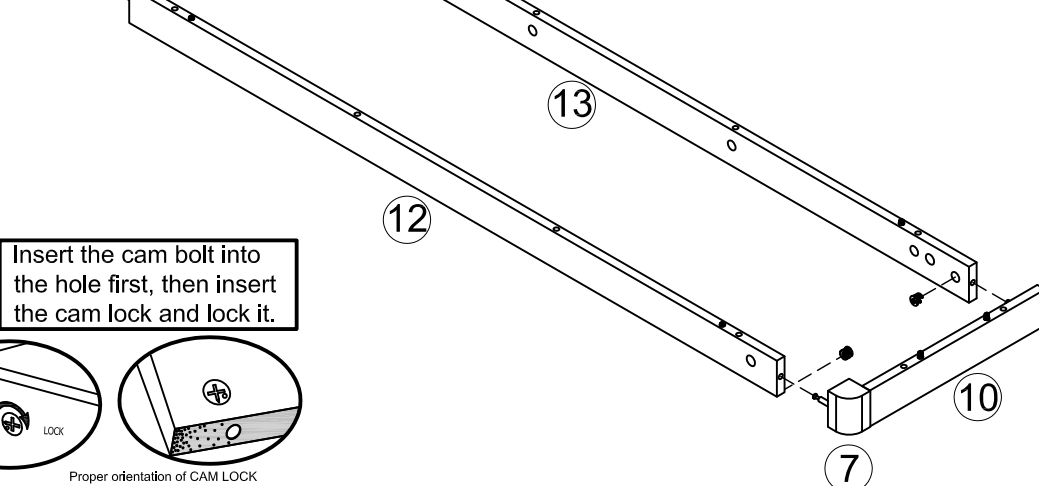
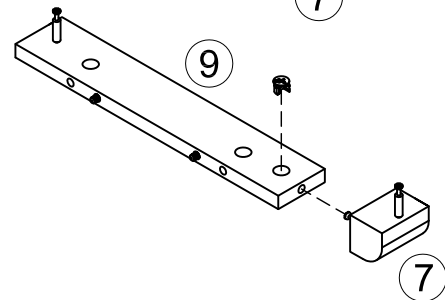
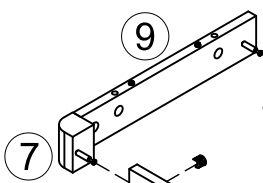
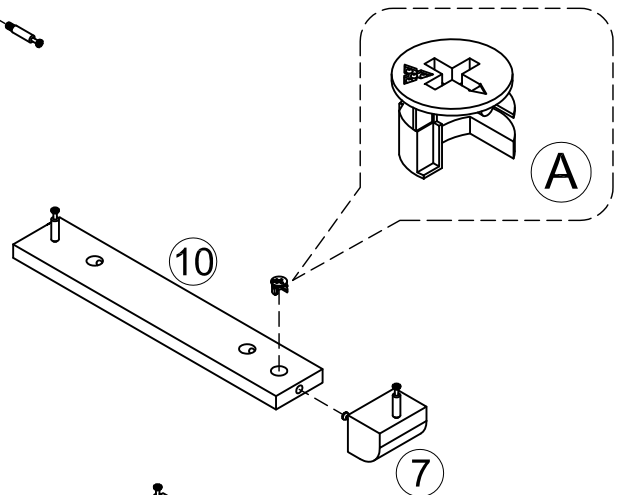
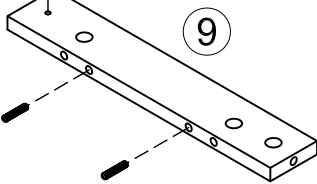
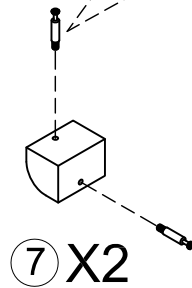
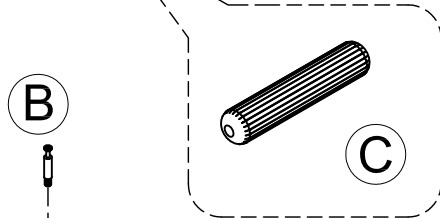
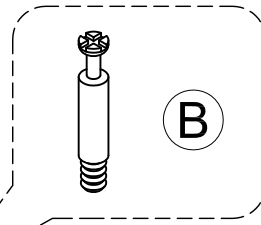
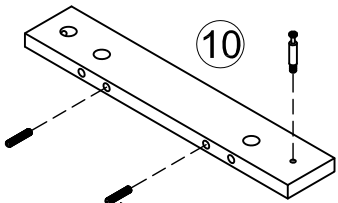
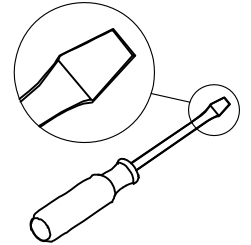
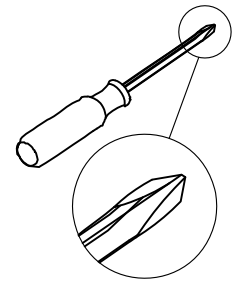
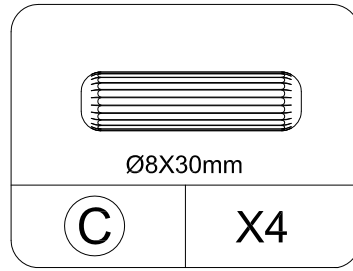
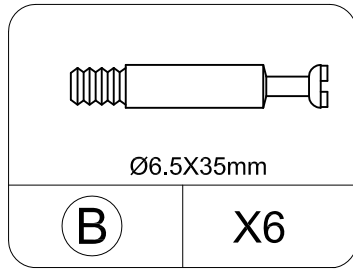
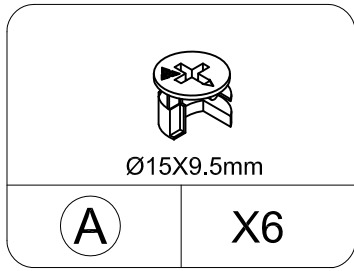


X3

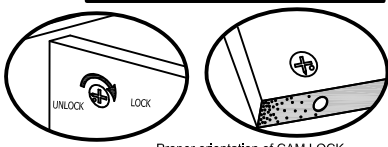
STEP4



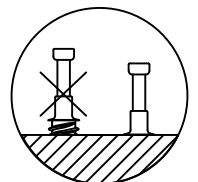
STEP 5



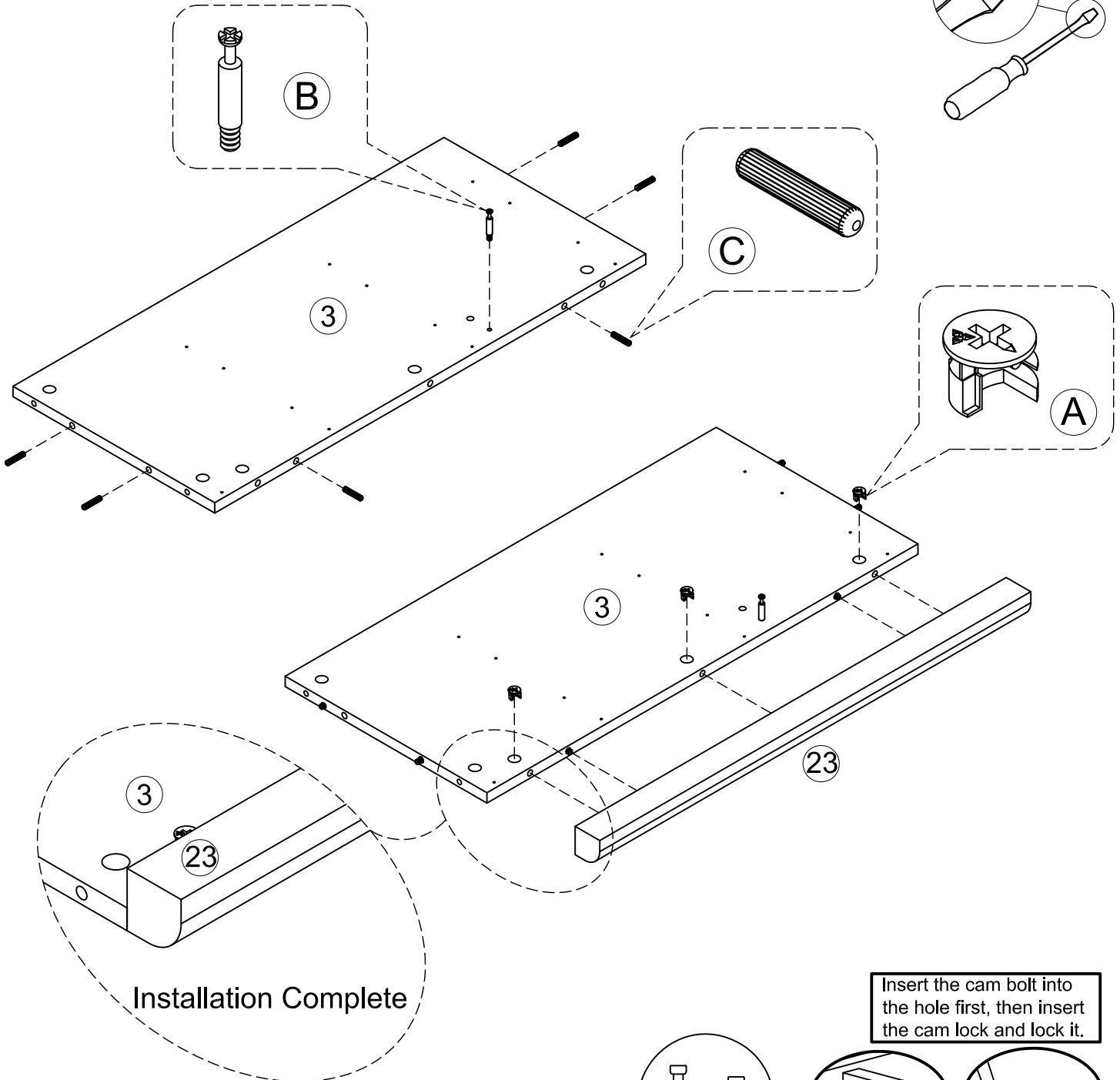
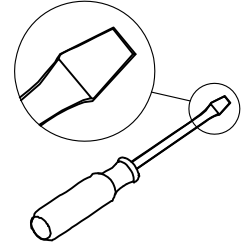
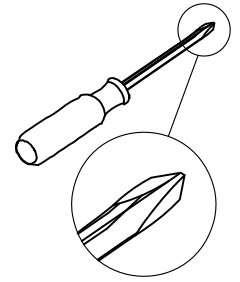
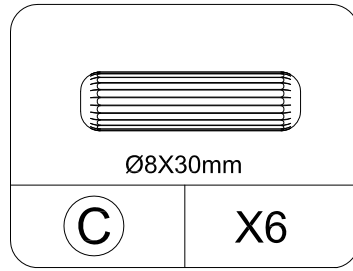
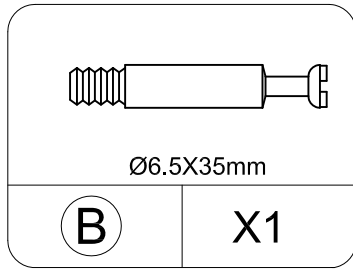
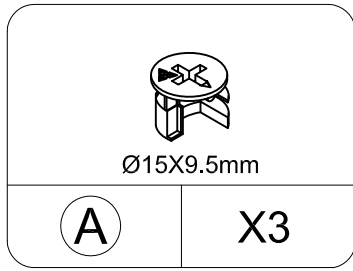
Insert the cam bolt into the hole first, then insert the cam lock and lock it.



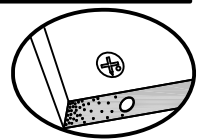
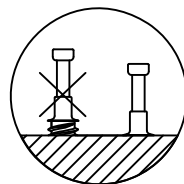
Proper orientation of CAM LOCK



STEP 6

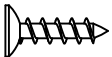


Insert the cam bolt into the hole first, then insert the cam lock and lock it.




Proper orientation of CAM LOCK

STEP 7



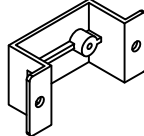
Ø3.5X14mm

G X9




Ø4X14mm

M X12

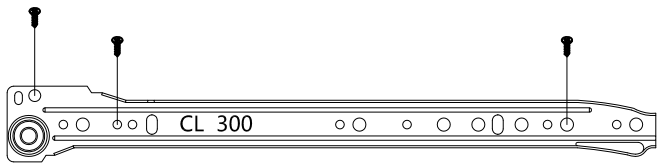


P X6

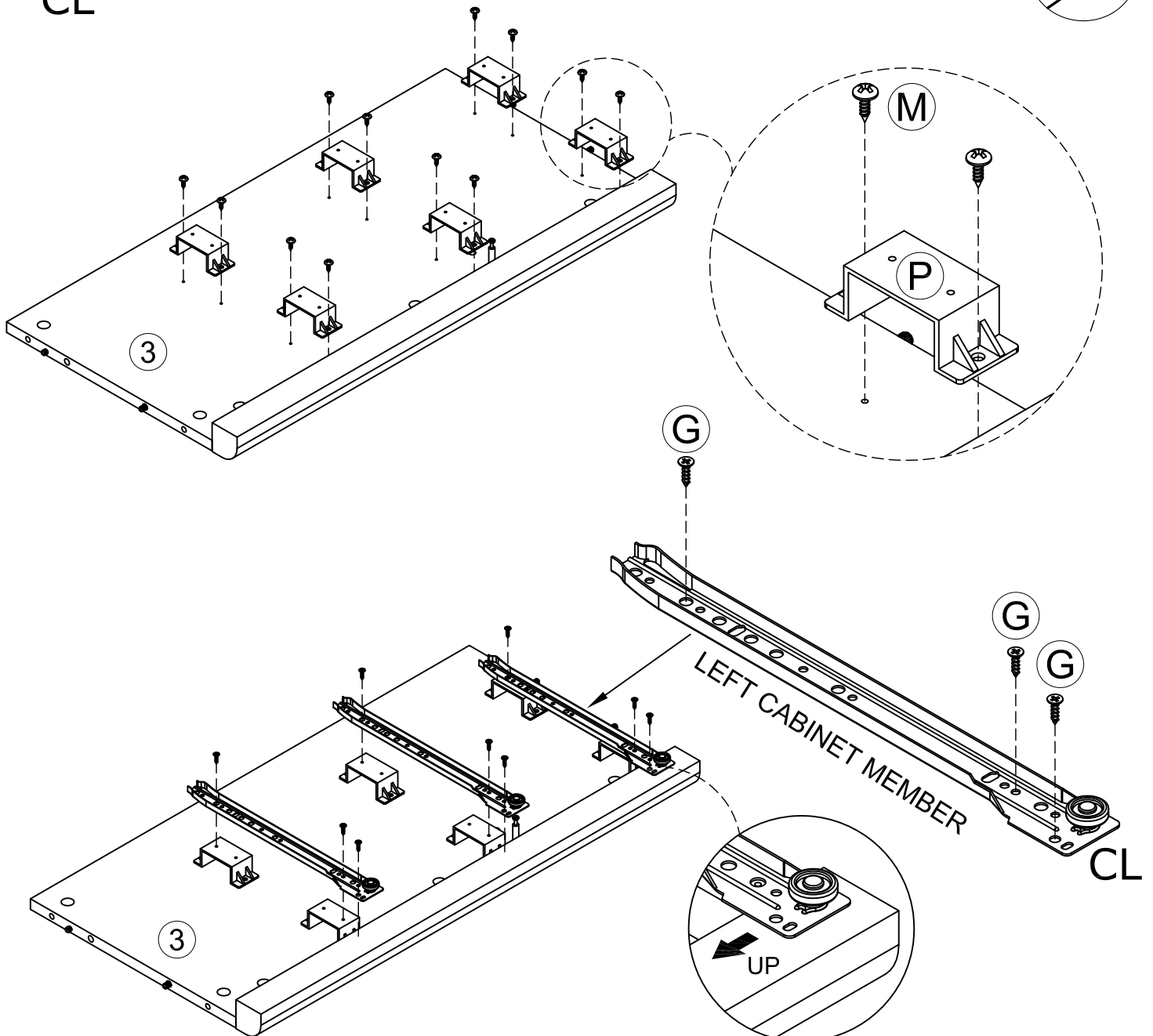
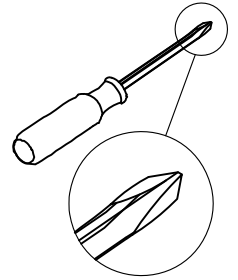


CL 300

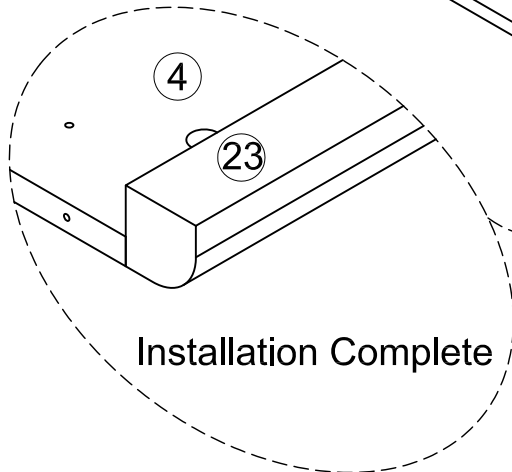
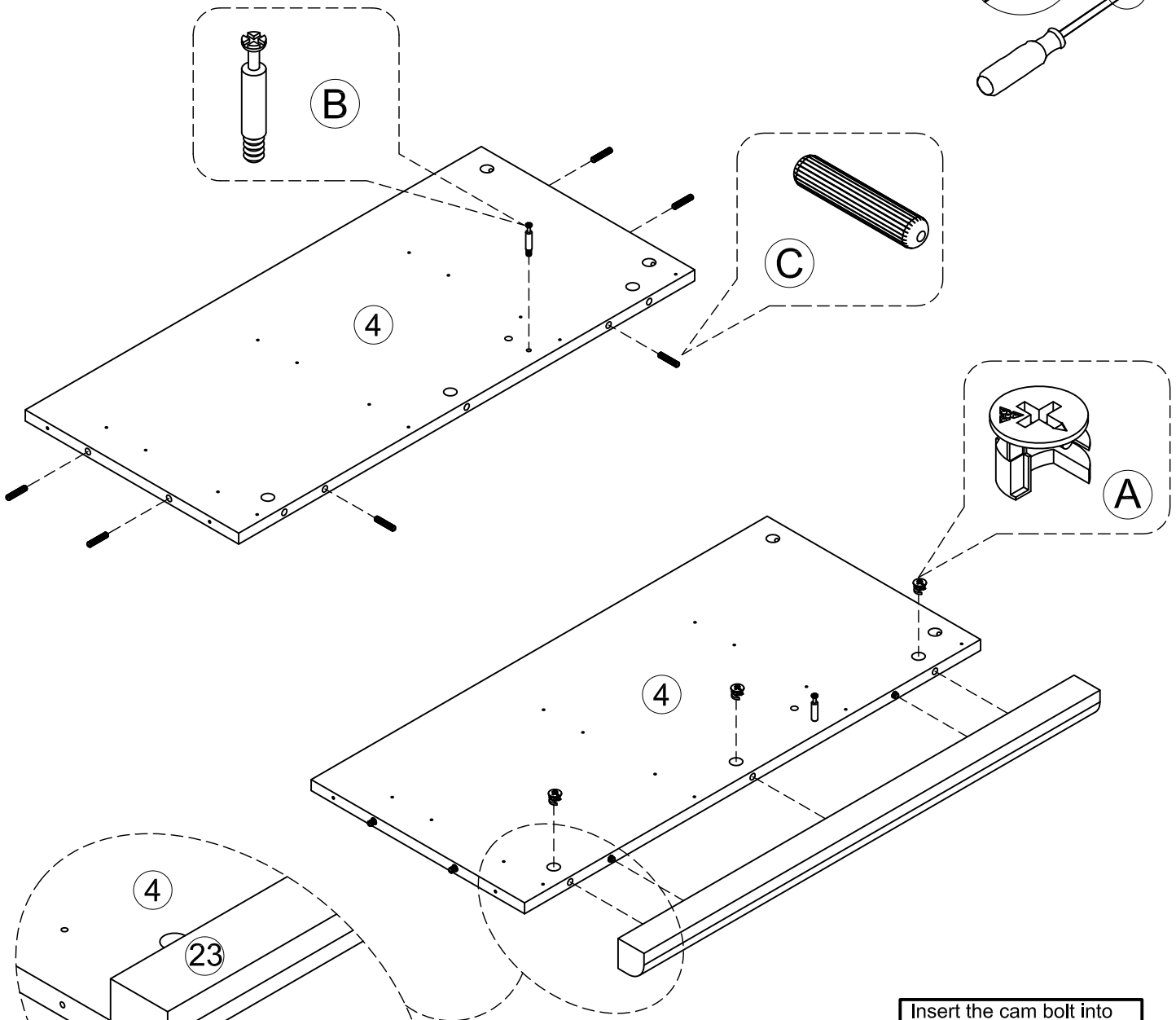
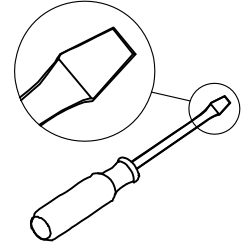
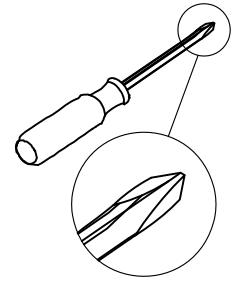
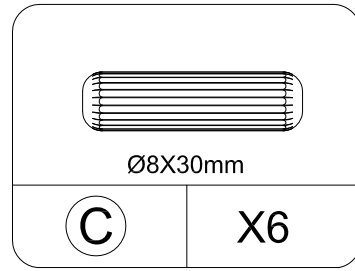
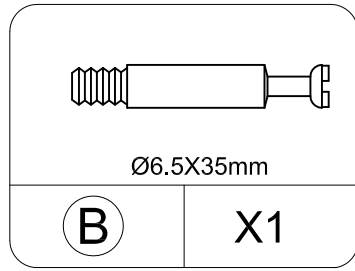
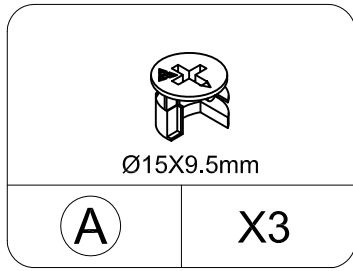
CL X3



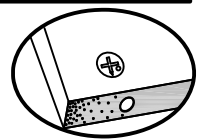
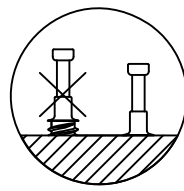
CL



STEP 8

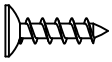


Insert the cam bolt into the hole first, then insert the cam lock and lock it.



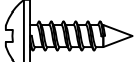
Proper orientation of CAM LOCK

STEP 9



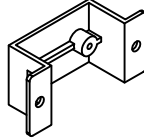
Ø3.5X14mm

G X9




Ø4X14mm

M X12

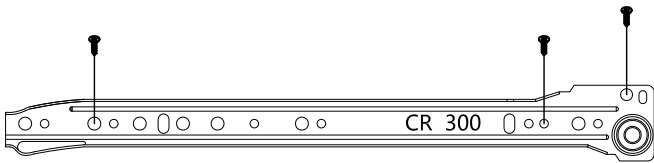


P X6

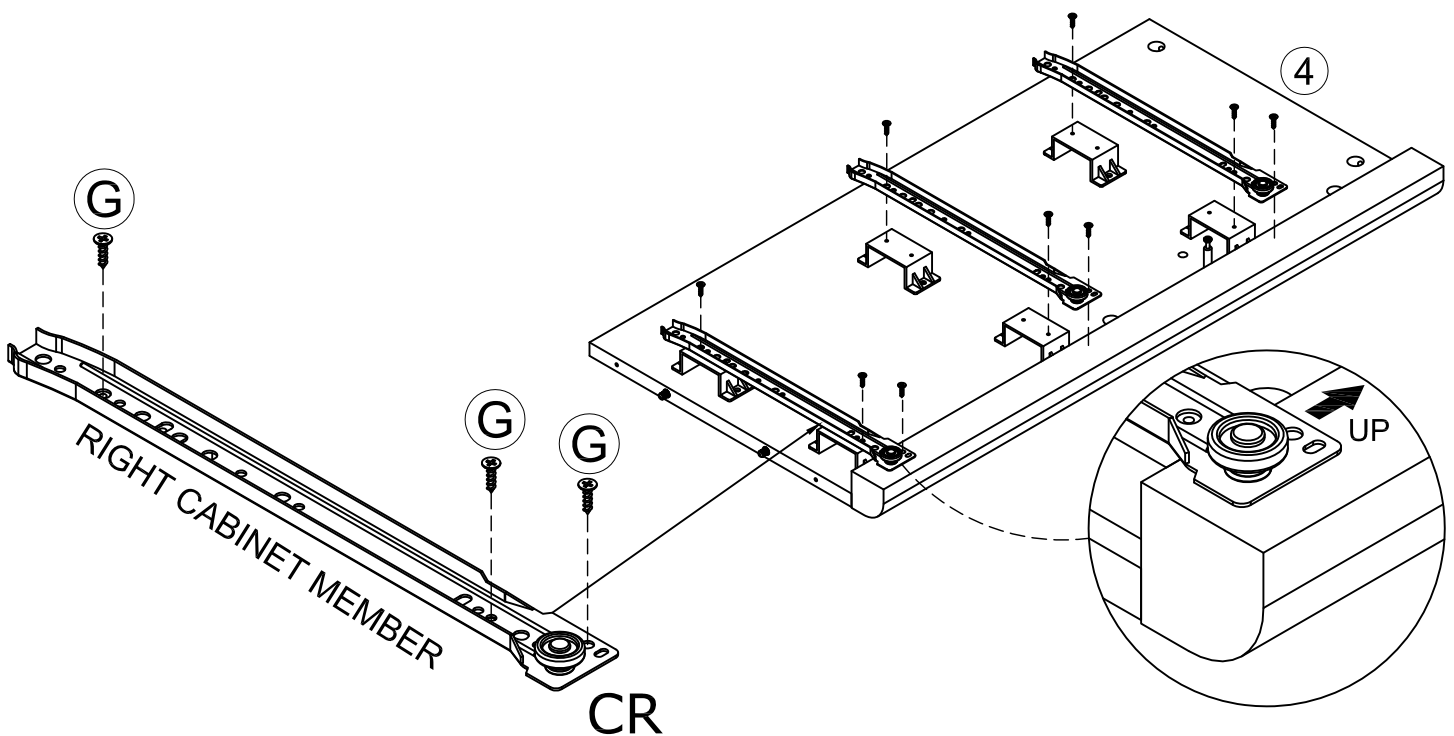
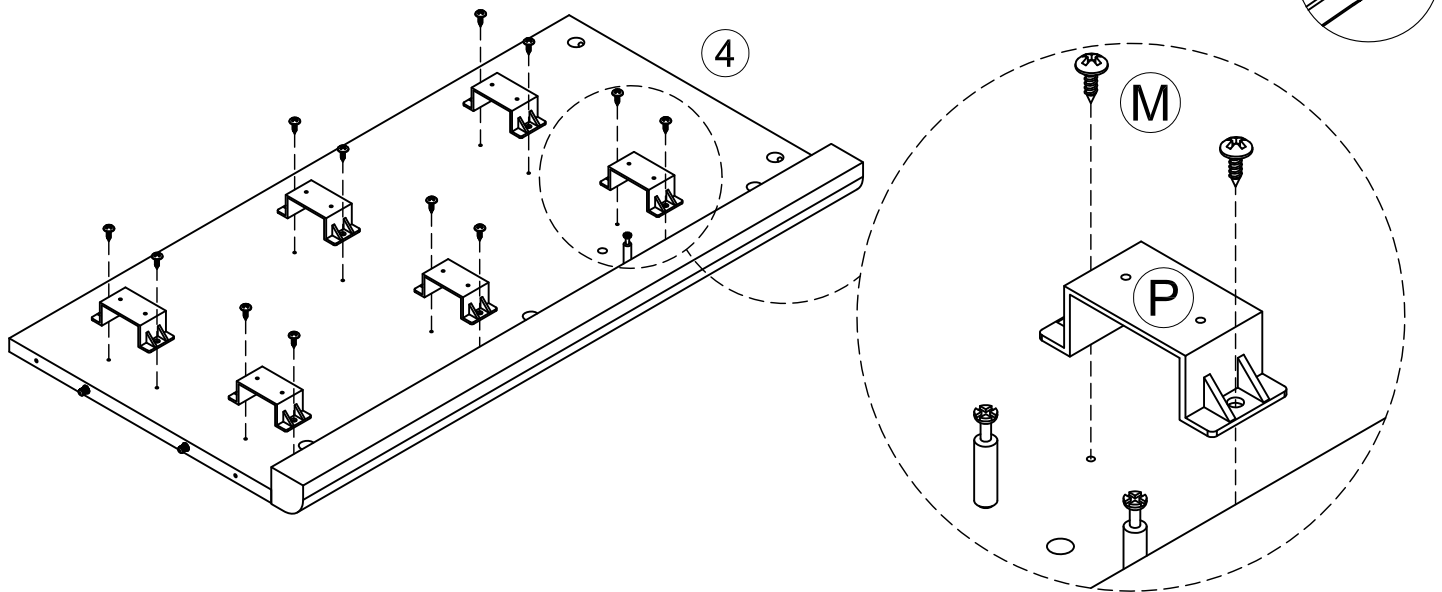
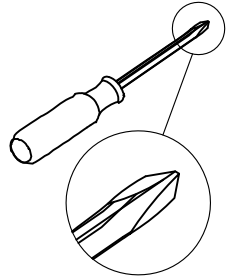


CR 300

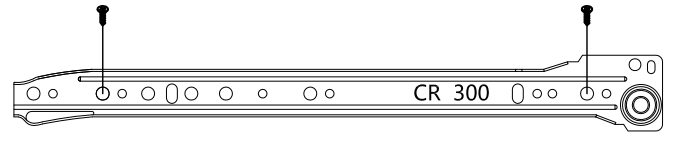
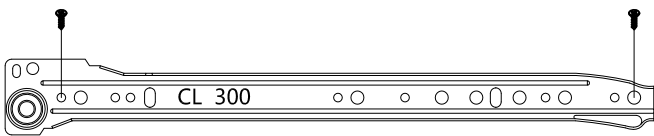
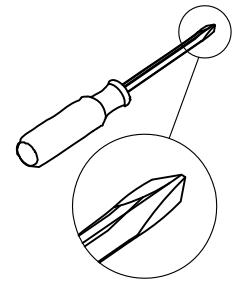
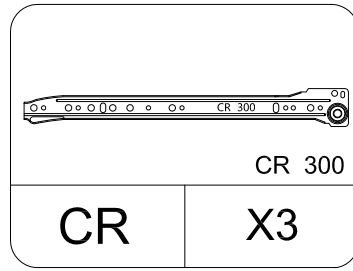
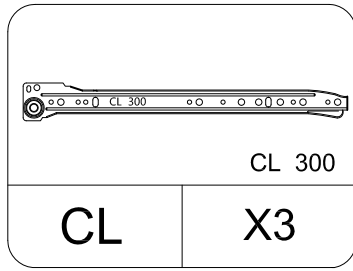
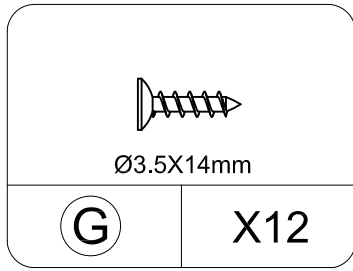
CR X3



CR

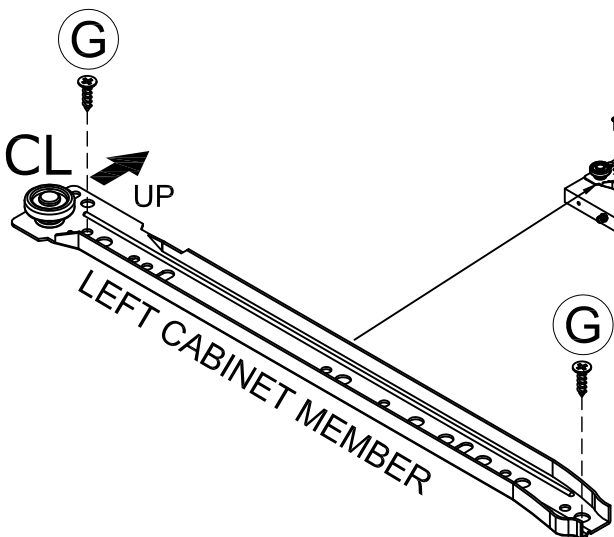
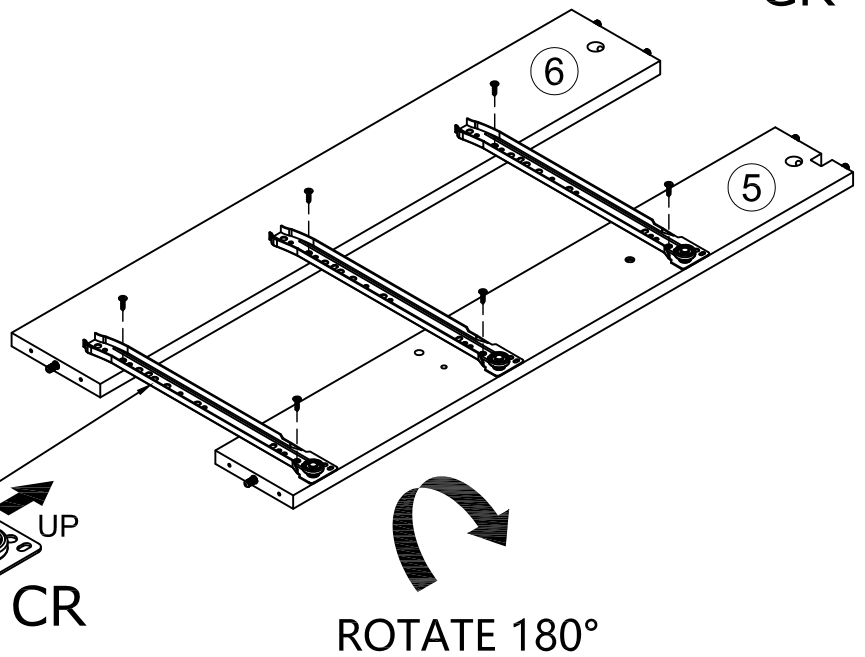
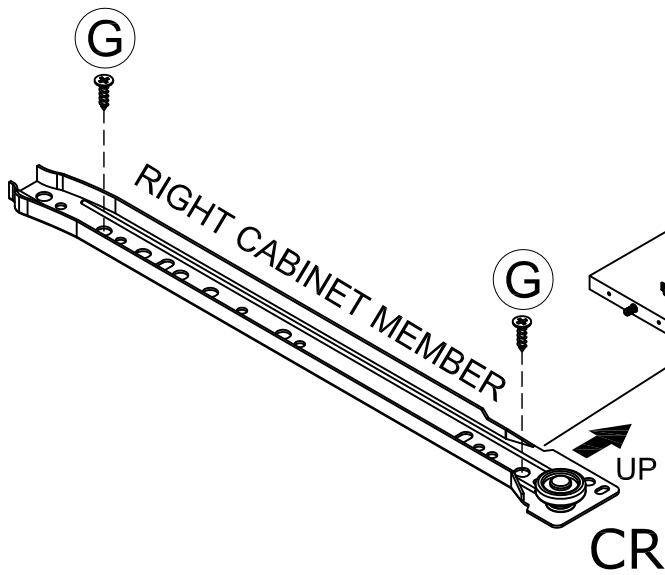


STEP10

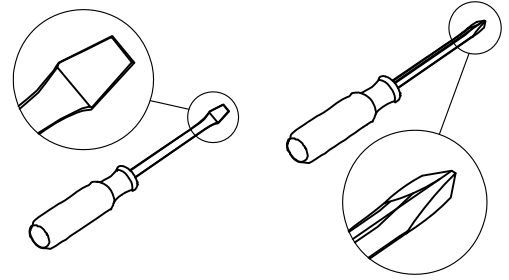
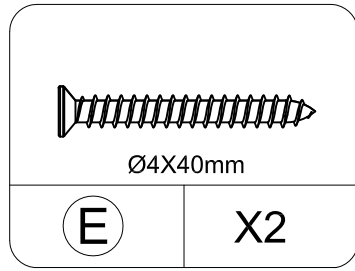
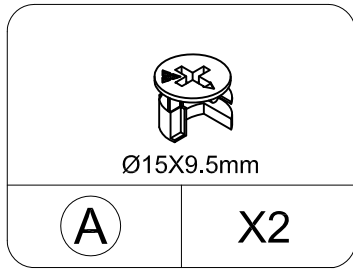


CL

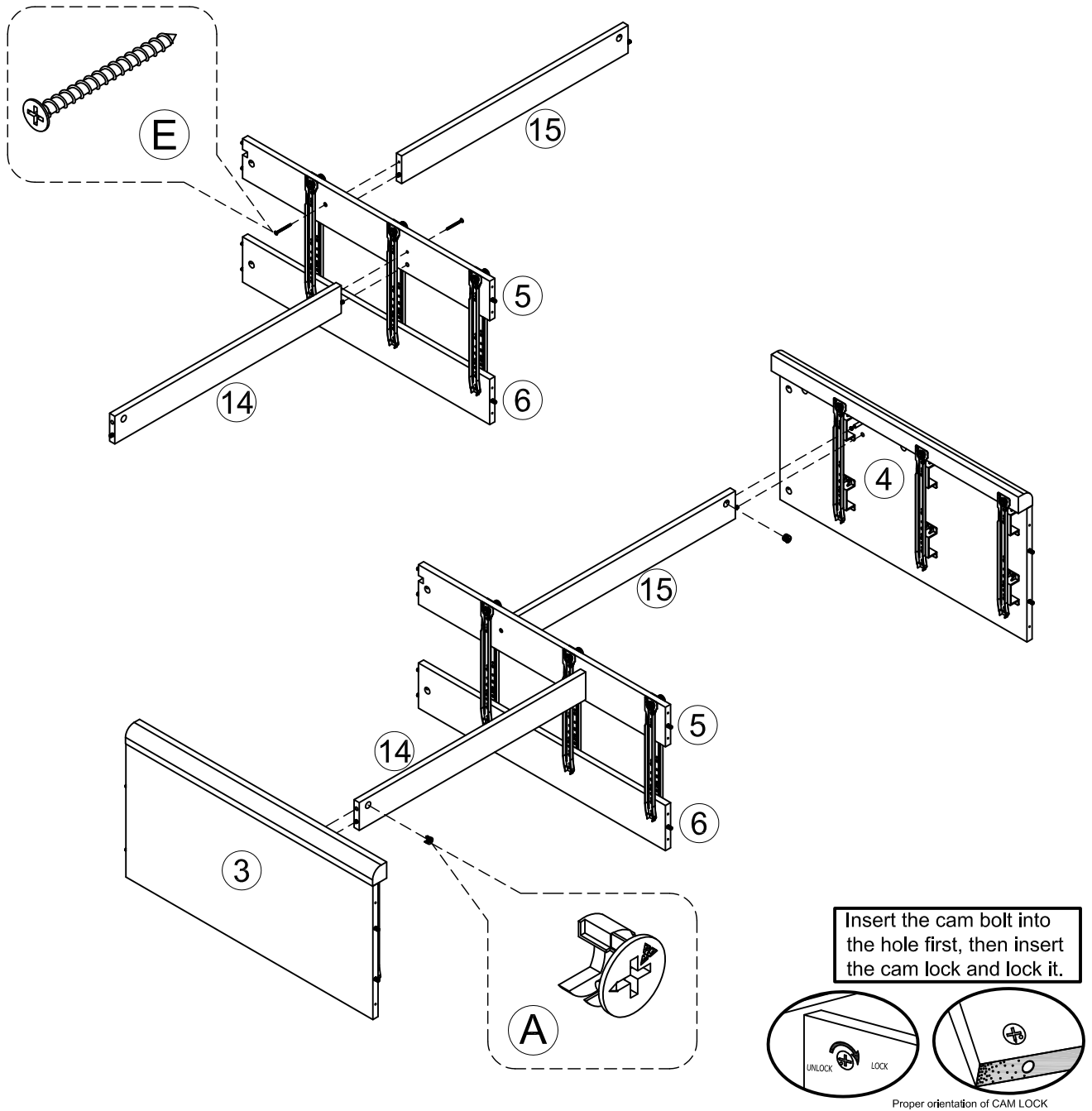
CR



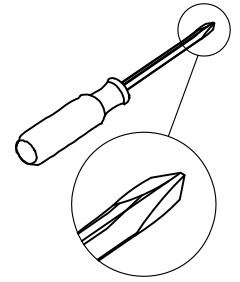
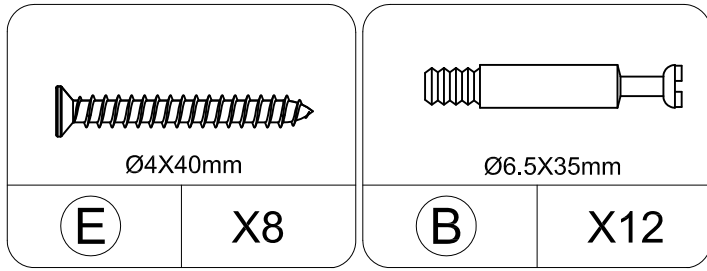
STEP 11



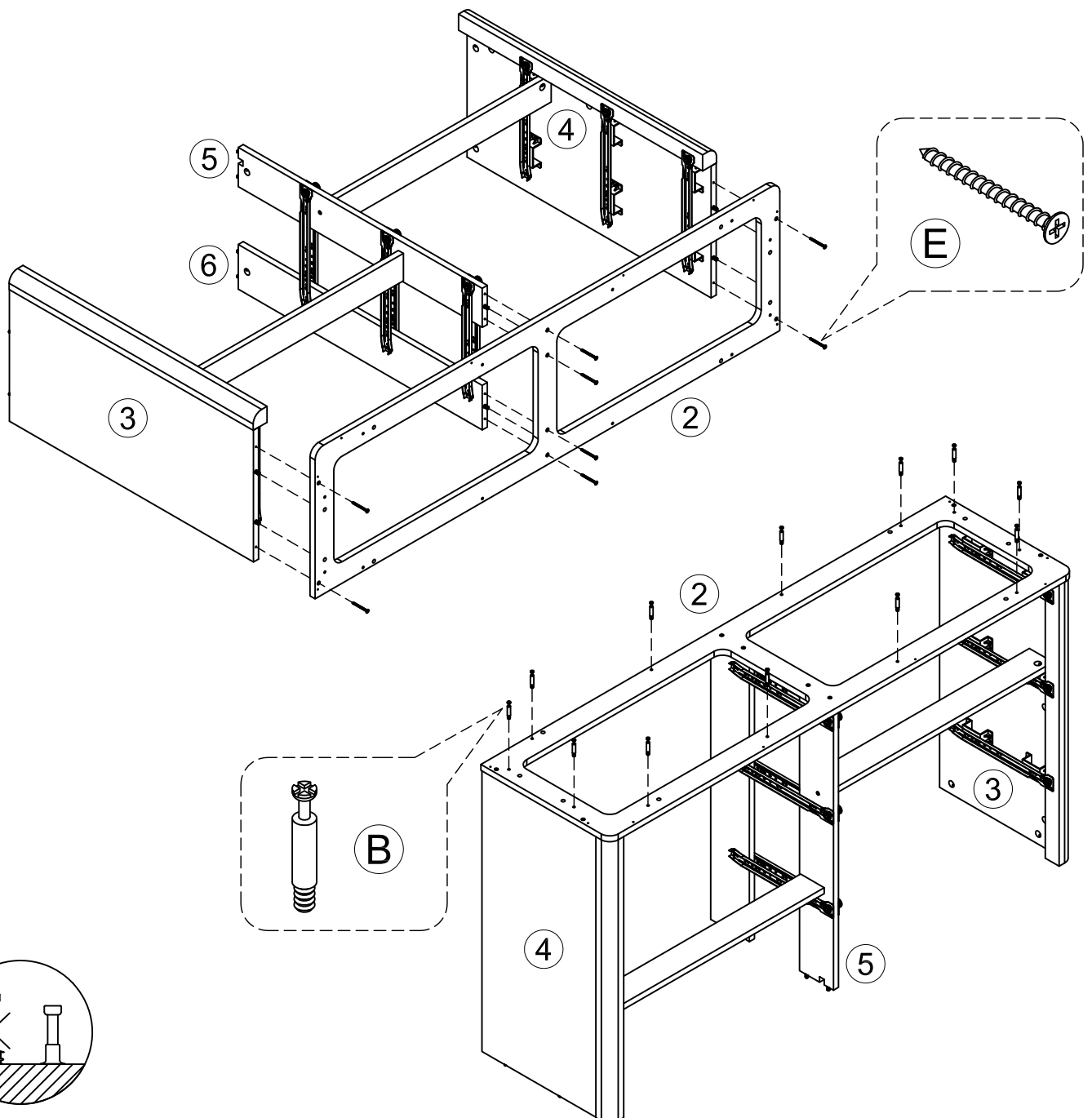
THIS STEP REQUIRES 2 PEOPLE



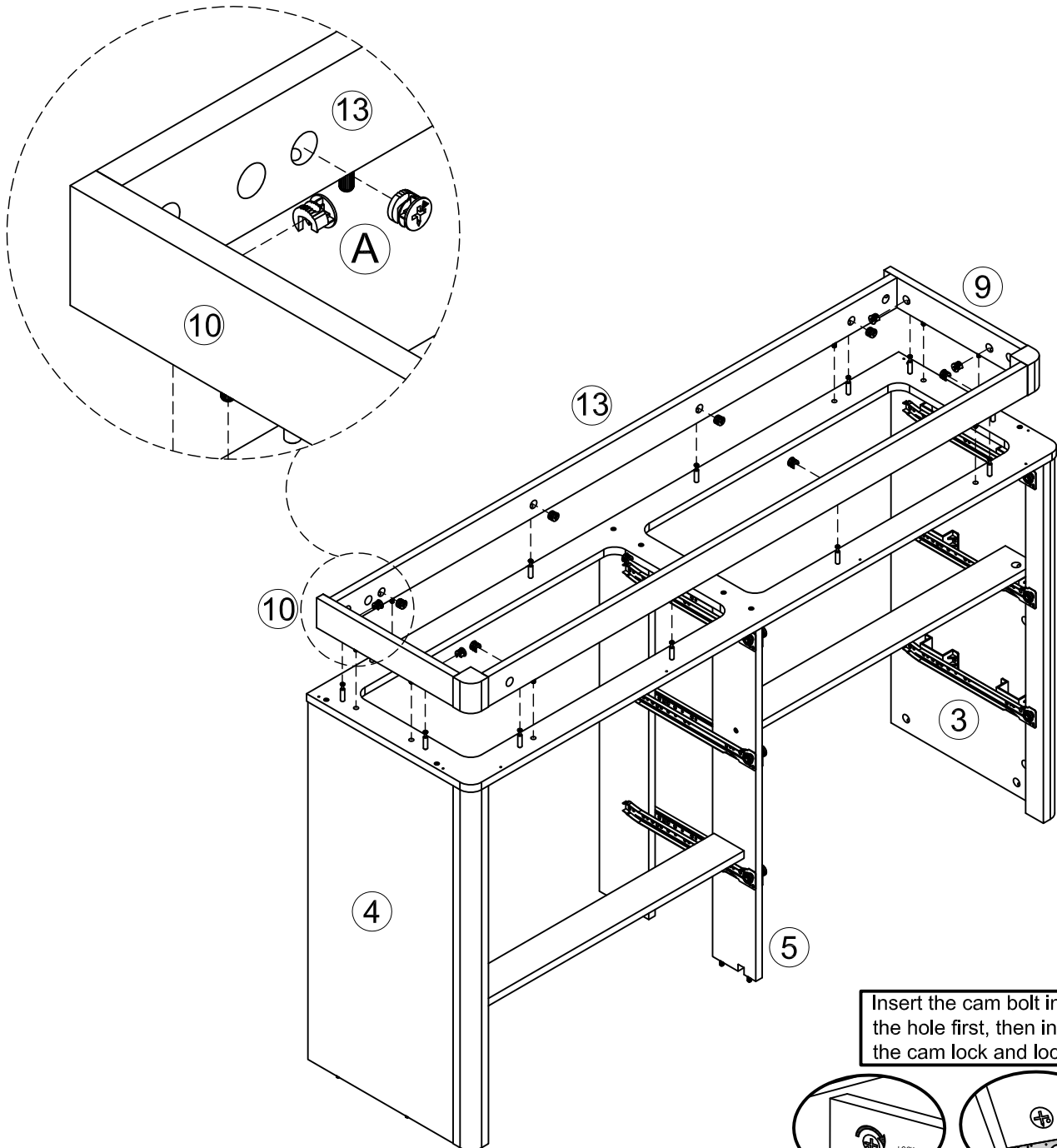
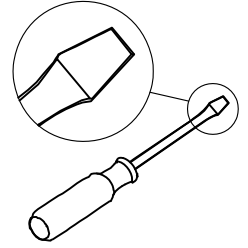
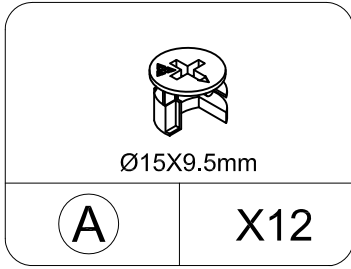
STEP 12



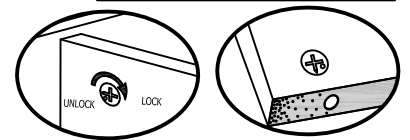
THIS STEP REQUIRES 2 PEOPLE



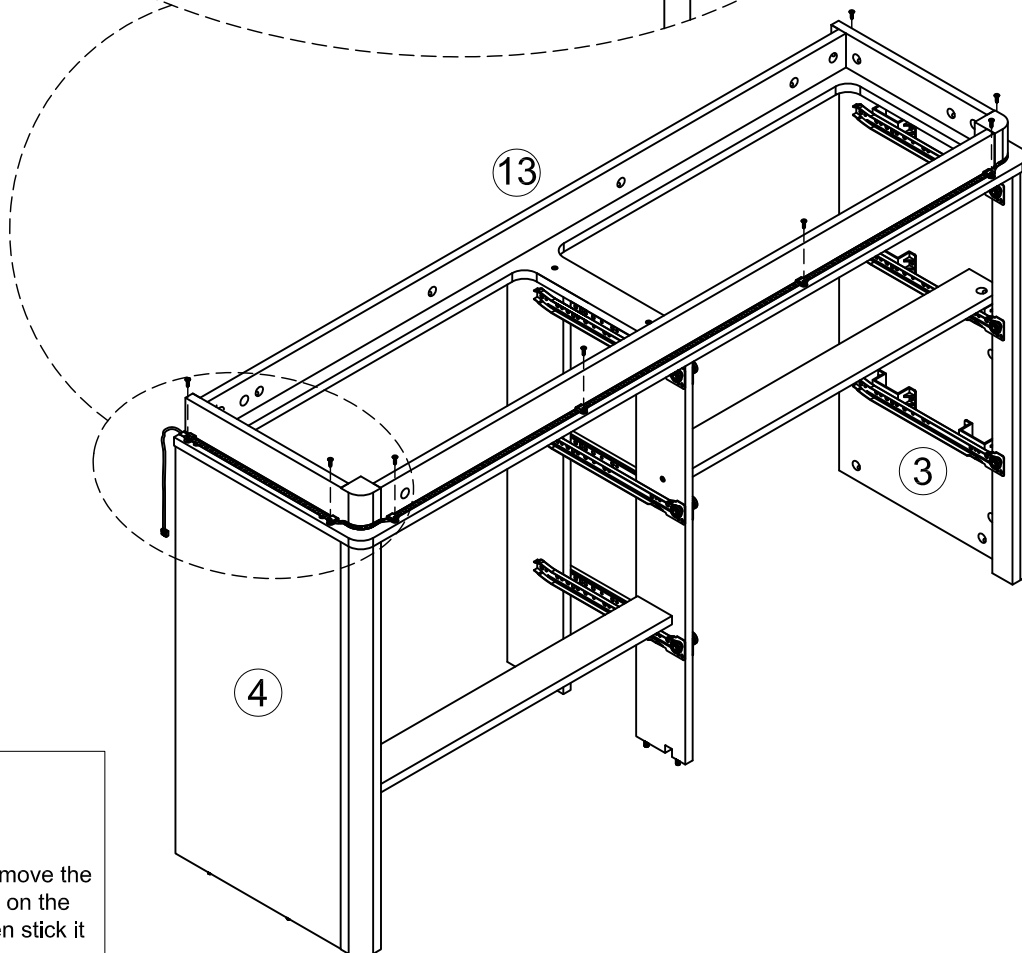
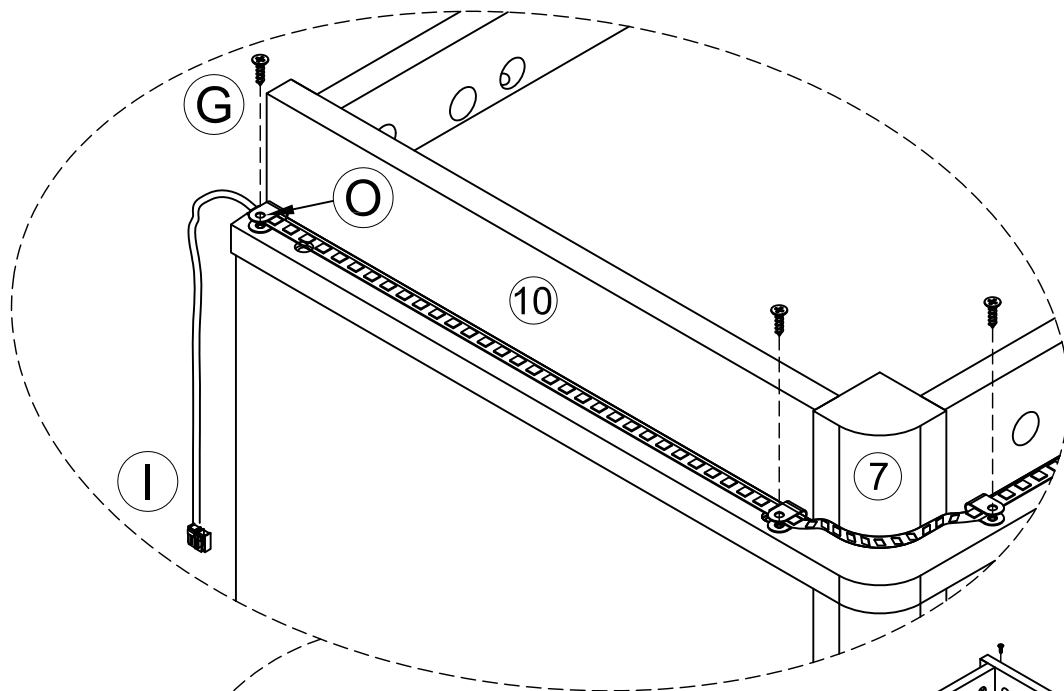
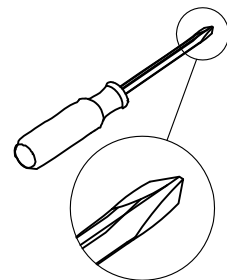
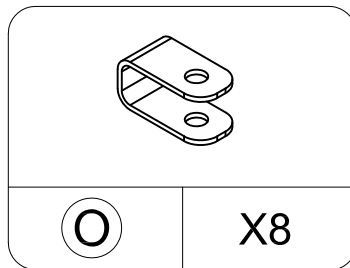
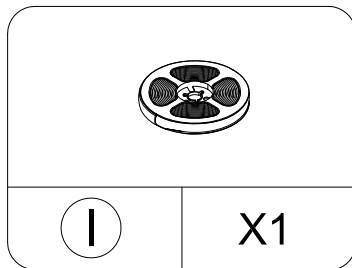
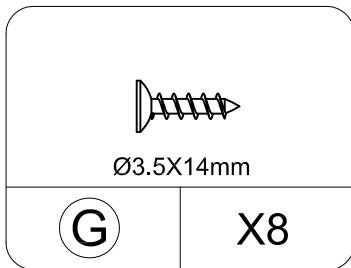
STEP 13



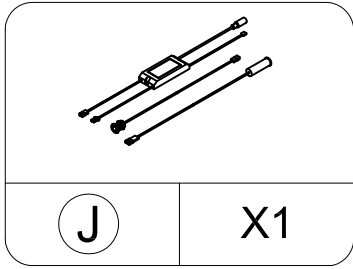
Insert the cam bolt into the hole first, then insert the cam lock and lock it.



STEP14

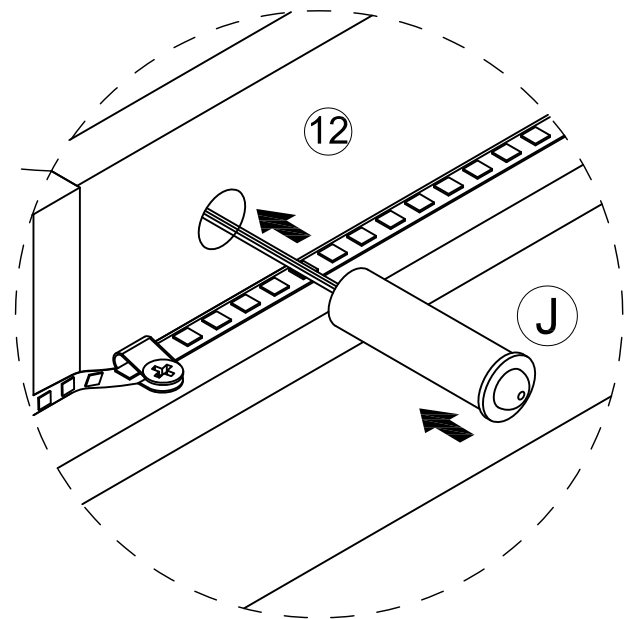
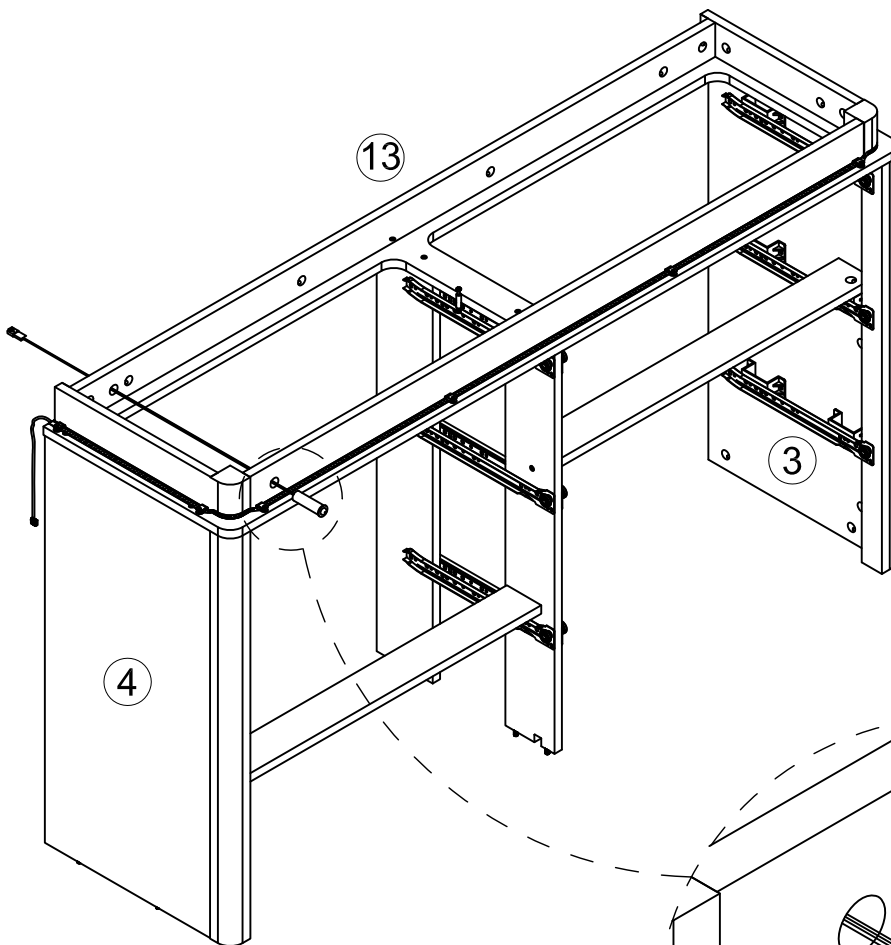


STEP 15

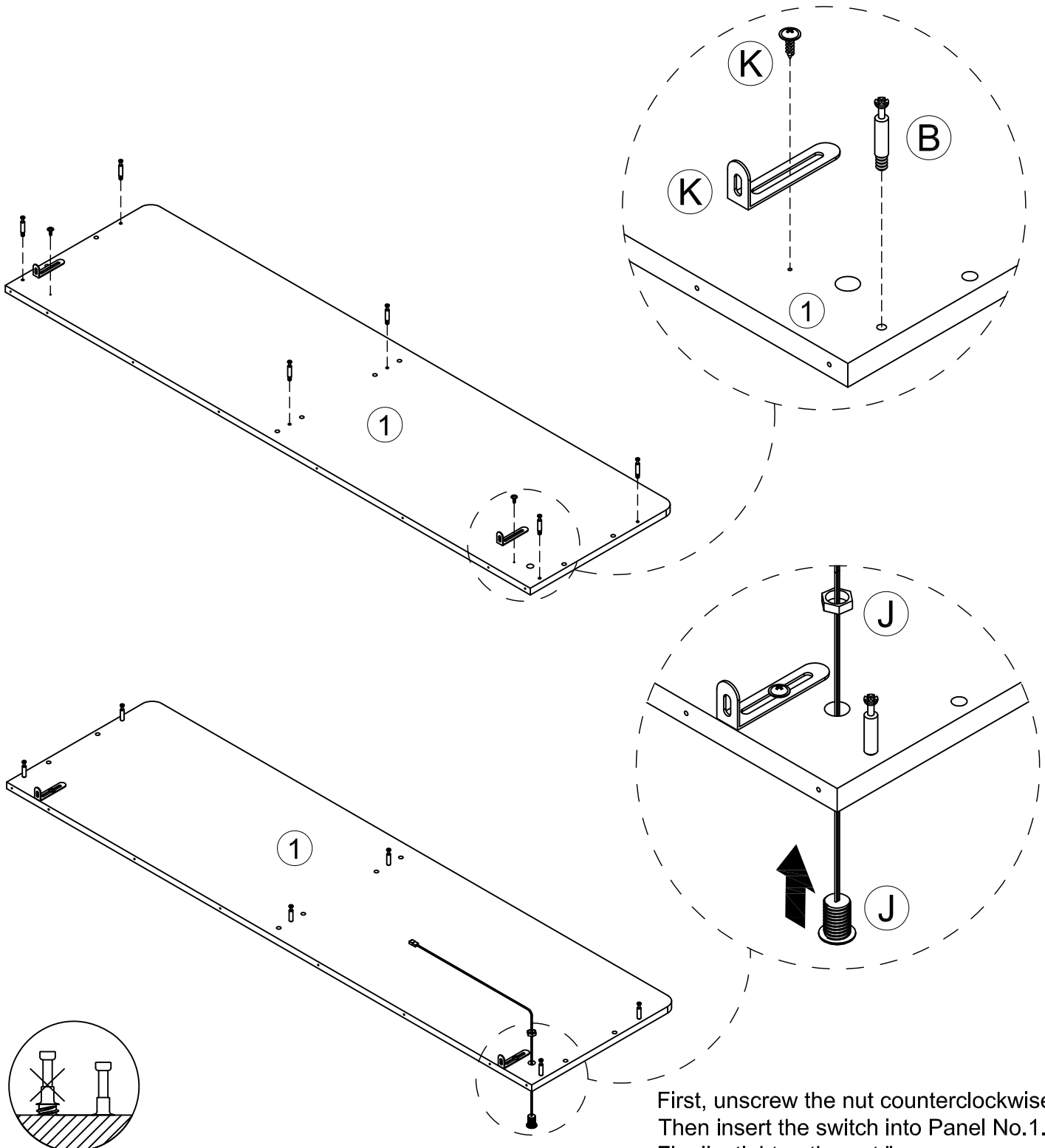
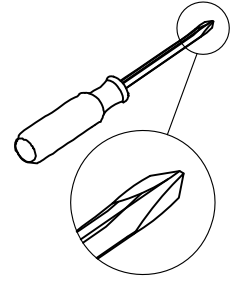
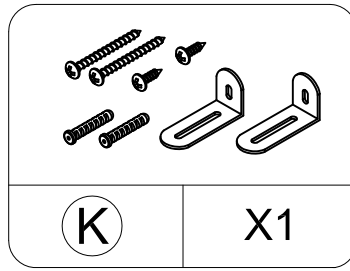
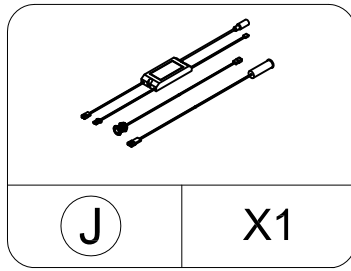
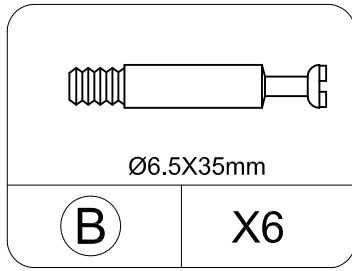


J

X1

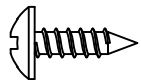


STEP16



First, unscrew the nut counterclockwise. Then insert the switch into Panel No.1. Finally, tighten the nut."

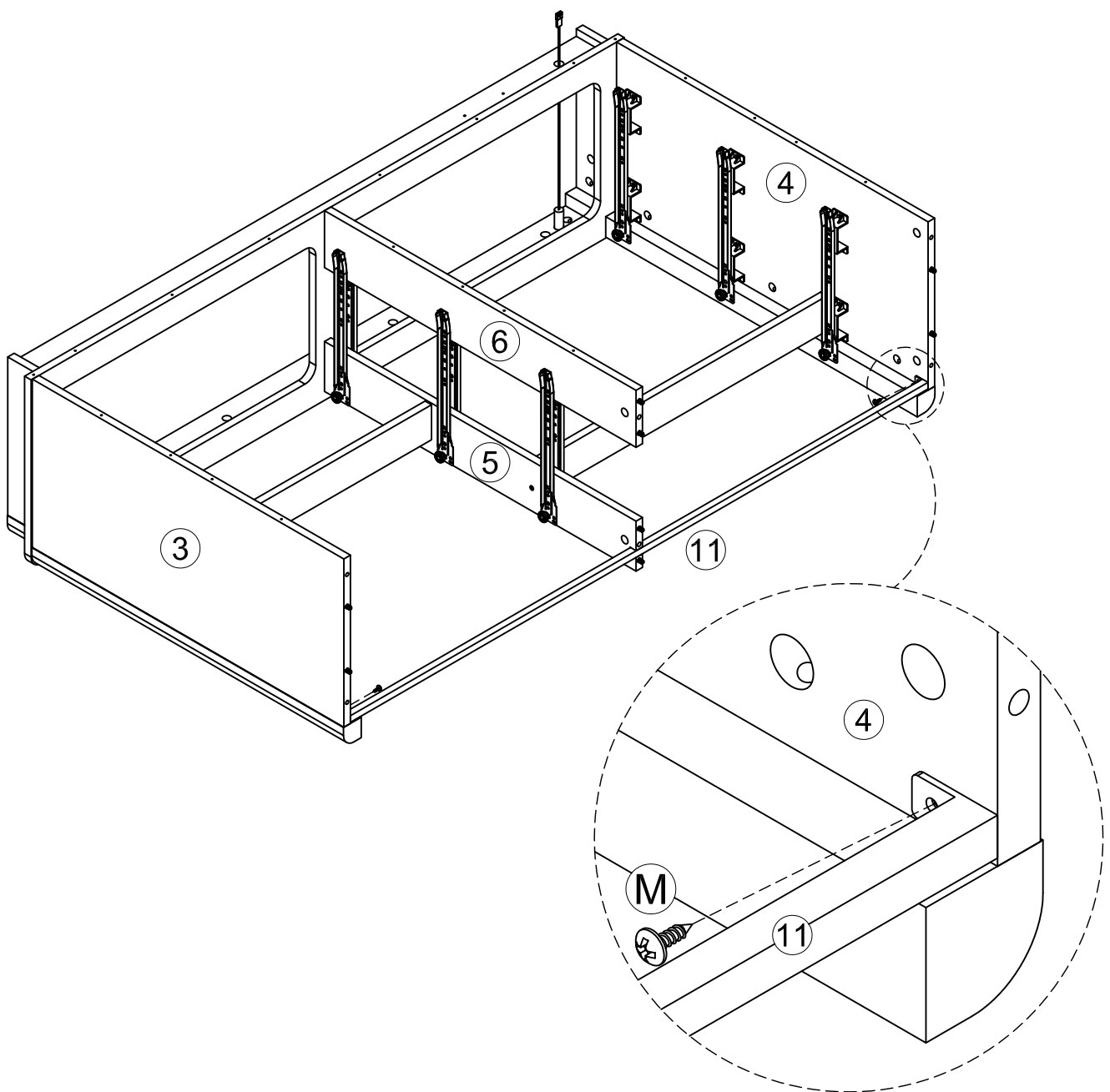
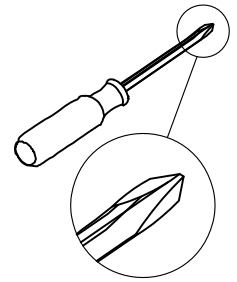
STEP 17



Ø4X14mm

M

X2



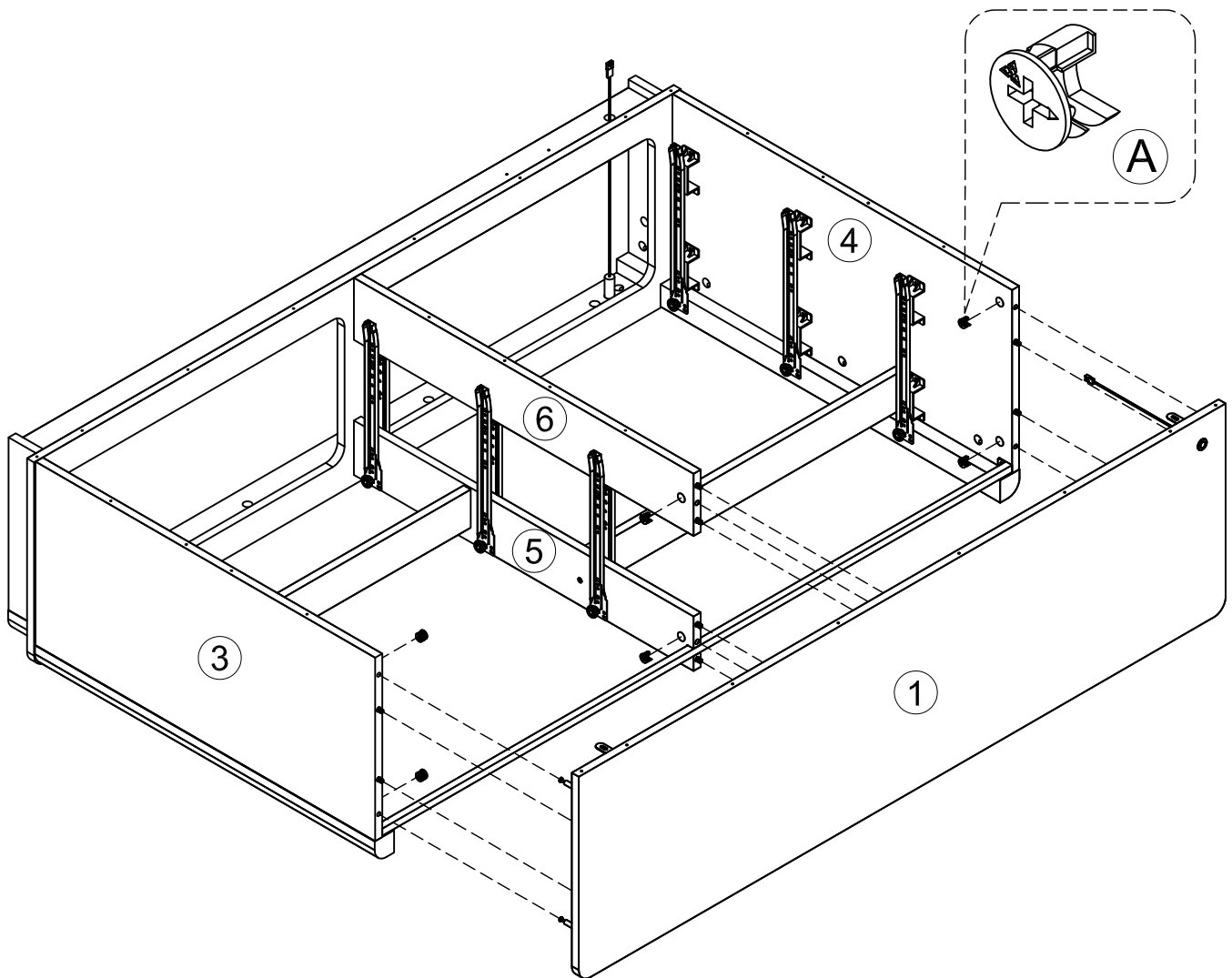
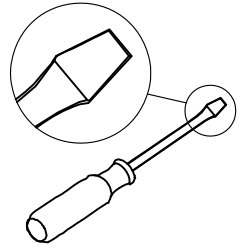
STEP 18



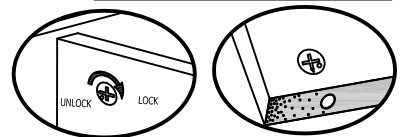
Ø15X9.5mm

A

X6

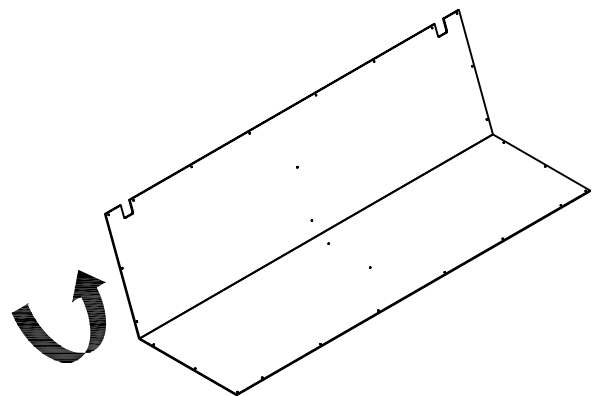
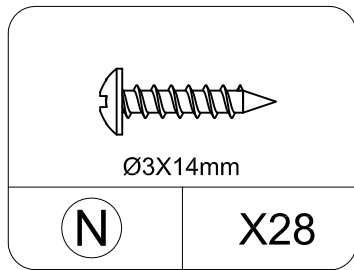


Insert the cam bolt into the hole first, then insert the cam lock and lock it.

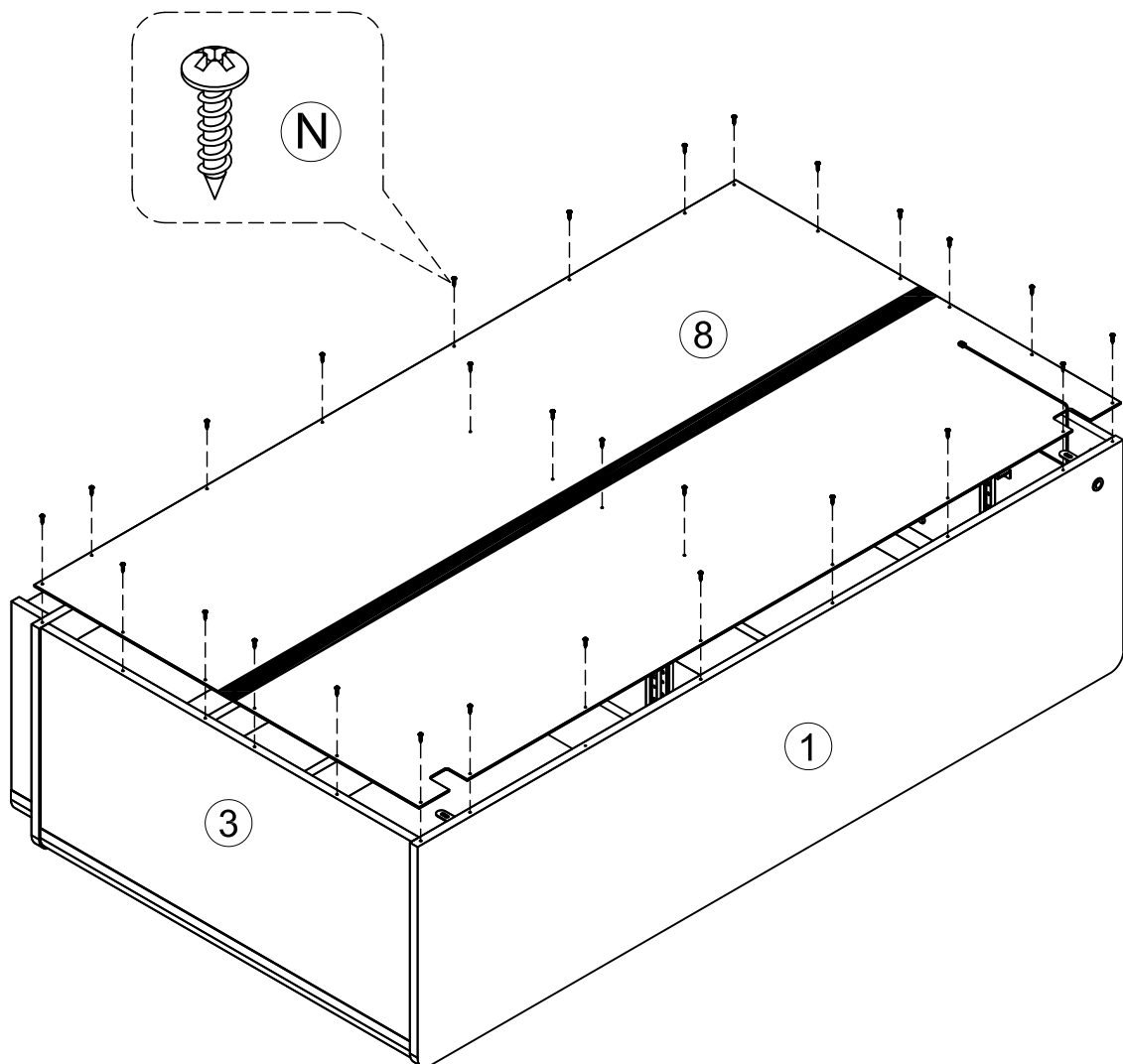


Proper orientation of CAM LOCK

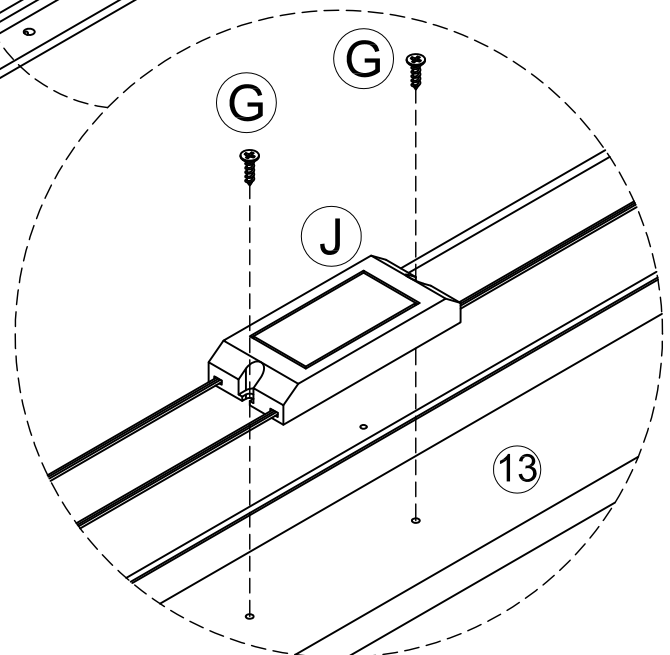
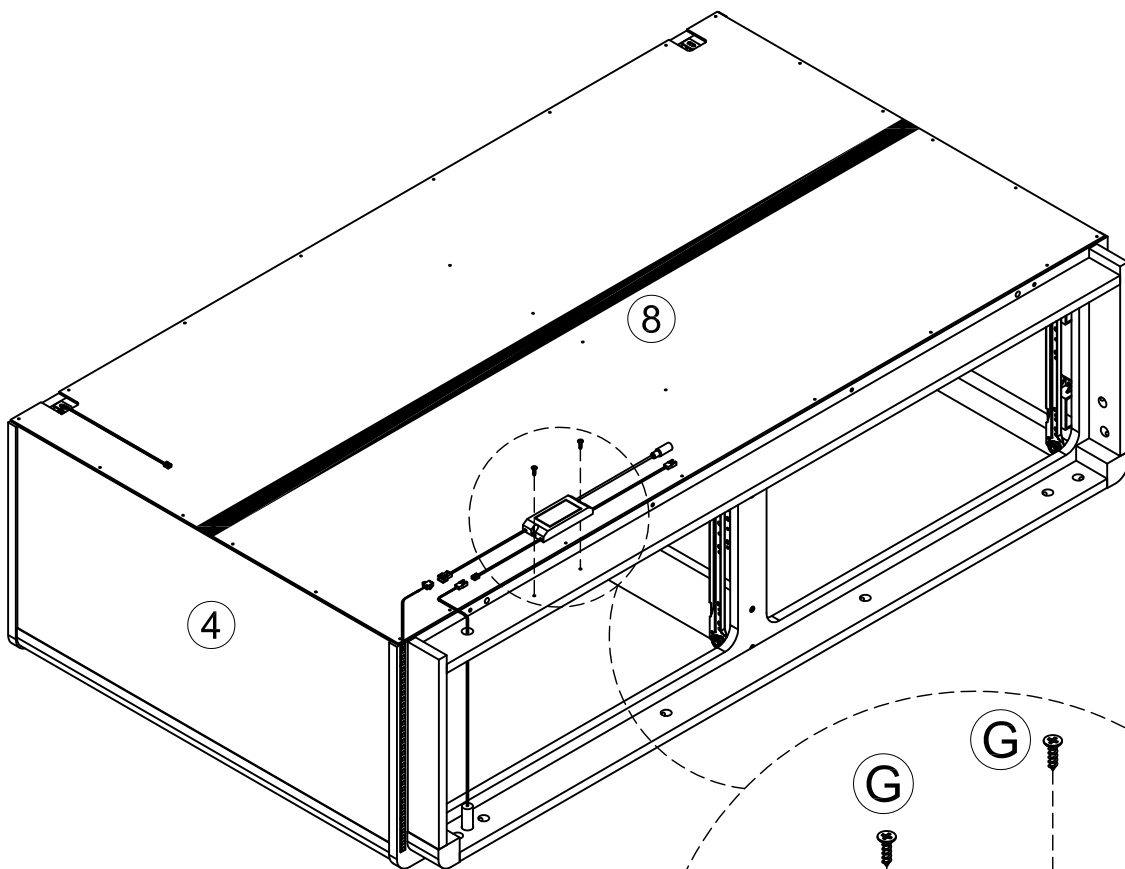
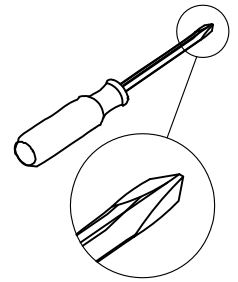
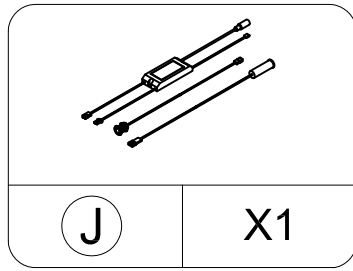
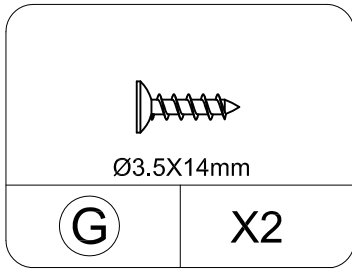
STEP 19



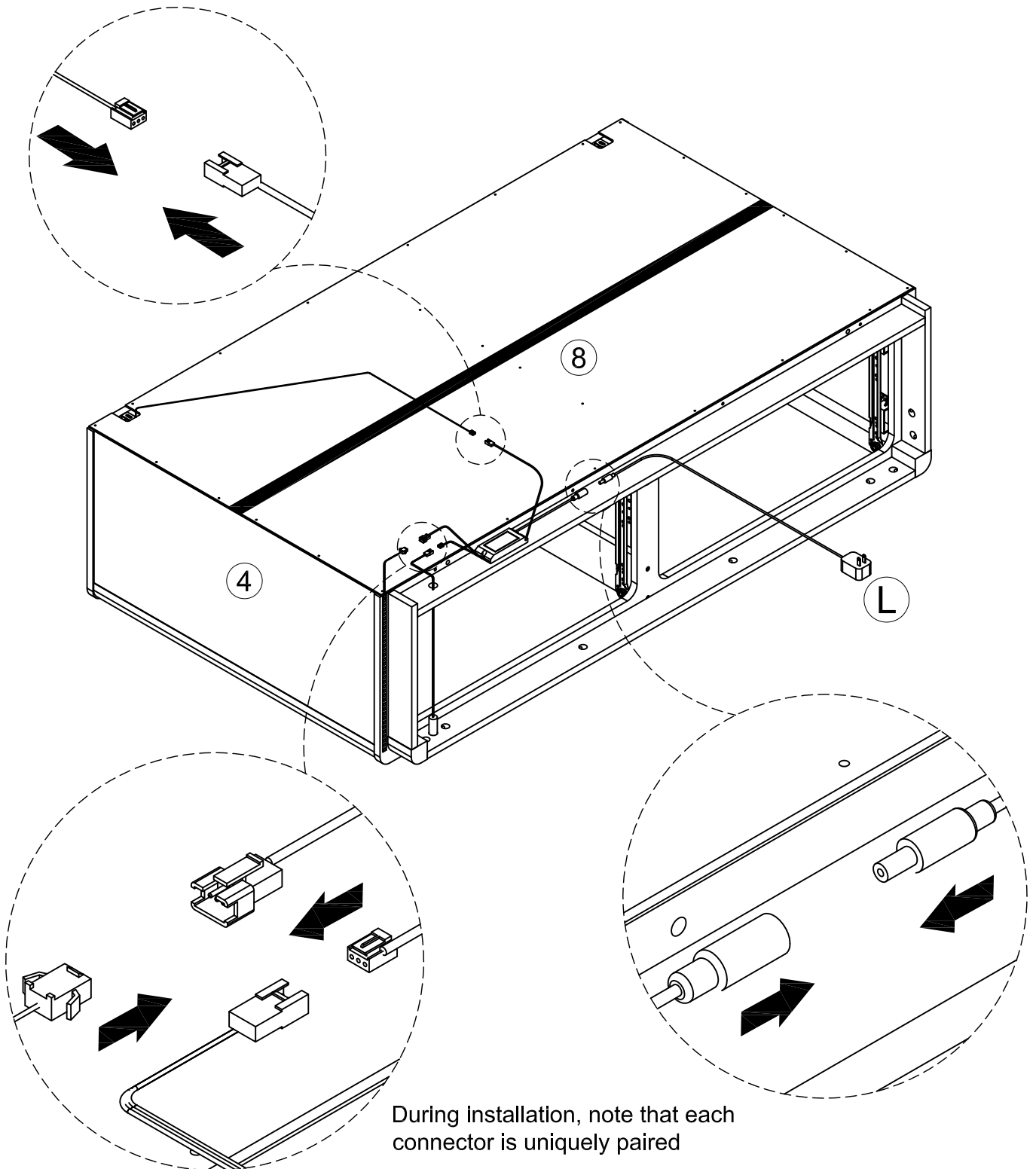
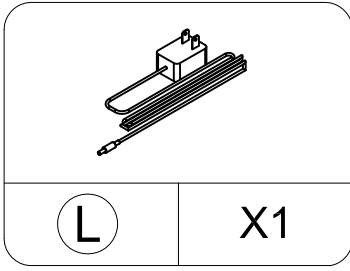
Unfold the No. 8 back panel with the adhesive side facing up for installation on the cabinet.



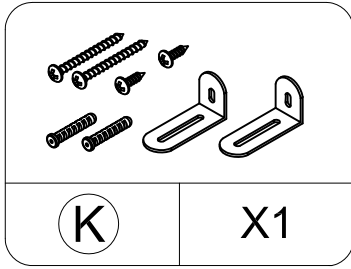
STEP20



STEP21



STEP 22

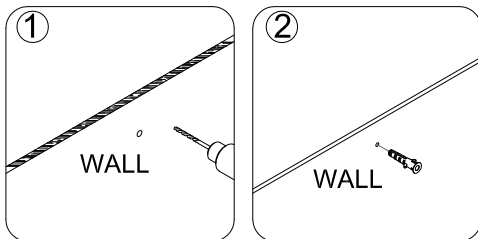


We have included a set of tipping restraint hardware for this unit. You must install this hardware to prevent accidents or injuries that can result from the unit falling. When properly installed, this restraint can provide protection against the unexpected tipping of the unit due to small tremors, bumps or climbing. We strongly recommend mounting this hardware to a wall stud and your unit.



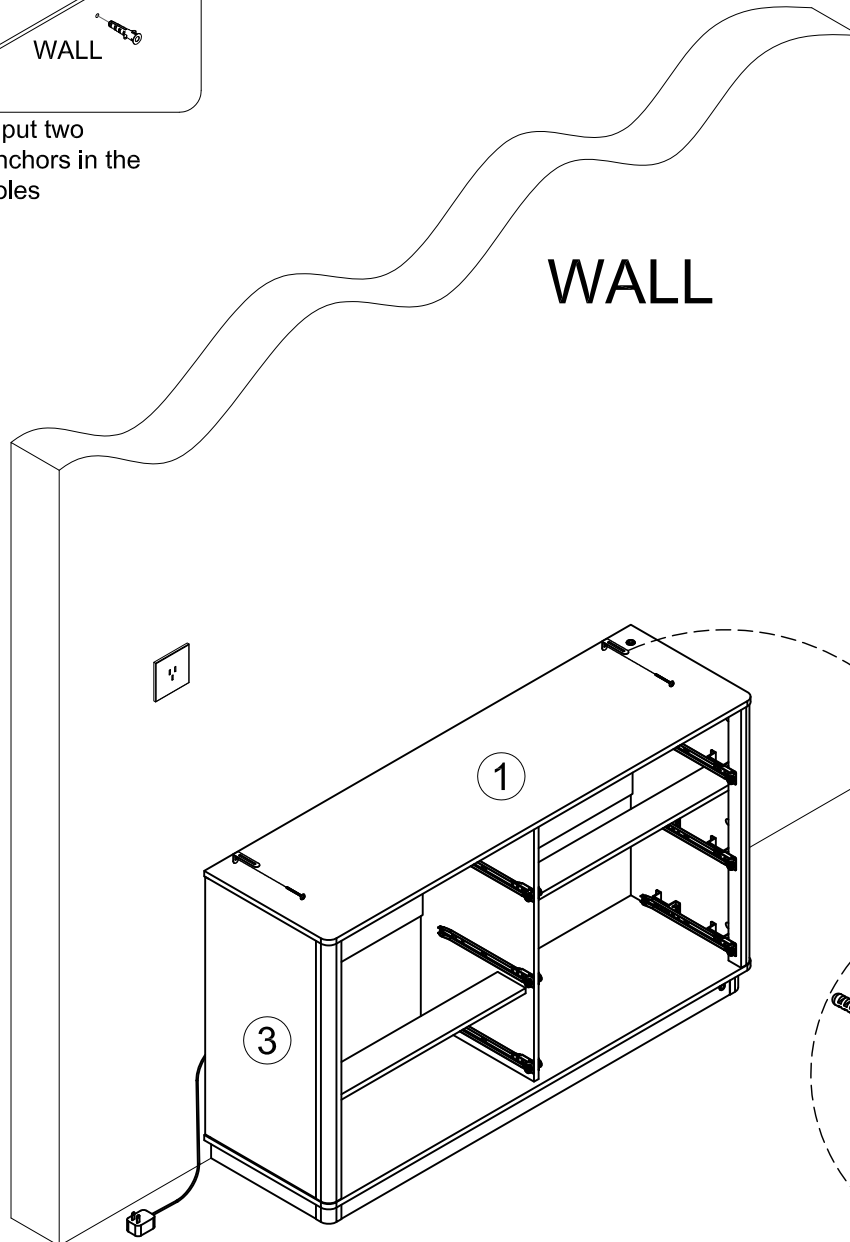
NOTE:The tipping restraint hardware included is for wooden stud wall construction. It must be attached to a wall stud. Depending upon your wall construction different anchor hardware maybe required. Please contact your local hardware store for assistance. Young children can be seriously injured by tipping furniture. You must install the tipping restraint hardware with the unit to prevent the unit from tipping, causing any accidents or damage. The tipping restraints are intended only as a deterrent and are not a substitute for proper adult supervision. The tipping restraints are not earthquake restraints. If you wish to add the extra security of earthquake restraints, they must be purchased and installed separately.

Install the tipping restraint hardware



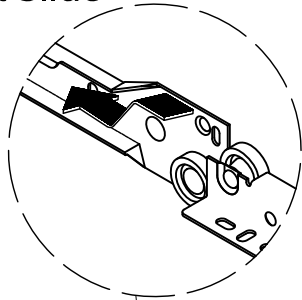
1. drill two Ø6 holes on the wall

2. put two anchors in the holes

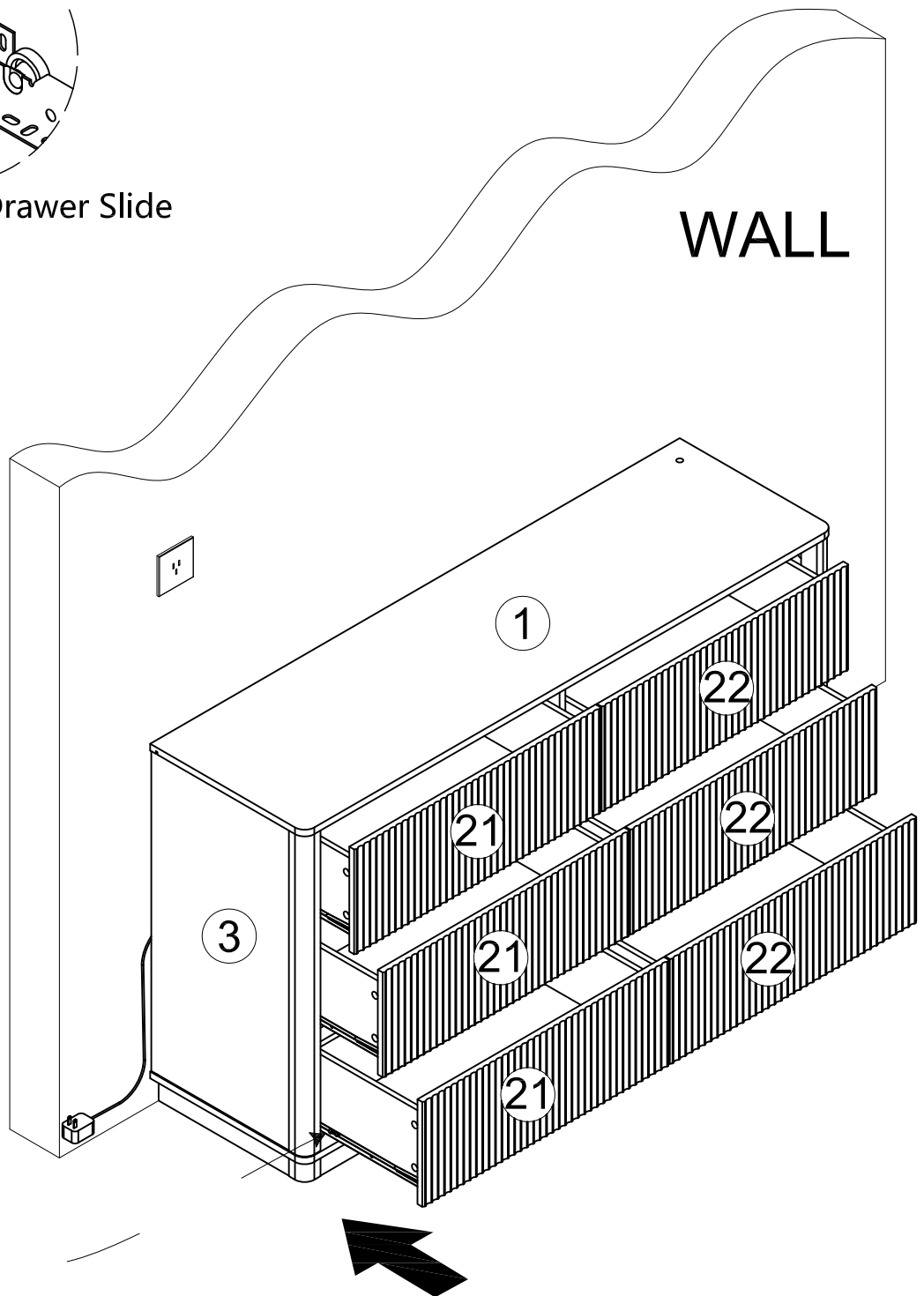


STEP23

Cabinet Slide



Drawer Slide



⚠ WARNING



Children have died from furniture tipover. To reduce the risk of furniture tipover:

- ALWAYS install anti-tip device provided.
- NEVER put a TV on this product.
- NEVER allow children to stand, climb or hang on drawers, doors, or shelves.
- NEVER open more than one drawer at a time.
- Place heaviest items in the lowest drawers.

This is a permanent label.

Do not remove!

⚠ AVERTISSEMENT



Des enfants sont décédés à cause du basculement du meuble.

Pour réduire le risque de la chute du meuble :

- TOUJOURS installer le dispositif anti-basculement fourni.
- NE JAMAIS mettre un téléviseur sur ce produit.
- NE JAMAIS laisser les enfants se tenir debout, grimper ni s'accrocher sur les tiroirs, les portes ou les tablettes.
- NE JAMAIS ouvrir plus d'un tiroir à la fois.
- Placer les articles les plus lourds sur les tiroirs inférieurs.

Cette étiquette est permanente.

Ne pas retirer !

⚠ ADVERTENCIA



Los niños han muerto por el vuelco de los muebles. Para reducir el peligro de el mueble se vuelca:

- SIEMPRE instalar el dispositivo anti-volcadura suministrado.
- NUNCA ponga un televisor en este producto.
- NUNCA permita que los niños se paren, se suban o se cuelguen de los cajones, puertas o repisas.
- NUNCA abra más de un cajón a la vez.
- Coloque los artículos más pesados en los cajones inferiores.

Esta es una etiqueta permanente.

¡No quitar!